



US00D784495S

(12) **United States Design Patent**  
**Pearson et al.**

(10) **Patent No.:** **US D784,495 S**

(45) **Date of Patent:** **\*\* Apr. 18, 2017**

(54) **FLUID LINE CONNECTOR**

(71) Applicants: **James E. Pearson**, Downers Grove, IL (US); **Mark A. Hentschel**, Elburn, IL (US)

(72) Inventors: **James E. Pearson**, Downers Grove, IL (US); **Mark A. Hentschel**, Elburn, IL (US)

(73) Assignee: **Robertshaw Controls Company**, Itasca, IL (US)

(\*\*) Term: **14 Years**

(21) Appl. No.: **29/512,393**

(22) Filed: **Dec. 18, 2014**

(51) **LOC (10) Cl.** ..... **23-01**

(52) **U.S. Cl.**  
USPC ..... **D23/249**

(58) **Field of Classification Search**  
USPC ..... 285/328, 275, 92, 276, 272, 258, 357;  
137/15.09, 359, 355.26, 798; 4/695, 676;  
336/192; D24/129; D23/262, 249, 260  
CPC ..... F16K 5/0478; F16K 35/10; F16K 31/122;  
F16K 1/46; F16K 27/003; F16K 5/00  
See application file for complete search history.

(56) **References Cited**

U.S. PATENT DOCUMENTS

D128,314 S	*	7/1941	Kelly	.....	D23/262
D551,075 S	*	9/2007	Puller	.....	D9/447
D612,021 S	*	3/2010	Schmidt	.....	D23/262
D627,039 S	*	11/2010	Yu	.....	D23/260
D639,398 S	*	6/2011	Wilhelm	.....	D23/262
D642,244 S	*	7/2011	Wilhelm	.....	D23/262
D667,959 S	*	9/2012	Lin	.....	D24/224

(Continued)

*Primary Examiner* — Cynthia Ramirez

*Assistant Examiner* — Gino Colan

(74) *Attorney, Agent, or Firm* — Reinhart Boerner Van Deuren P.C.

(57) **CLAIM**

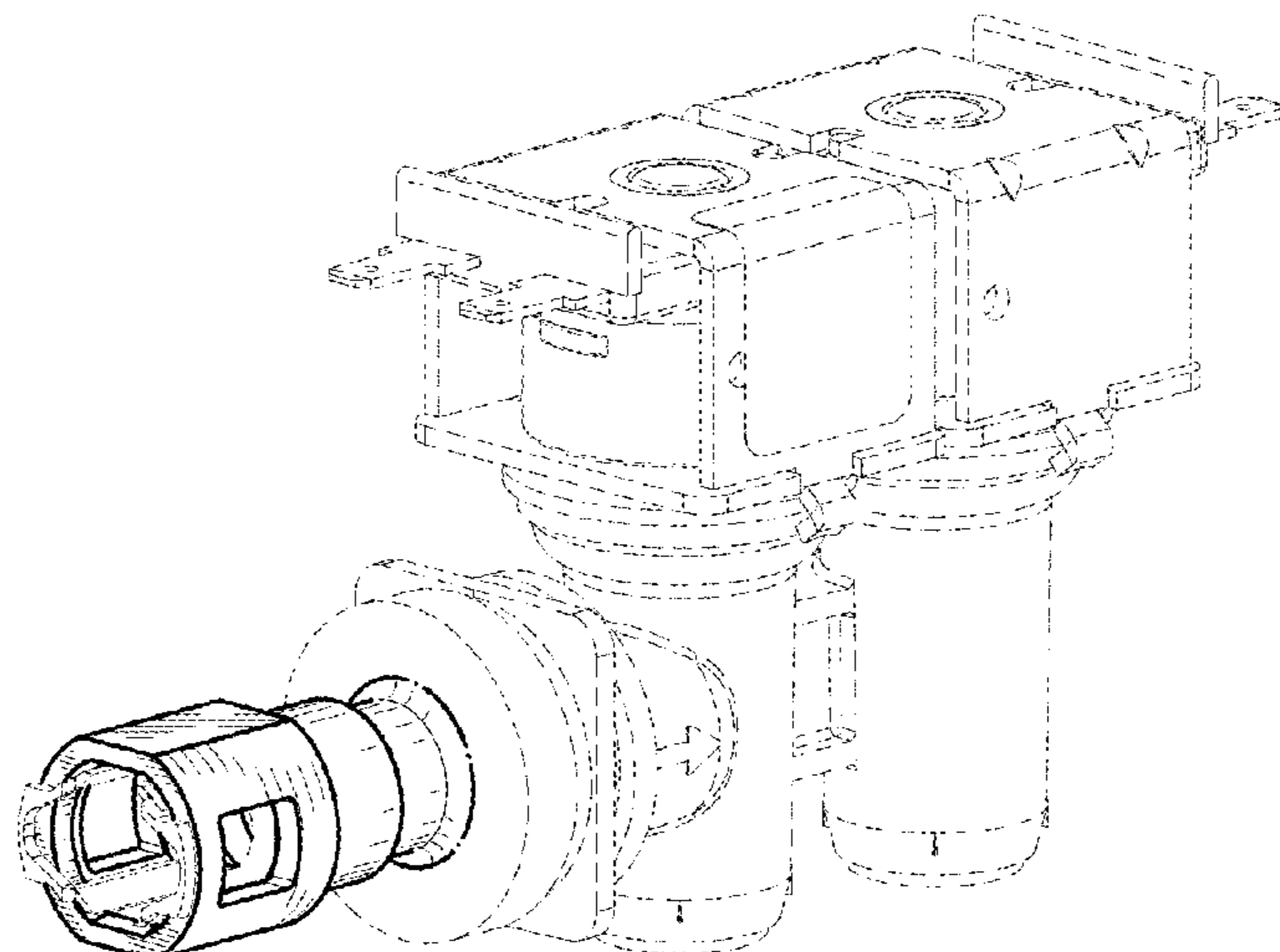
We claim the ornamental design for the fluid line connector, as shown and described.

**DESCRIPTION**

FIG. 1 is a perspective view of the fluid line connector shown in the context of environmental structure;  
 FIG. 2 is another perspective view thereof;  
 FIG. 3 is a side view thereof;  
 FIG. 4 is a side view thereof showing the side opposite that shown in FIG. 3;  
 FIG. 5 is a front view thereof;  
 FIG. 6 is a back view thereof;  
 FIG. 7 is a top view thereof;  
 FIG. 8 is a bottom view thereof;  
 FIG. 9 is a perspective view of the fluid line connector shown without the environmental structure shown in FIGS. 1-8 for clarity;  
 FIG. 10 is another perspective view thereof;  
 FIG. 11 is a side view thereof;  
 FIG. 12 is a side view thereof showing the side opposite that shown in FIG. 11;  
 FIG. 13 is a front view thereof;  
 FIG. 14 is a back view thereof;  
 FIG. 15 is a top view thereof;  
 FIG. 16 is a bottom view thereof;  
 FIG. 17 is a perspective view thereof; and,  
 FIG. 18 is another perspective view thereof.

The broken lines showing a clip and other portions of the fluid line connector in the figures are included for the purpose of illustrating portions of the fluid line connector and form no part of the claimed design. The dash-dot lines immediately adjacent the shaded areas represent claim boundaries and form no part of the claimed design. The broken lines shown in the figures are also for the purpose of illustrating environmental structure and form no part of the claimed design.

**1 Claim, 7 Drawing Sheets**



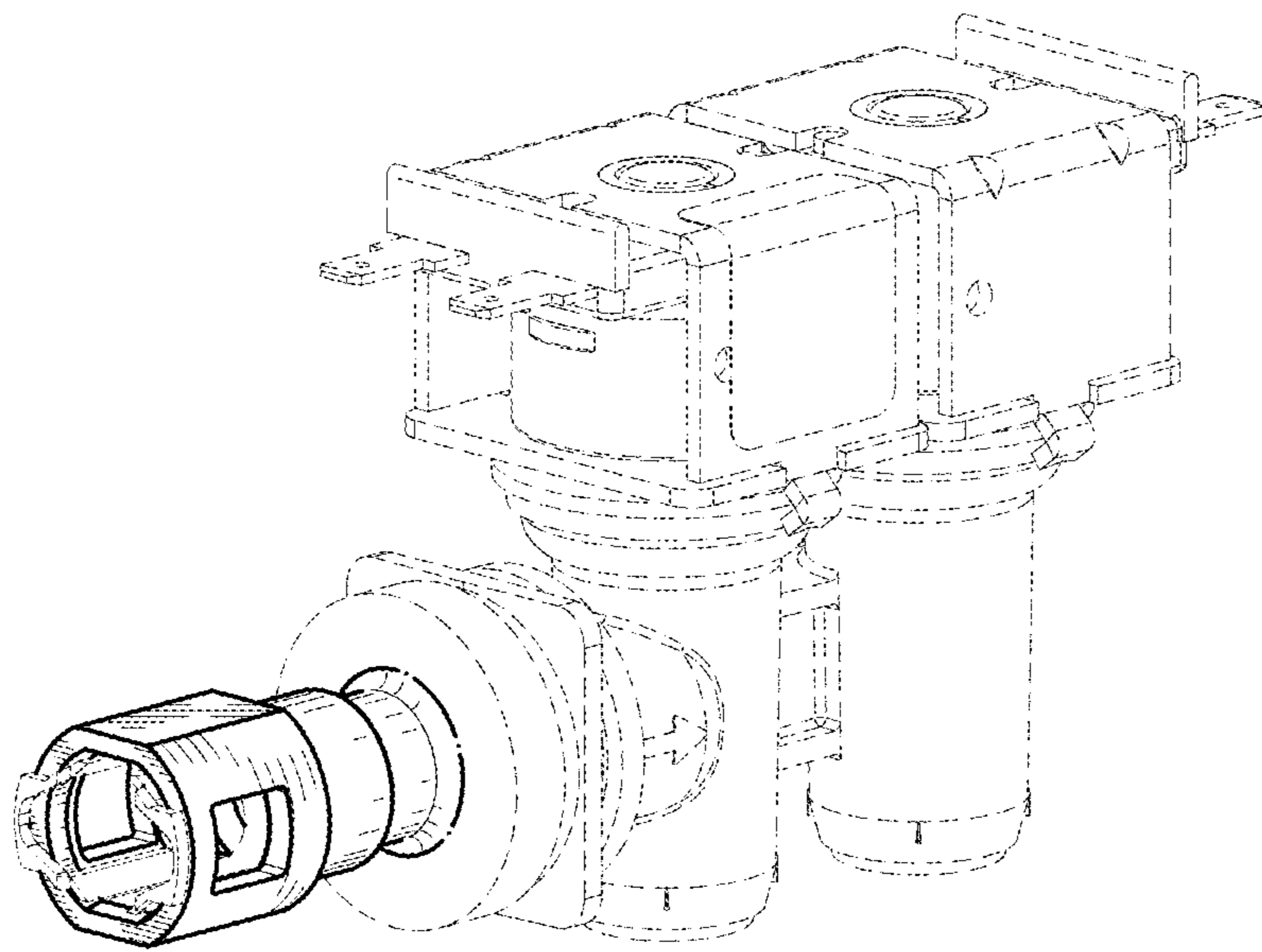
(56)

**References Cited**

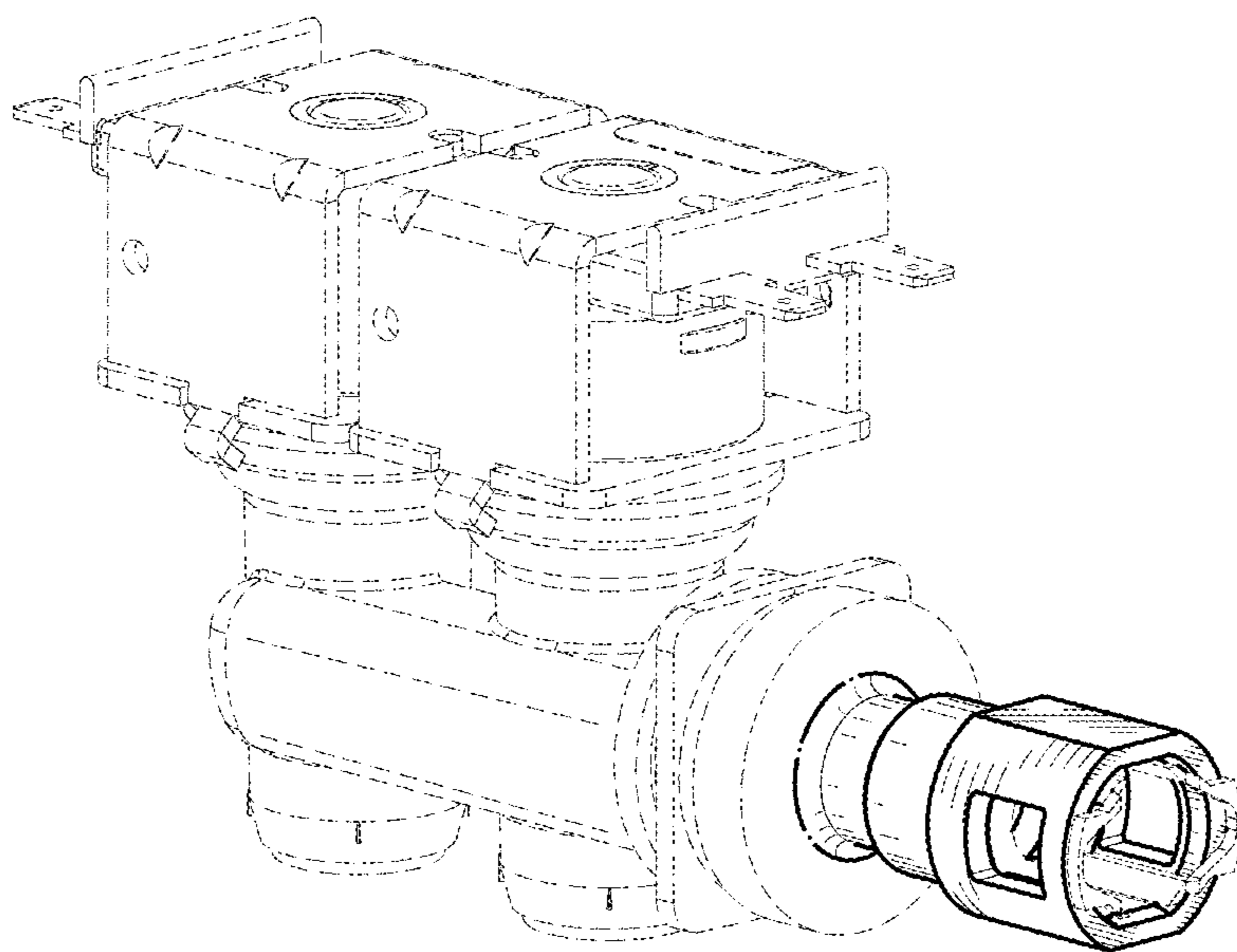
U.S. PATENT DOCUMENTS

D687,528 S \* 8/2013 Meyer ..... D23/262  
2010/0276922 A1 \* 11/2010 Rehder ..... F16L 37/0841  
285/26  
2013/0099480 A1 \* 4/2013 Grziwok ..... F16L 33/213  
285/258

\* cited by examiner



**FIG. 1**



**FIG. 2**

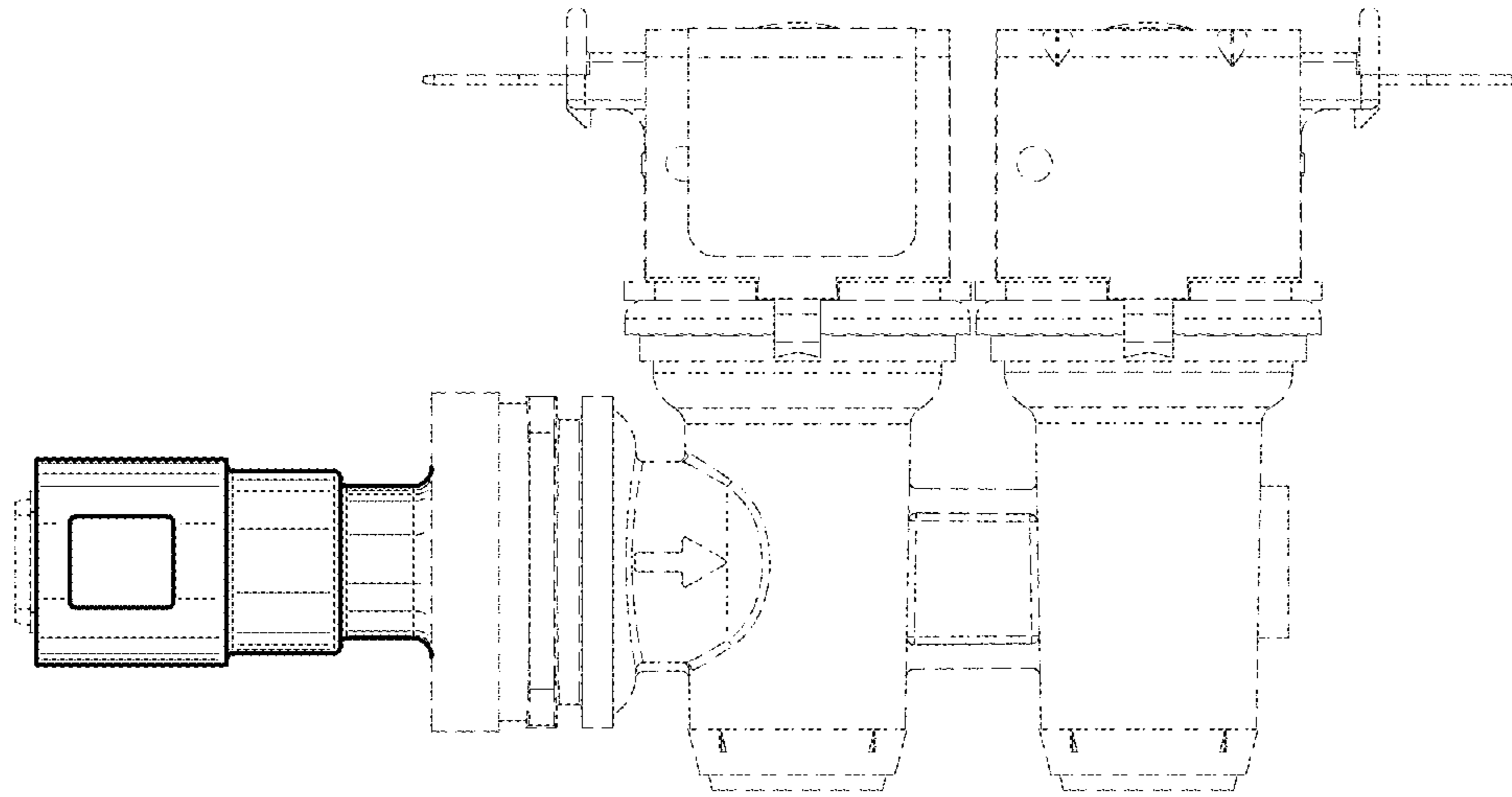


FIG. 3

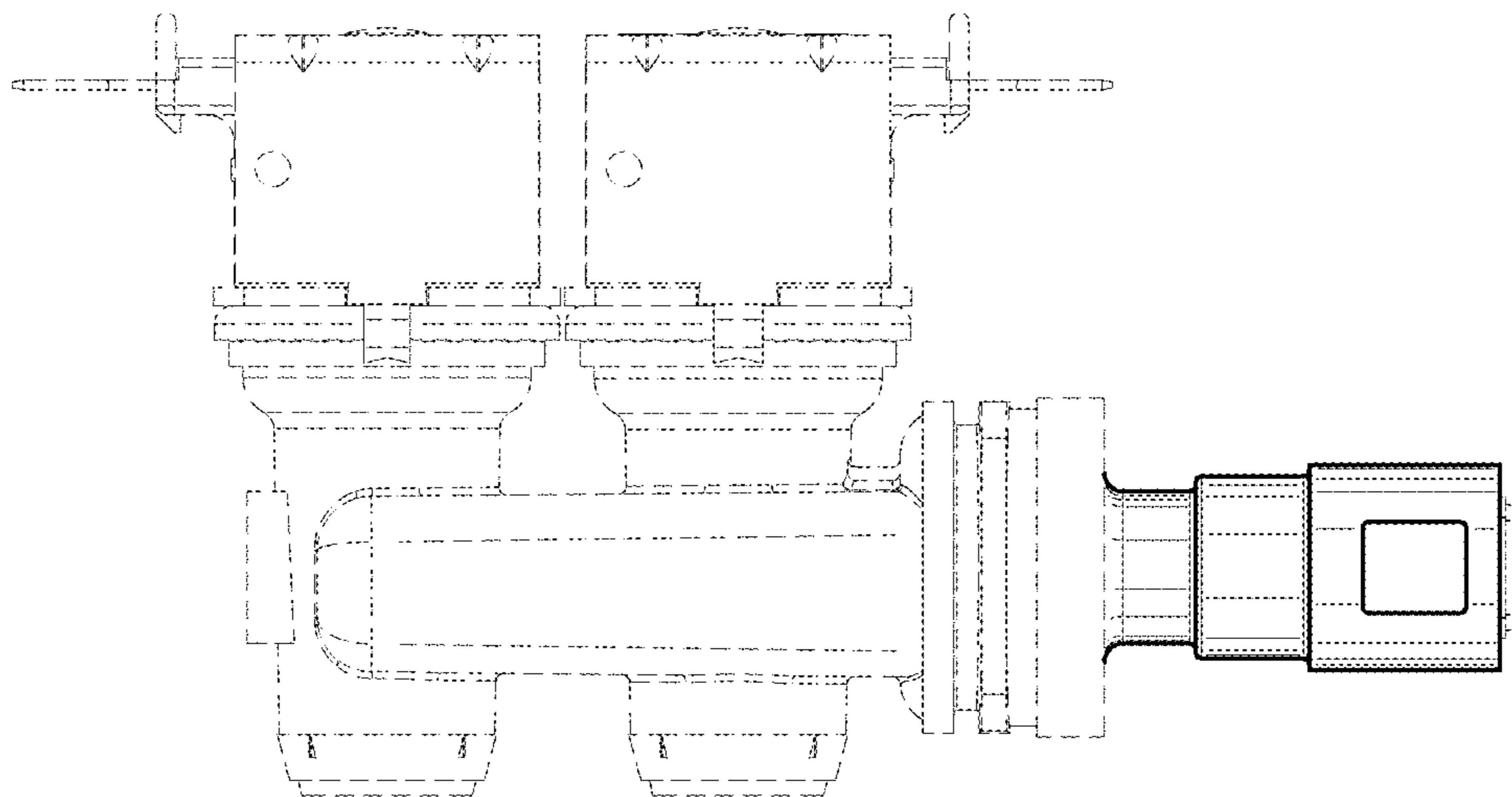


FIG. 4

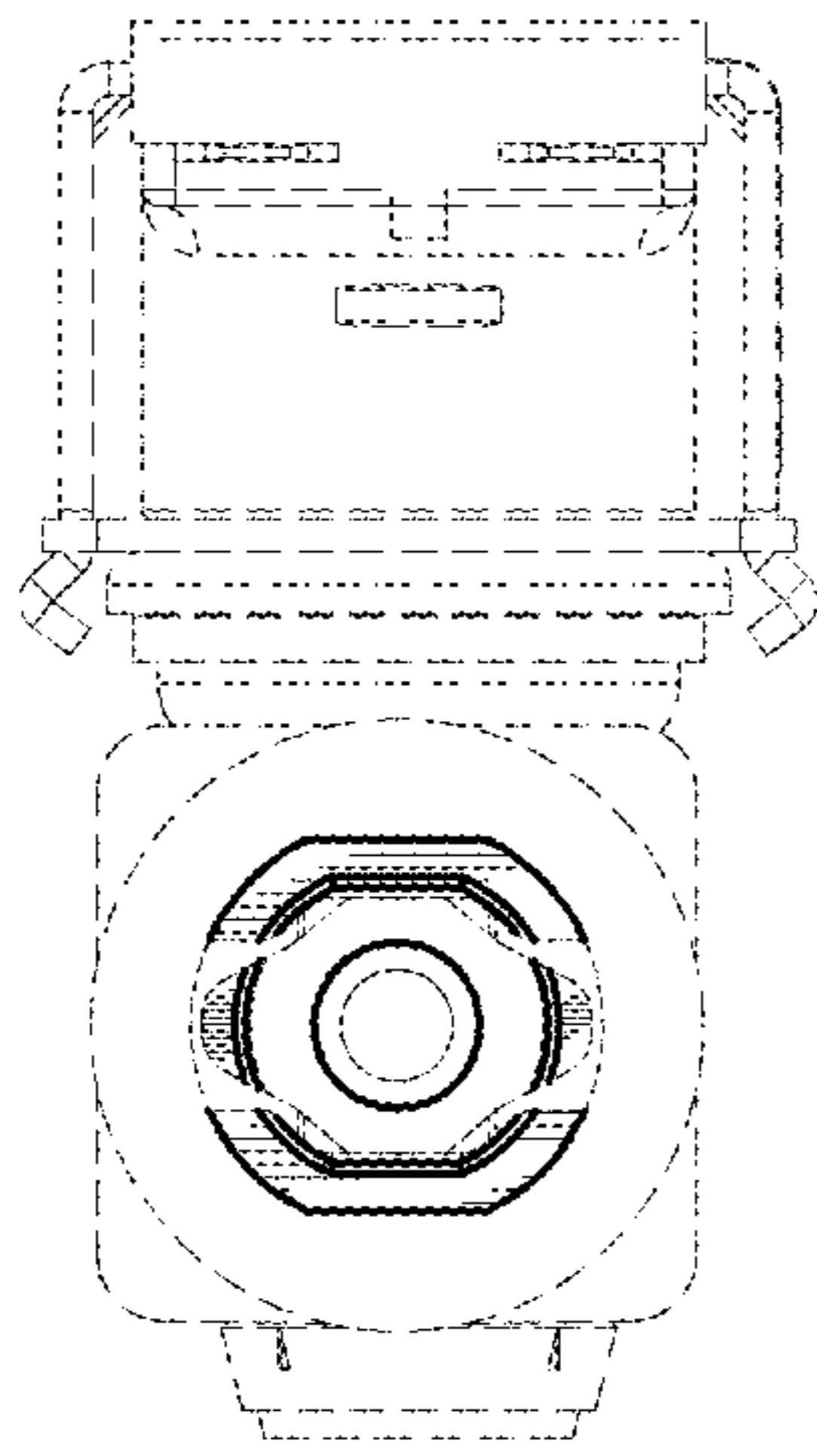


FIG. 5

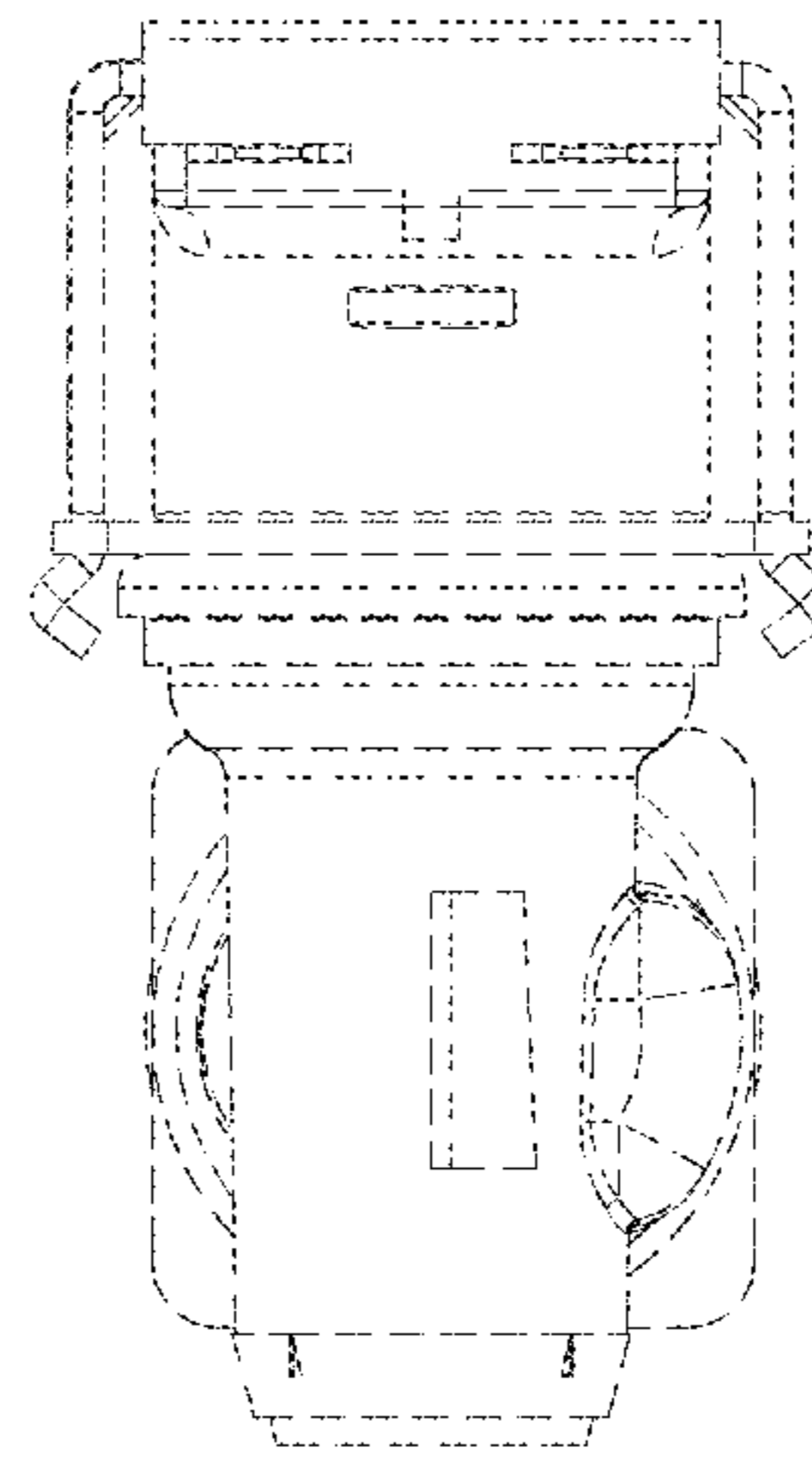


FIG. 6

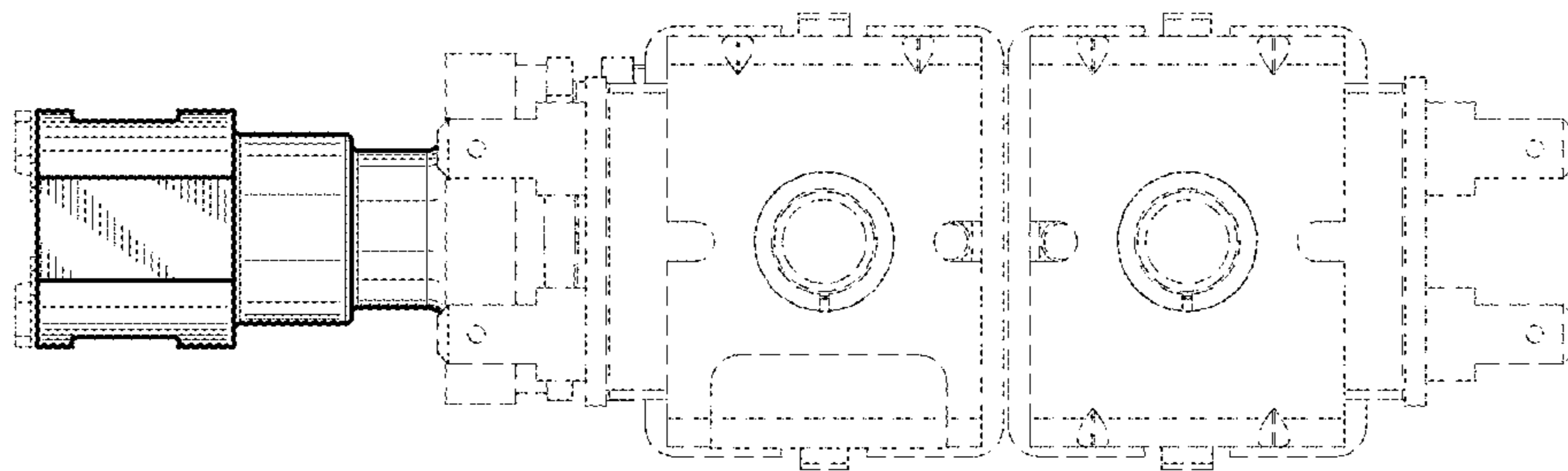


FIG. 7

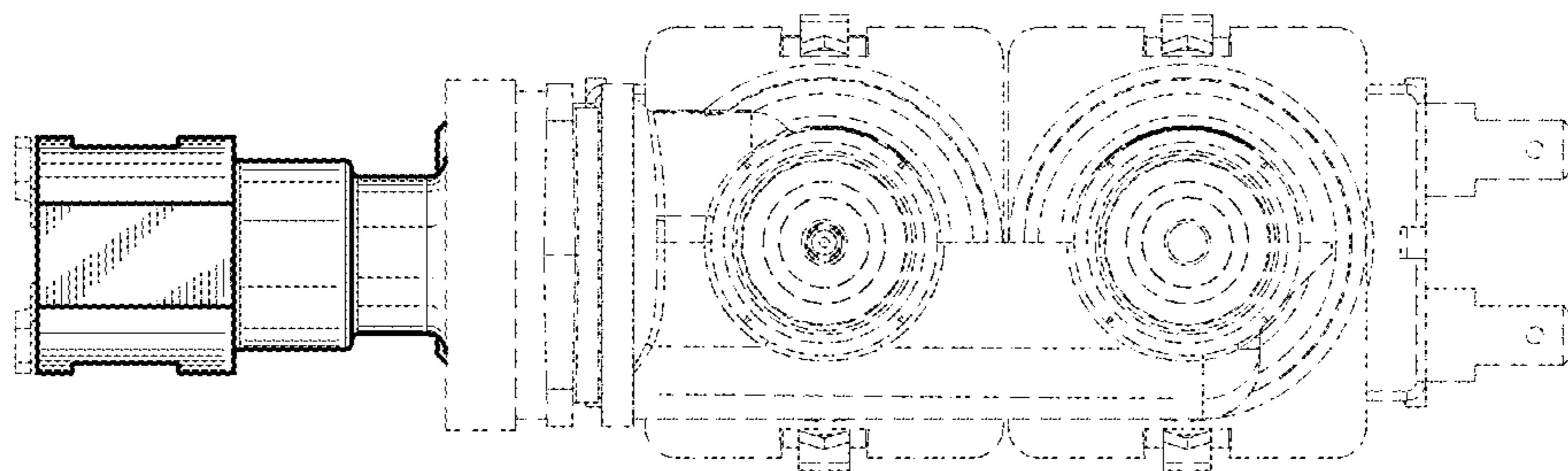
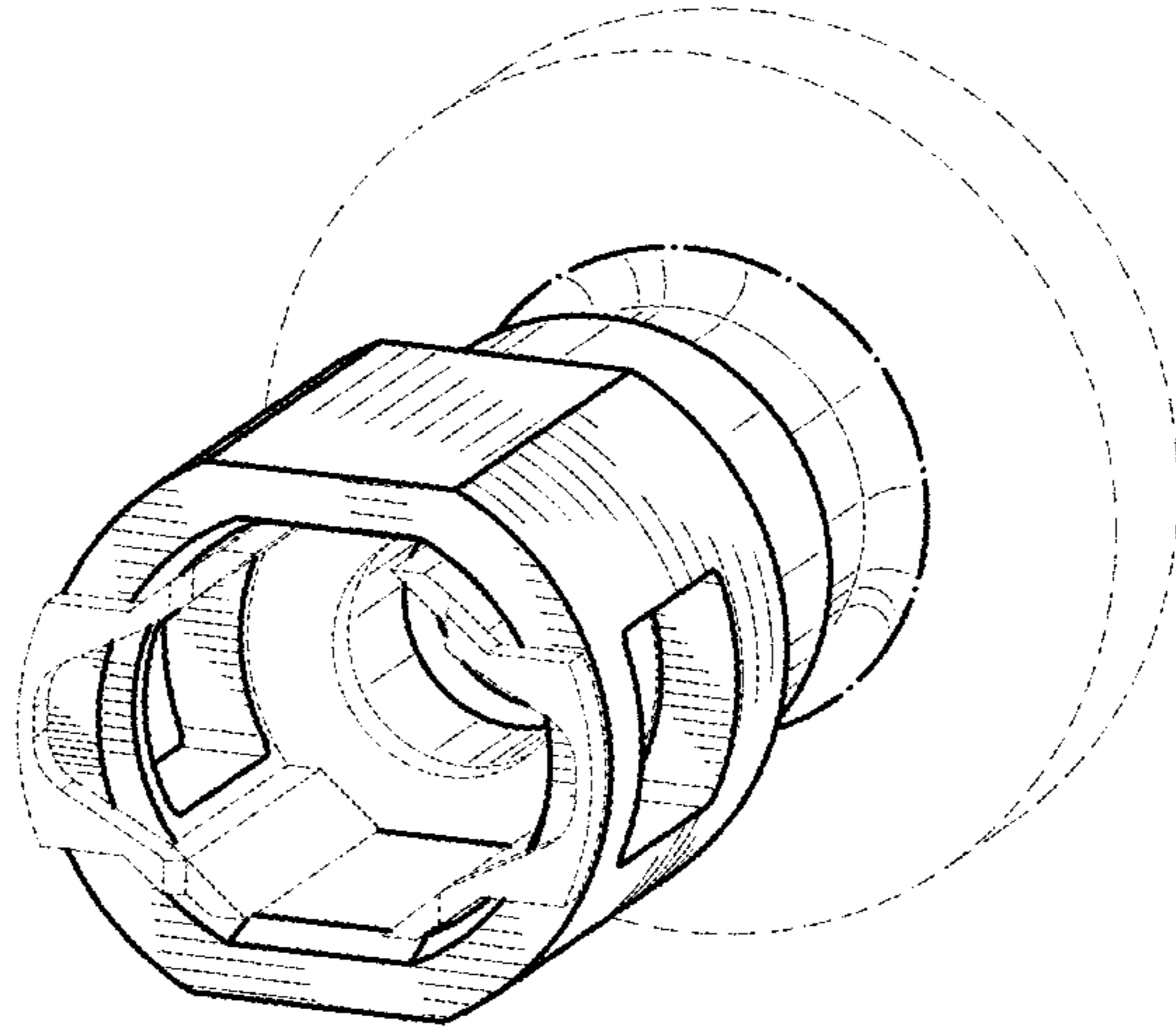
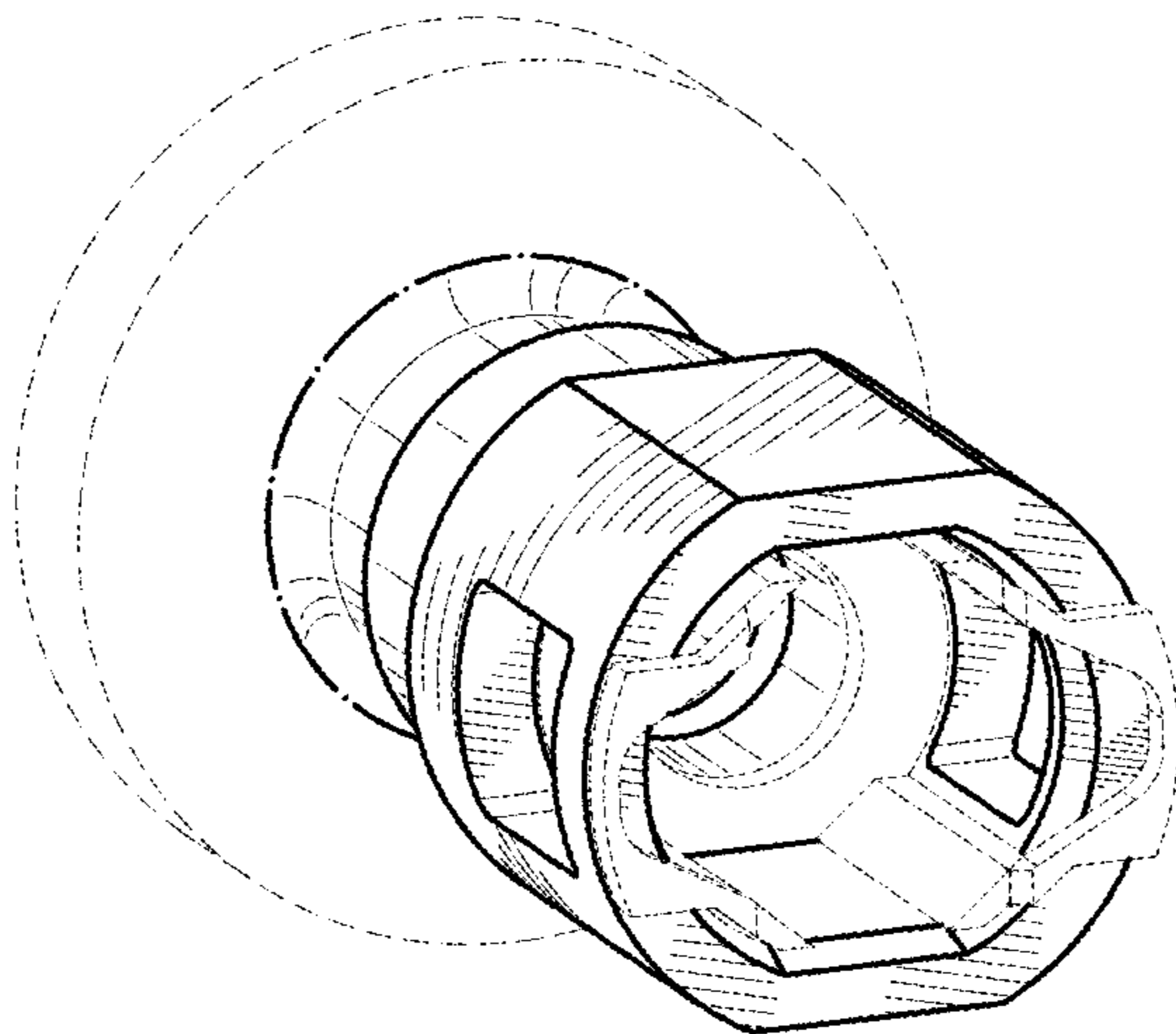


FIG. 8



**FIG. 9**



**FIG. 10**

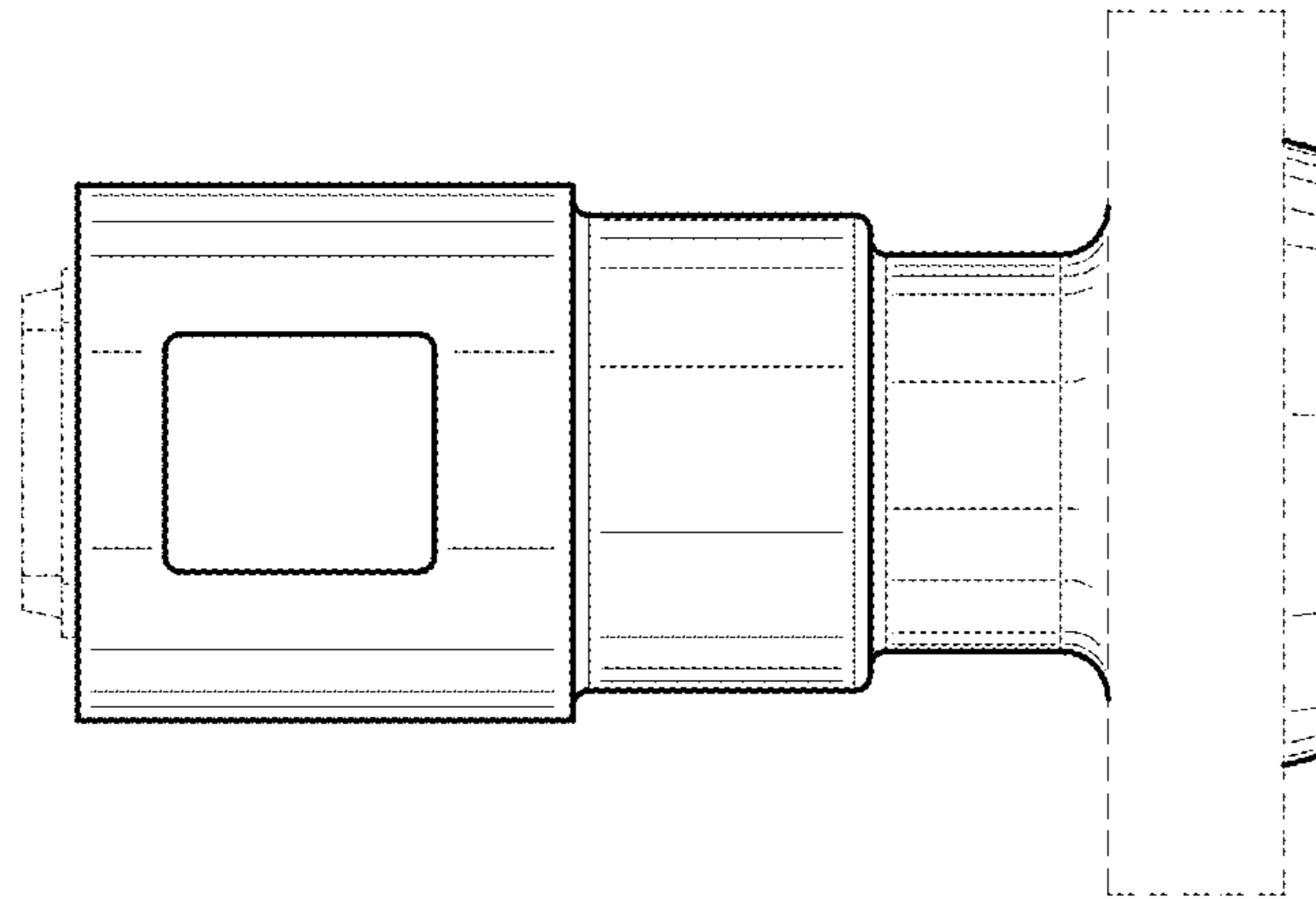


FIG. 11

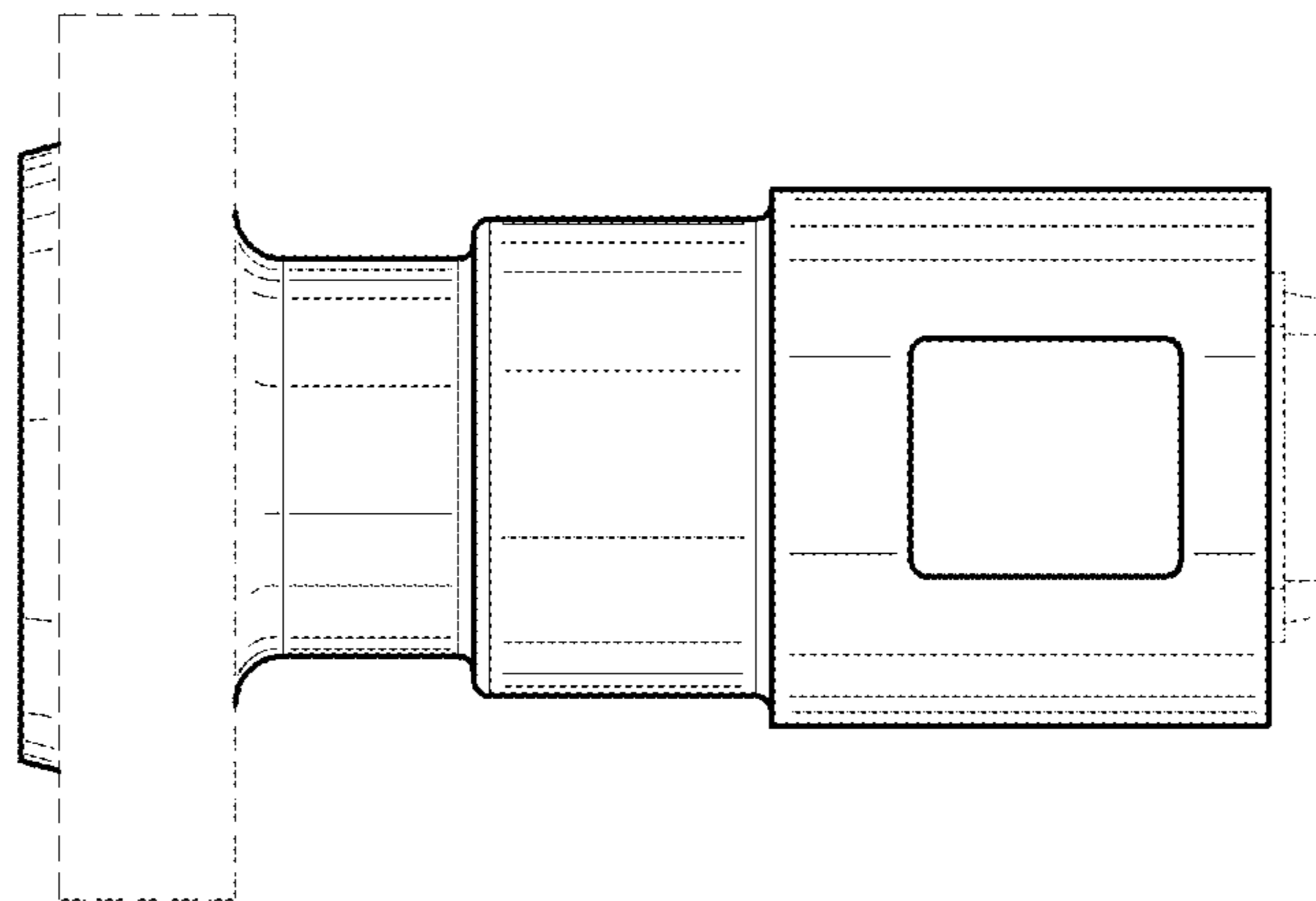


FIG. 12

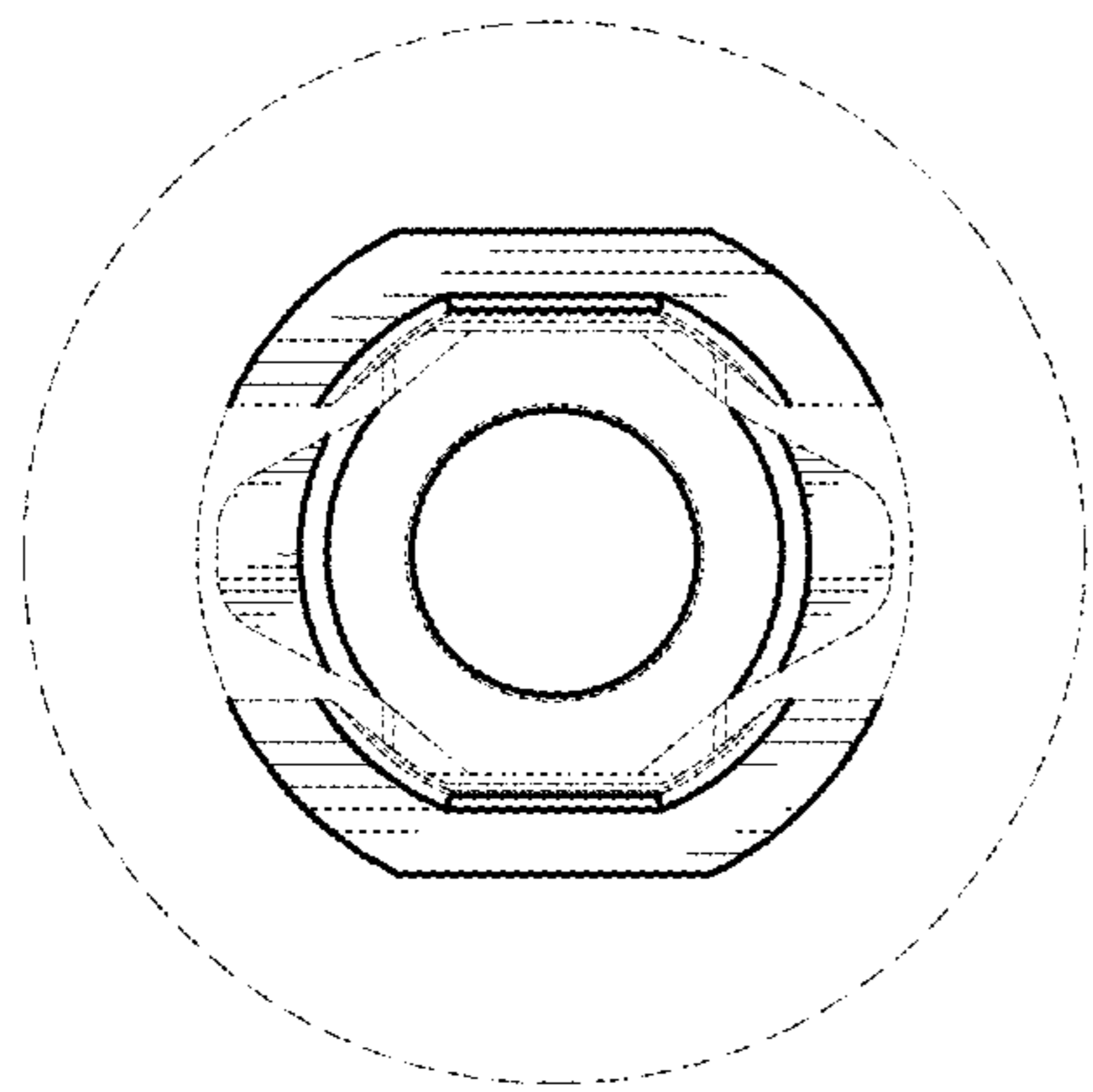


FIG. 13

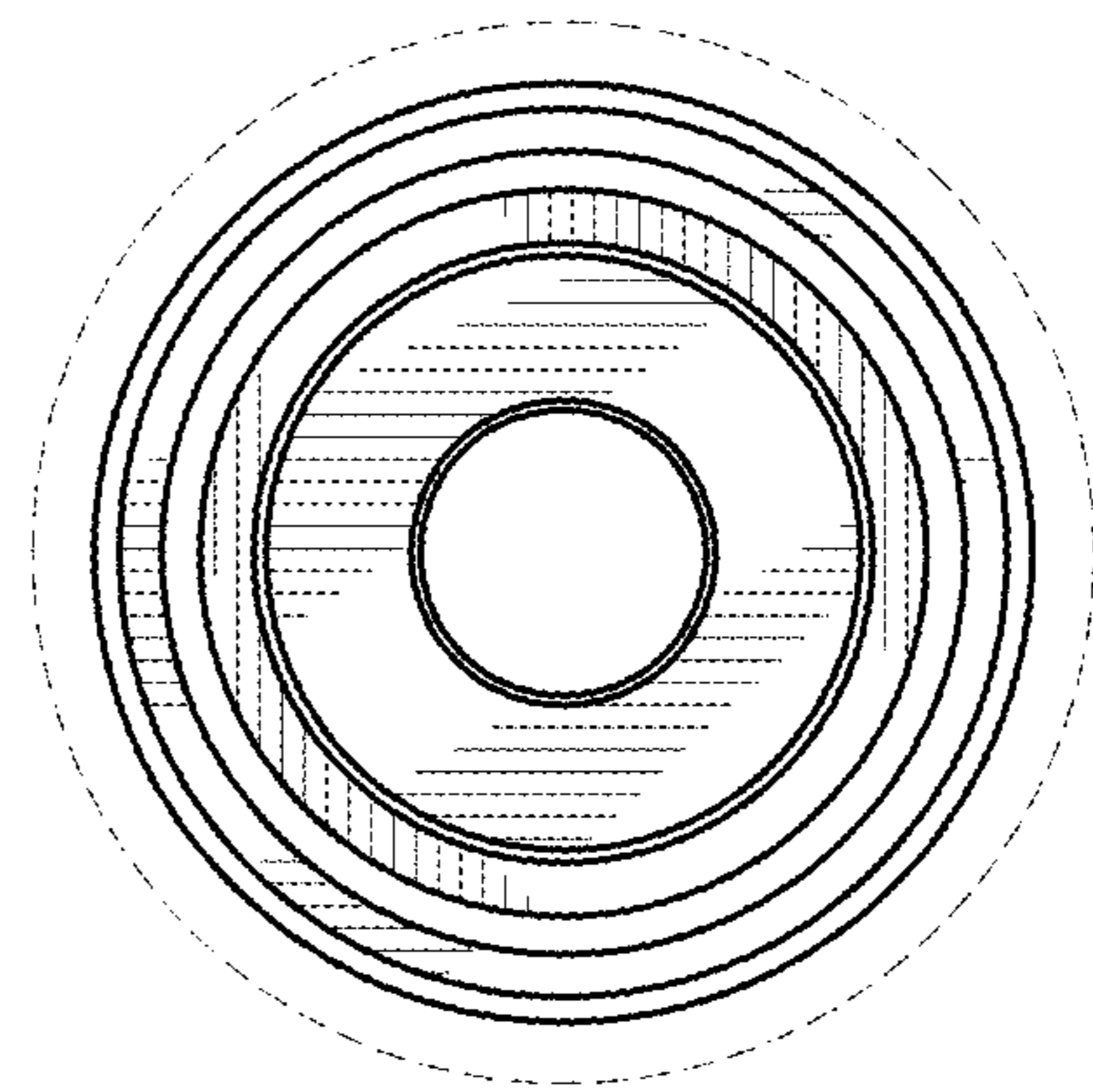


FIG. 14

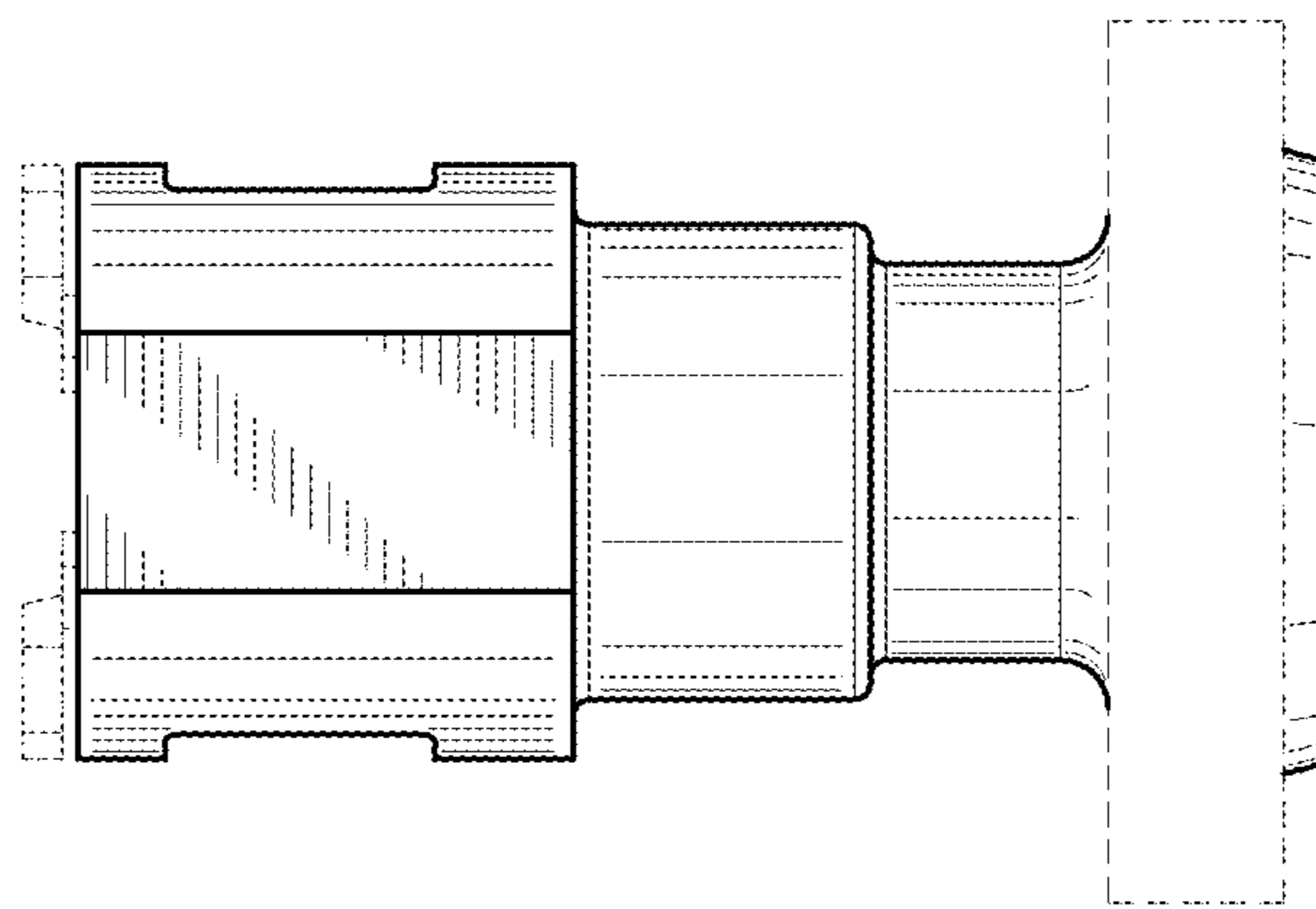


FIG. 15

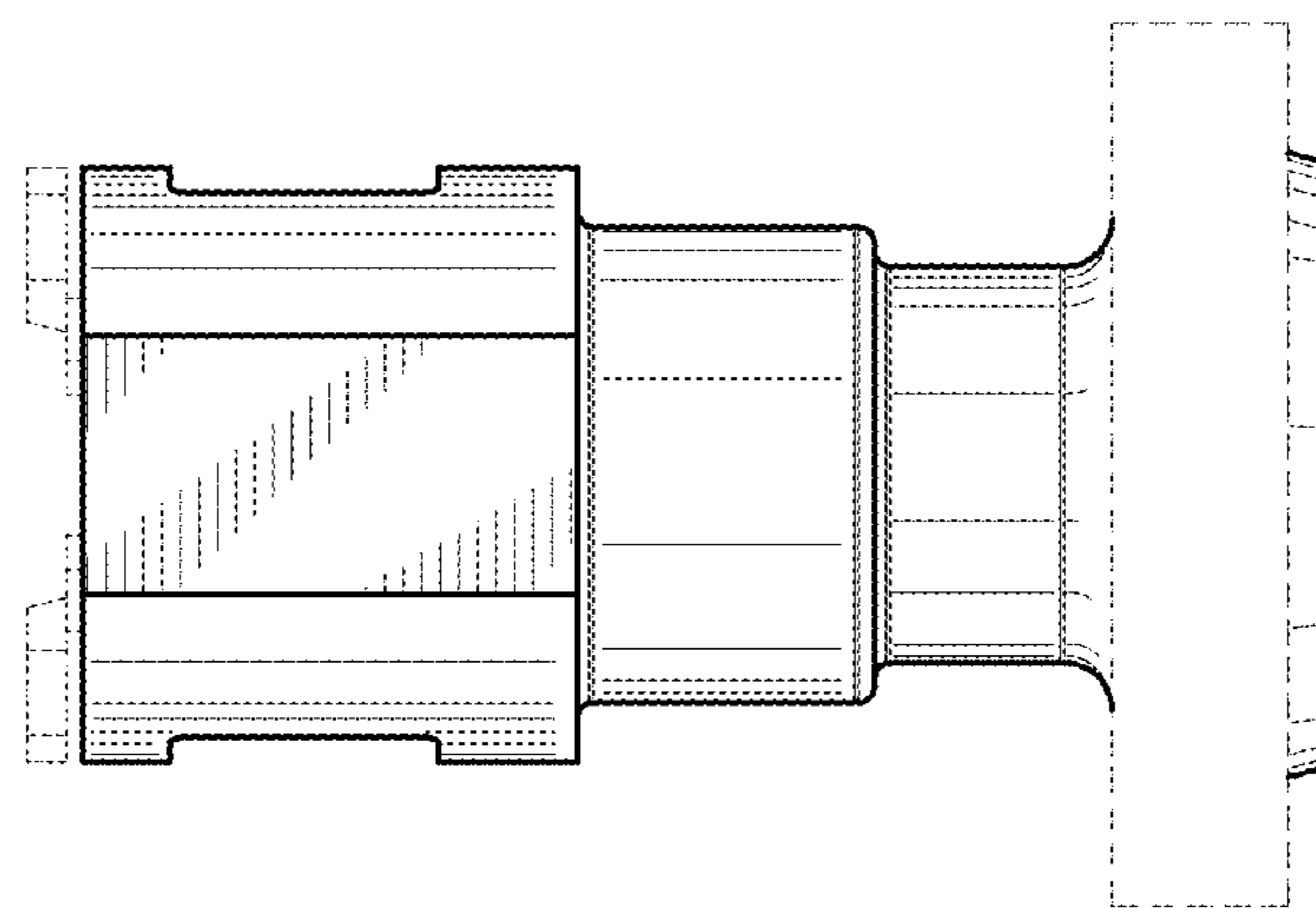


FIG. 16



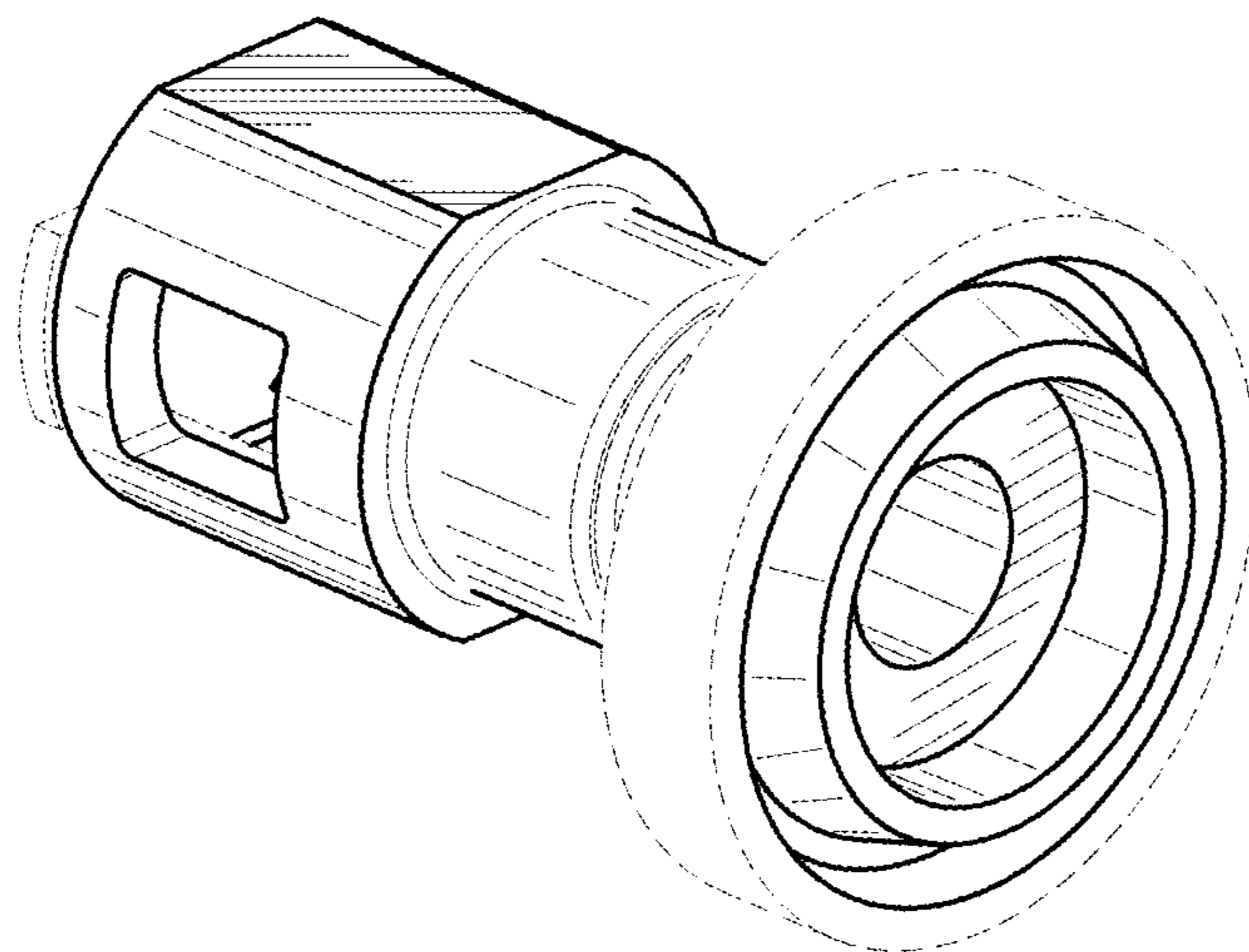


FIG. 17

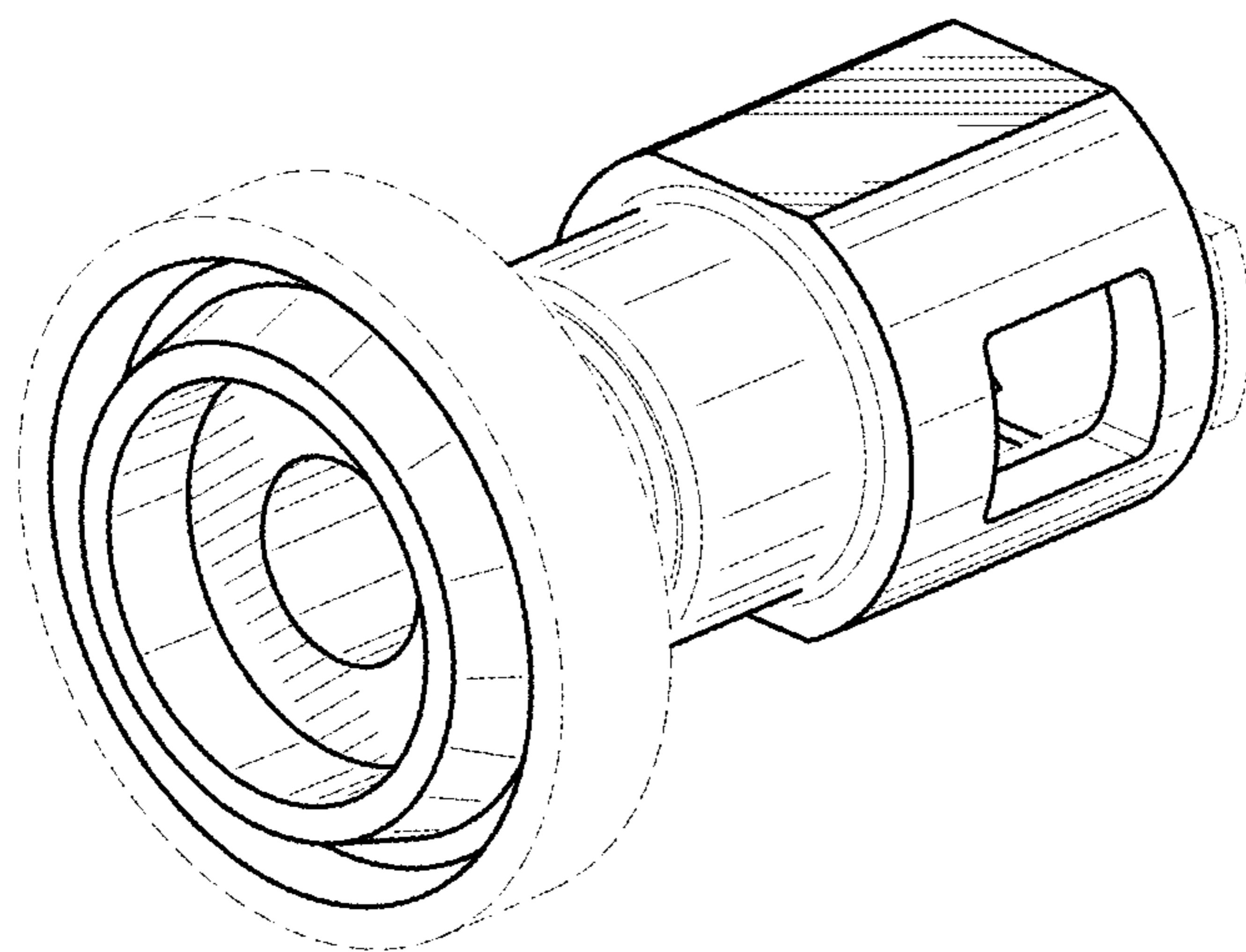


FIG. 18