



US00D784494S

(12) **United States Design Patent**
Wang

(10) **Patent No.:** **US D784,494 S**

(45) **Date of Patent:** **** Apr. 18, 2017**

(54) **TUB FAUCET**

(71) Applicant: **Fuyong Wang**, Kaiping (CN)

(72) Inventor: **Fuyong Wang**, Kaiping (CN)

(**) Term: **15 Years**

(21) Appl. No.: **29/548,273**

(22) Filed: **Dec. 11, 2015**

(51) **LOC (10) Cl.** **23-01**

(52) **U.S. Cl.**
USPC **D23/239**

(58) **Field of Classification Search**
USPC D23/238-243, 249-250, 252, 254, 255,
D23/257, 213, 223; D10/49; D8/300,
D8/307-308

CPC E03C 1/04; E03C 1/0401; E03C 1/0402;
E03C 1/0404

See application file for complete search history.

(56) **References Cited**

U.S. PATENT DOCUMENTS

D495,028 S * 8/2004 Jorgensen D23/223
D525,346 S * 7/2006 Kulig D23/238

D579,519 S * 10/2008 Sieger D23/238
D598,074 S * 8/2009 Starck D23/254
D613,825 S * 4/2010 Ishikawa D23/254
D660,940 S * 5/2012 Flowers D23/223
D662,189 S * 6/2012 Sieger D23/242
D664,240 S * 7/2012 Tang D23/238
D700,287 S * 2/2014 Schoenherr D23/239
D734,835 S * 7/2015 Sieger D23/239
D761,391 S * 7/2016 Schoenherr D23/254

* cited by examiner

Primary Examiner — Robert Delehanty

(74) *Attorney, Agent, or Firm* — Alexander Chen

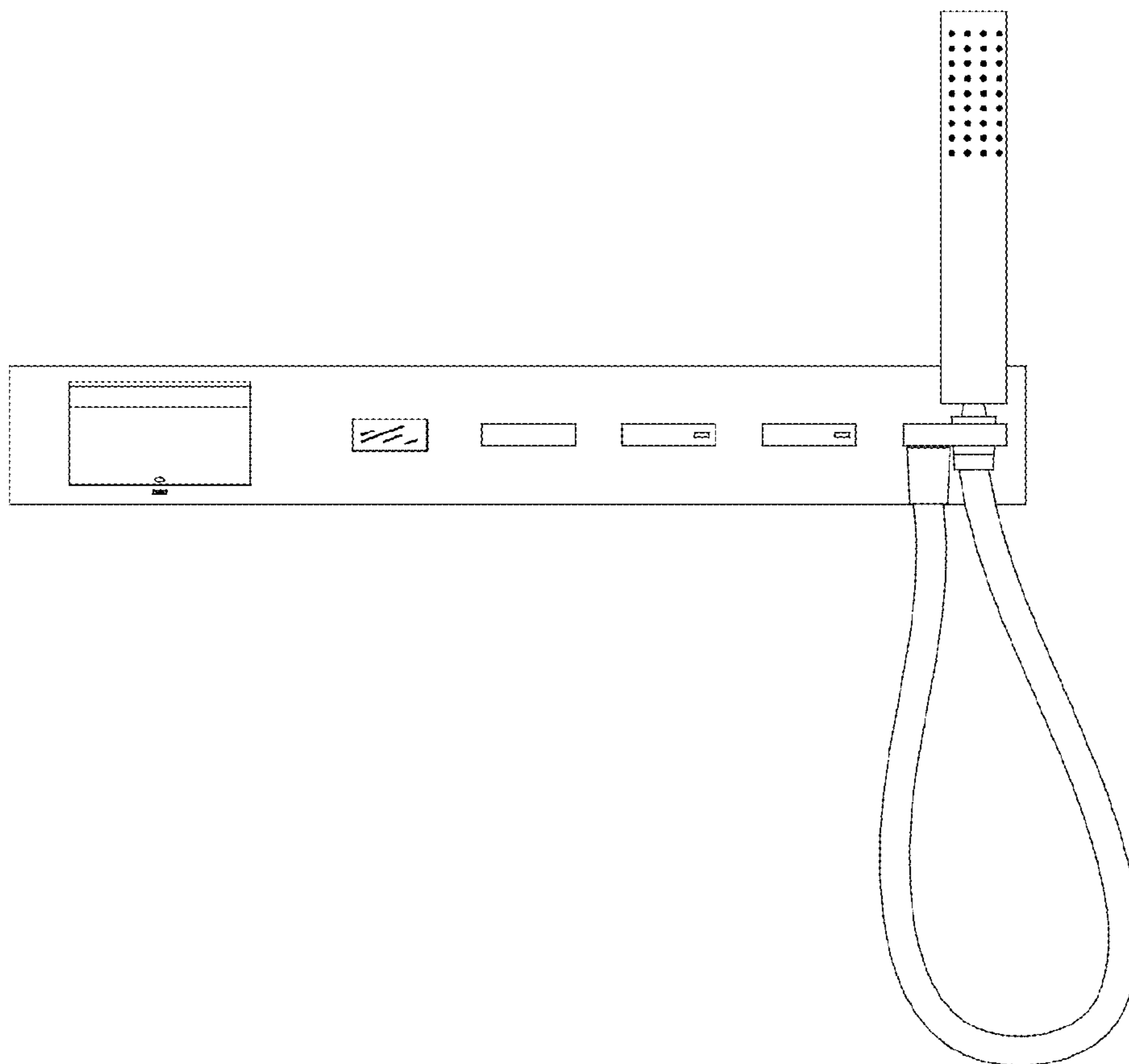
(57) **CLAIM**

An ornamental design for a tub faucet, as shown and described.

DESCRIPTION

FIG. 1 is a front view of a tub faucet
FIG. 2 is a top side view thereof.
FIG. 3 is a left side view thereof; and,
FIG. 4 is a perspective view thereof.

1 Claim, 4 Drawing Sheets



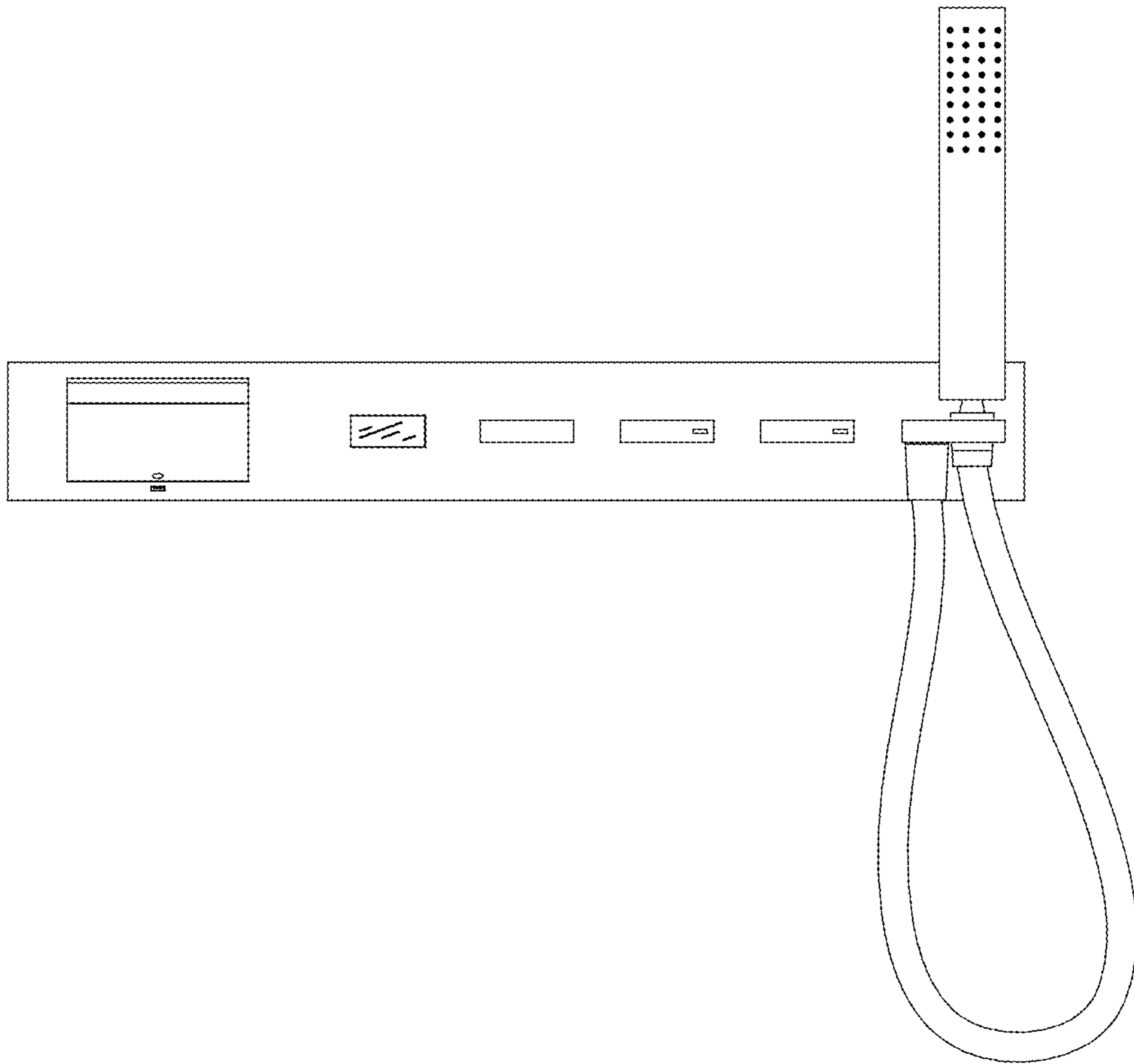


Fig. 1

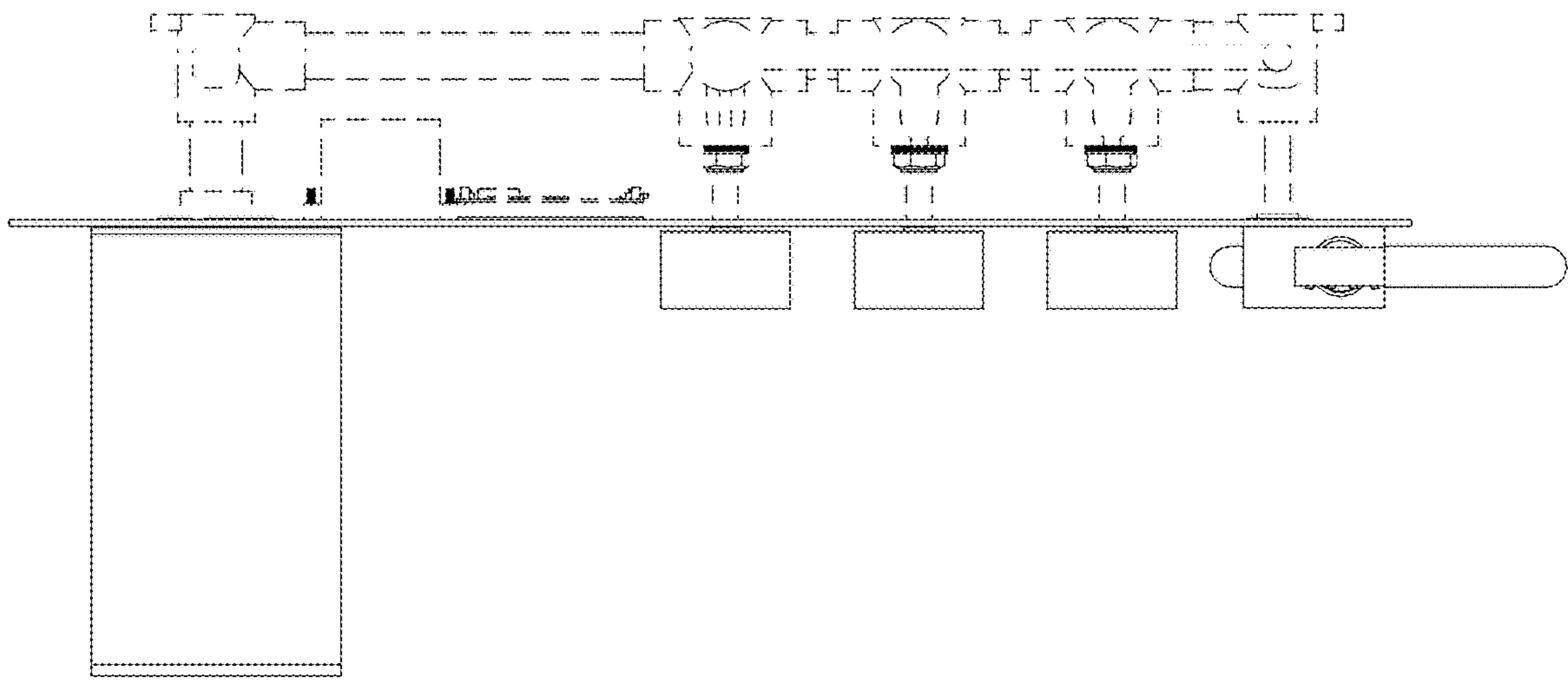


Fig. 2

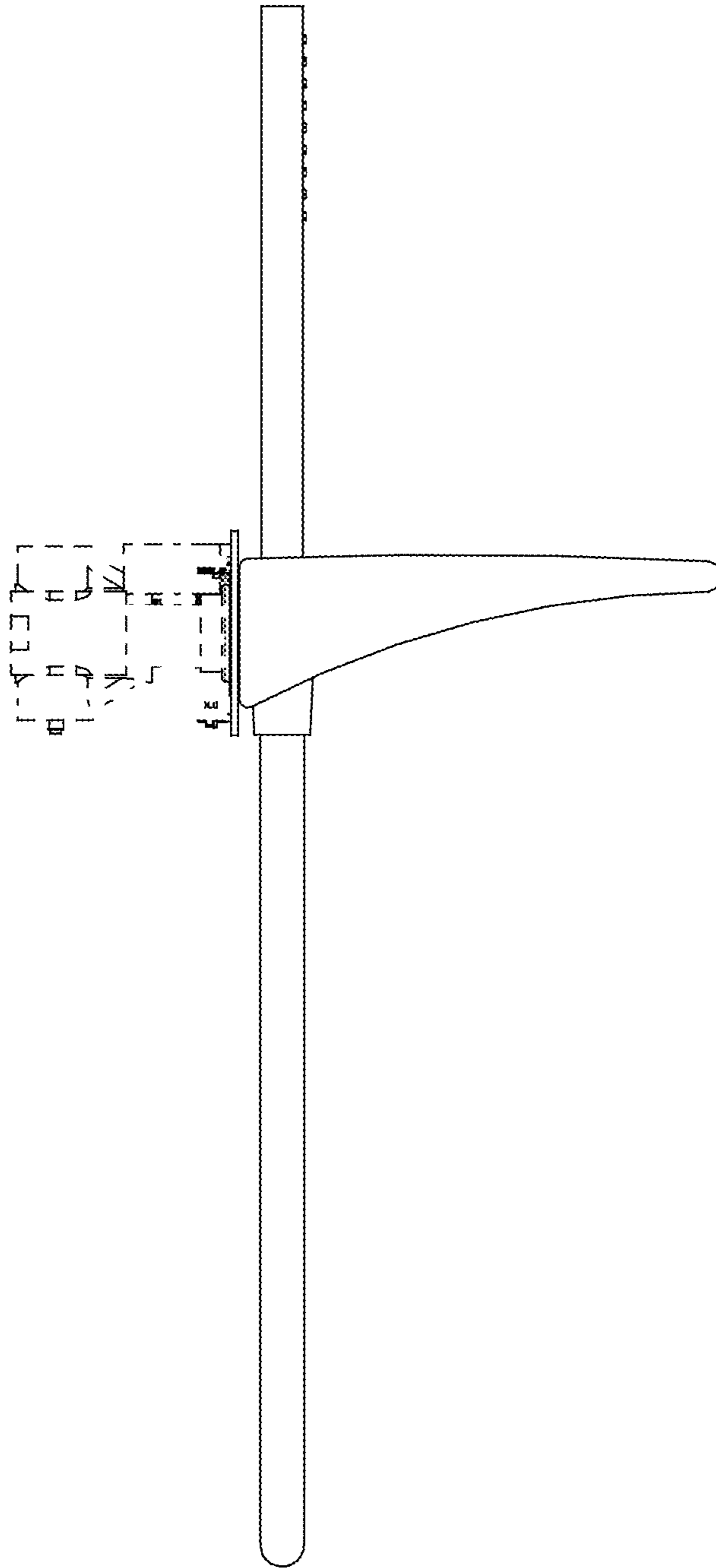


Fig. 3

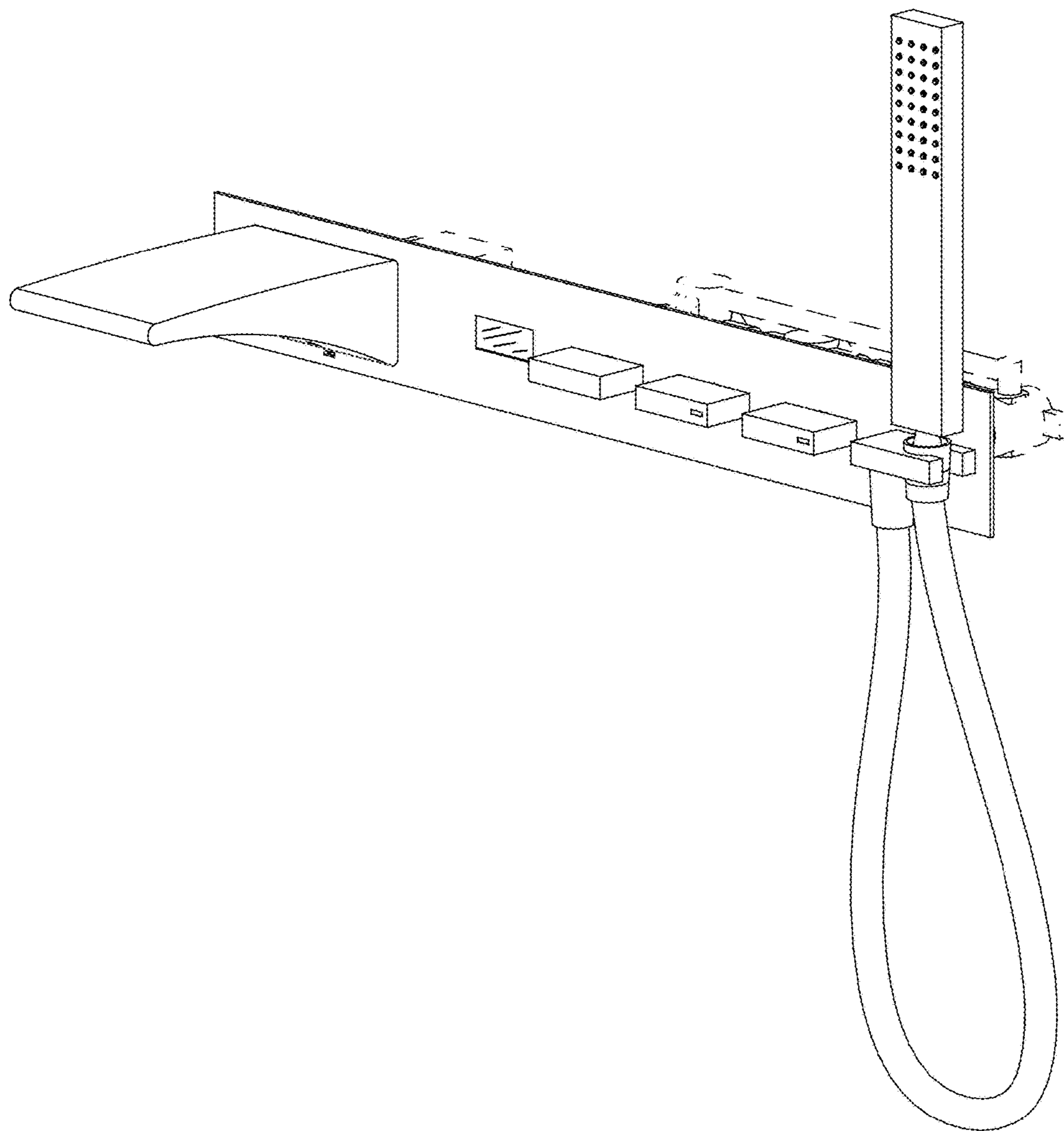


Fig. 4