



US00D784493S

(12) **United States Design Patent**
Lopez

(10) **Patent No.:** **US D784,493 S**
(45) **Date of Patent:** **** Apr. 18, 2017**

(54) **SEQUENTIALLY-GATED MULTI-PORT WATER DISTRIBUTION VALVE**

(71) Applicant: **Pool Patch LLC**, Phoenix, AZ (US)

(72) Inventor: **Thomas V. Lopez**, Phoenix, AZ (US)

(**) Term: **15 Years**

(21) Appl. No.: **29/530,447**

(22) Filed: **Jun. 16, 2015**

Related U.S. Application Data

(63) Continuation of application No. 14/620,989, filed on Feb. 12, 2015.

(51) **LOC (10) Cl.** **23-01**

(52) **U.S. Cl.**
USPC **D23/233**

(58) **Field of Classification Search**
USPC D23/233-250; 137/625.11, 624.14, 627, 137/630.2, 119.03, 624.18, 119.07, 875, 137/625.47, 625, 861; 251/149
CPC F16K 27/003; F16K 19/00; F16K 11/072; F16K 27/04; F16K 31/16; F16K 31/524; E04H 4/16
See application file for complete search history.

(56) **References Cited**

U.S. PATENT DOCUMENTS

- 4,458,708 A * 7/1984 Leonard F15D 1/14
137/118.06
- 4,492,247 A * 1/1985 Lockwood A01G 25/162
137/119.03
- 5,762,092 A * 6/1998 Yang F16K 11/074
137/119.03
- 6,189,556 B1 2/2001 Blake et al.
- 6,311,728 B1 * 11/2001 Goettl F16K 11/074
137/119.07
- 6,314,999 B1 * 11/2001 Conn F16K 11/163
137/119.07

- 6,325,087 B1 12/2001 Tarr
- 6,360,767 B1 * 3/2002 Barnes E04H 4/169
137/119.07
- 6,539,967 B2 4/2003 Tarr
- D538,890 S * 3/2007 Park D23/233
- 8,256,461 B1 * 9/2012 Sutton F16K 11/074
123/90.6
- 8,714,182 B2 * 5/2014 Malinasky, Jr. B05B 3/16
137/119.07
- 2011/0225717 A1 * 9/2011 Malinasky, Jr. B05B 3/16
4/496

(Continued)

Primary Examiner — Cynthia Ramirez

Assistant Examiner — Gino Colan

(74) *Attorney, Agent, or Firm* — Thomas W. Galvani, P.C.; Thomas W. Galvani

(57) **CLAIM**

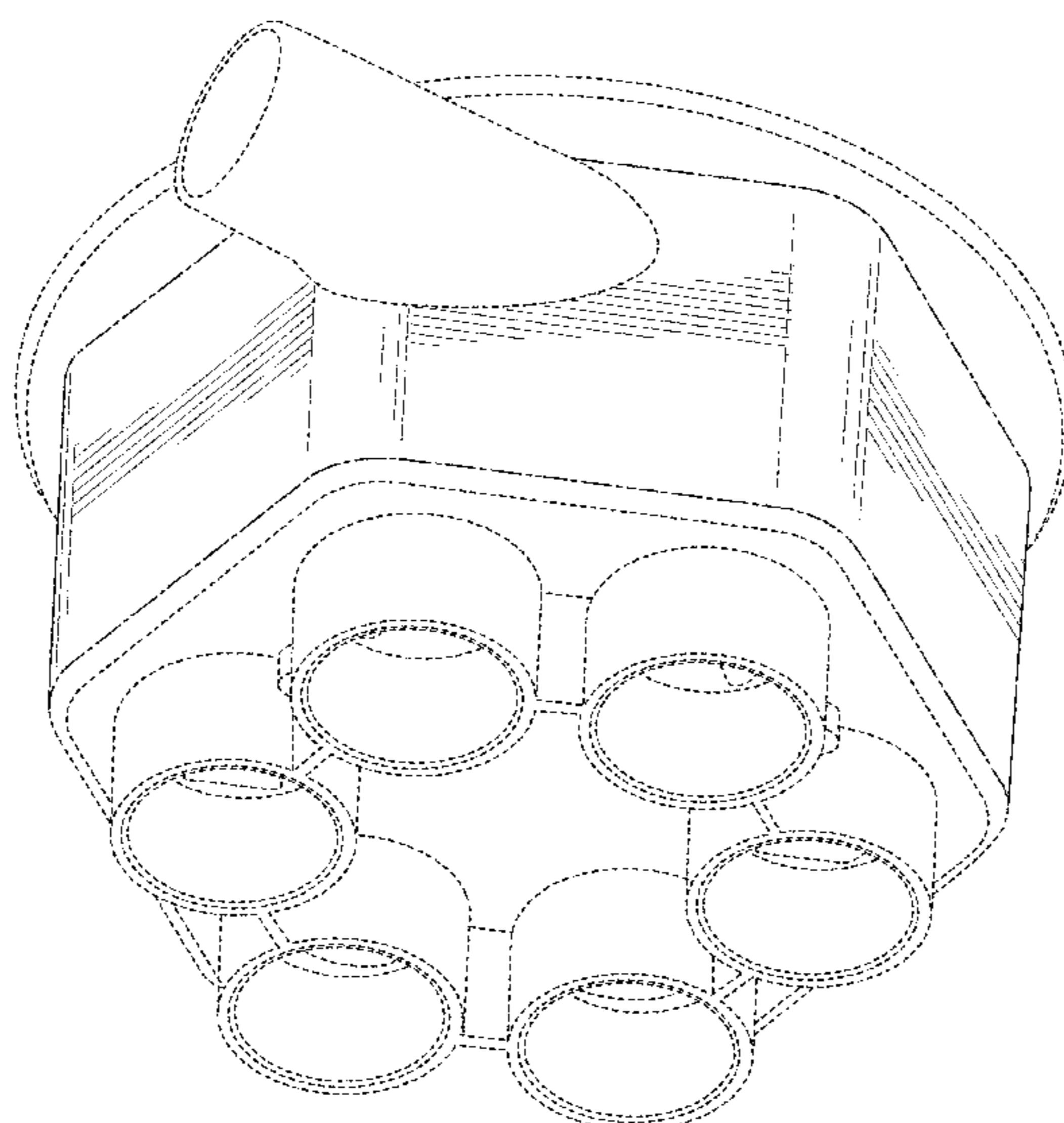
The ornamental design for a sequentially-gated multi-port water distribution valve, as shown and described.

DESCRIPTION

FIG. 1 is a top perspective view of a sequentially-gated multi-port water distribution valve shown in accordance with my new design;
 FIG. 2 is a bottom perspective view thereof;
 FIG. 3 is a front elevation view thereof;
 FIG. 4 is a rear elevation view thereof;
 FIG. 5 is a right side elevation view thereof;
 FIG. 6 is a left side elevation view thereof;
 FIG. 7 is top plan view thereof; and,
 FIG. 8 is a bottom plan view thereof.

The evenly-dashed broken lines shown in the figures are for the purpose of illustrating portions of the sequentially-gated multi-port water distribution valve and form no part of the claimed design. The dot-dash lines in the figures are for the purpose of showing boundaries of the design and form no part of the claimed design.

1 Claim, 8 Drawing Sheets



(56)

References Cited

U.S. PATENT DOCUMENTS

2016/0238143 A1* 8/2016 Lopez F16K 11/072

* cited by examiner

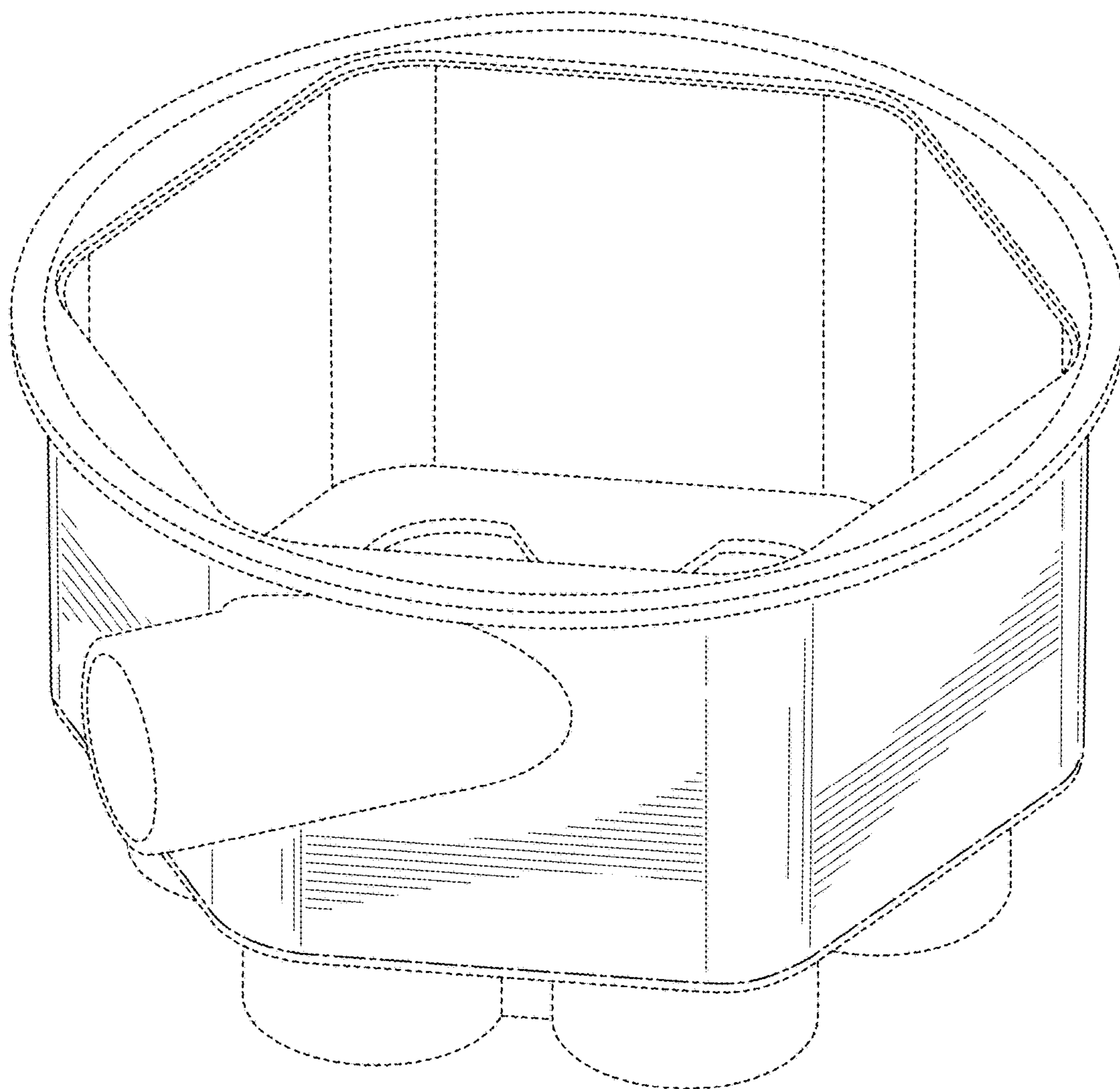


FIG. 1

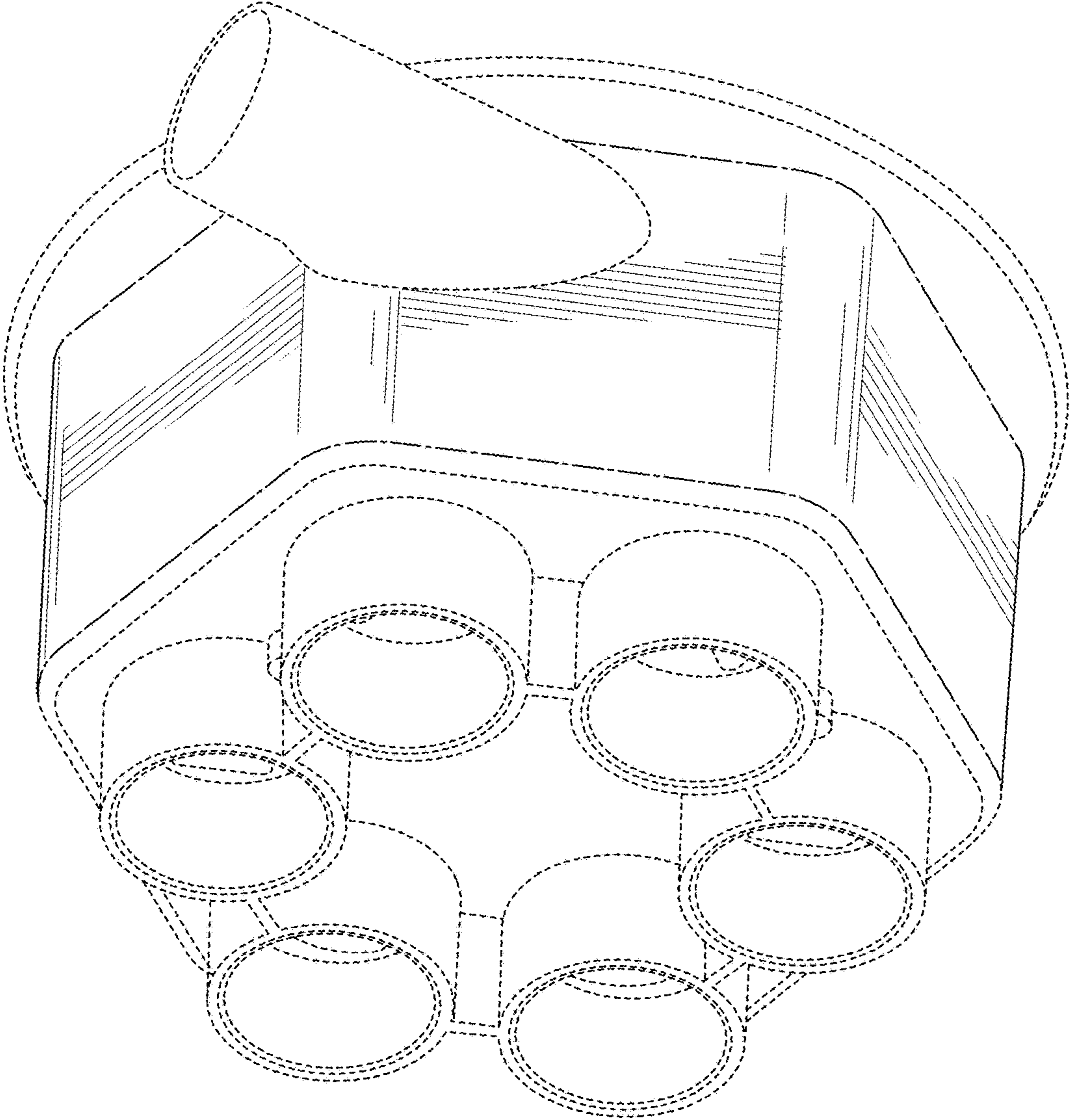


FIG. 2

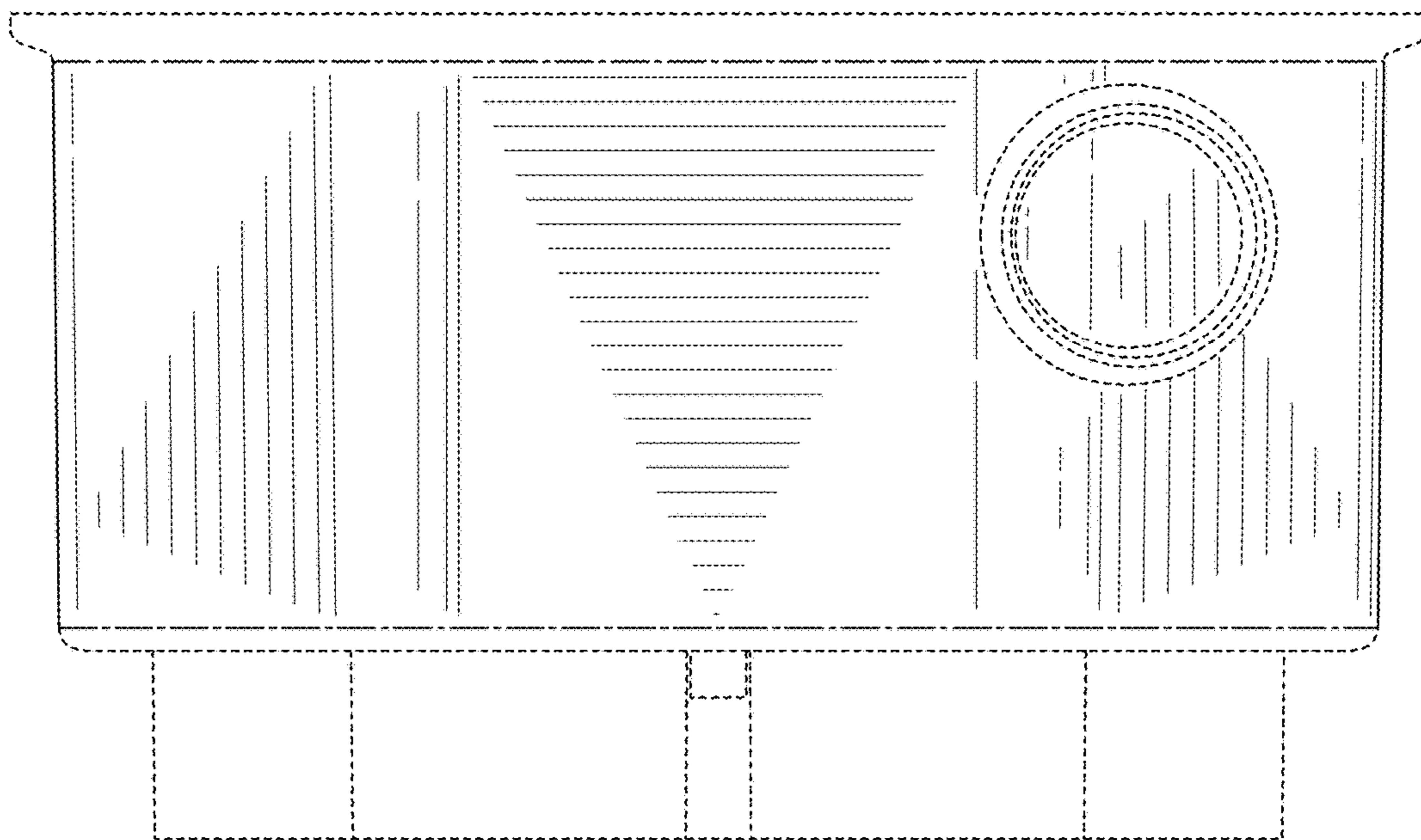


FIG. 3

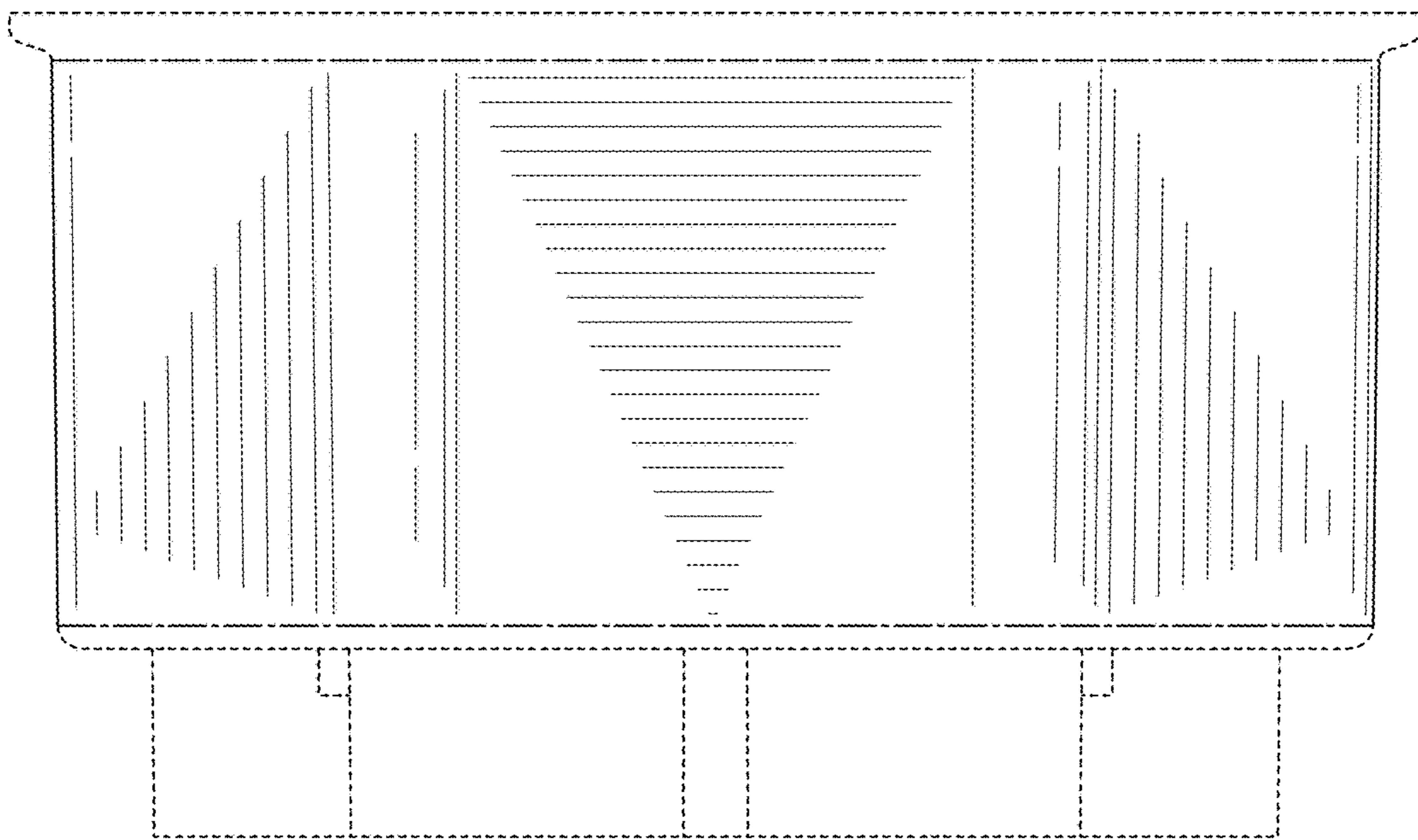


FIG. 4

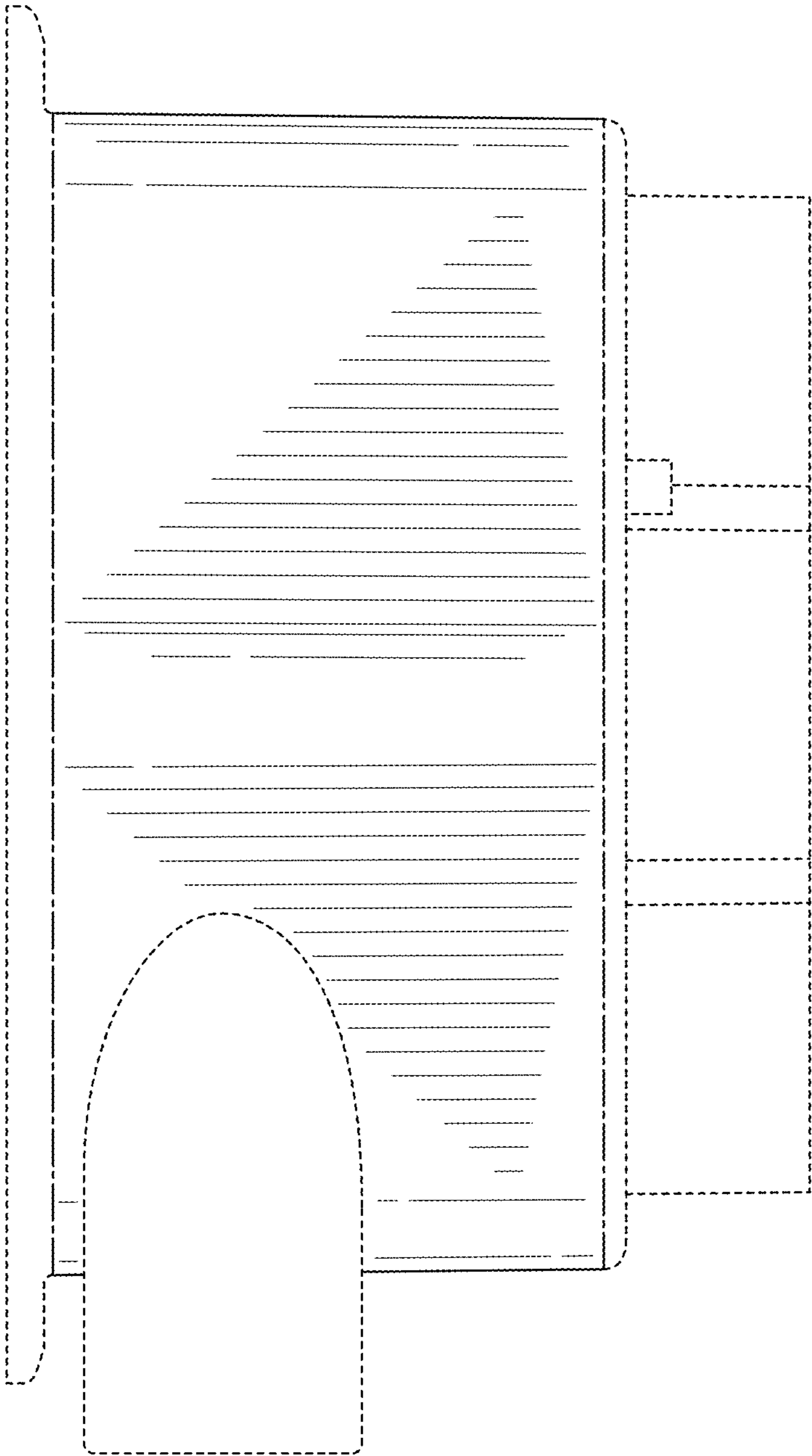


FIG. 5

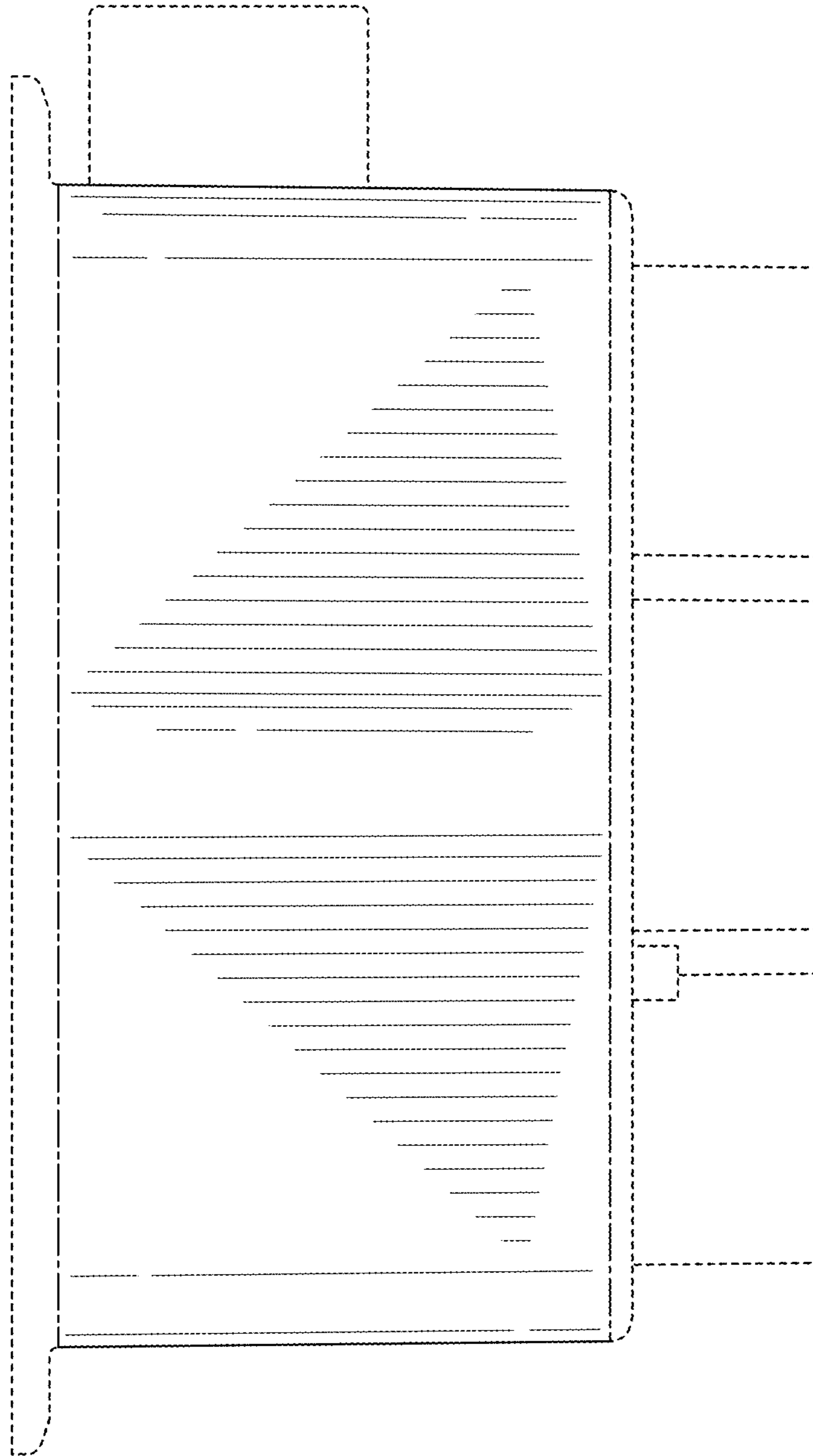


FIG. 6

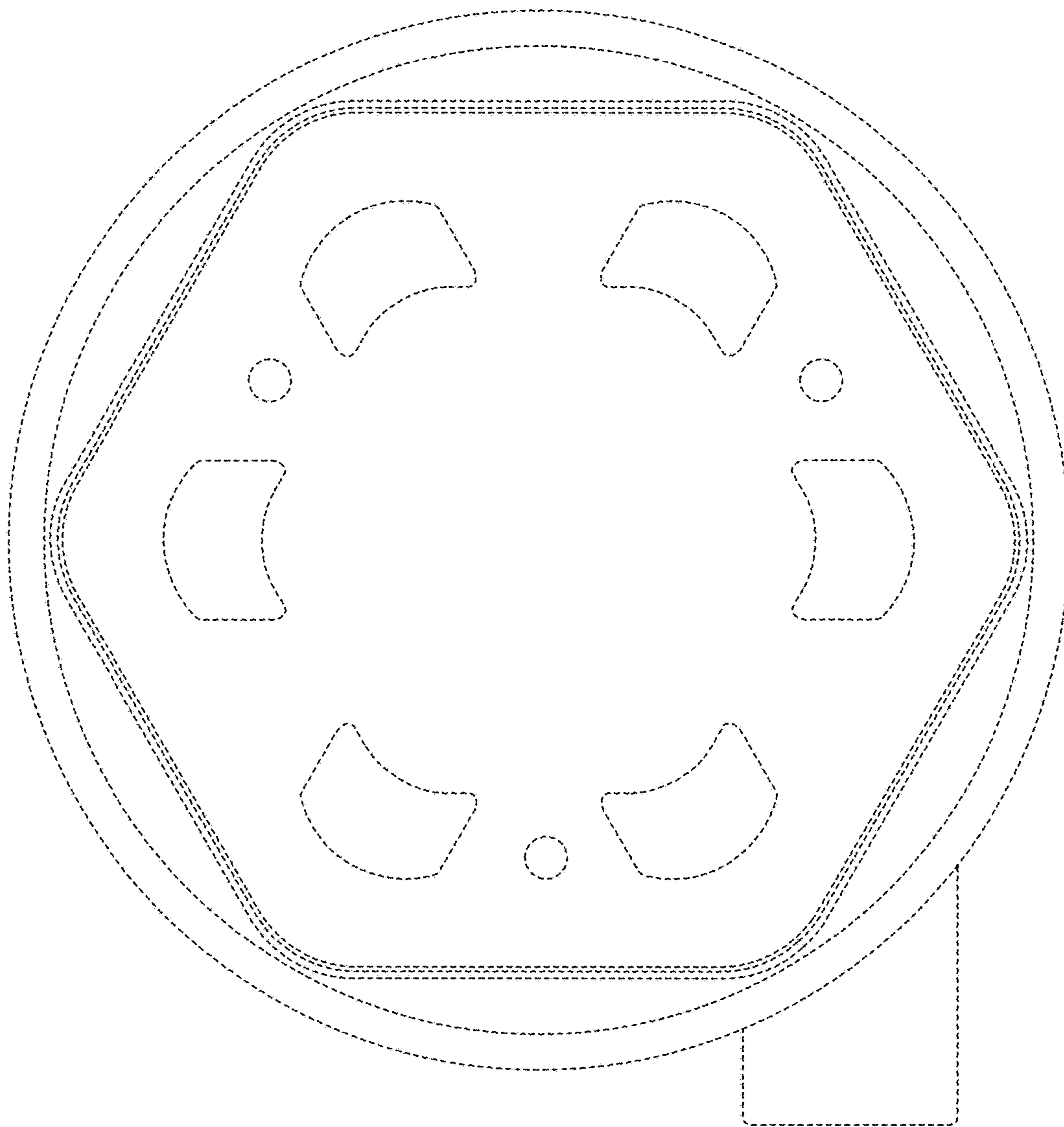


FIG. 7

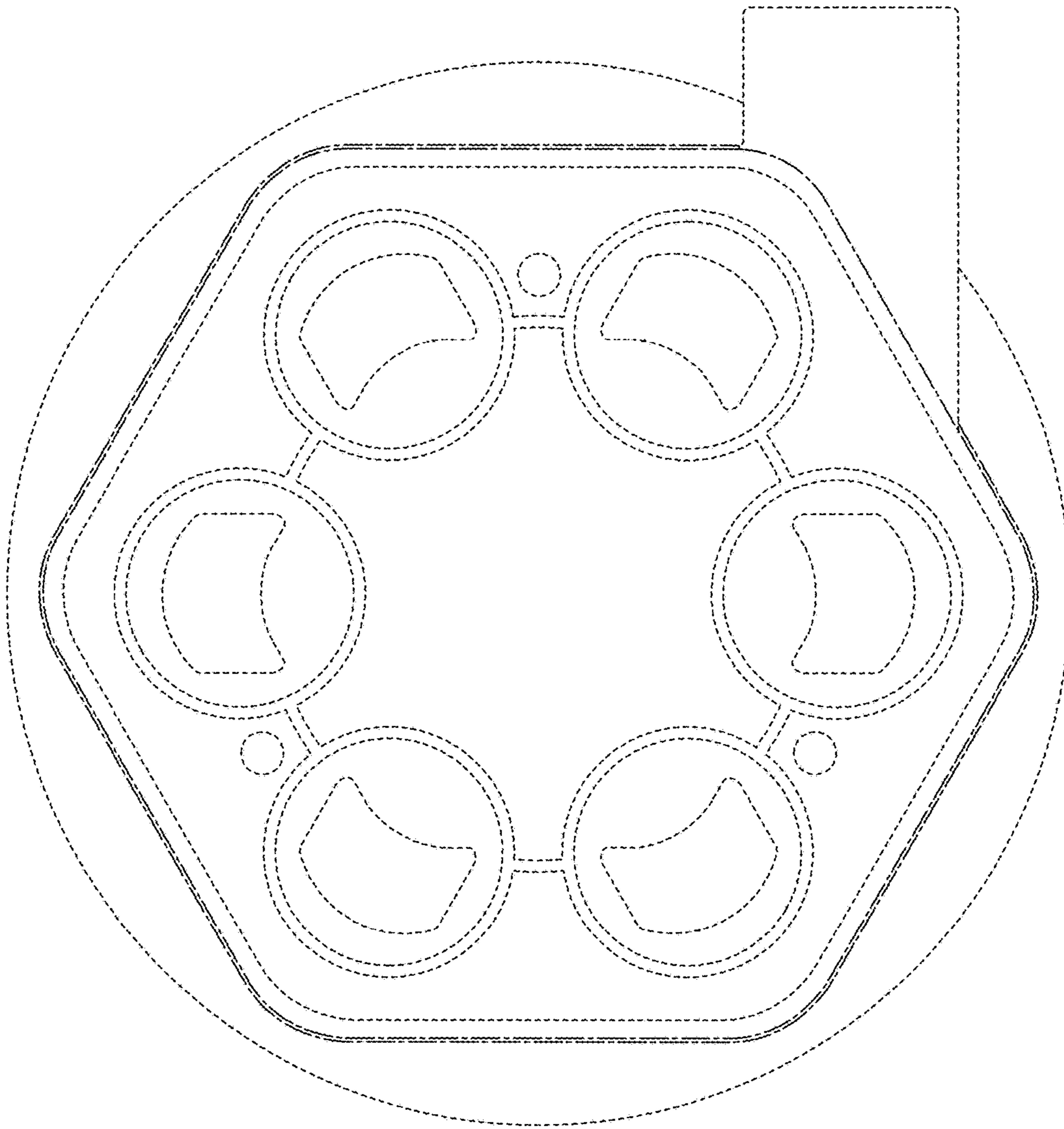


FIG. 8