



US00D784492S

(12) **United States Design Patent** (10) **Patent No.:** **US D784,492 S**
Lu (45) **Date of Patent:** **** Apr. 18, 2017**

(54) **PORTION OF A WATER FILTER FITTING**

D760,868 S * 7/2016 Lu D23/209
D764,021 S * 8/2016 Lu D23/209
D764,626 S * 8/2016 Lu D23/209

(71) Applicant: **Red Origen LLC**, Plano, TX (US)

* cited by examiner

(72) Inventor: **Qiang Lu**, Ningbo Yinzhou (CN)

Primary Examiner — Robin V Webster

(73) Assignee: **Red Origen, LLC**, Plano, TX (US)

(74) *Attorney, Agent, or Firm* — Elizabeth Philip Dahm;
Kelly J. Kubasta; Ferguson Braswell Fraser Kubasta PC

(**) Term: **15 Years**

(57) **CLAIM**

(21) Appl. No.: **29/547,754**

The ornamental design for a portion of a water filter fitting,
as shown and described.

(22) Filed: **Dec. 7, 2015**

DESCRIPTION

(51) **LOC (10) Cl.** **23-01**

(52) **U.S. Cl.**

USPC **D23/209**

(58) **Field of Classification Search**

USPC D23/207, 209, 262, 259, 265; 210/232,
210/234, 236, 418, 493.2; 285/360-1
CPC B01D 2201/291; B01D 2201/293; B01D
2201/296; B01D 2201/298; B01D
2201/301-2201/306; B01D 35/153; B01D
35/157; B01D 35/30; B01D 29/111
See application file for complete search history.

FIG. 1 illustrates a front perspective view of a portion of a
water filter fitting.

FIG. 2 illustrates a front view of the portion of the fitting
illustrated in FIG. 1.

FIG. 3 illustrates a back view of the portion of the fitting
illustrated in FIG. 1.

FIG. 4 illustrates a first side view of the portion of the fitting
illustrated in FIG. 1.

FIG. 5 illustrates a second side view of the portion of the
fitting illustrated in FIG. 1.

FIG. 6 illustrates a top view of the portion of the fitting
illustrated in FIG. 1.

FIG. 7 illustrates a top perspective view of the portion of the
fitting on an implementation of a water filter; and,

FIG. 8 illustrates a bottom perspective view of the portion of
a water filter fitting illustrated in FIG. 7.

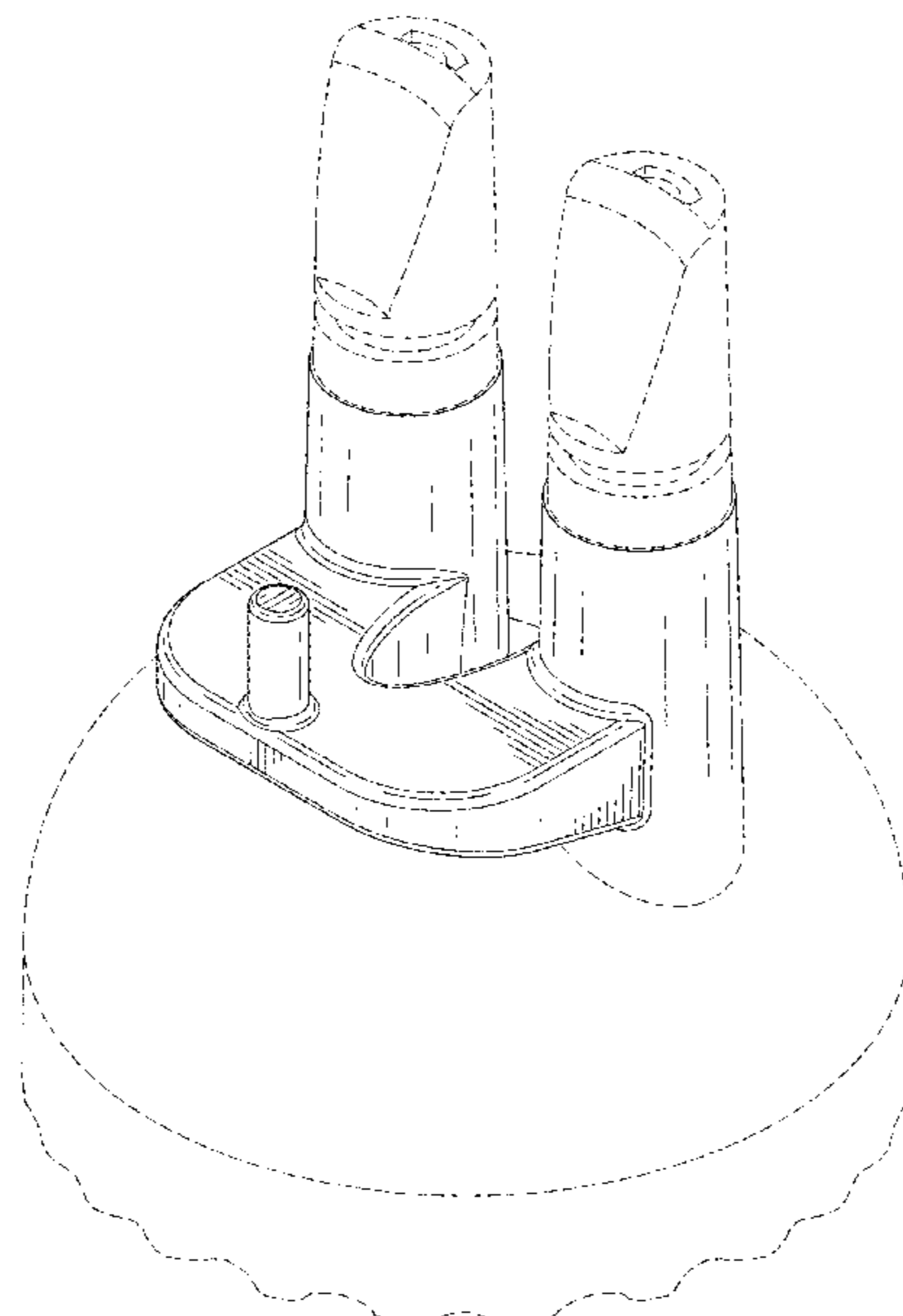
The broken lines, when present in the drawings, represent
portions of the water filter. The broken lines are for the
purpose of illustrating the environment of the design and
form no part of the claimed design. The surface shading
lines, when present in the drawings, show contour and/or
distinguish between open and solid areas. The surface shad-
ing lines are not surface ornamentation. The design is not
limited to the scale shown herein.

(56) **References Cited**

U.S. PATENT DOCUMENTS

D494,654 S * 8/2004 Macaulay D23/209
7,147,773 B2 * 12/2006 Mitchell B01D 35/153
210/136
D591,389 S * 4/2009 Born D23/209
8,398,853 B2 * 3/2013 An B01D 35/147
137/594
D731,616 S * 6/2015 Zou D23/209
D735,294 S * 7/2015 Reid D23/209
D750,738 S * 3/2016 Baird D23/209
D755,922 S * 5/2016 Sherman B01D 35/30
D23/209
D759,789 S * 6/2016 Baird D23/209
D759,790 S * 6/2016 Baird D23/209

1 Claim, 5 Drawing Sheets



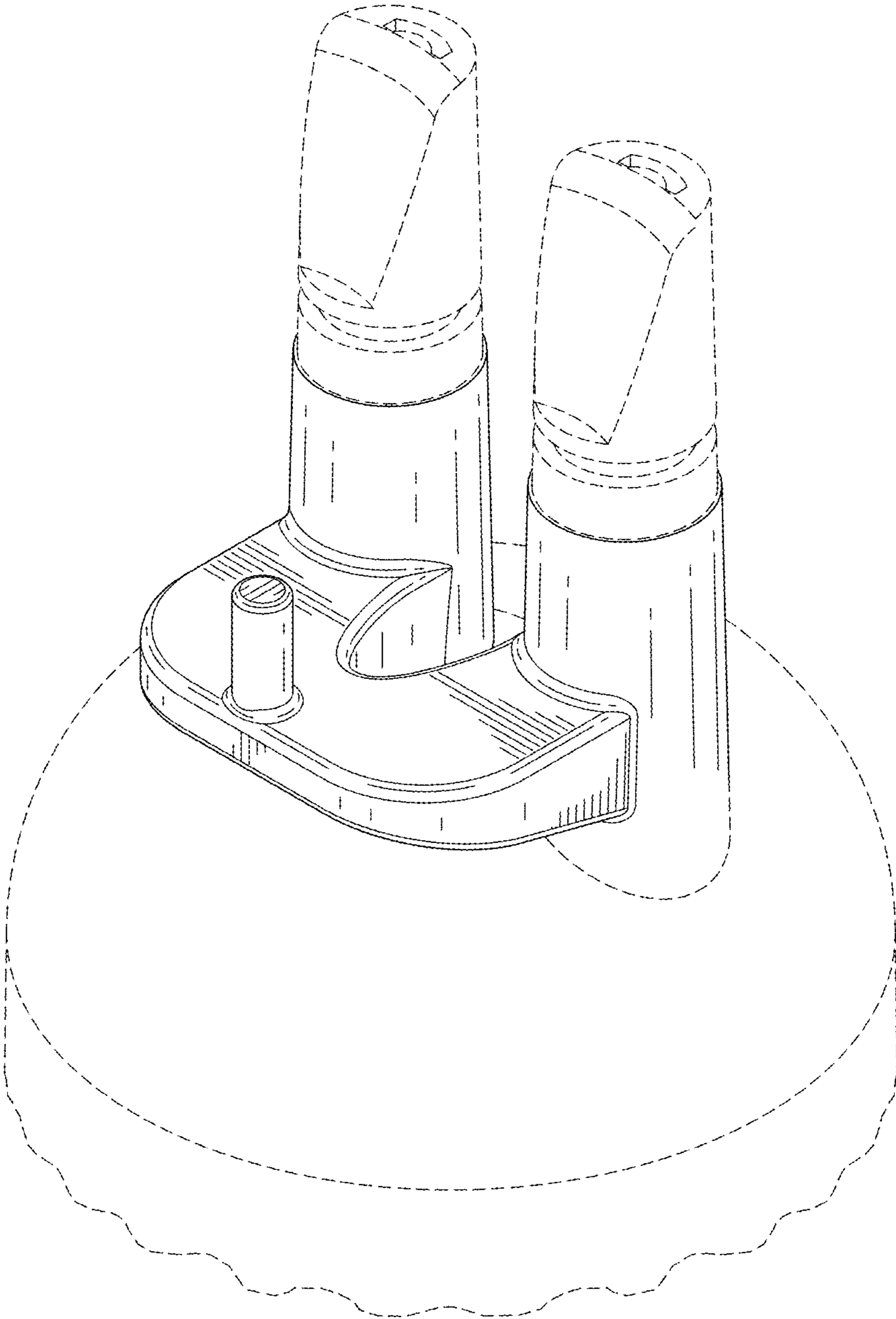


FIG. 1

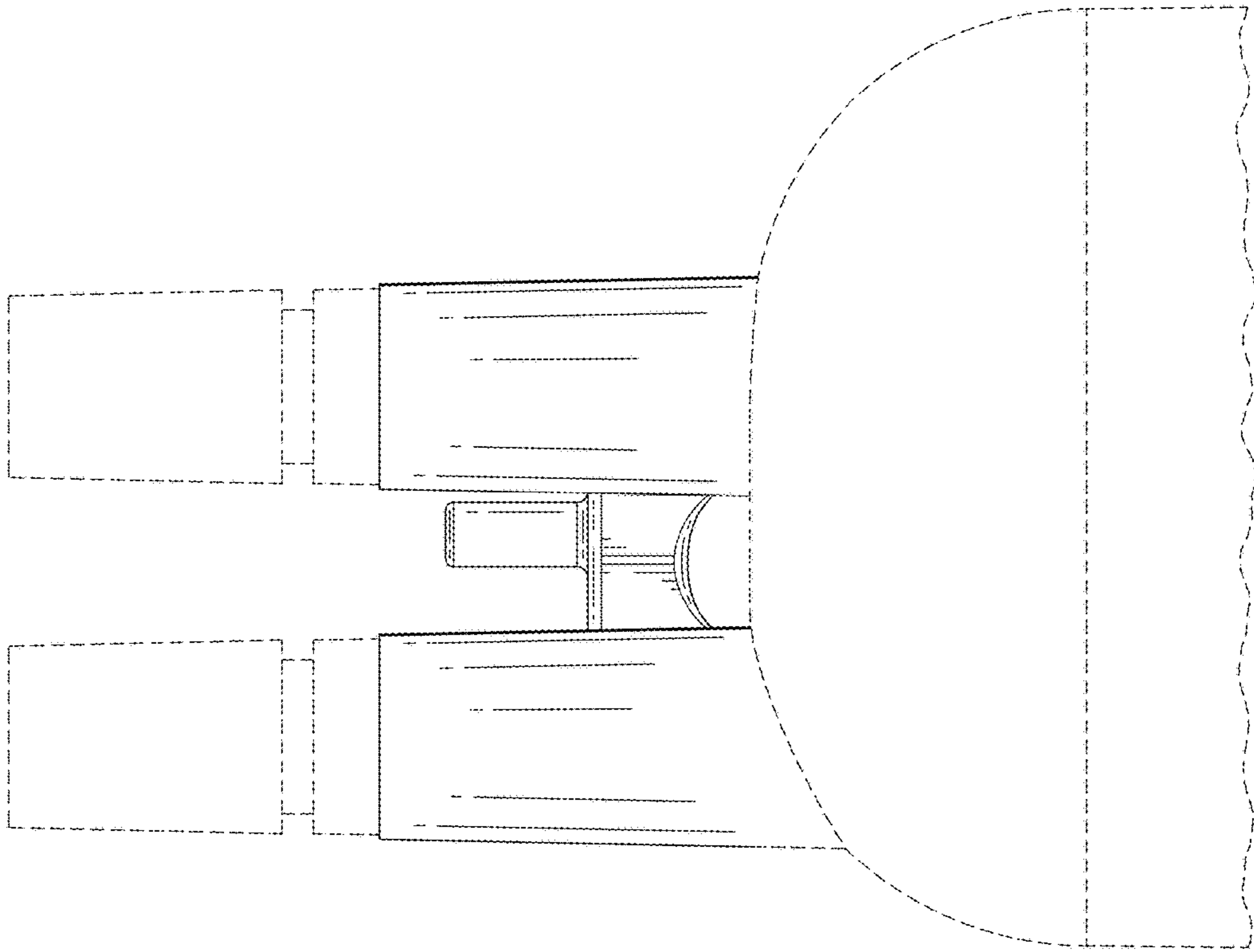


FIG. 3

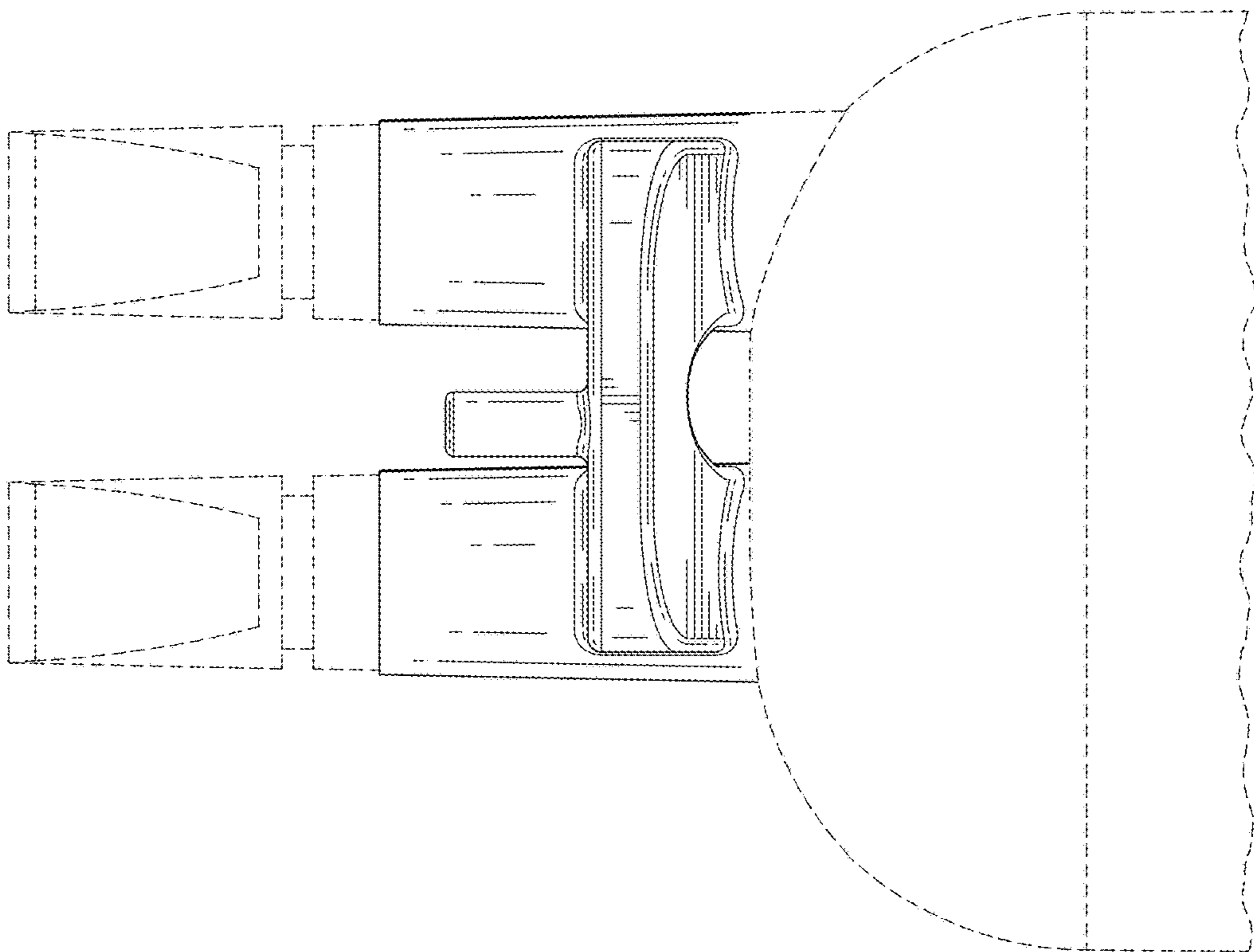


FIG. 2

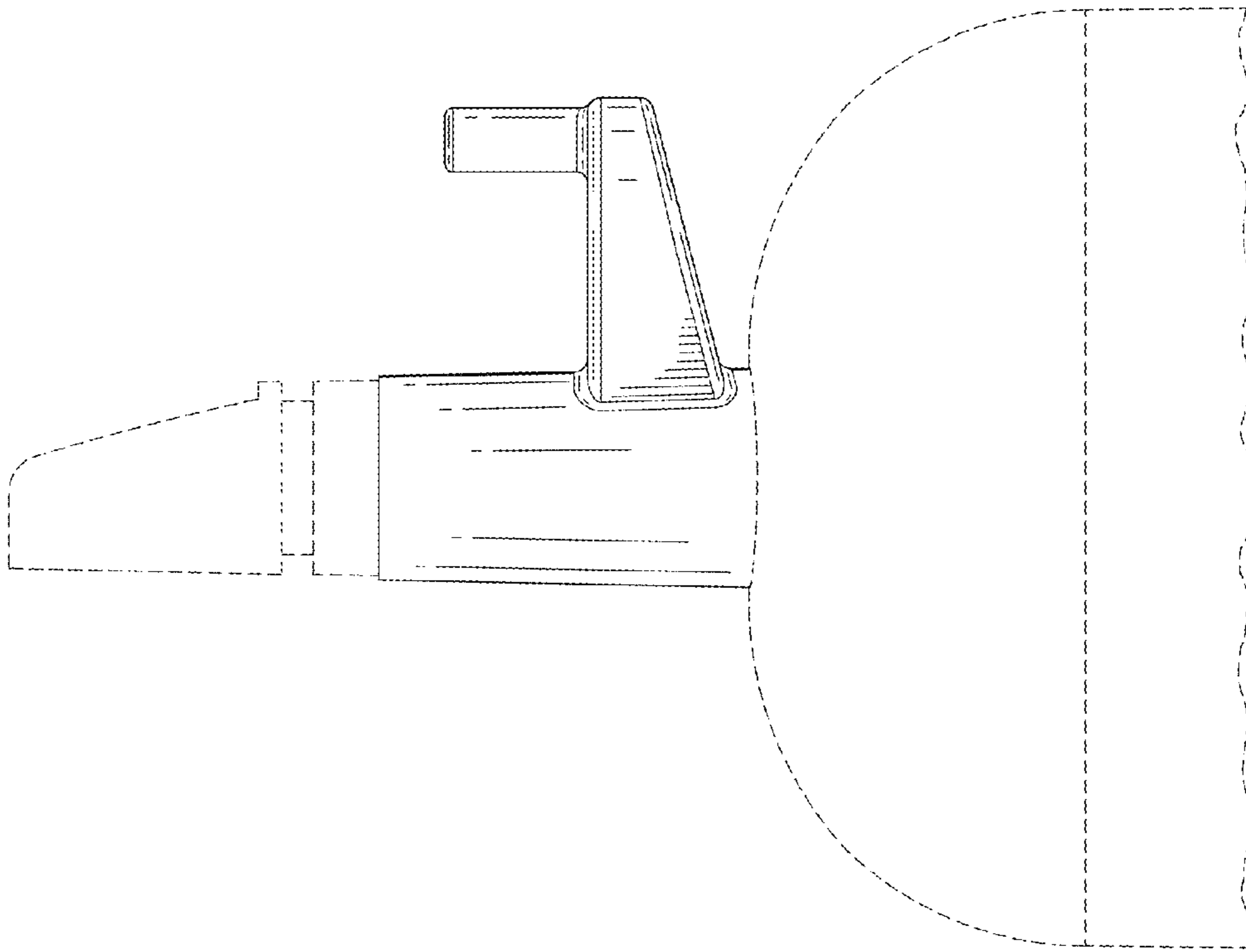


FIG. 4

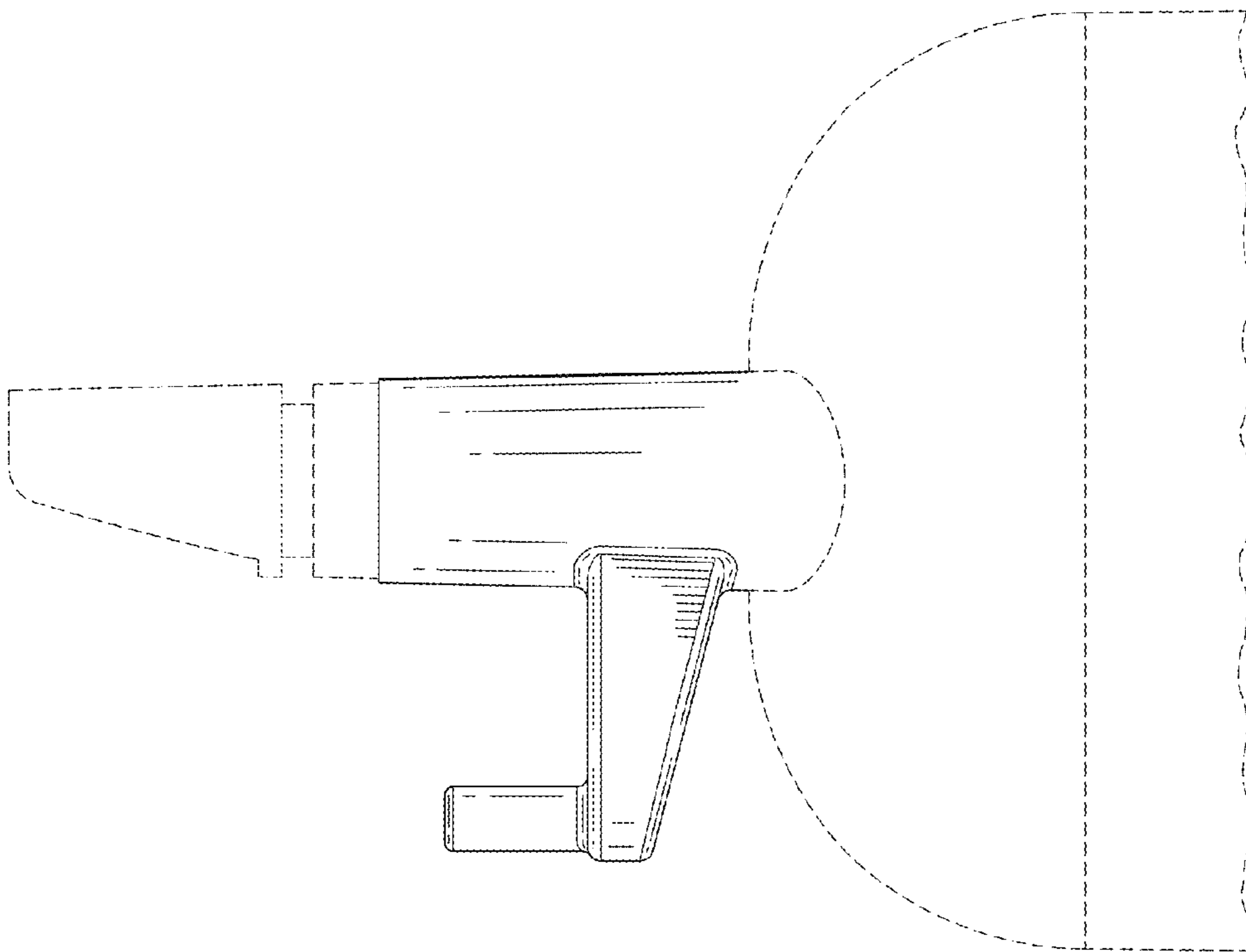


FIG. 5

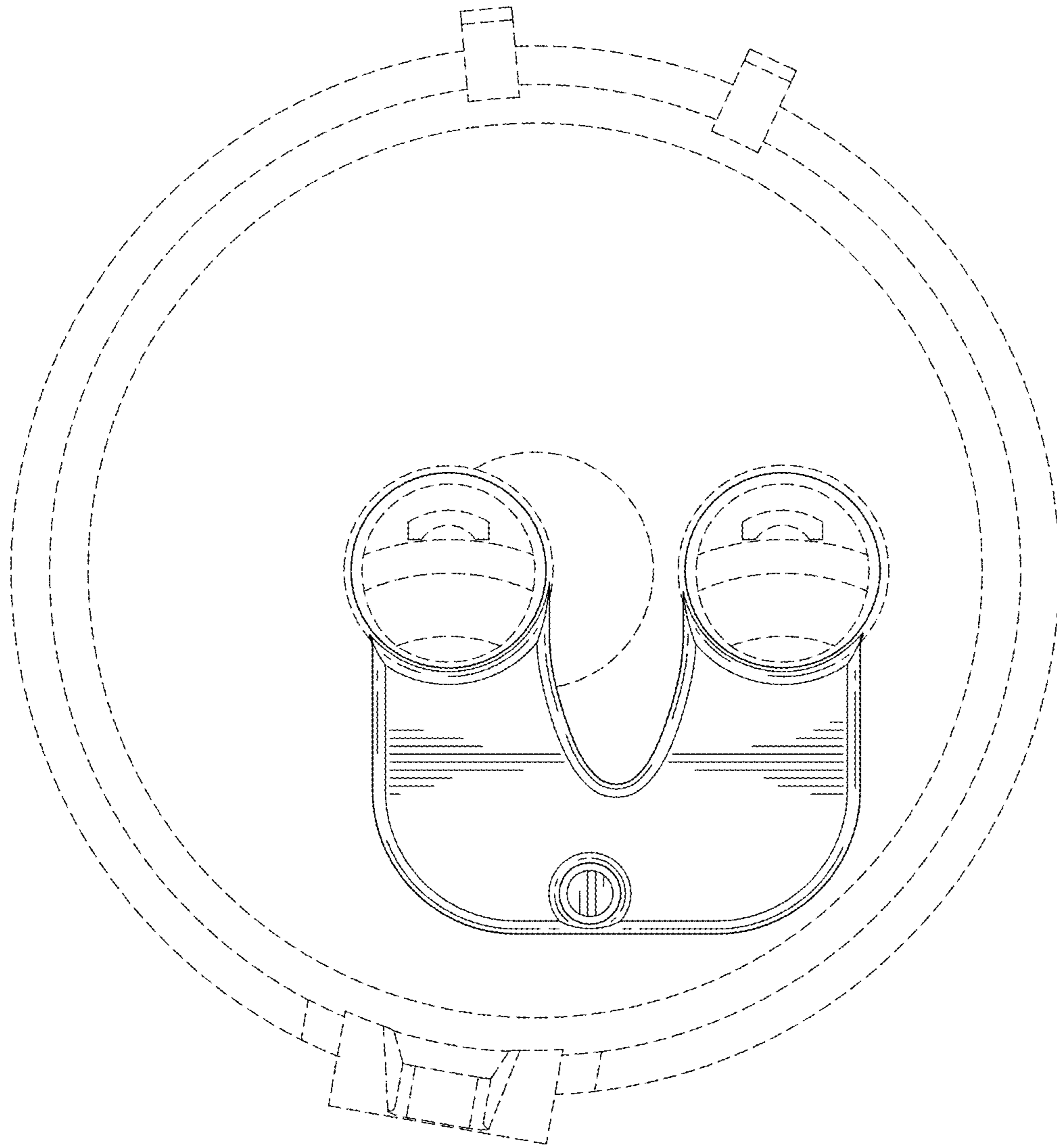


FIG. 6

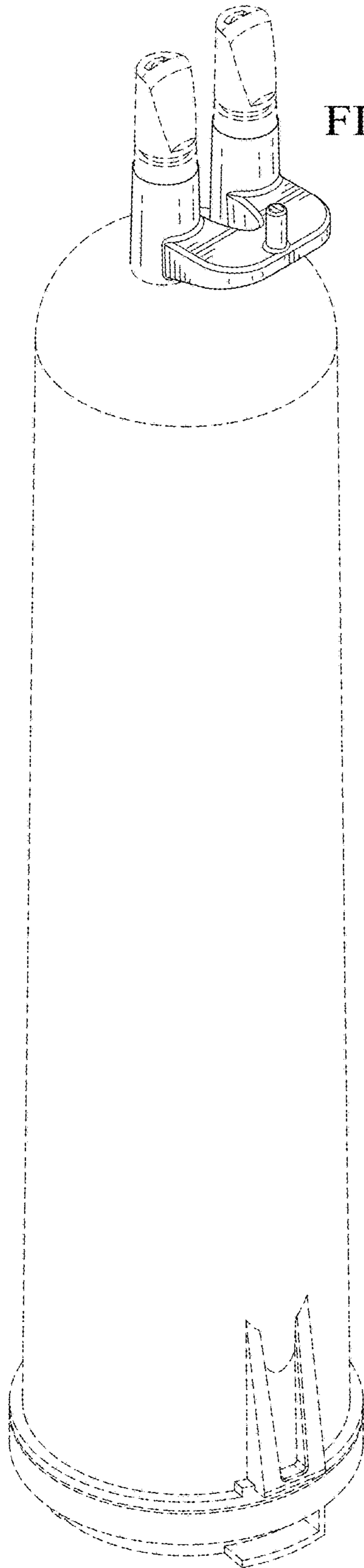


FIG. 7

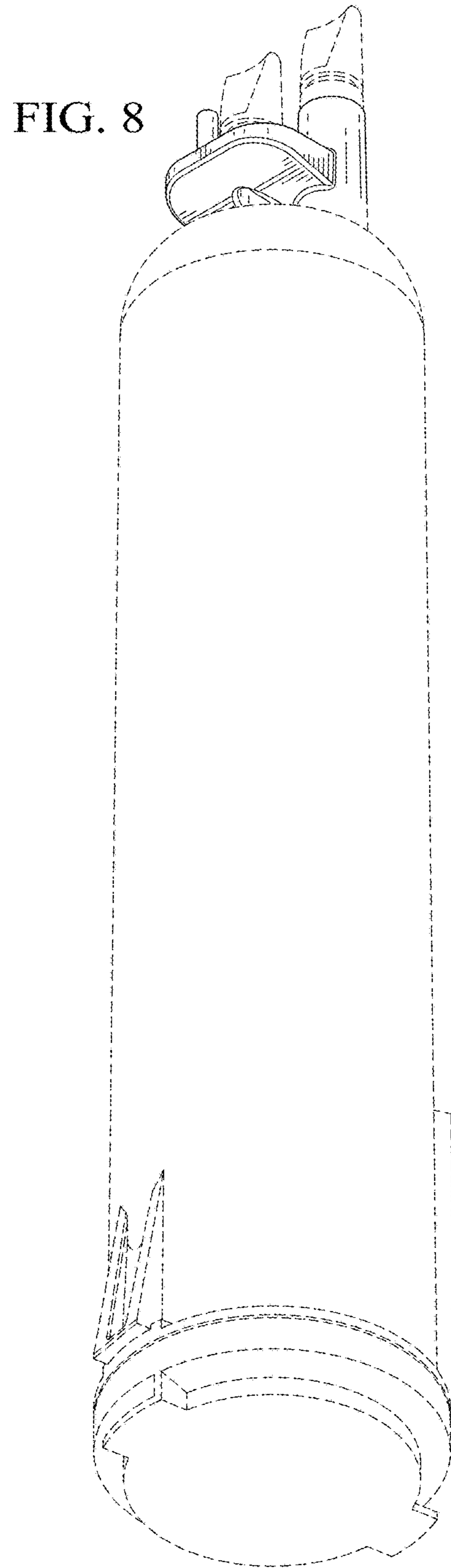


FIG. 8