



US00D784490S

(12) **United States Design Patent**
Larouche

(10) **Patent No.:** **US D784,490 S**

(45) **Date of Patent:** **** Apr. 18, 2017**

(54) **SWIMMING POOL CHLORINE DISPENSER**

(71) Applicant: **CPA POOL PRODUCTS, INC.**,
Blainville (CA)

(72) Inventor: **Annie Larouche**, Mascouche (CA)

(73) Assignee: **CPA POOL PRODUCTS, INC.**,
Blaineville (CA)

(**) Term: **15 Years**

(21) Appl. No.: **29/562,986**

(22) Filed: **Apr. 30, 2016**

(51) **LOC (10) Cl.** **23-01**

(52) **U.S. Cl.**
USPC **D23/208**

(58) **Field of Classification Search**
USPC D23/207–209; 422/264, 265;
210/167.11, 754, 242.1
CPC C02F 1/688; C02F 2103/42
See application file for complete search history.

(56) **References Cited**

U.S. PATENT DOCUMENTS

D309,493 S *	7/1990	Casberg	D23/208
5,055,183 A *	10/1991	Buchan	B01F 1/0027
				210/167.11
5,076,315 A *	12/1991	King	B01F 1/0033
				137/268
D328,333 S *	7/1992	Casberg	D23/208
5,476,116 A *	12/1995	Price	C02F 1/688
				137/268
D371,824 S *	7/1996	Price	D23/207
6,238,553 B1 *	5/2001	Lin	C02F 1/008
				204/412
D486,881 S *	2/2004	Pecci	D23/207
D559,944 S *	1/2008	Bruneel	D23/207
7,487,790 B2 *	2/2009	King	B01F 1/0027
				137/268

D629,486 S *	12/2010	Rossano	D23/208
D630,705 S *	1/2011	Rossano	D23/208
7,922,982 B1 *	4/2011	Brennan	C02F 1/688
				210/167.11
8,585,967 B2 *	11/2013	Snetting	B01F 1/0027
				422/265
8,728,406 B2 *	5/2014	Van Der Meijden	B01F 1/0033
				137/268
D736,344 S *	8/2015	Chalifoux	D23/208

* cited by examiner

Primary Examiner — Robin V Webster

(74) *Attorney, Agent, or Firm* — Hodgson Russ LLP

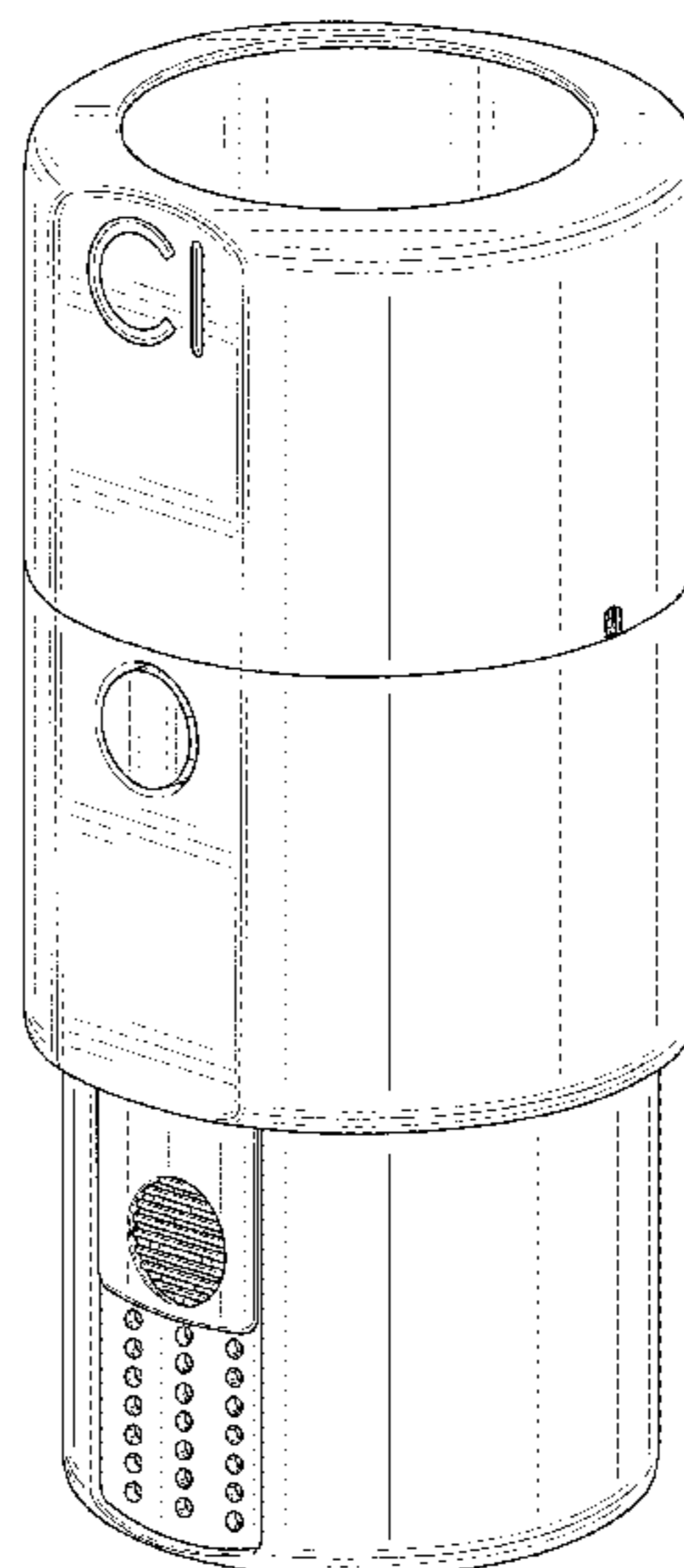
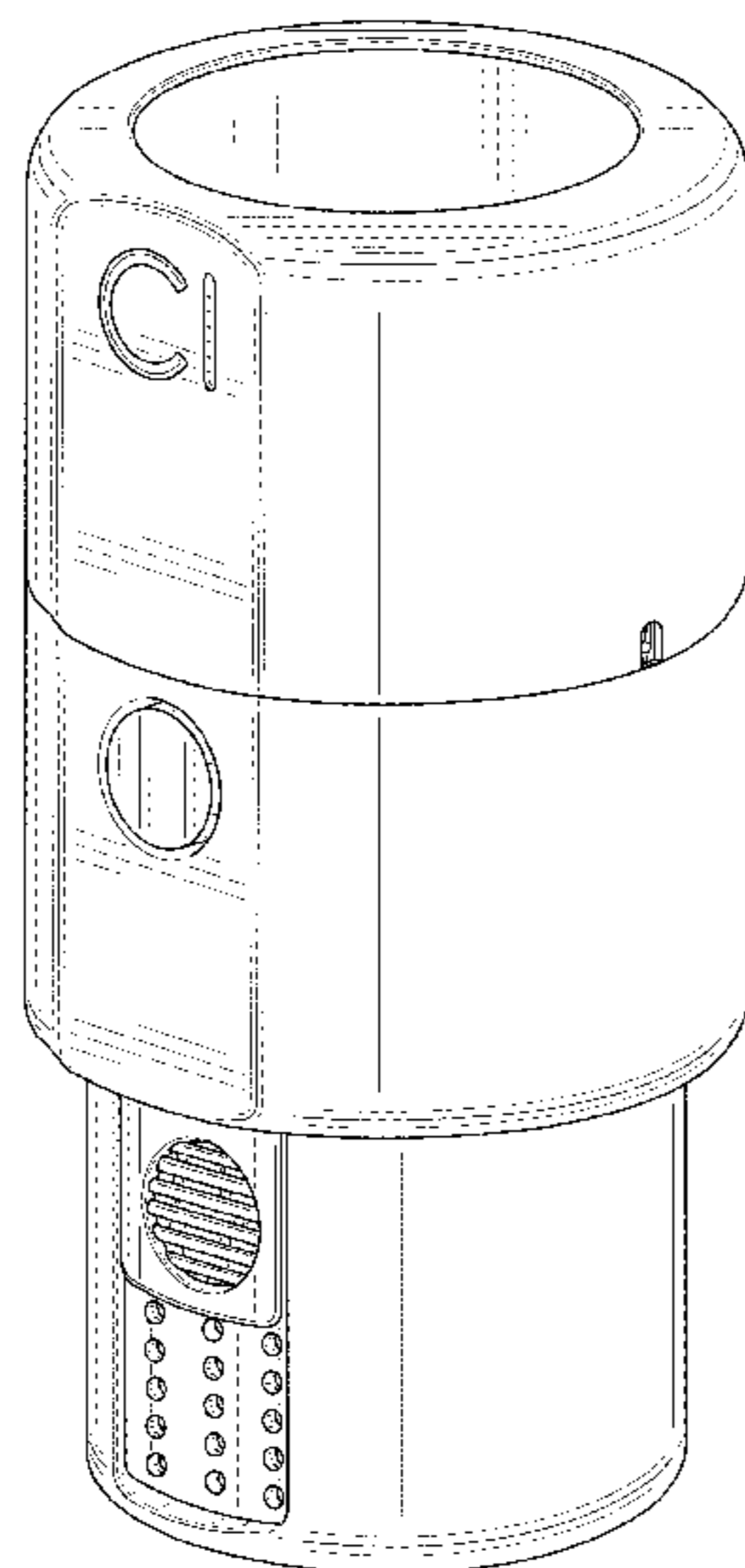
(57) **CLAIM**

The ornamental design for a swimming pool chlorine dispenser, as shown and described.

DESCRIPTION

FIG. 1 is a front-right-top perspective view of a first embodiment of a swimming pool chlorine dispenser showing my new design;
 FIG. 2 is a front-bottom-left perspective view thereof;
 FIG. 3 is a front elevational view thereof;
 FIG. 4 is a rear elevational bottom view thereof;
 FIG. 5 is a right side elevational view thereof;
 FIG. 6 is a left side elevational view thereof;
 FIG. 7 is a top view thereof;
 FIG. 8 is a bottom view thereof;
 FIG. 9 is a front-right-top perspective view of a second embodiment of a swimming pool chlorine dispenser;
 FIG. 10 is a front-bottom-left perspective view thereof;
 FIG. 11 is a front elevational view thereof;
 FIG. 12 is a rear elevational bottom view thereof;
 FIG. 13 is a right side elevational view thereof;
 FIG. 14 is a left side elevational view thereof;
 FIG. 15 is a top view thereof; and,
 FIG. 16 is a bottom view thereof.

1 Claim, 16 Drawing Sheets



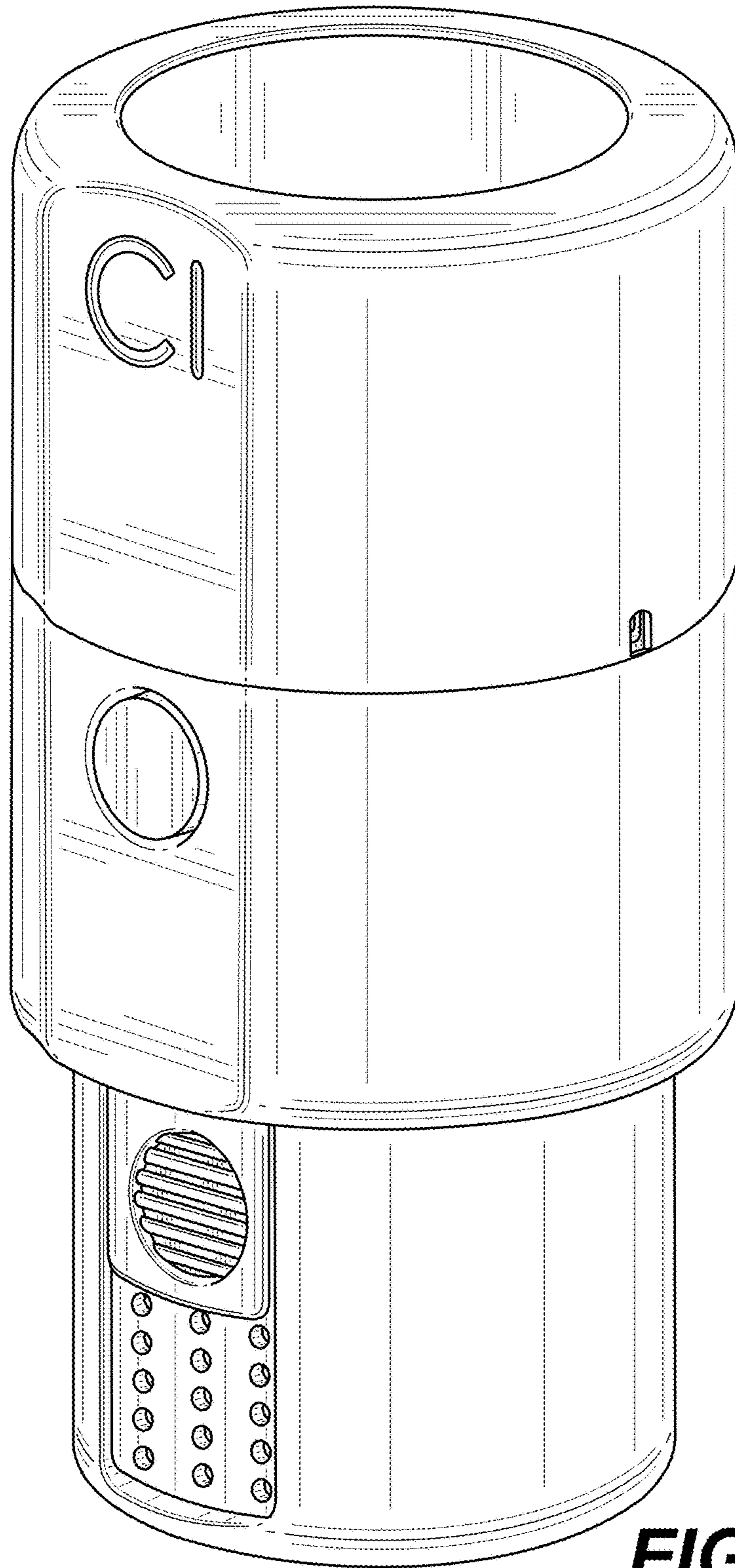


FIG. 1

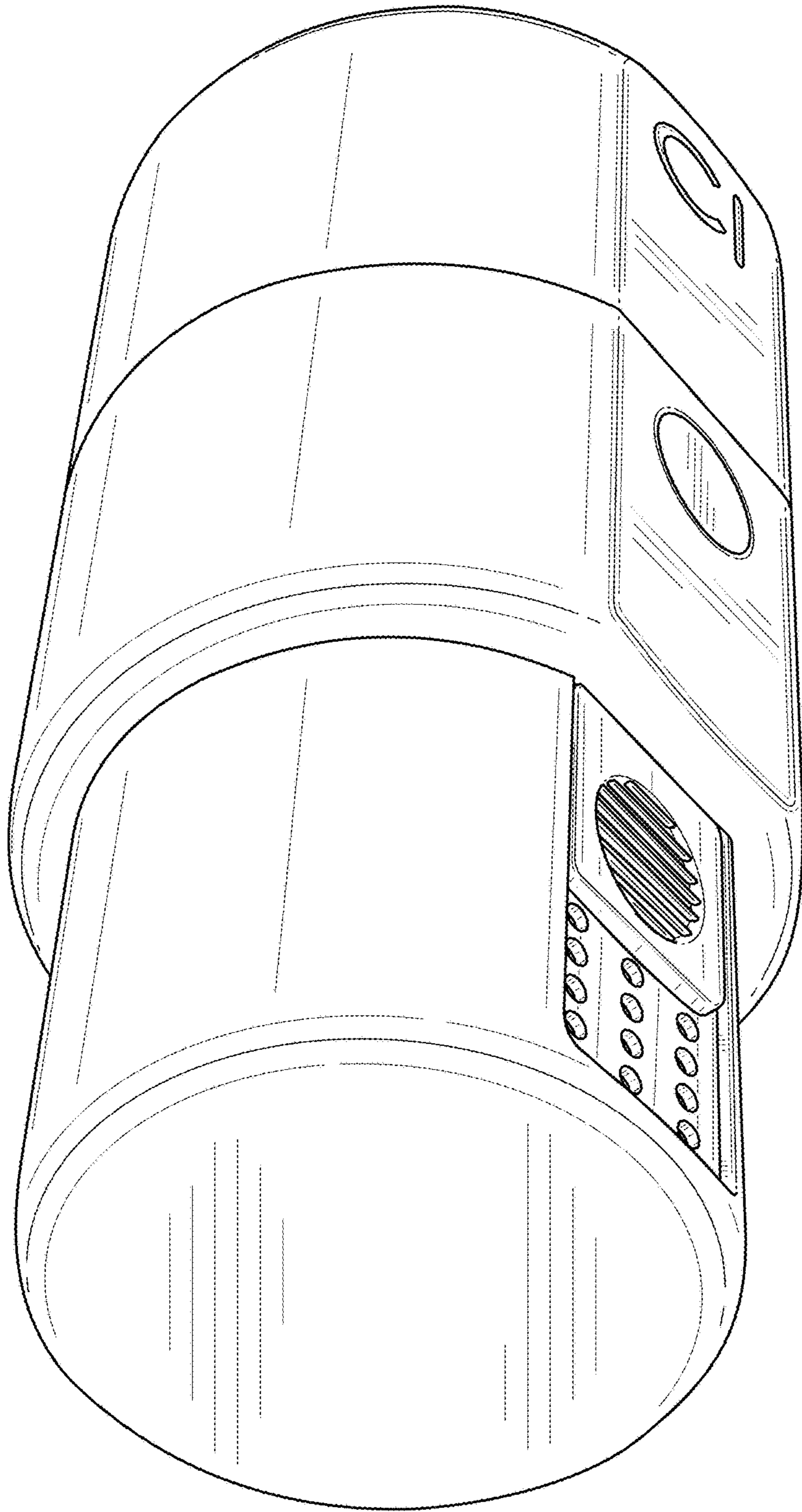


FIG. 2

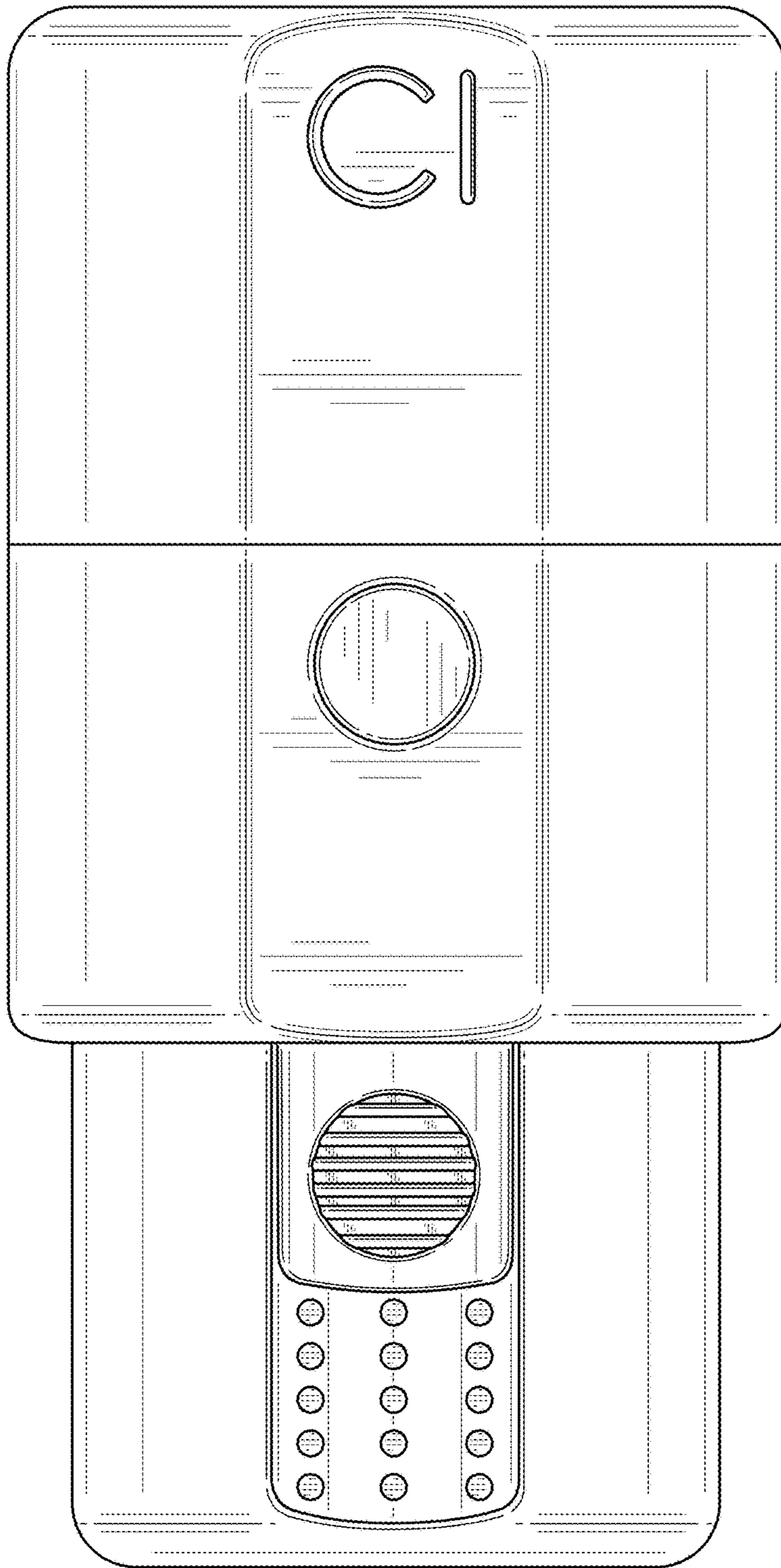


FIG. 3

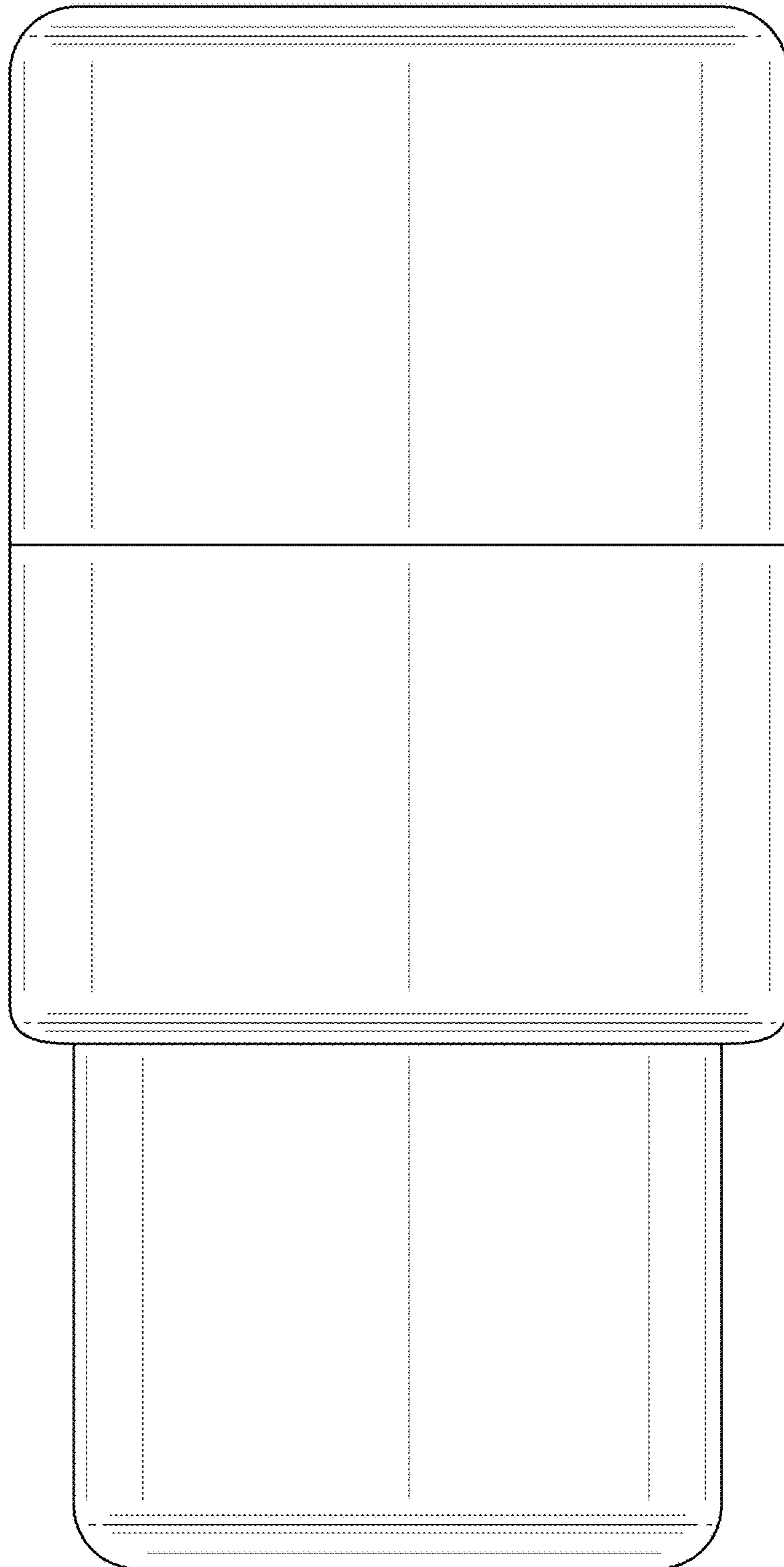


FIG. 4

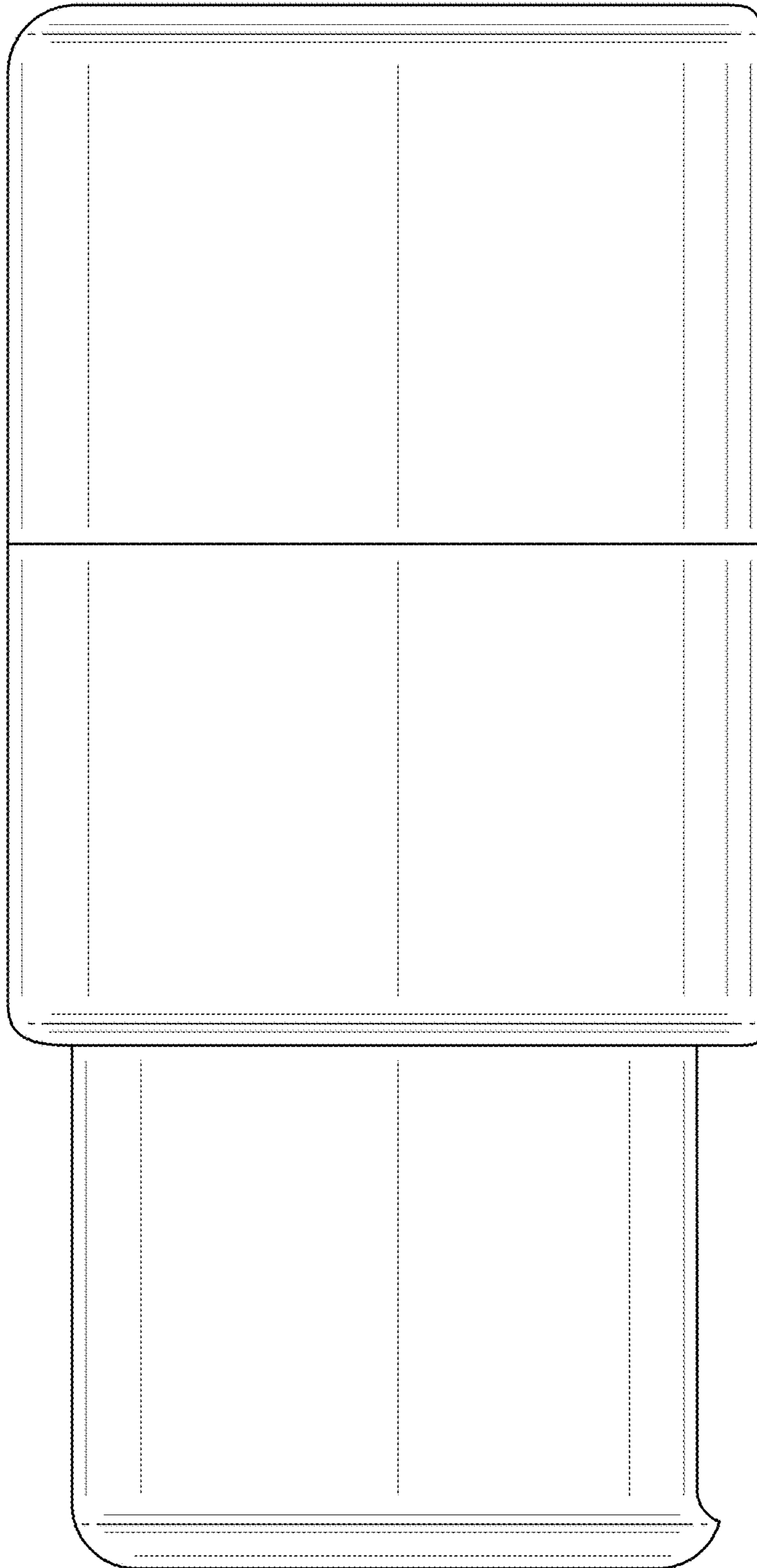


FIG. 5

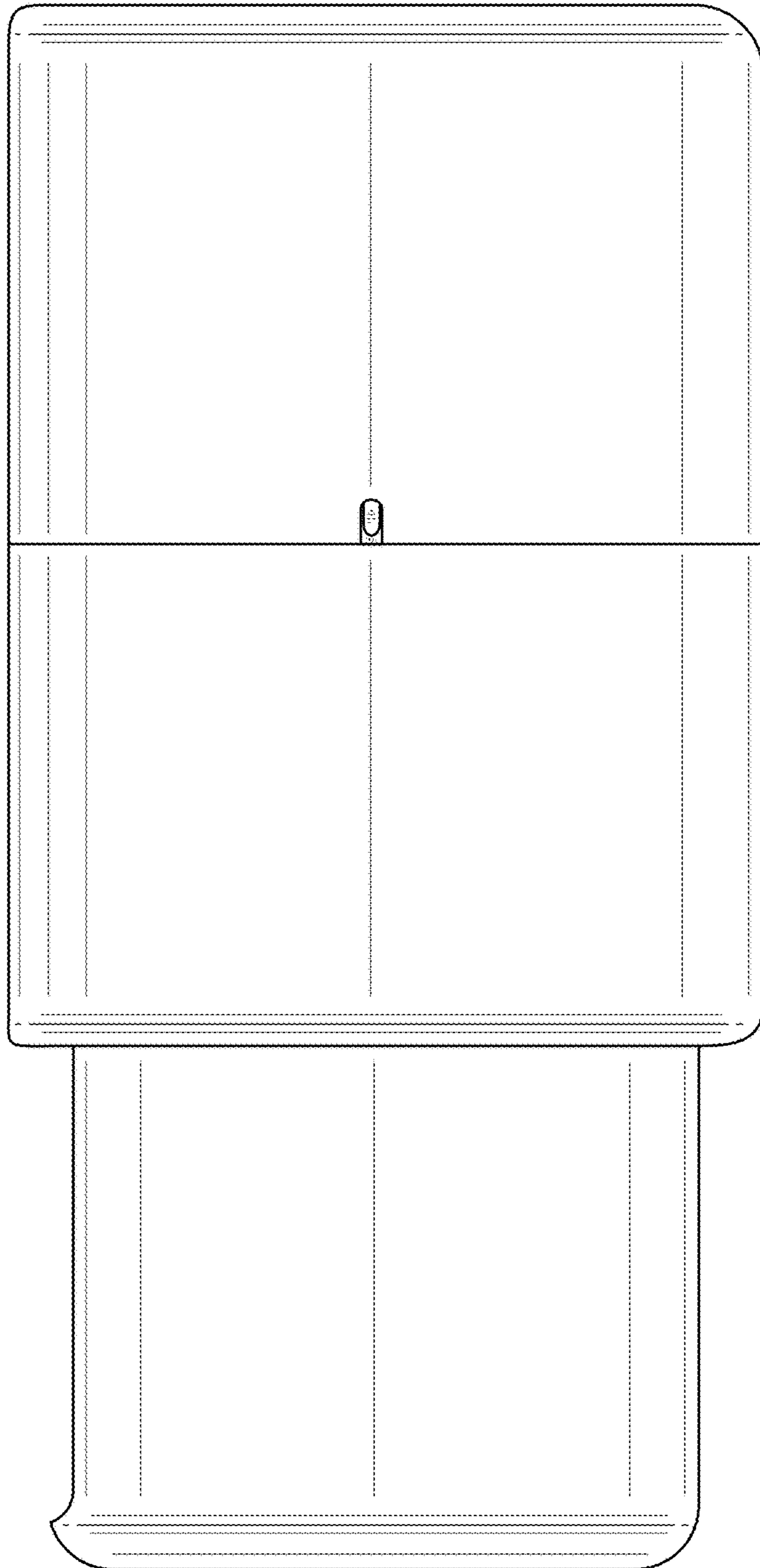


FIG. 6

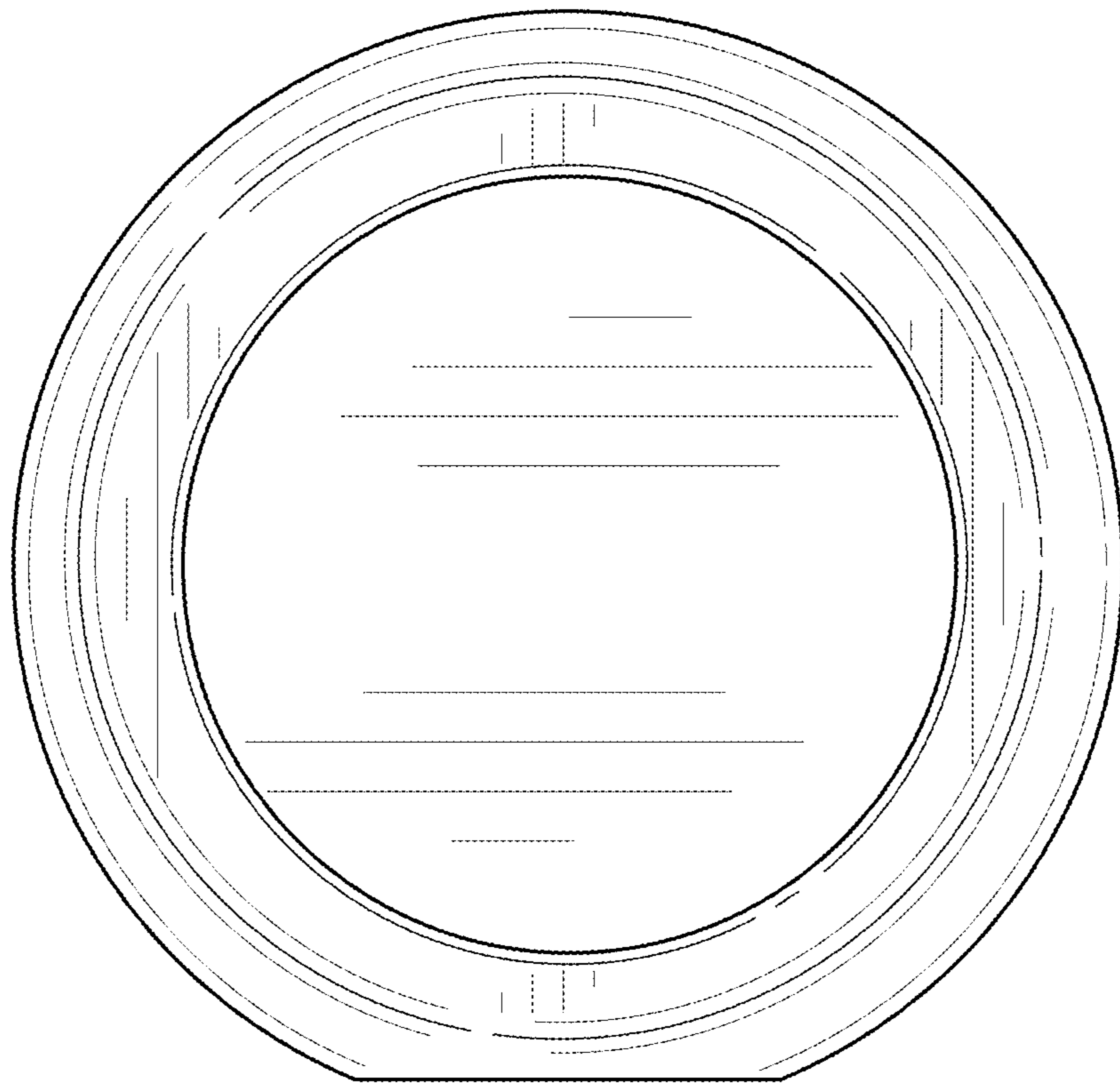


FIG. 7

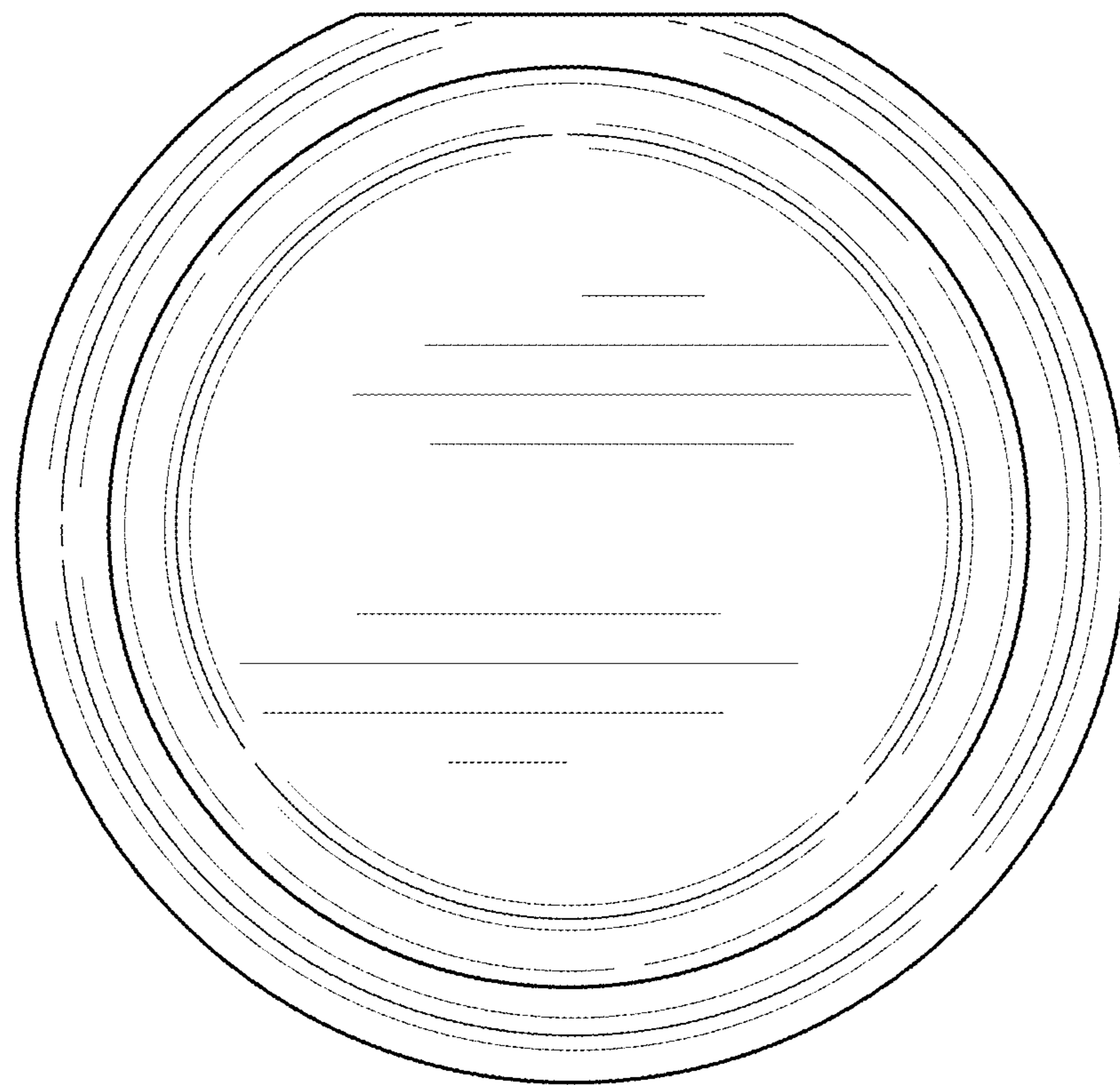


FIG. 8

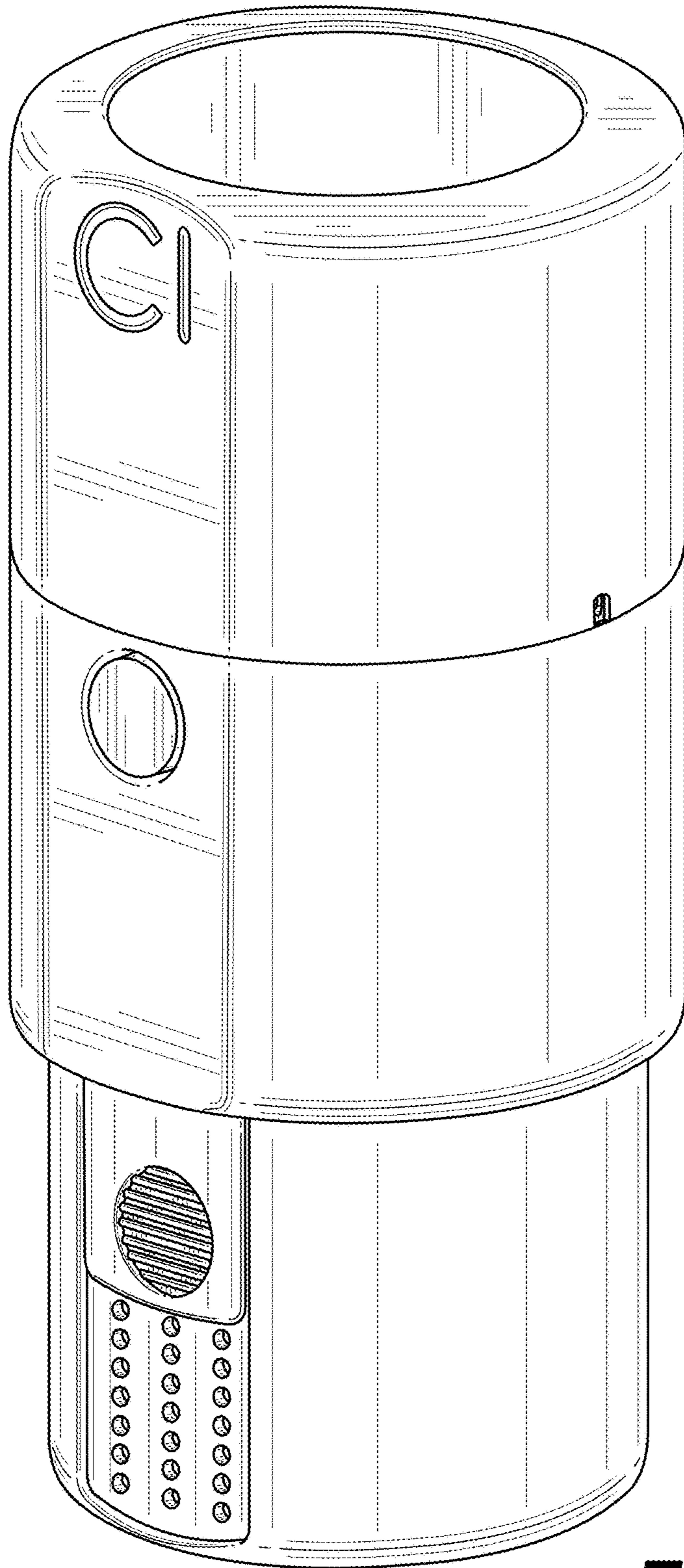


FIG. 9

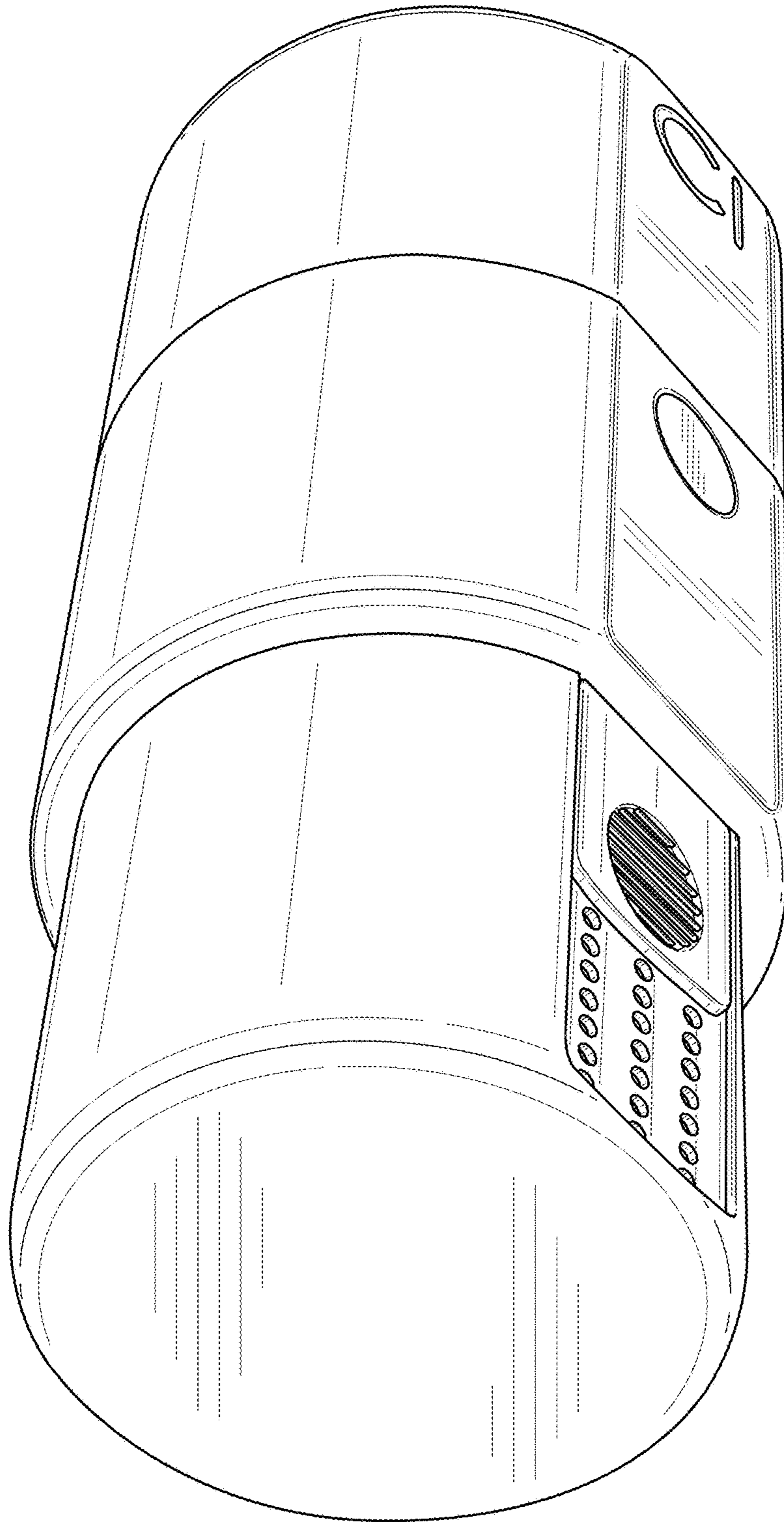


FIG. 10

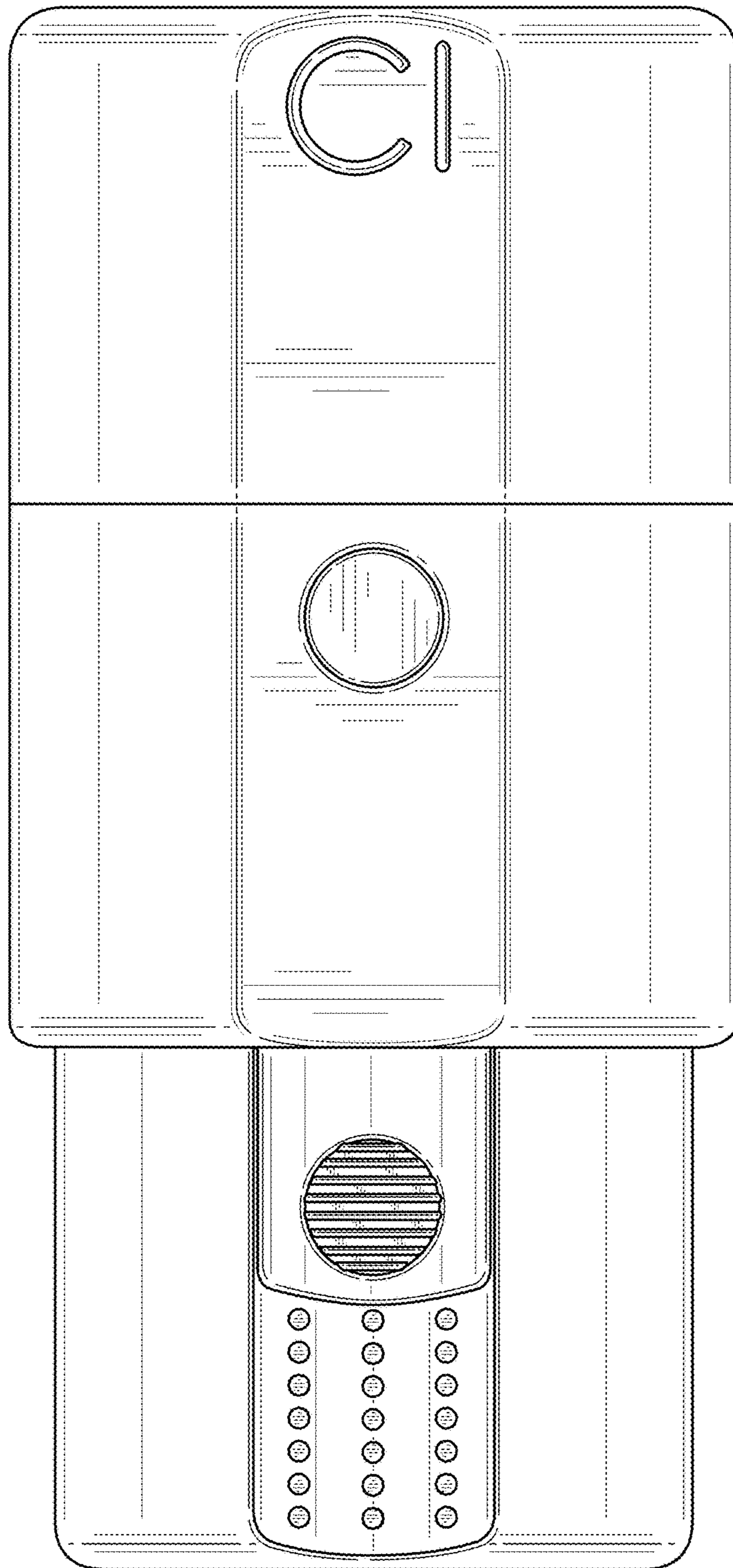


FIG. 11

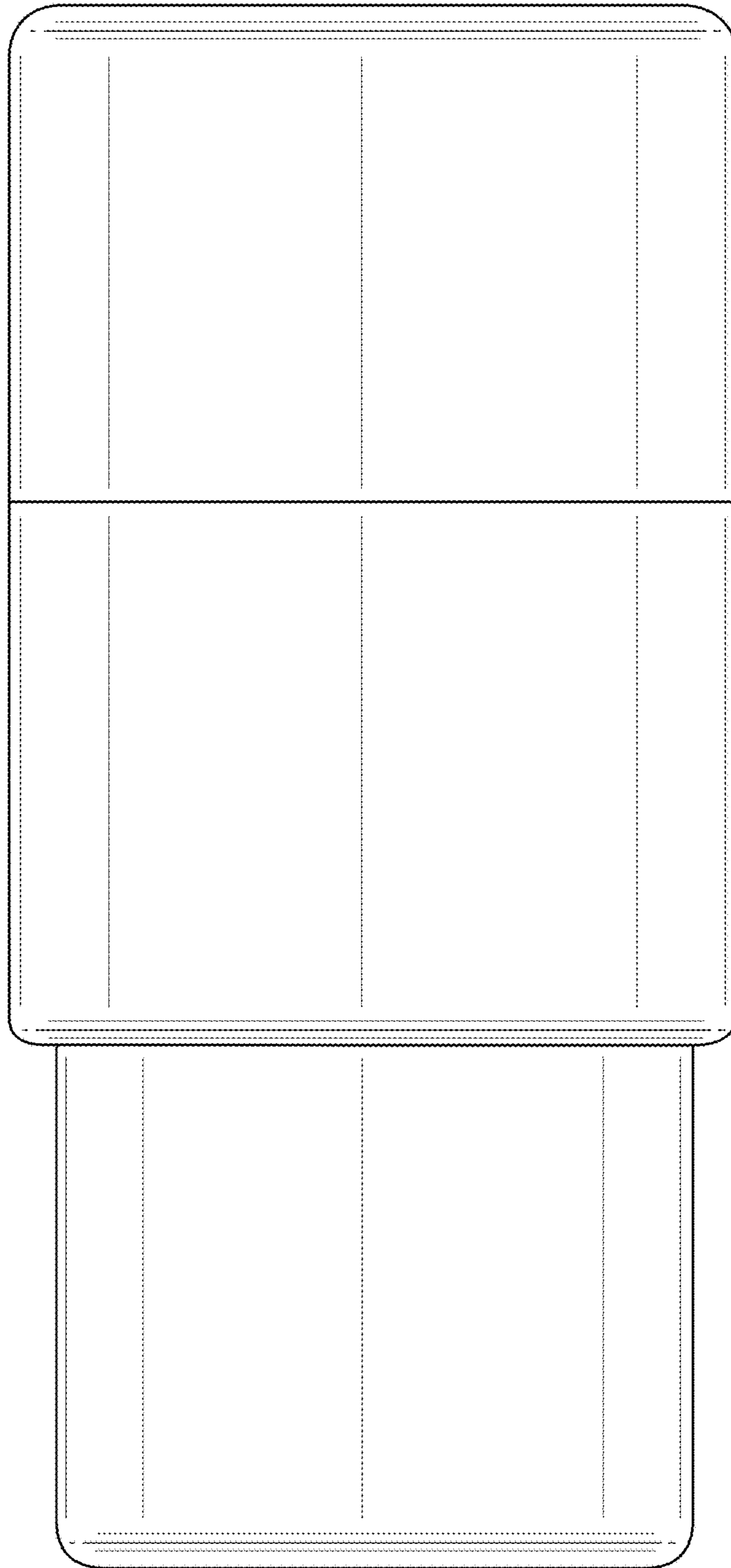


FIG. 12

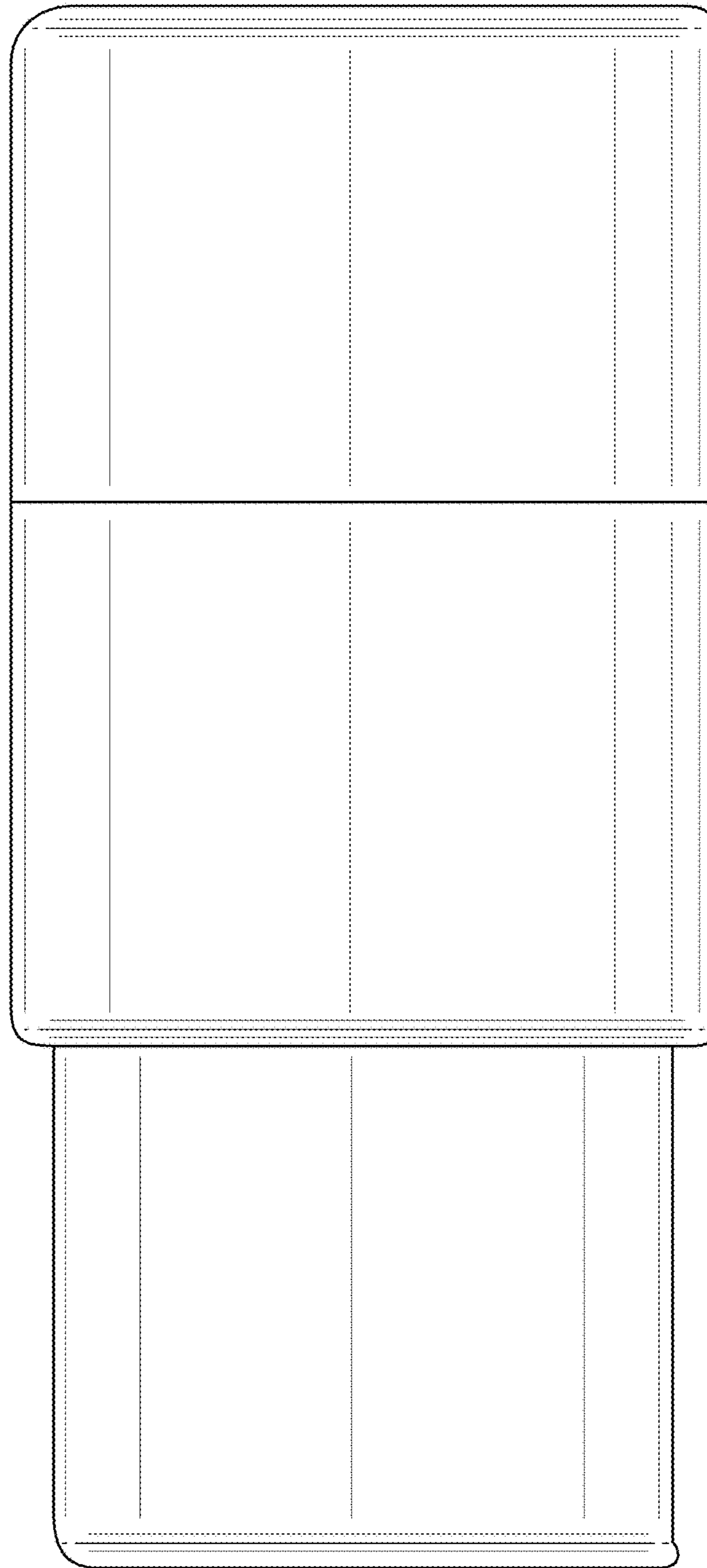


FIG. 13

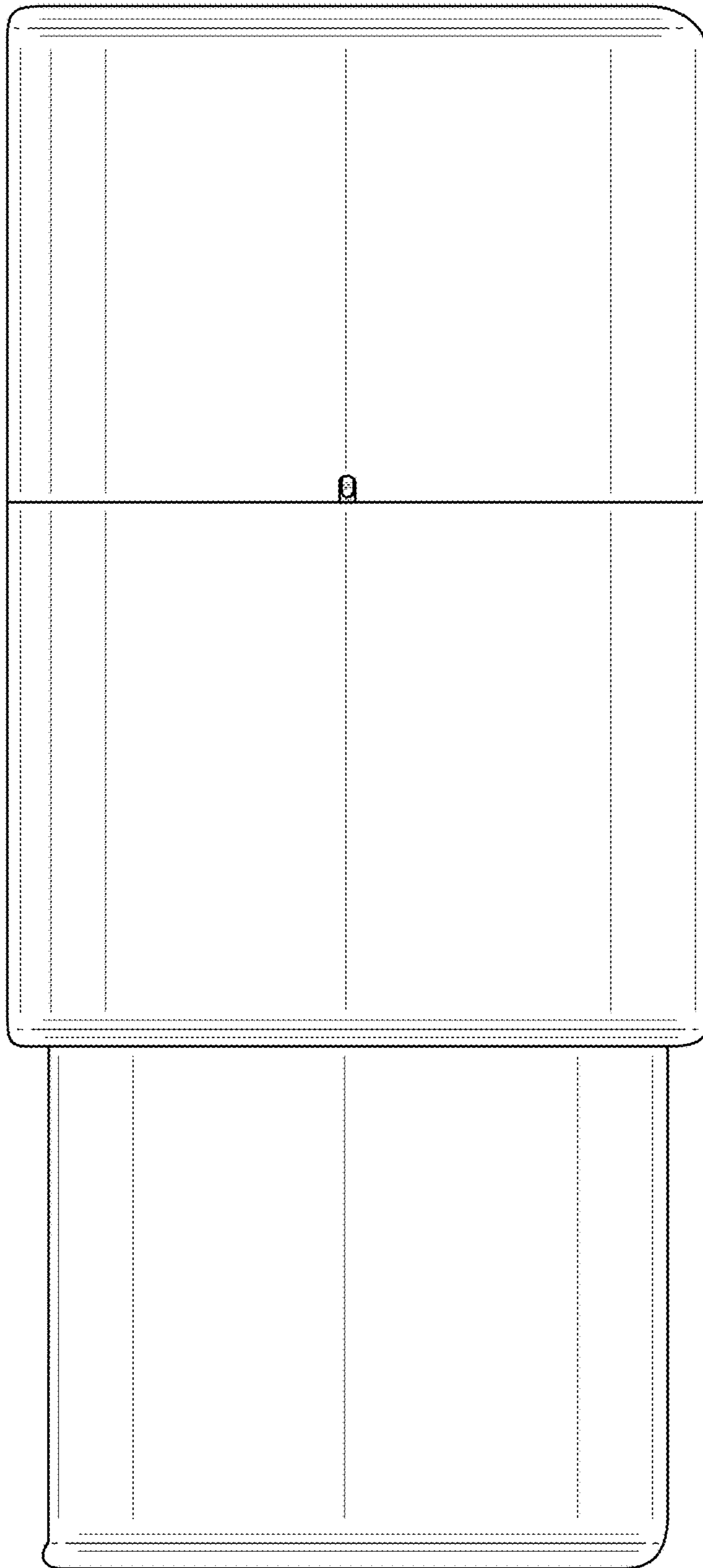


FIG. 14

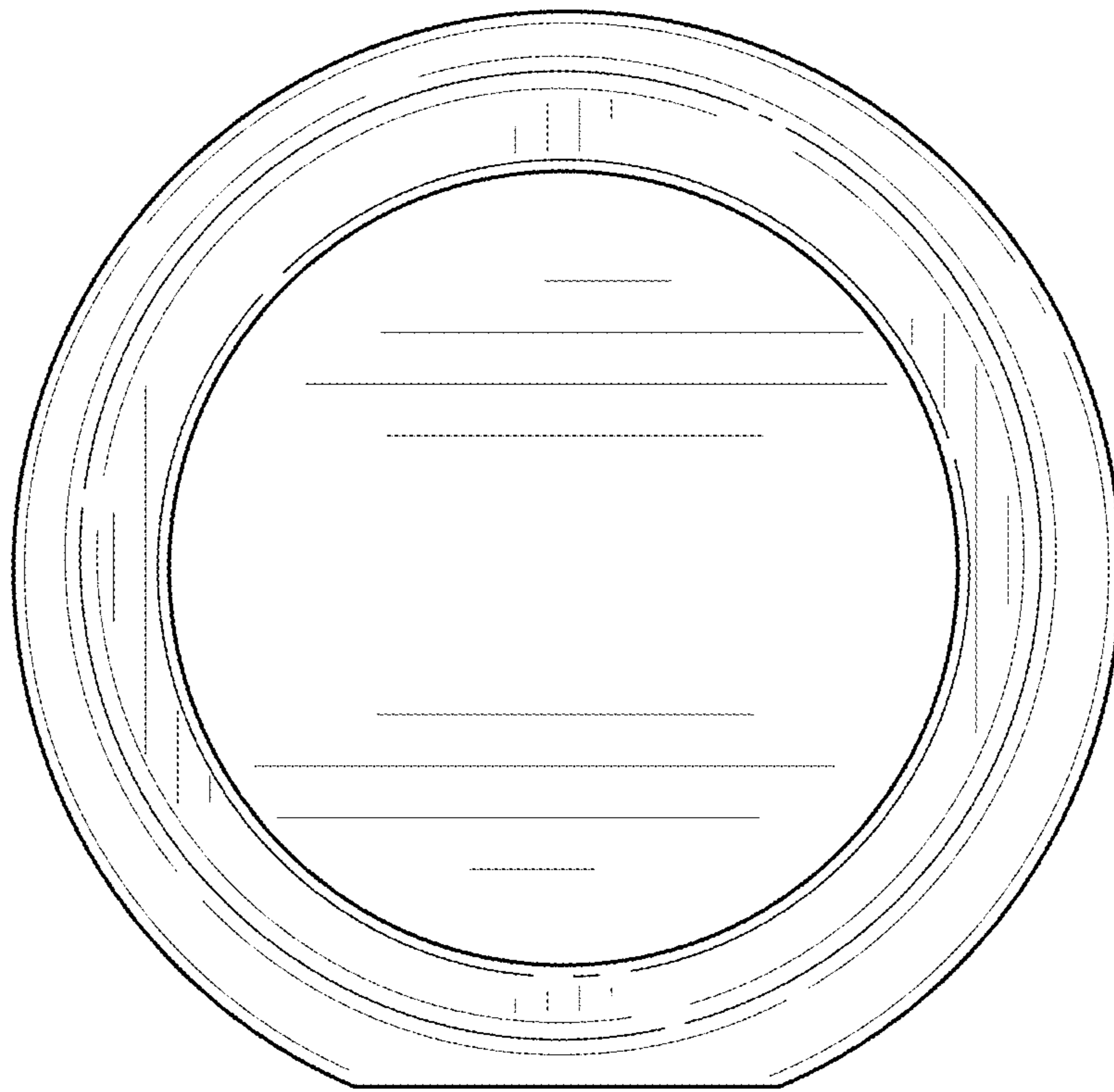


FIG. 15

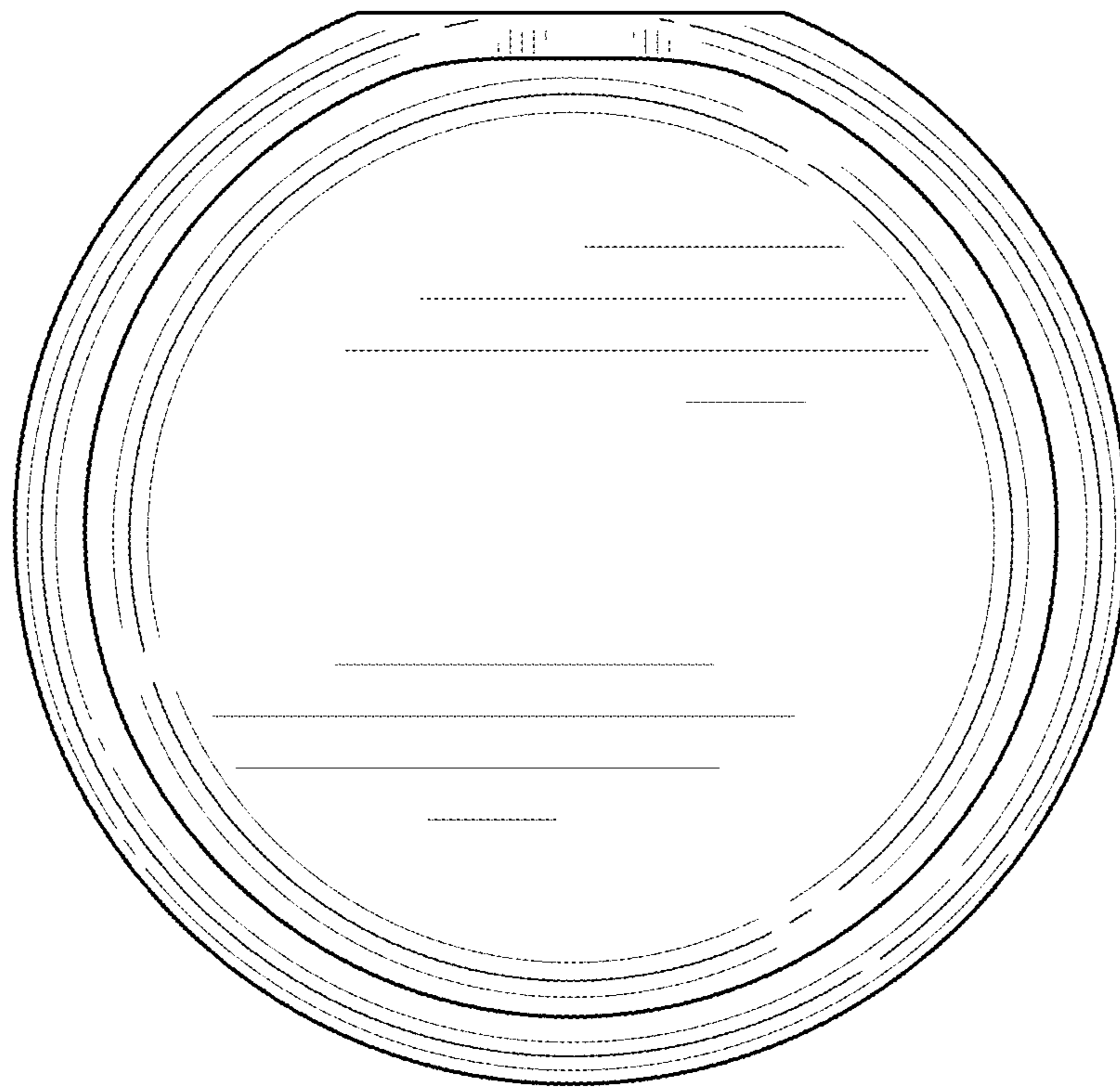


FIG. 16