



US00D784489S

(12) **United States Design Patent**
Coetzer

(10) **Patent No.:** **US D784,489 S**
(45) **Date of Patent:** **** Apr. 18, 2017**

(54) **DECORATIVE ENDS FOR RIBS ON A TANK CONTAINER**

(71) Applicant: **Southey Holdings Proprietary Limited**, Cape Town (ZA)

(72) Inventor: **Paul Alexander Coetzer**, Durbanville (ZA)

(73) Assignee: **Southey Holdings Proprietary Limited** (ZA)

(**) Term: **15 Years**

(21) Appl. No.: **29/536,696**

(22) Filed: **Aug. 19, 2015**

(51) **LOC (10) Cl.** **23-01**

(52) **U.S. Cl.**
USPC **D23/206**

(58) **Field of Classification Search**
USPC D23/202, 206; D8/349, 354-6; D3/316; 220/592; 24/16 R, 17 A, 19
See application file for complete search history.

(56) **References Cited**

U.S. PATENT DOCUMENTS

1,353,814	A *	9/1920	Emery	A45C 13/20 190/27
2,339,554	A *	1/1944	Kuhn	F17C 1/08 220/592
2,381,396	A *	8/1945	Kuhn	F17C 1/06 220/592
3,329,297	A *	7/1967	Jordan	B63B 3/13 114/341
3,934,509	A *	1/1976	Saunders	B41F 27/1262 101/415.1
D244,255	S *	5/1977	Snyder	D12/223
5,133,475	A *	7/1992	Sharp	B65D 90/10 220/589

6,189,723	B1 *	2/2001	Davis	F17C 1/06 156/169
6,557,814	B1 *	5/2003	Rutz	B60K 15/07 248/503
6,807,715	B1 *	10/2004	Blair	B65D 63/1027 24/16 PB
7,020,936	B2 *	4/2006	Tsai	A44B 11/006 224/258
D559,942	S *	1/2008	Rogers	D23/206
D561,298	S *	2/2008	Brockington	D23/206
D650,586	S *	12/2011	Hutcheson	D3/316
8,844,760	B2 *	9/2014	Horstman	F17C 1/08 220/581
8,851,321	B2 *	10/2014	Ramoo	B65D 90/02 220/592

* cited by examiner

Primary Examiner — Robin V Webster

(74) *Attorney, Agent, or Firm* — The H.T. Than Law Group

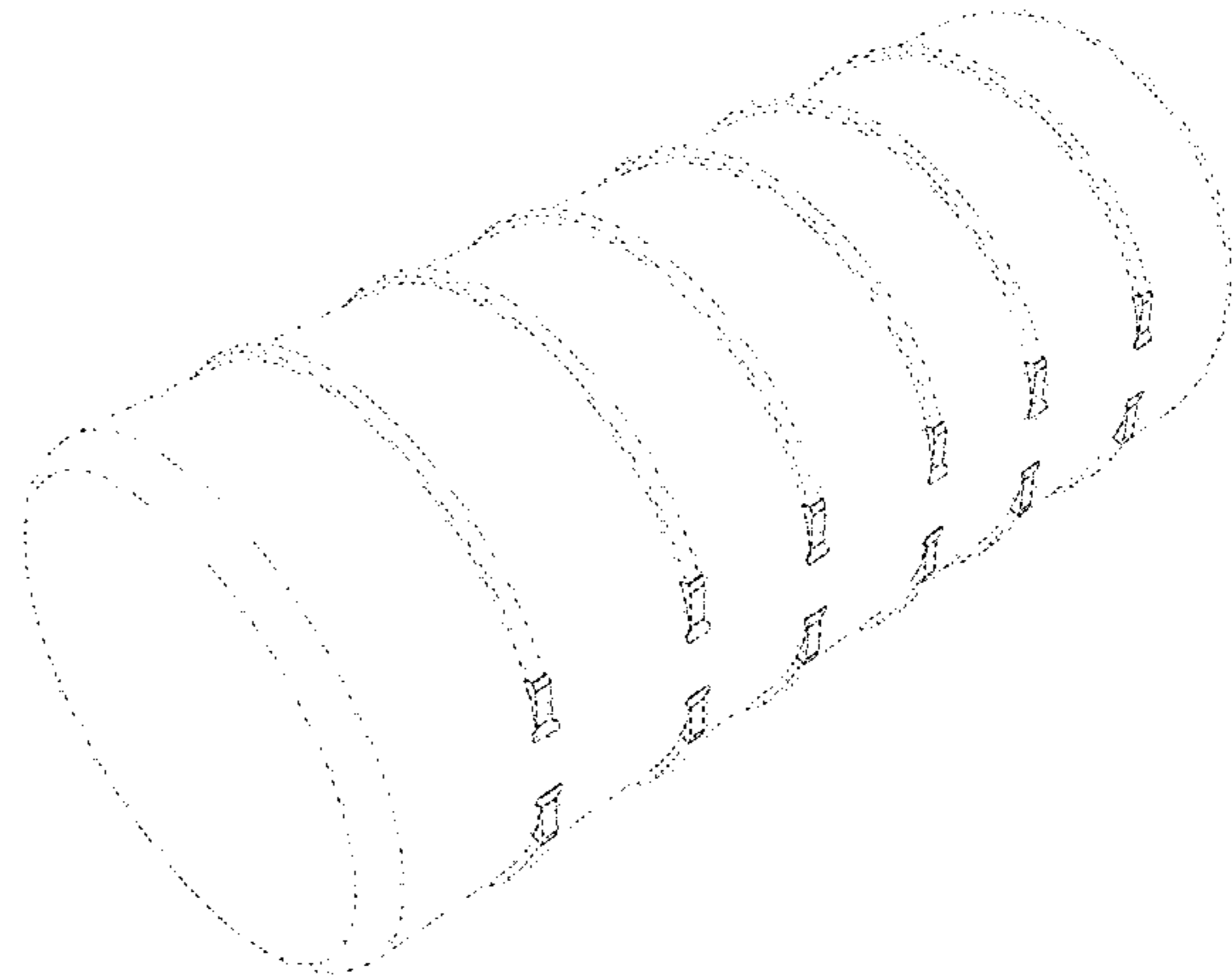
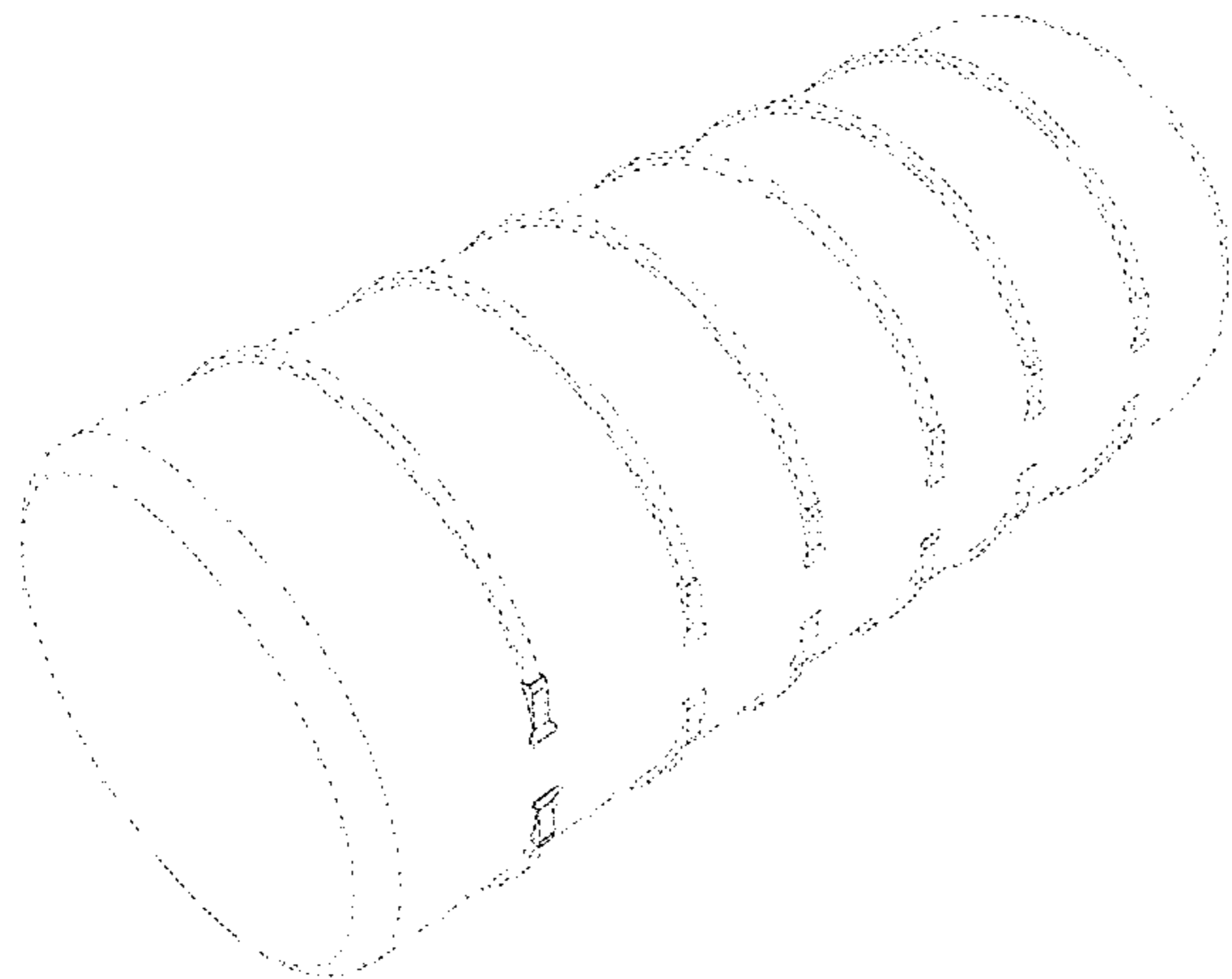
(57) **CLAIM**

I claim the ornamental design for decorative ends for ribs on a tank container, as shown and described.

DESCRIPTION

FIG. 1 is a perspective view of a pair of decorative ends for ribs on a tank container according to a first embodiment of the present invention;
FIG. 2 is an enlarged view of the pair of decorative ends of FIG. 1;
FIG. 3 is a perspective view of pairs of decorative ends for ribs on a tank container according to the second embodiment of the present invention; and,
FIG. 4 is an enlarged view of one pair of ribs of FIG. 3.
All portions shown in broken lines are environmental and illustrative only and form no part of the claimed design.

1 Claim, 4 Drawing Sheets



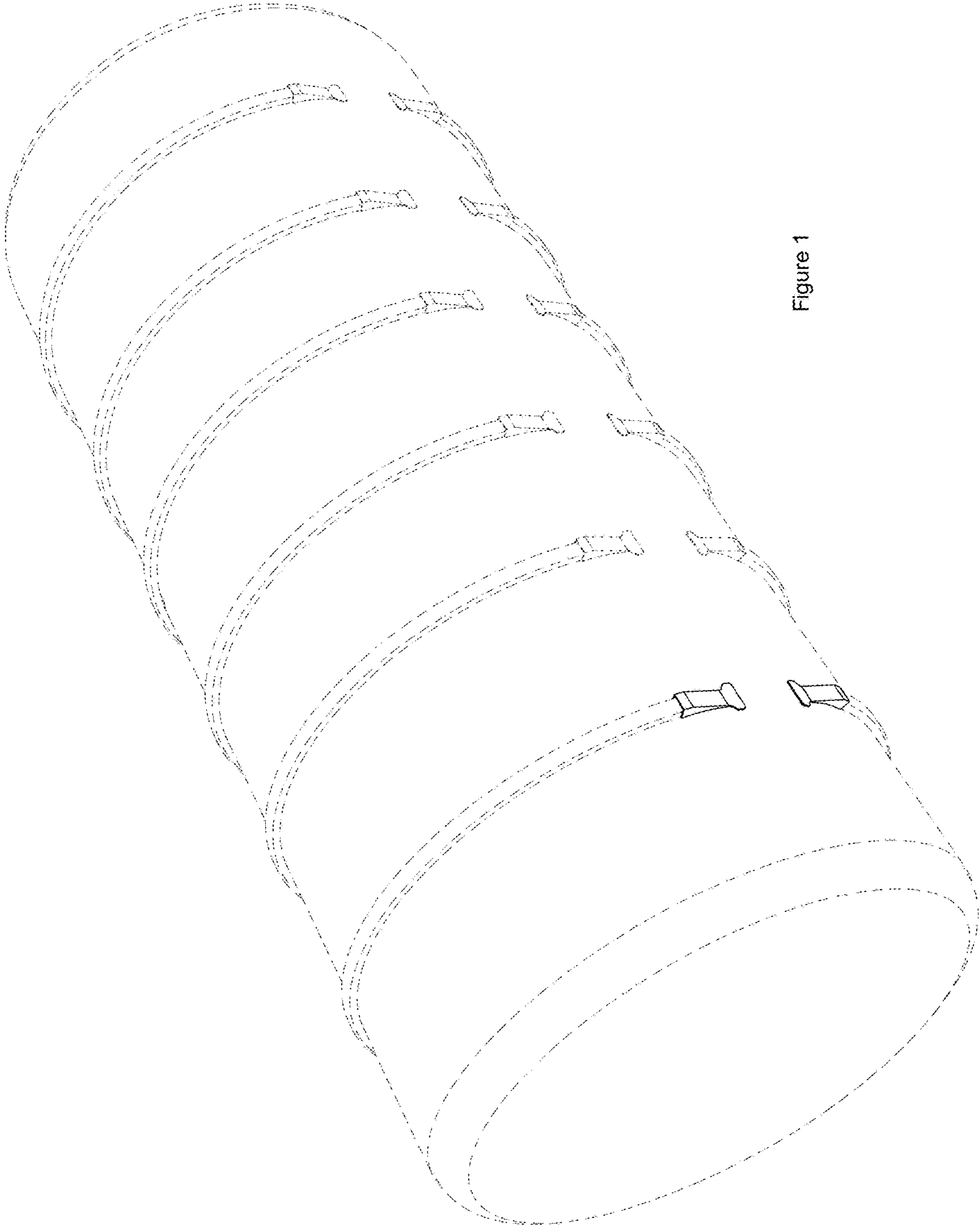
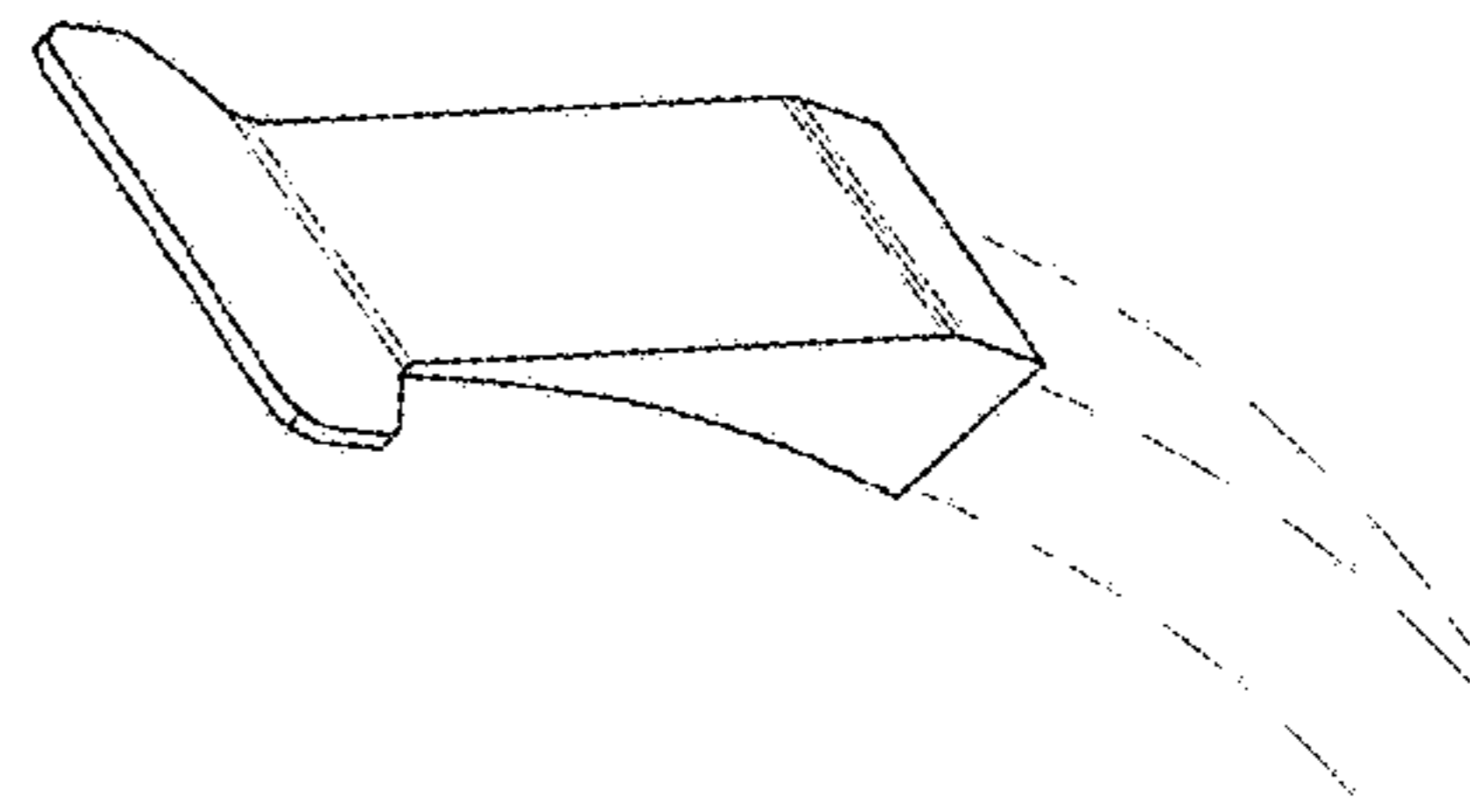
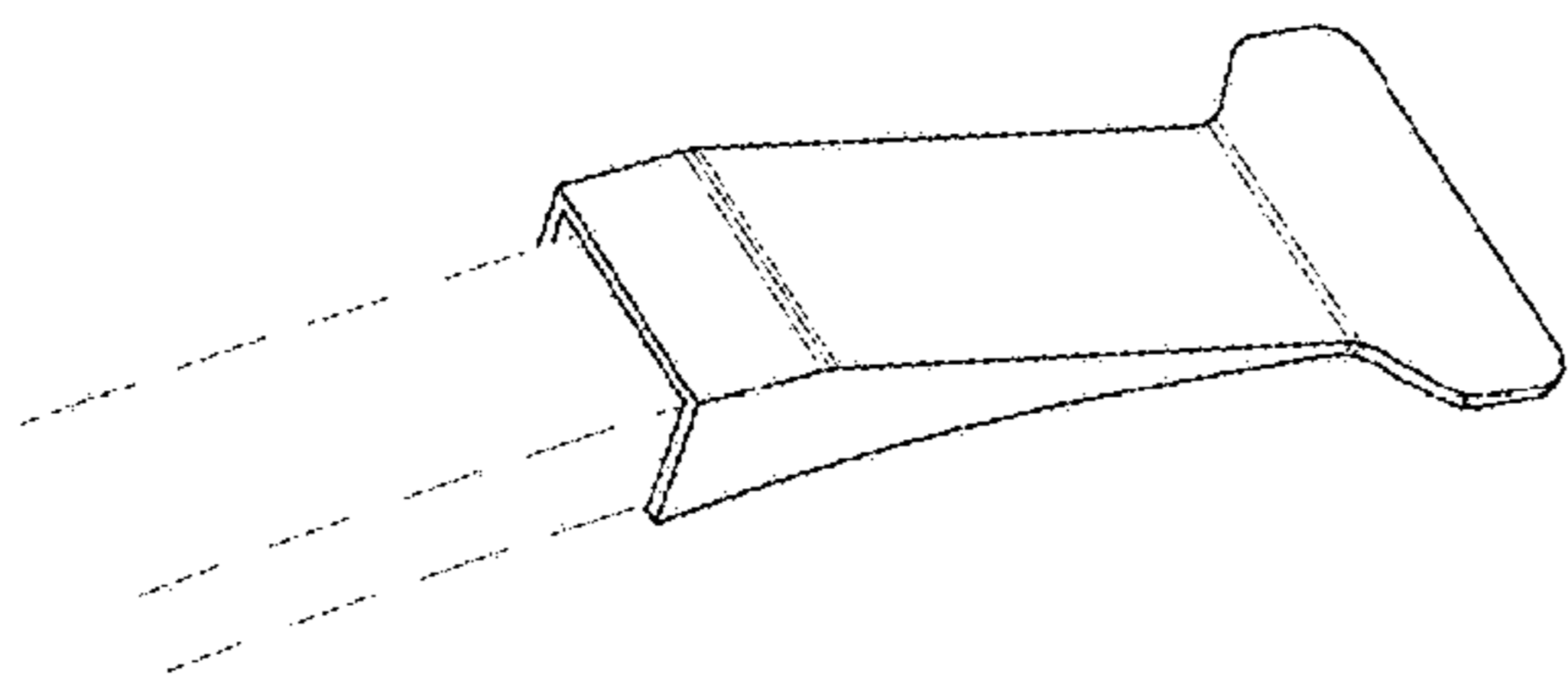


Figure 1

Figure 2



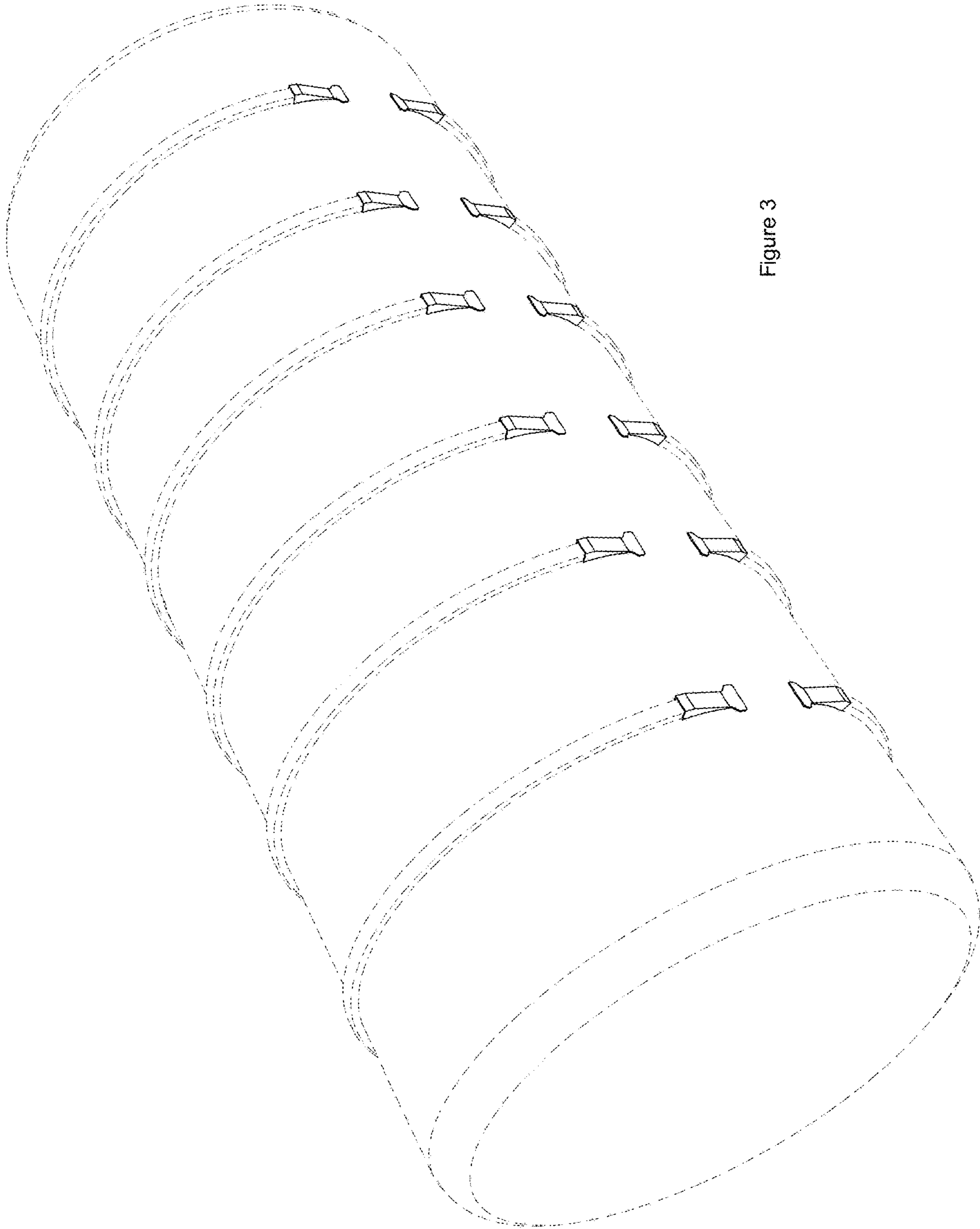


Figure 3

Figure 4

