



US00D784487S

(12) **United States Design Patent**
Harnage

(10) **Patent No.:** **US D784,487 S**

(45) **Date of Patent:** **** Apr. 18, 2017**

- (54) **FISHING LINE SPOOL HOLDER**
- (71) Applicant: **Earl Dean Harnage**, Hastings, FL (US)
- (72) Inventor: **Earl Dean Harnage**, Hastings, FL (US)
- (**) Term: **15 Years**
- (21) Appl. No.: **29/569,174**
- (22) Filed: **Jun. 24, 2016**
- (51) **LOC (10) Cl.** **22-05**
- (52) **U.S. Cl.**
USPC **D22/134**
- (58) **Field of Classification Search**
USPC D22/134, 199; 206/389, 397; 211/85.5,
211/85.18; 242/129, 570, 578.2
CPC A47K 10/38; A47K 10/40; B65H 75/20;
B65H 75/364; B65H 85/66; B65H 49/32;
B65H 49/305; A01K 89/08; A01K 97/00
See application file for complete search history.

(56) **References Cited**

U.S. PATENT DOCUMENTS

- D373,301 S * 9/1996 Burch D8/359
- D755,919 S * 5/2016 Harnage D22/134

* cited by examiner

Primary Examiner — Karen S Acker
Assistant Examiner — S. Bryan Reinholdt, Jr.
 (74) *Attorney, Agent, or Firm* — Thomas C. Saitta

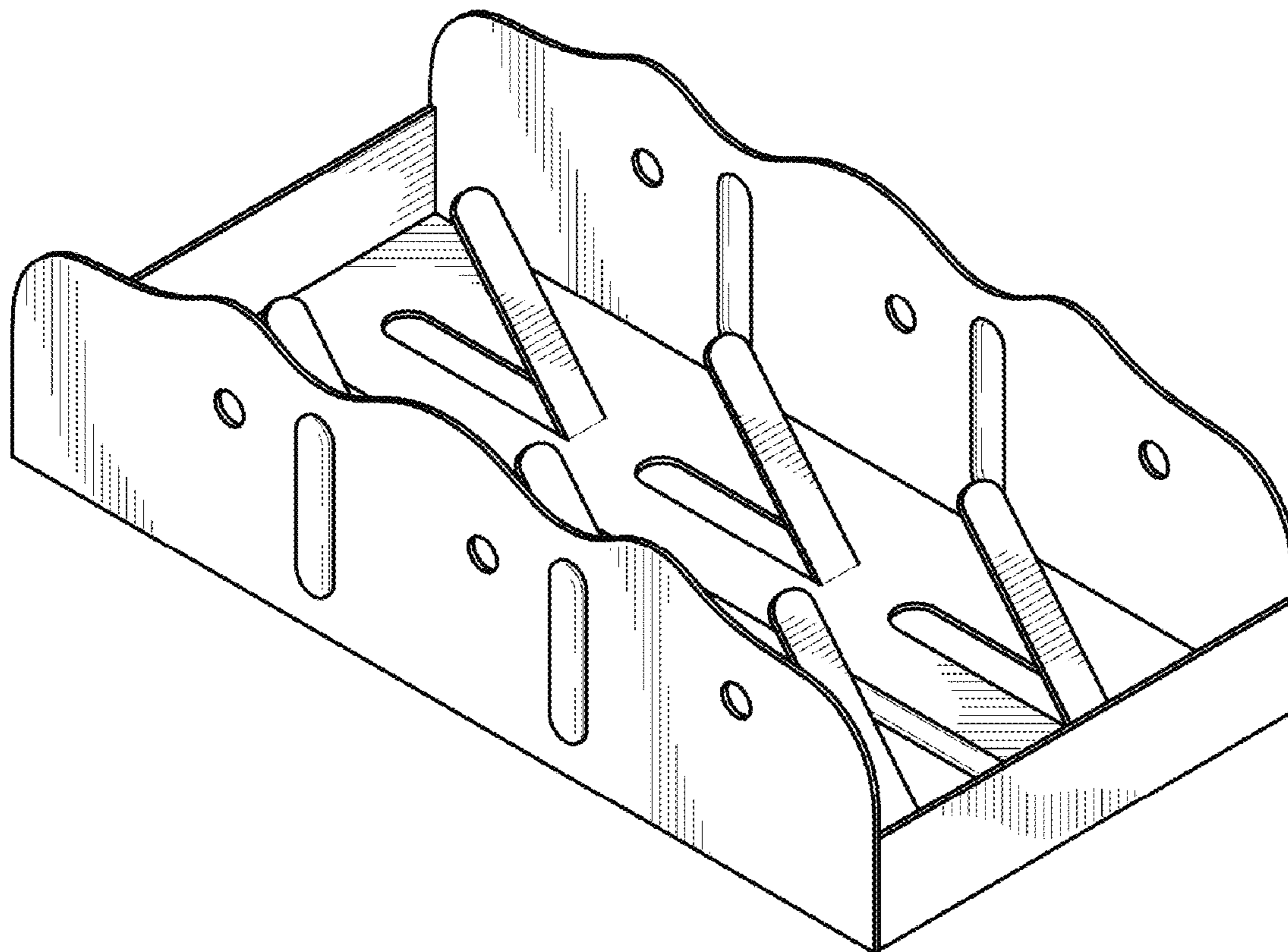
(57) **CLAIM**

The ornamental design for a fishing line spool holder, as shown and described.

DESCRIPTION

FIG. 1 is a perspective view of a fishing line spool holder showing my new design;
 FIG. 2 is a left side view thereof;
 FIG. 3 is a right side view thereof;
 FIG. 4 is a rear view thereof;
 FIG. 5 is a front view thereof;
 FIG. 6 is a top view thereof; and,
 FIG. 7 is a bottom view thereof.

1 Claim, 3 Drawing Sheets



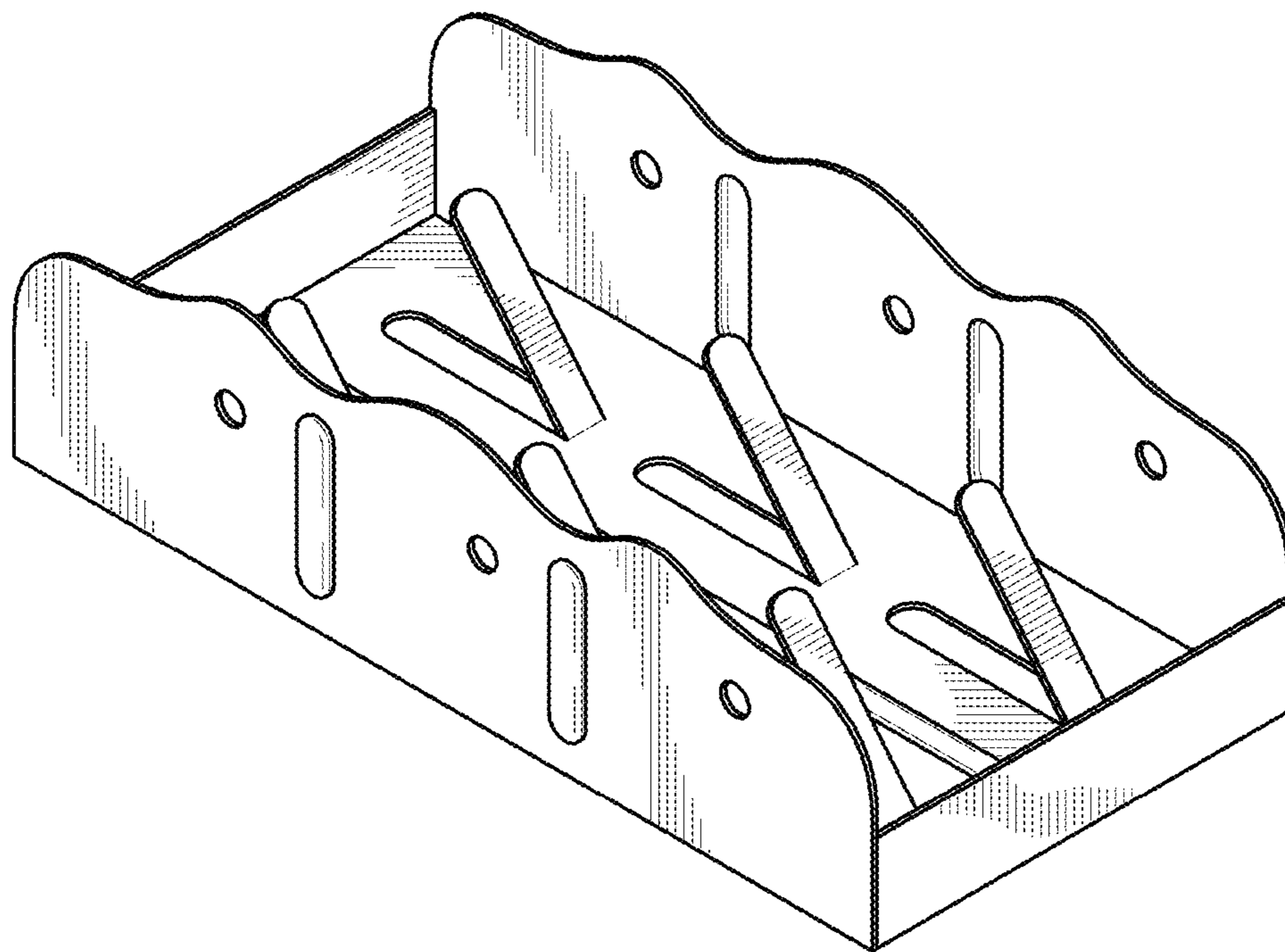


Fig. 1

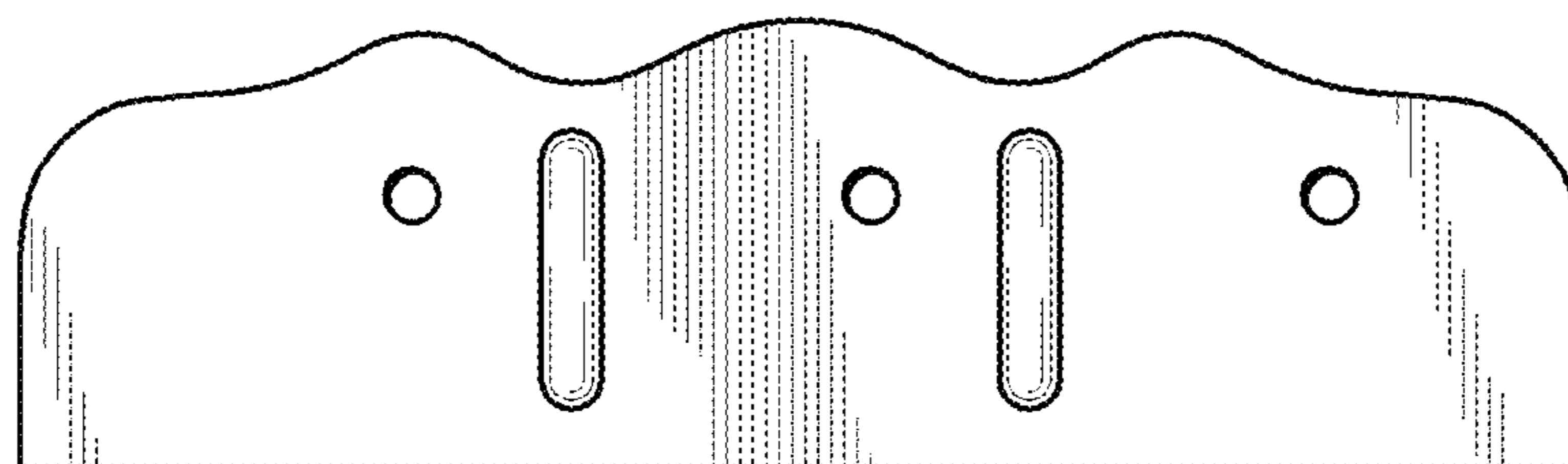


Fig. 2

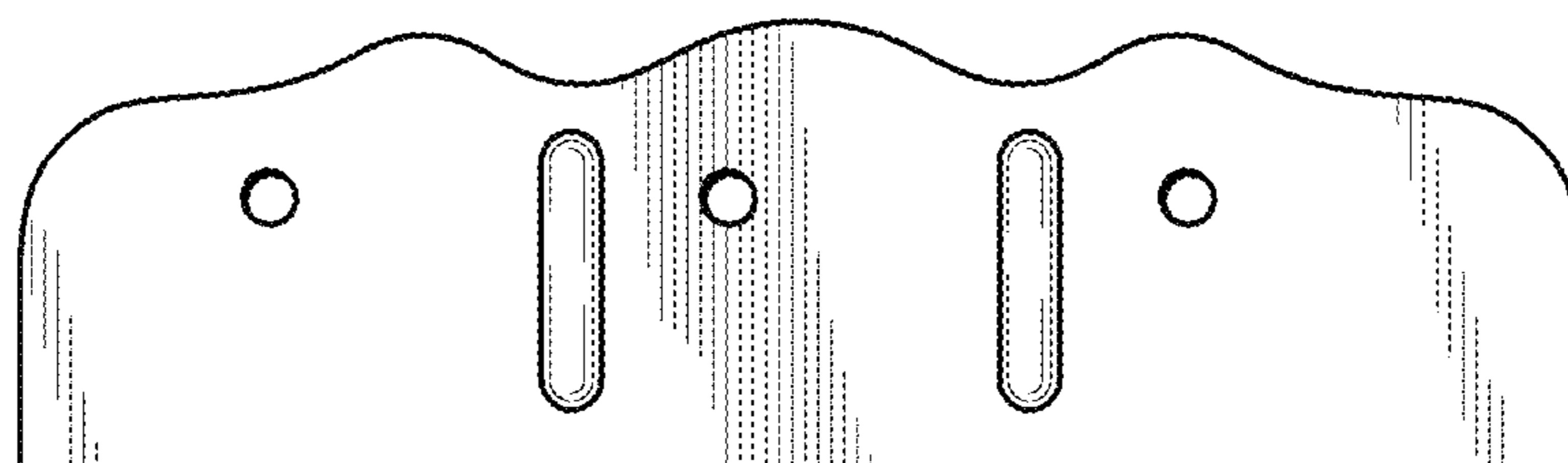


Fig. 3

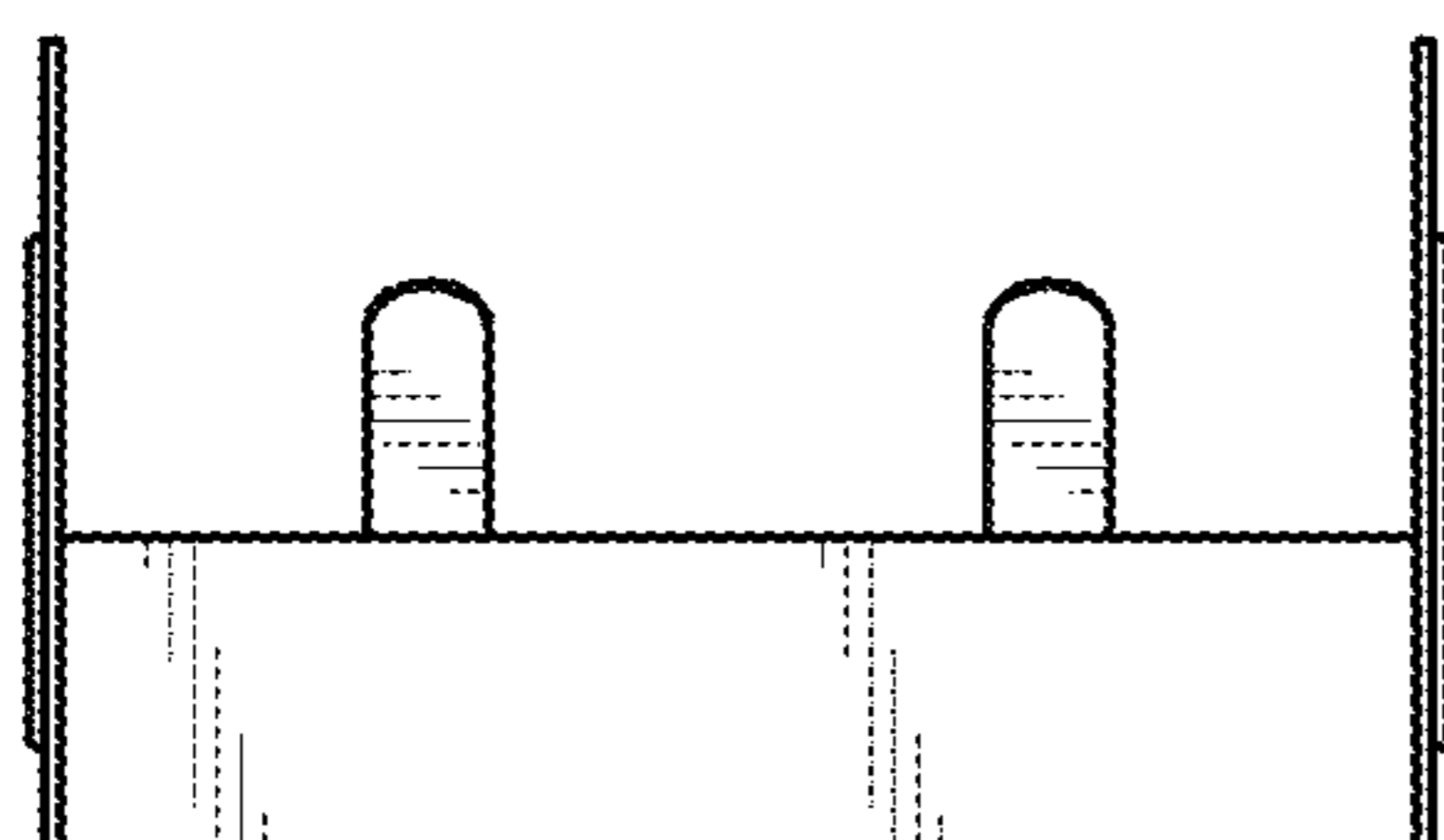


Fig. 4

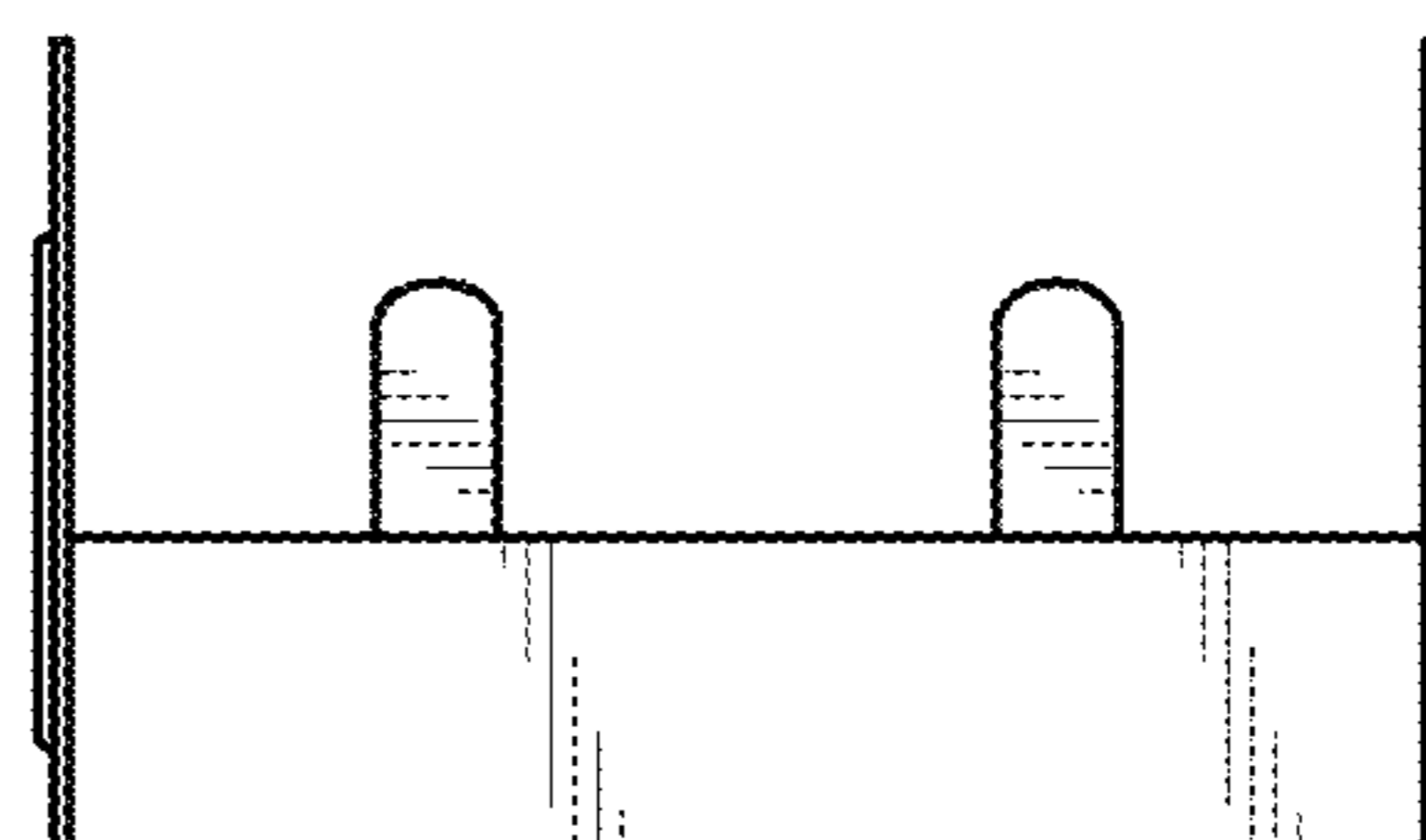


Fig. 5

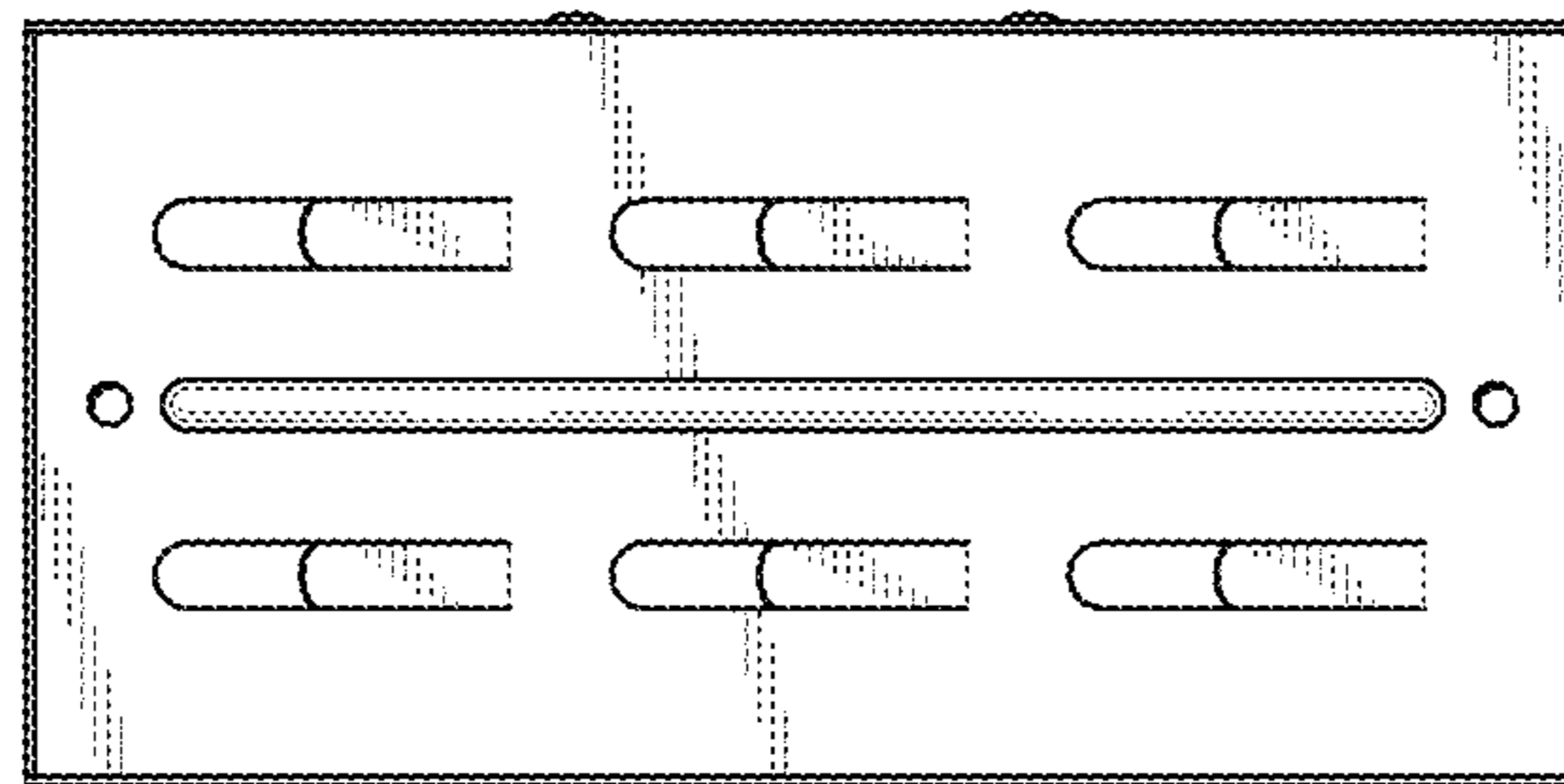


Fig. 6

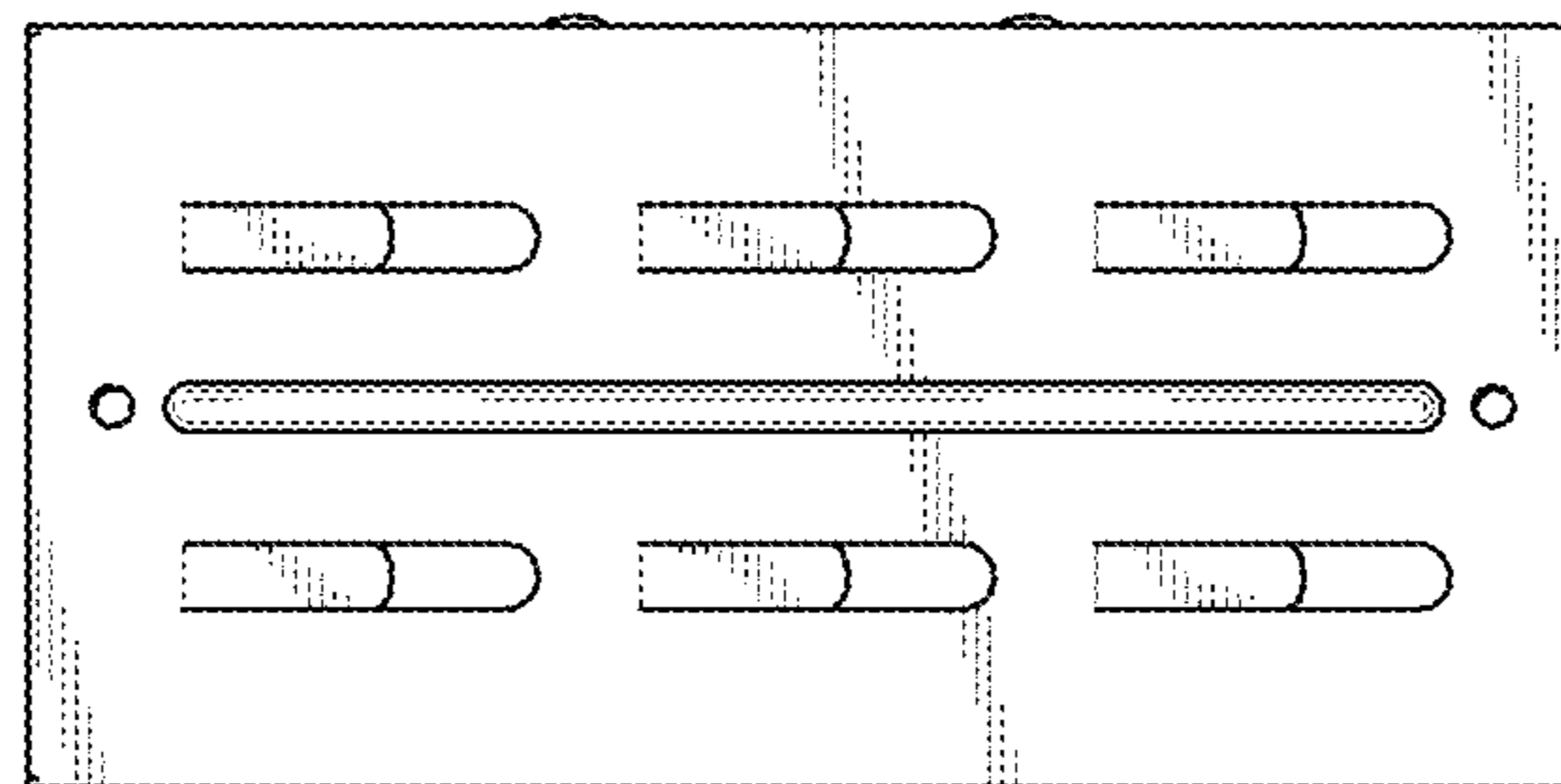


Fig. 7