

US00D784483S

(12) **United States Design Patent**  
**Ding et al.**

(10) **Patent No.:** **US D784,483 S**

(45) **Date of Patent:** **\*\* \*Apr. 18, 2017**

(54) **SLIM RISER MOUNT**

(71) Applicant: **Leapers, Inc.**, Livonia, MI (US)

(72) Inventors: **Tai-Lai Ding**, Northville, MI (US); **Tat Shing Yu**, Plymouth, MI (US)

(73) Assignee: **Leapers, Inc.**, Livonia, MI (US)

(\*) Notice: This patent is subject to a terminal disclaimer.

(\*\*) Term: **15 Years**

(21) Appl. No.: **29/546,782**

(22) Filed: **Nov. 25, 2015**

(51) **LOC (10) Cl.** ..... **22-01**

(52) **U.S. Cl.**

USPC ..... **D22/110; D8/377**

(58) **Field of Classification Search**

USPC ..... D22/108–111, 199; D16/214, 239, 242, D16/244, 245; 42/85, 111, 112, 115, 42/124, 125, 126, 127, 128, 136

CPC ..... F41G 1/16; F41G 1/22; F41G 1/24; F41G 1/26; F41G 1/28; F41G 1/545; F41G 11/00; F41G 11/003; F41G 11/004; F41G 11/007; F41C 27/00

See application file for complete search history.

(56) **References Cited**

**U.S. PATENT DOCUMENTS**

D418,394 S \* 1/2000 King ..... D25/124  
D548,811 S \* 8/2007 Swan ..... D22/109

(Continued)

**OTHER PUBLICATIONS**

1" High 3-Slot Hi-Profile Compact Riser Mount, posted at Leapers, posting date Dec. 11, 2011. [online], [site visited Oct. 24, 2016]. Available from Internet, <URL: <https://web.archive.org/web/>

20111207165410/http://leapers.com/prod\_detail.php?mitem=Mounting%20Systems&itemno=MNT-RS10S3>.\*

(Continued)

*Primary Examiner* — Kevin Rudzinski

*Assistant Examiner* — Kathleen Jones

(74) *Attorney, Agent, or Firm* — Honigman Miller Schwartz and Cohn LLP

(57) **CLAIM**

The ornamental design for a slim riser mount, as shown and described.

**DESCRIPTION**

FIG. 1 is a front/right side isometric view of a first embodiment of the slim riser mount of the present invention; FIG. 2 is a front elevational view of the embodiment of FIG. 1;

FIG. 3 is a rear elevation view of the embodiment of FIG. 1;

FIG. 4 is a right side elevational view of the embodiment of FIG. 1;

FIG. 5 is a left side elevational view of the embodiment of FIG. 1;

FIG. 6 is a top view of the embodiment of FIG. 1;

FIG. 7 is a bottom view of the embodiment of FIG. 1;

FIG. 8 is a front/right side isometric view of a second embodiment of the slim riser mount of the present invention; FIG. 9 is a front elevational view of the embodiment of FIG. 8;

FIG. 10 is a rear elevational view of the embodiment of FIG. 8;

FIG. 11 is a right side elevational view of the embodiment of FIG. 8;

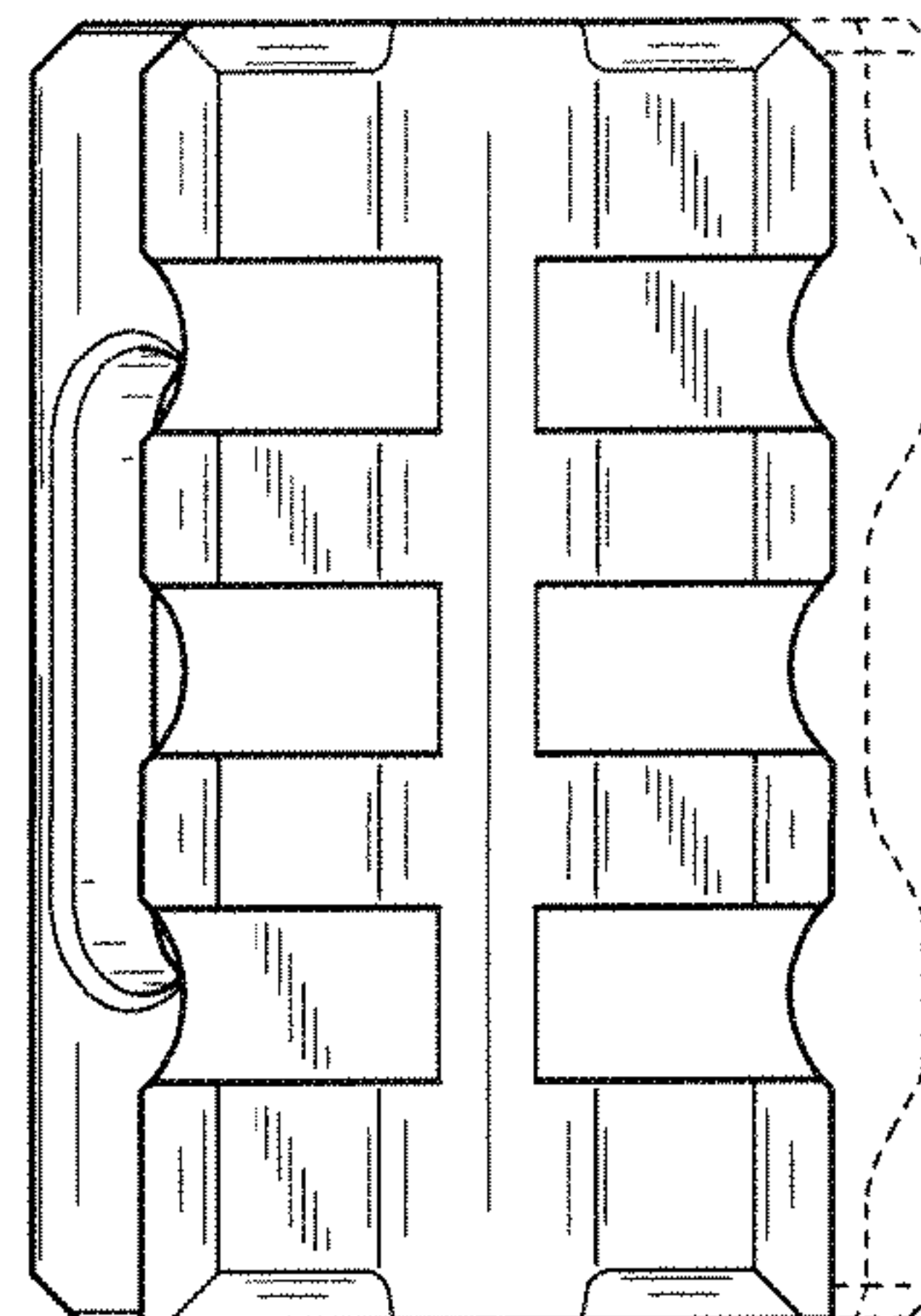
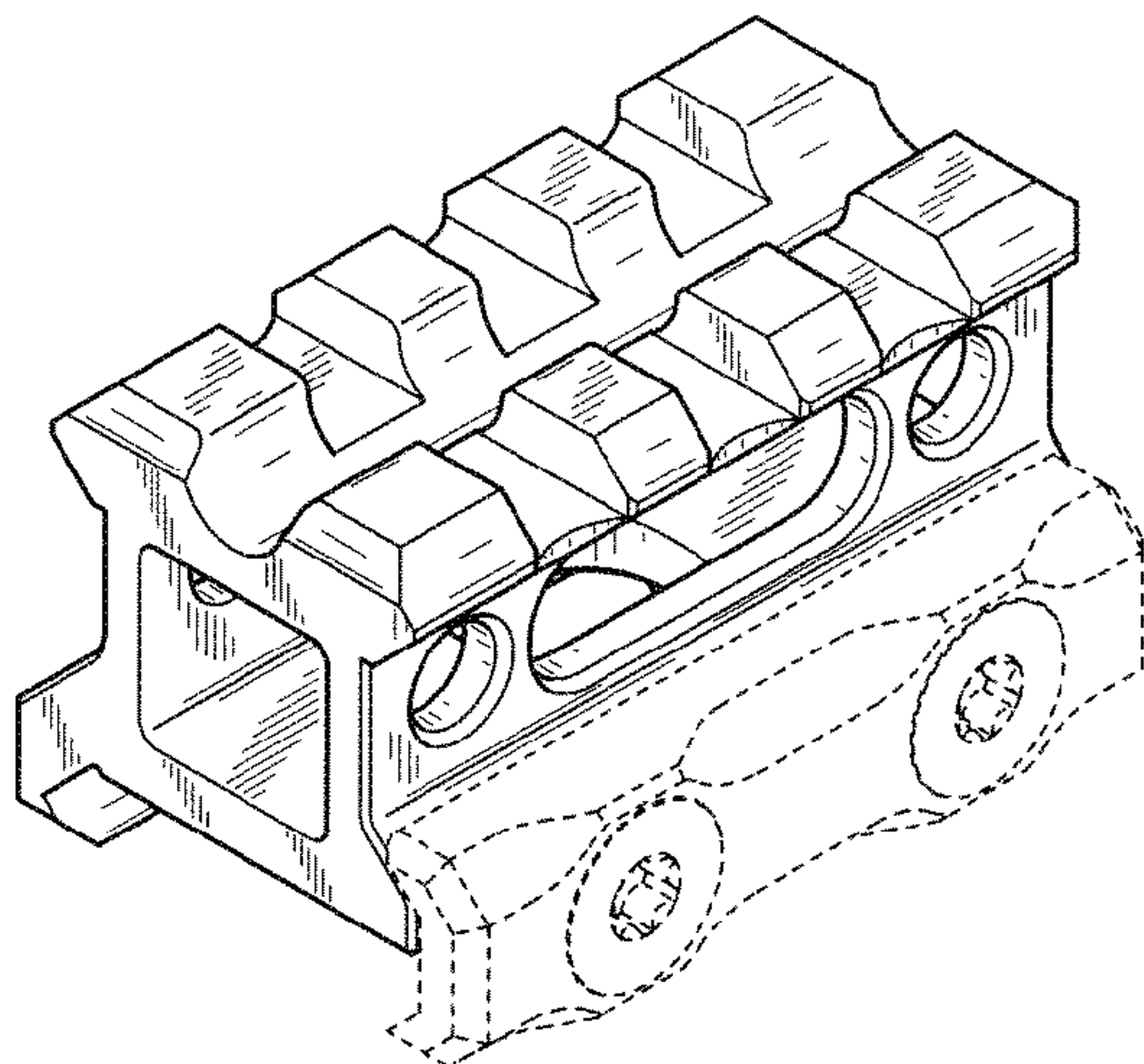
FIG. 12 is a left side elevational view of the embodiment of FIG. 8;

FIG. 13 is a top view of the embodiment of FIG. 8; and,

FIG. 14 is a bottom view of the embodiment of FIG. 8.

The broken lines shown in the figures are included for the purpose of illustrating portions of the article and form no part of the claimed design.

**1 Claim, 8 Drawing Sheets**



(56)

References Cited

U.S. PATENT DOCUMENTS

D586,875 S \* 2/2009 Swan ..... D22/109  
 D616,521 S \* 5/2010 Starnes ..... D22/108  
 D674,859 S \* 1/2013 Robbins ..... D22/108  
 8,505,231 B2 \* 8/2013 Chung ..... F41G 1/35  
 42/113  
 8,528,246 B2 \* 9/2013 Telles ..... F41C 23/16  
 42/71.01  
 D709,582 S \* 7/2014 Geissele ..... D22/108  
 D713,483 S \* 9/2014 Firpo ..... D22/108  
 D720,034 S \* 12/2014 Cheng ..... D22/109  
 D732,628 S \* 6/2015 Cheng ..... D22/108  
 D736,886 S \* 8/2015 Cheng ..... D22/108  
 D739,489 S \* 9/2015 Degoma ..... D22/103  
 D739,491 S \* 9/2015 Norberg ..... D22/108  
 D741,442 S \* 10/2015 Wilson ..... D22/108  
 D746,399 S \* 12/2015 Folkestad, II ..... D22/108  
 D747,426 S \* 1/2016 Cheng ..... D22/108  
 D747,428 S \* 1/2016 Chen ..... D22/108  
 D752,171 S \* 3/2016 Chen ..... D22/108  
 D754,274 S \* 4/2016 Geissele ..... D22/108  
 D757,876 S \* 5/2016 Boswell, Jr. .... D22/108  
 D761,929 S \* 7/2016 Hormann ..... D22/108  
 9,453,703 B2 \* 9/2016 Michal ..... F41C 23/16  
 D768,801 S \* 10/2016 Morris ..... D22/108  
 9,476,672 B2 \* 10/2016 Wells ..... F41C 23/16

D771,216 S \* 11/2016 Dubois ..... D22/108  
 2010/0037505 A1 \* 2/2010 Romer ..... F41G 11/003  
 42/124  
 2010/0319231 A1 \* 12/2010 Stone ..... F41C 23/16  
 42/71.01  
 2011/0010979 A1 \* 1/2011 Houde-Walter ..... F41C 23/22  
 42/84  
 2011/0197491 A1 \* 8/2011 McCann ..... F41G 1/033  
 42/132  
 2014/0026459 A1 \* 1/2014 Yan ..... F41C 23/16  
 42/71.01  
 2014/0130390 A1 \* 5/2014 Geissele ..... F41C 23/16  
 42/71.01  
 2016/0245621 A1 \* 8/2016 Kintzing ..... F41G 11/003  
 2016/0377383 A1 \* 12/2016 Downing ..... F41G 11/003  
 42/111  
 2017/0023333 A1 \* 1/2017 Faifer ..... F41A 3/66

OTHER PUBLICATIONS

AR Flat Top 1" 1 inch Mini Riser Block Mount Picatinny Rail w/  
 QD Cam Lever Lock, posted at Hammers, posting date Jan. 9, 2015.  
 [online], [site visited Oct. 24, 2016]. Available from Internet,  
 <URL: <https://web.archive.org/web/20150109090103/http://hammersbinoculars.stores.yahoo.net/arfltop11inm.html>>.\*

\* cited by examiner

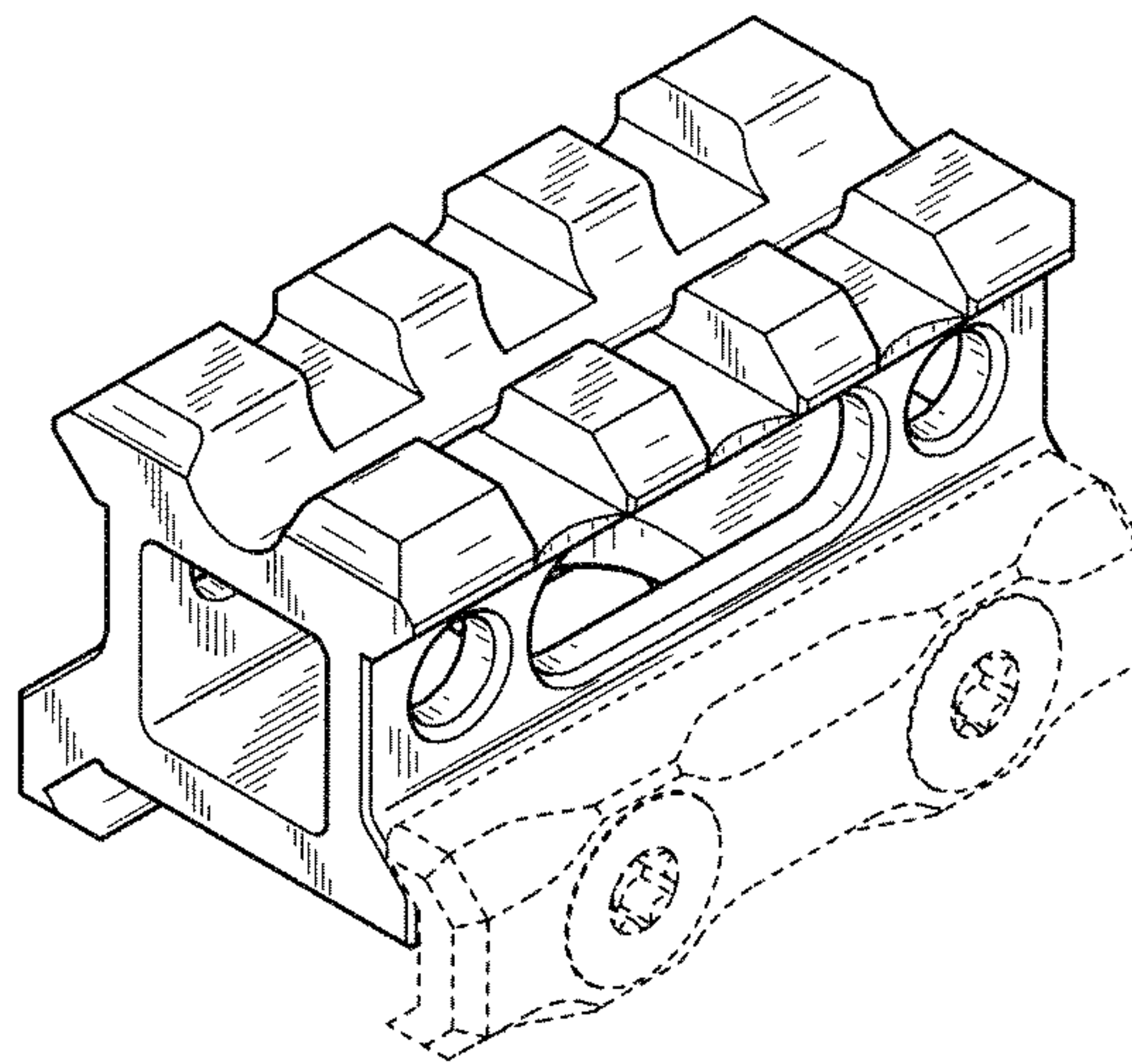


FIG. 1

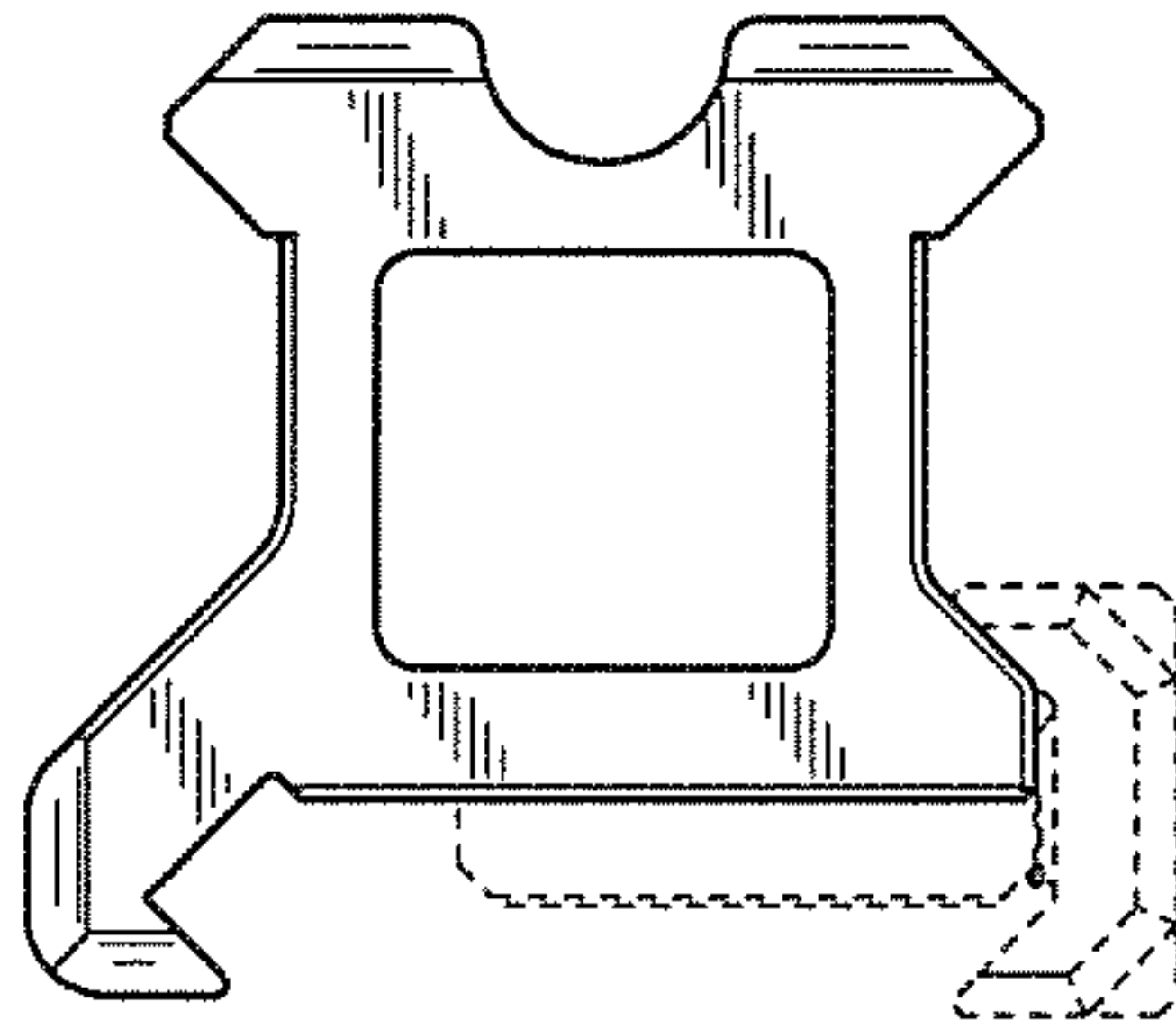


FIG. 2

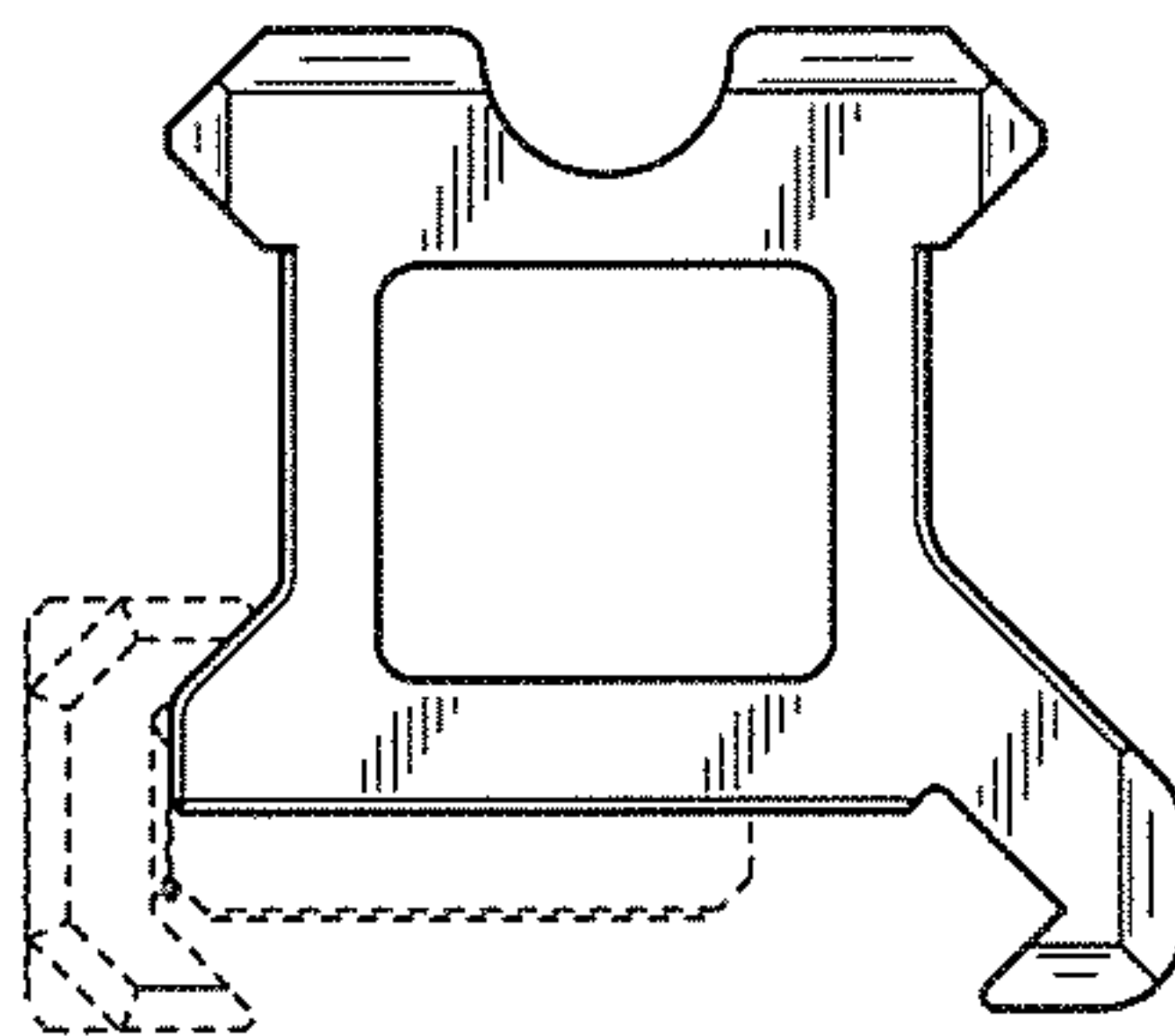


FIG. 3



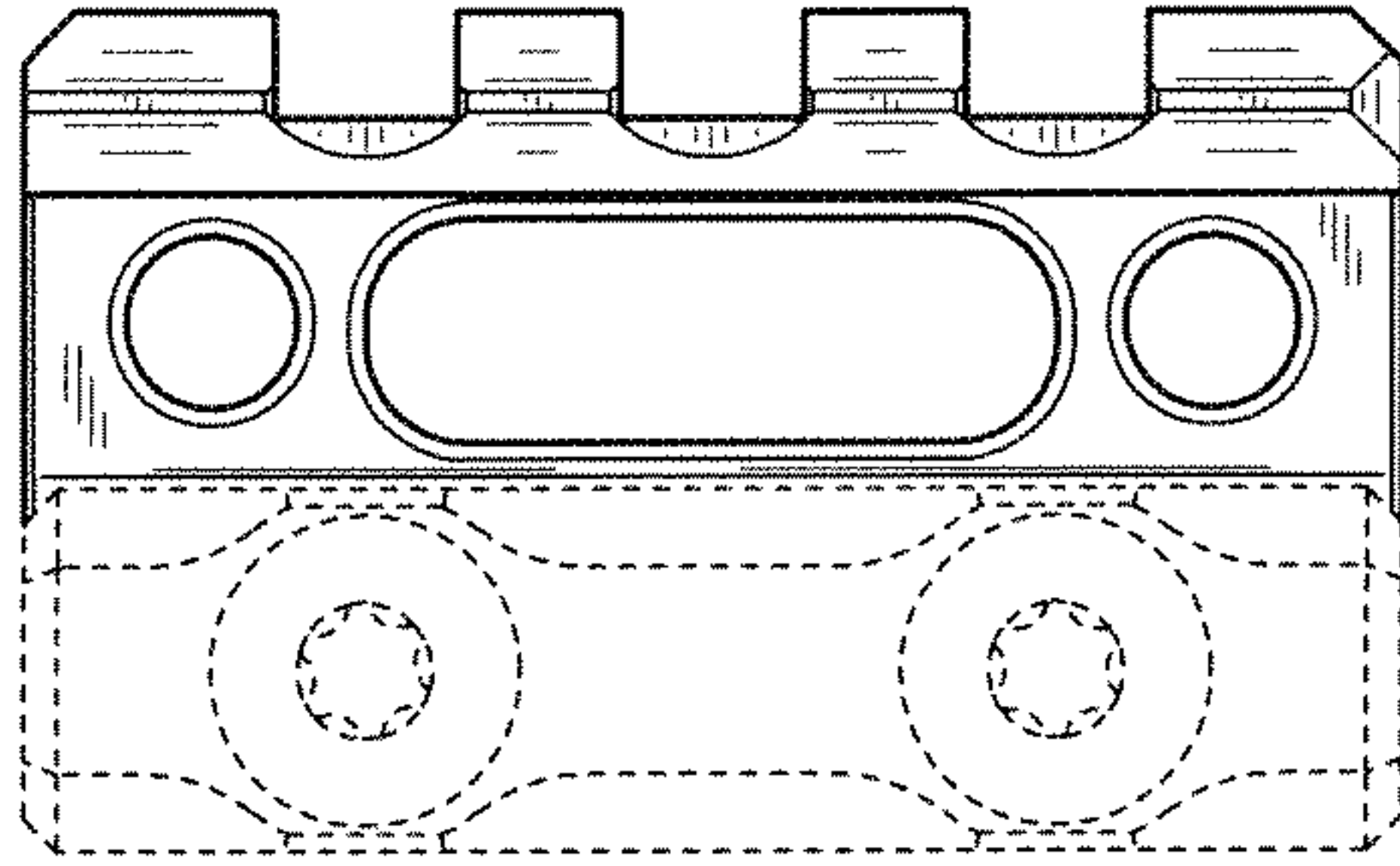


FIG. 4

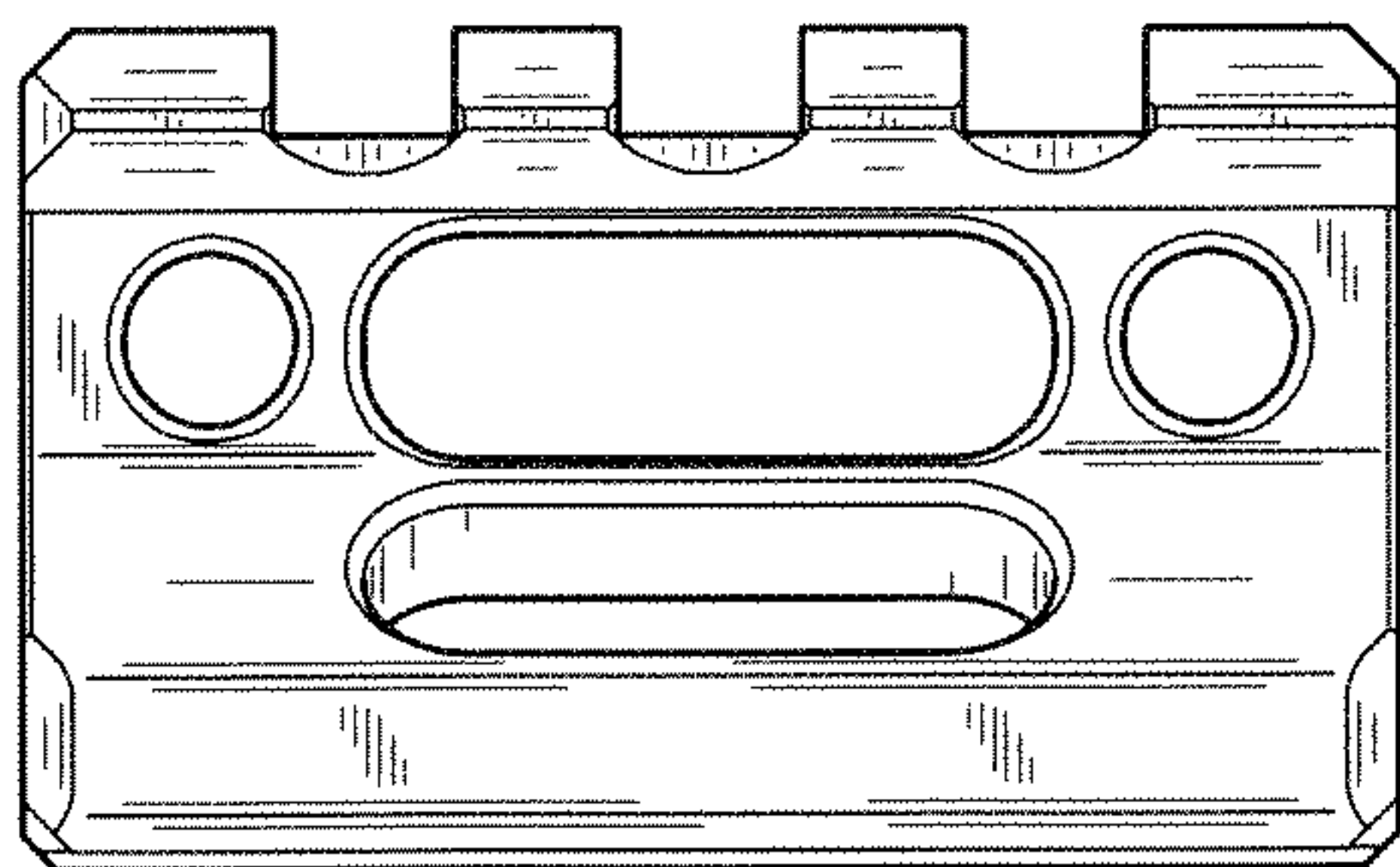


FIG. 5

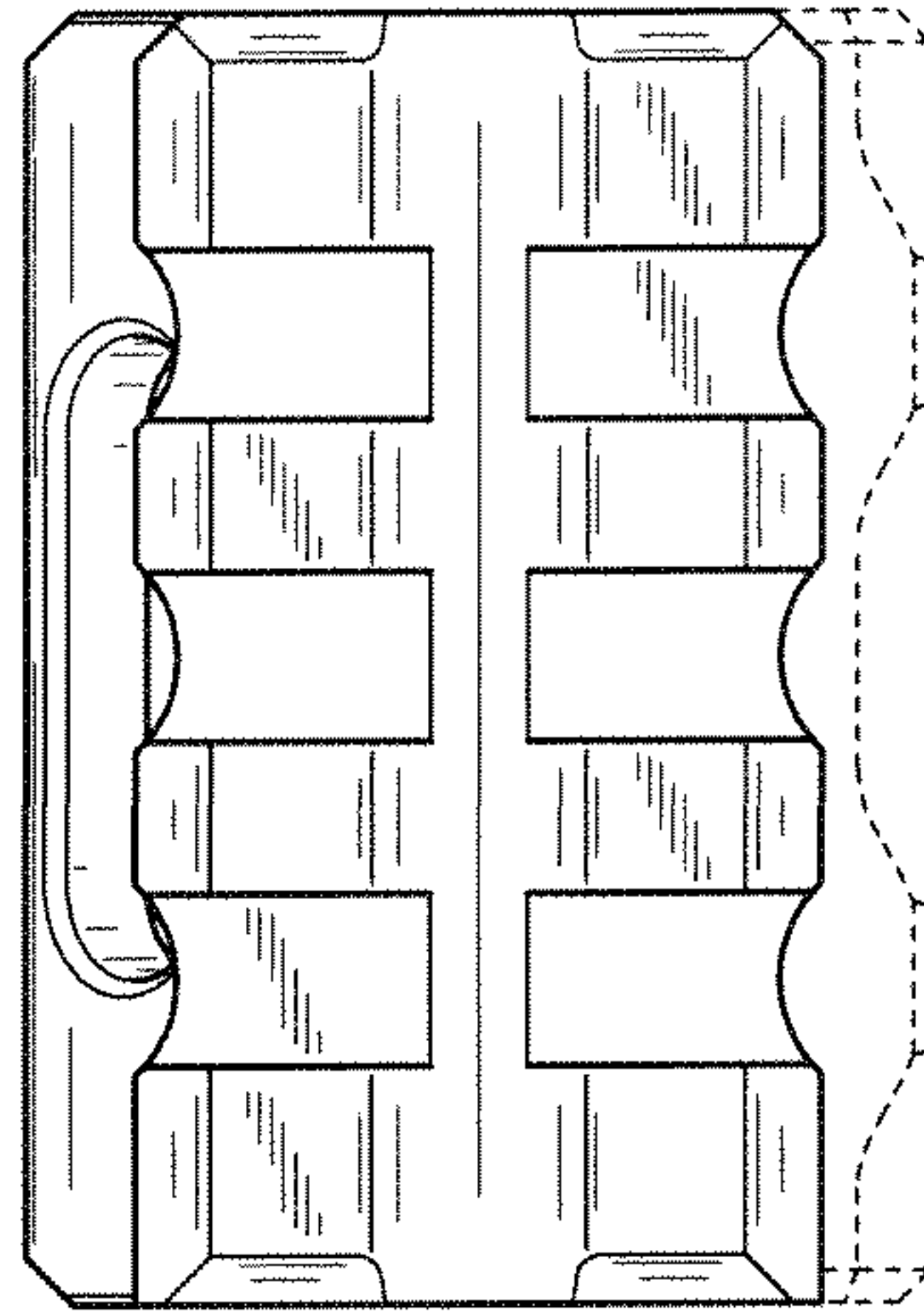


FIG. 6

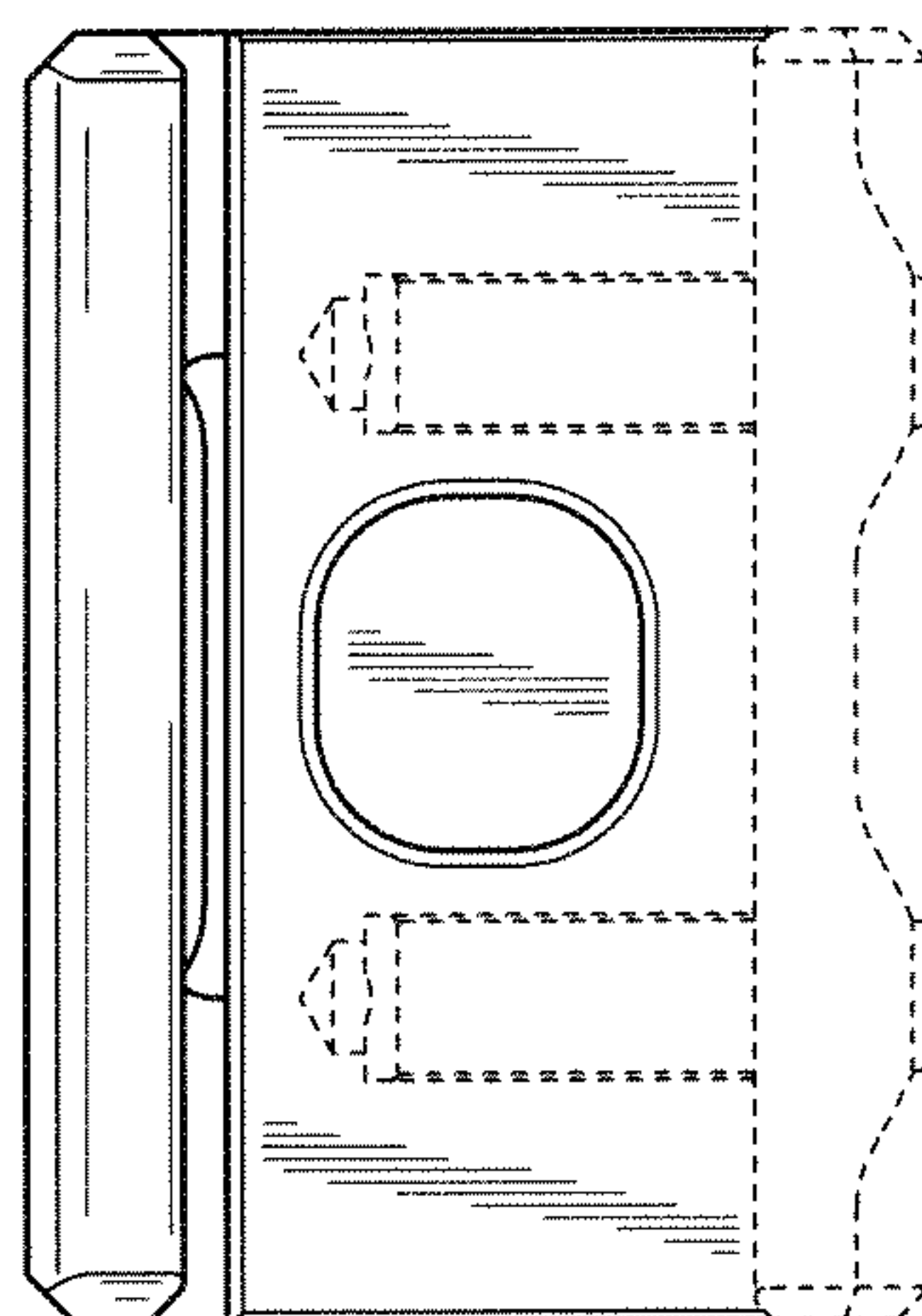


FIG. 7

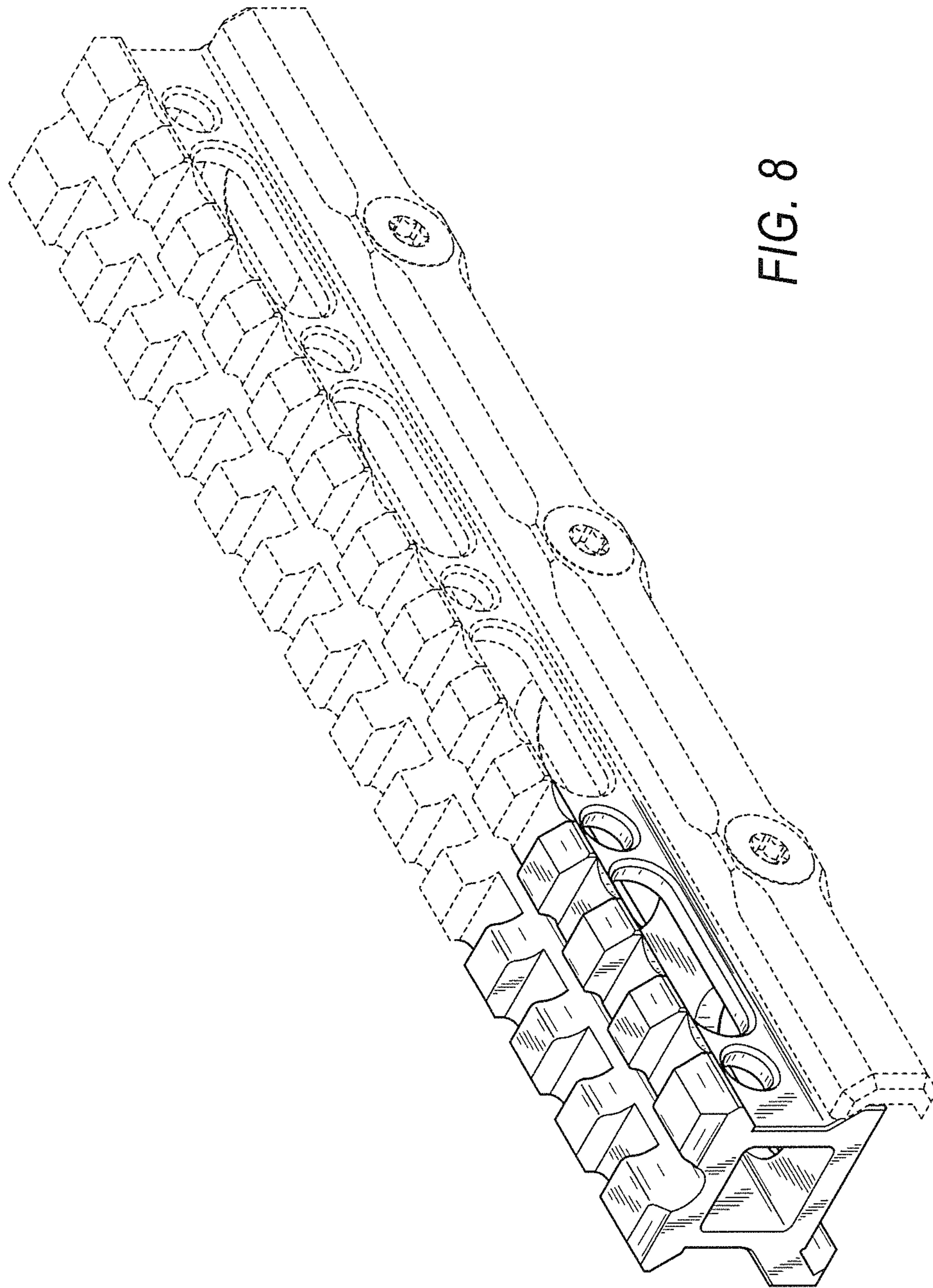


FIG. 8

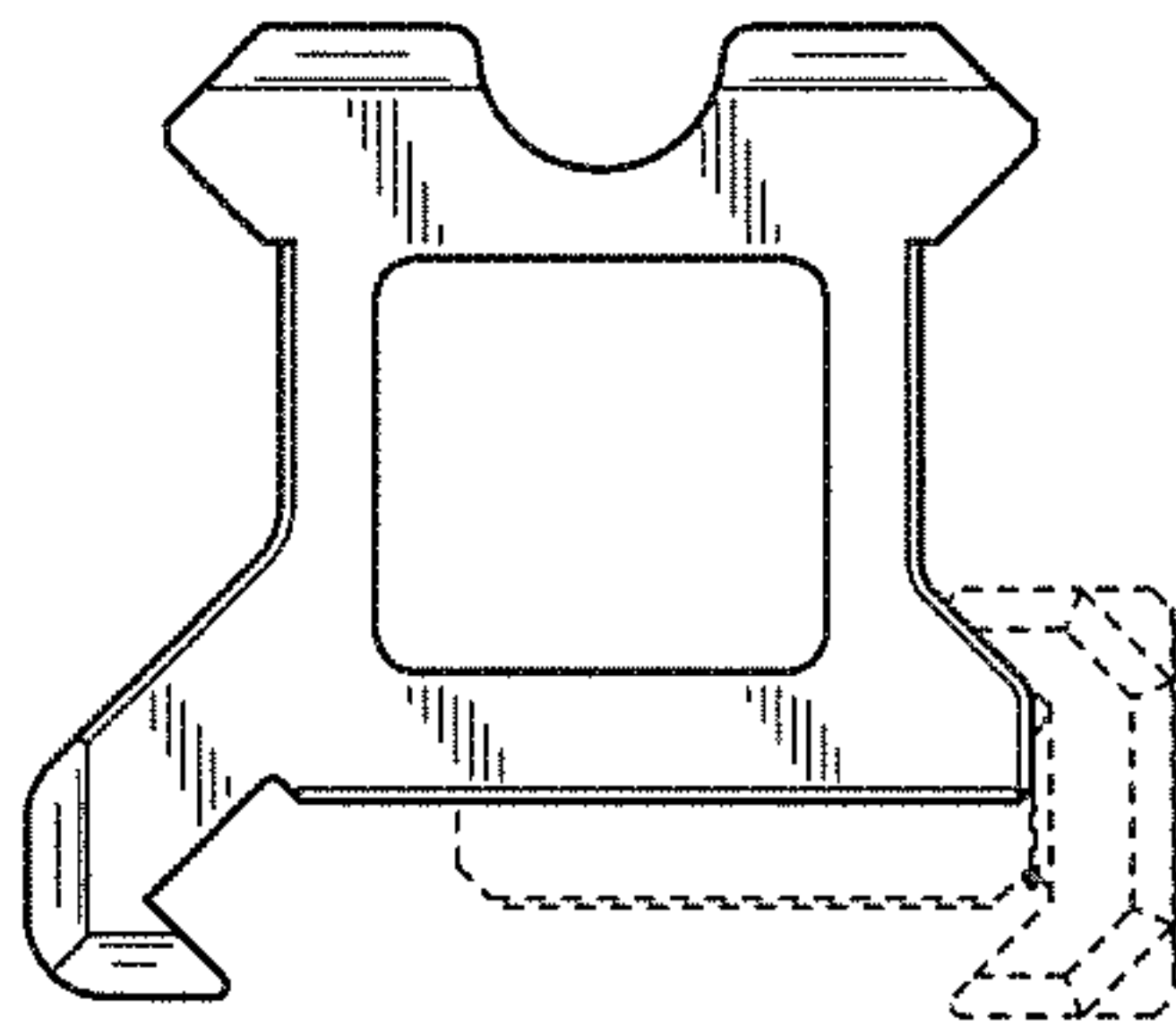


FIG. 9

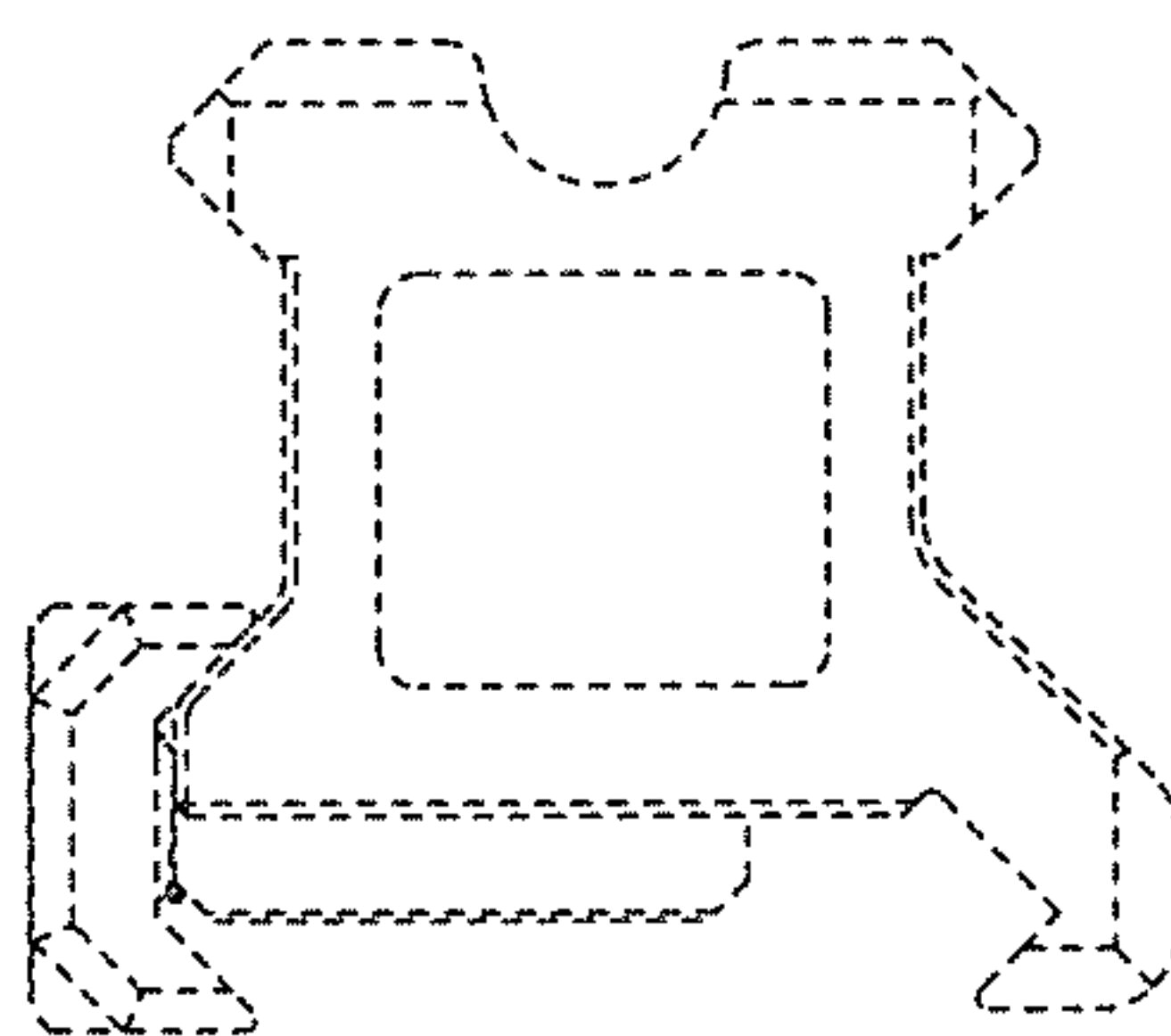


FIG. 10



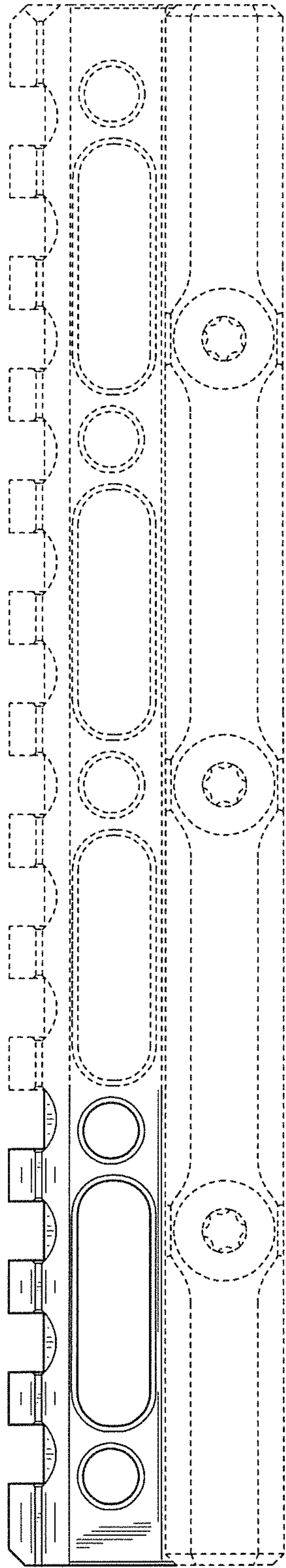


FIG. 11

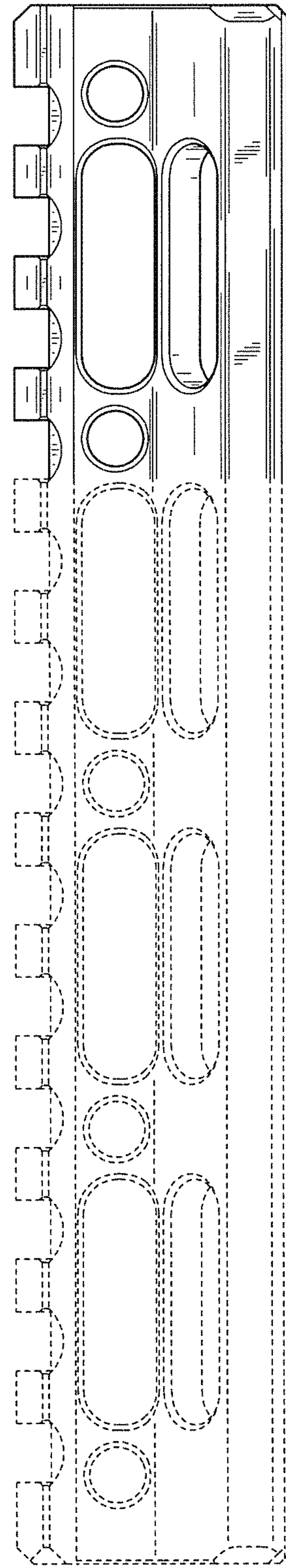


FIG. 12

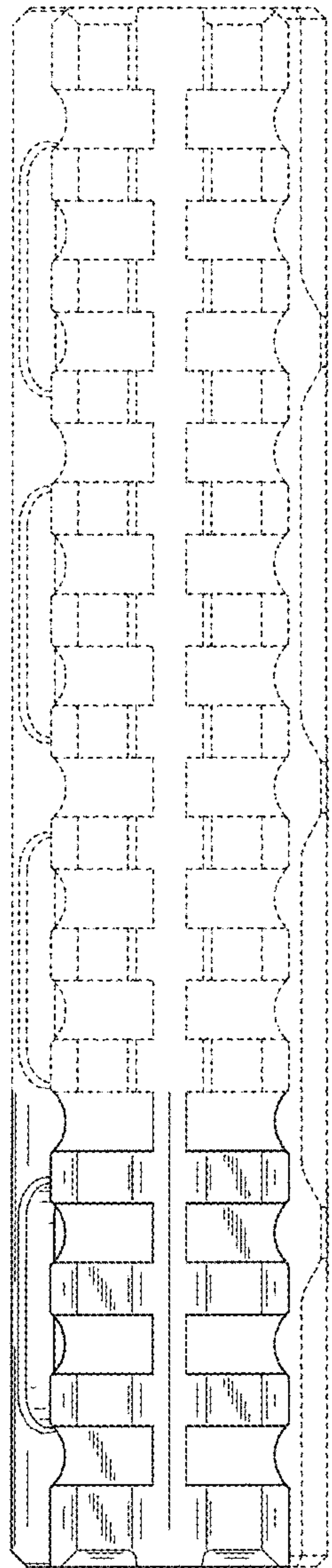


FIG. 13

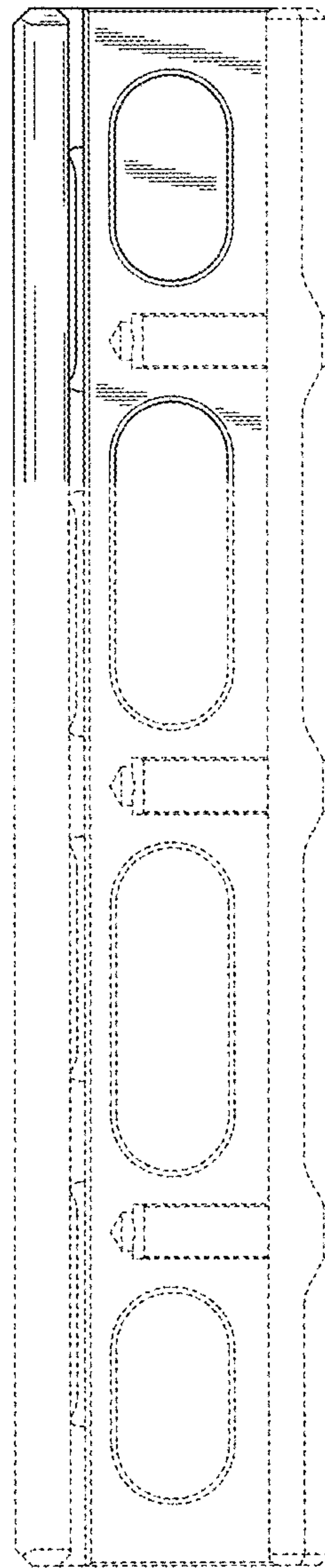


FIG. 14