



US00D784482S

(12) **United States Design Patent**
Ding et al.

(10) **Patent No.:** **US D784,482 S**

(45) **Date of Patent:** **** Apr. 18, 2017**

(54) **SLIM RISER MOUNT**

(71) Applicant: **Leapers, Inc.**, Livonia, MI (US)

(72) Inventors: **Tai-Lai Ding**, Northville, MI (US); **Tat Shing Yu**, Plymouth, MI (US)

(73) Assignee: **Leapers, Inc.**, Livonia, MI (US)

(**) Term: **15 Years**

(21) Appl. No.: **29/546,780**

(22) Filed: **Nov. 25, 2015**

(51) **LOC (10) Cl.** **22-01**

(52) **U.S. Cl.**

USPC **D22/110**; D8/377

(58) **Field of Classification Search**

USPC D22/108–111, 199; D16/214, 239, 242,
D16/244, 245; 42/85, 111, 112, 115, 124,
42/125, 126, 127, 128, 136

(Continued)

(56) **References Cited**

U.S. PATENT DOCUMENTS

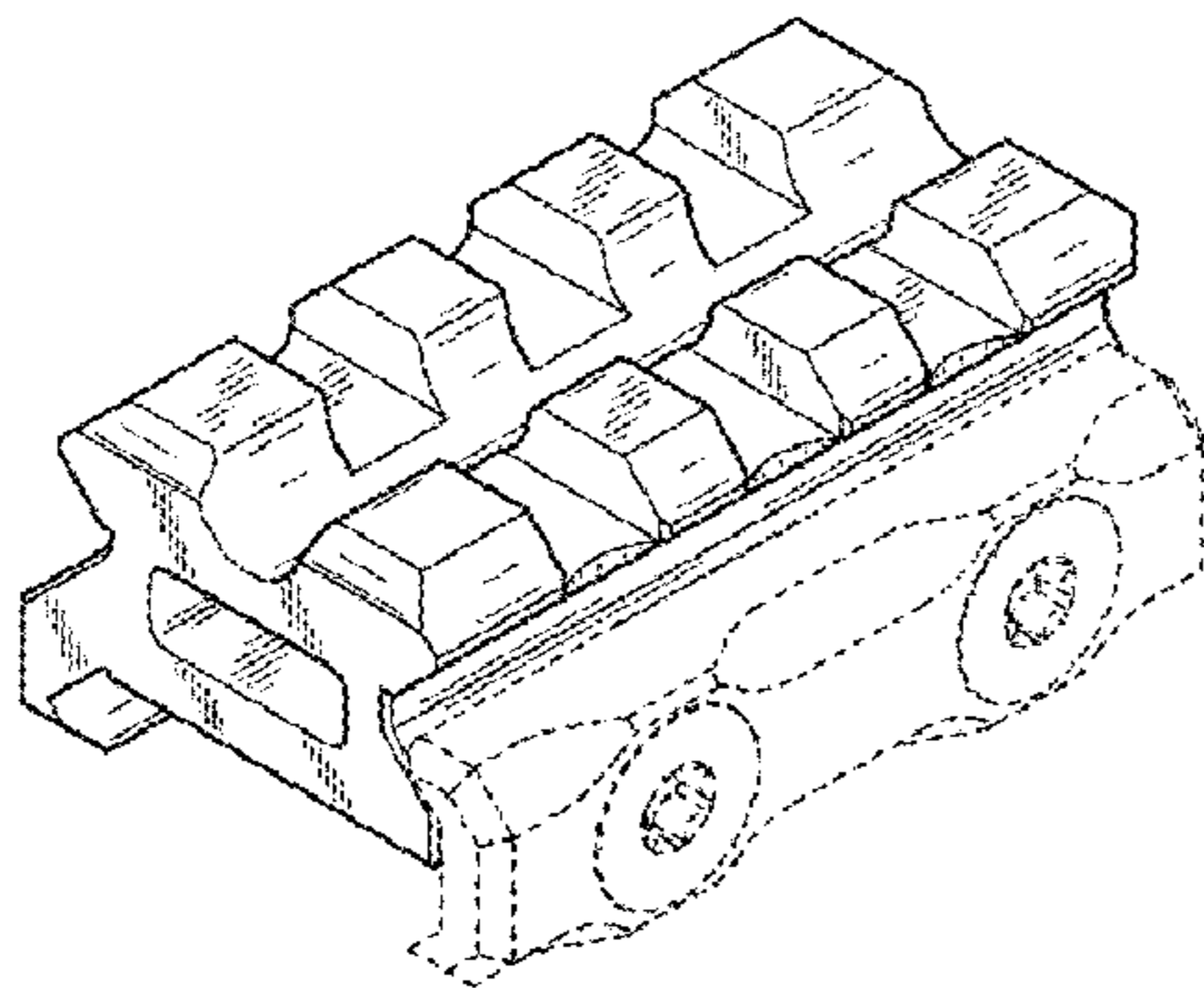
5,533,292 A * 7/1996 Swan F41G 1/16
42/123
6,499,245 B1 * 12/2002 Swan F41C 23/00
42/124

(Continued)

OTHER PUBLICATIONS

0.5" High 3-Slot Low-Profile Compact Riser Mount, posted at Leapers, posting date Dec. 7, 2011. [online], [site visited Oct. 25, 2016]. Available from Internet, <URL: https://web.archive.org/web/20111207172551/http://leapers.com/prod_detail.php?mitem=Mounting%20Systems&itemno=MNT-RS05S3>.*

(Continued)



Primary Examiner — Kevin Rudzinski

Assistant Examiner — Kathleen Jones

(74) *Attorney, Agent, or Firm* — Honigman Miller Schwartz and Cohn LLP

(57) **CLAIM**

The ornamental design for a slim riser mount, as shown and described.

DESCRIPTION

FIG. 1 is a front/right side isometric view of a first embodiment of the slim riser mount of the present invention;

FIG. 2 is a front elevational view of the embodiment of FIG. 1;

FIG. 3 is a rear elevation view of the embodiment of FIG. 1;

FIG. 4 is a right side elevational view of the embodiment of FIG. 1;

FIG. 5 is a left side elevational view of the embodiment of FIG. 1;

FIG. 6 is a top view of the embodiment of FIG. 1;

FIG. 7 is a bottom view of the embodiment of FIG. 1;

FIG. 8 is a front/right side isometric view of a second embodiment of the slim riser mount of the present invention;

FIG. 9 is a front elevational view of the embodiment of FIG. 8;

FIG. 10 is a rear elevational view of the embodiment of FIG. 8;

FIG. 11 is a right side elevational view of the embodiment of FIG. 8;

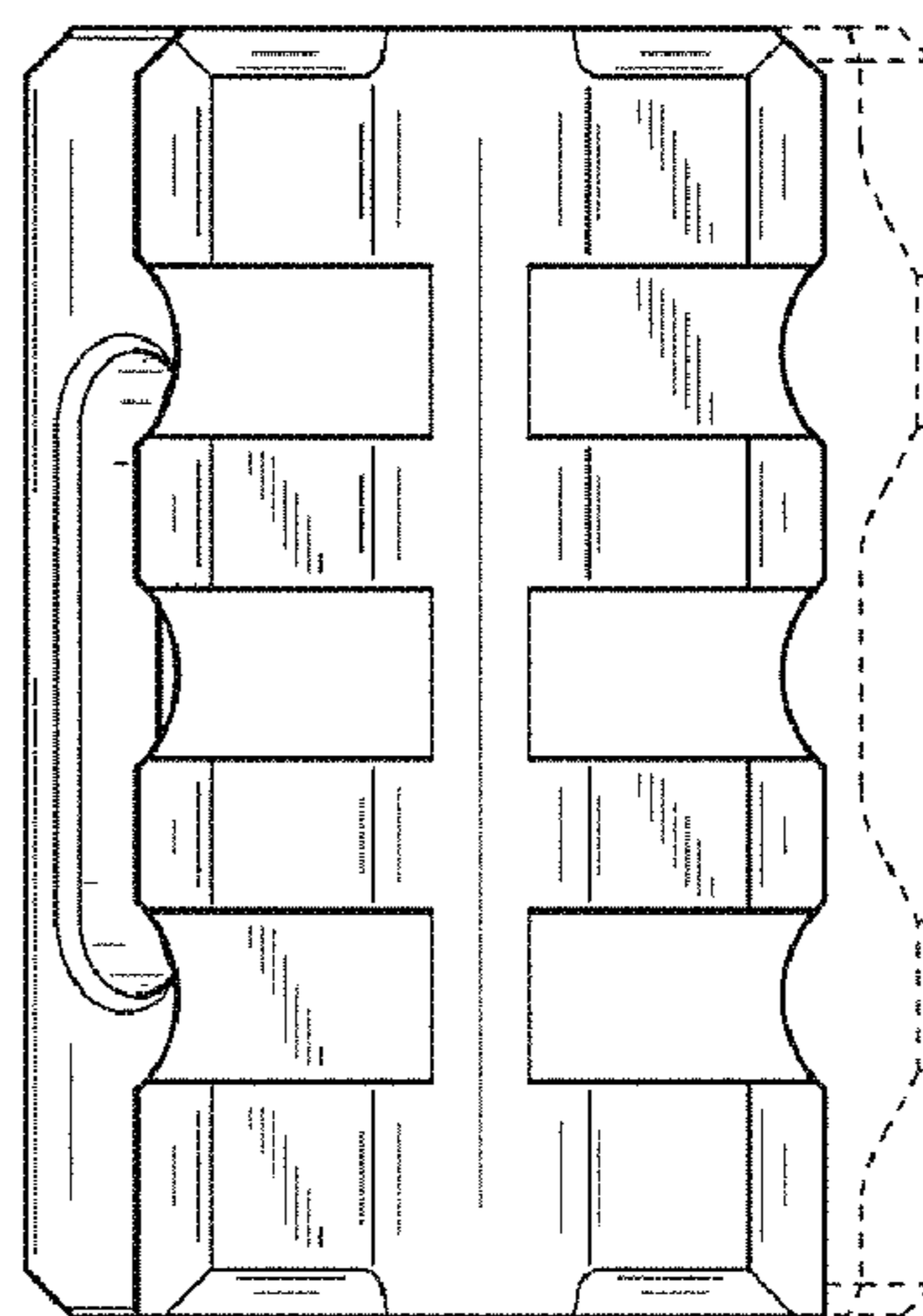
FIG. 12 is a left side elevational view of the embodiment of FIG. 8;

FIG. 13 is a top view of the embodiment of FIG. 8; and,

FIG. 14 is a bottom view of the embodiment of FIG. 8.

The broken lines shown in the figures are included for the purpose of illustrating portions of the article and form no part of the claimed design.

1 Claim, 8 Drawing Sheets



(58) **Field of Classification Search**
 CPC F41G 1/16; F41G 1/22; F41G 1/24; F41G
 1/26; F41G 1/28; F41G 1/545; F41G
 11/00; F41G 11/003; F41G 11/004; F41G
 11/007; F41C 27/00
 See application file for complete search history.

(56) **References Cited**

U.S. PATENT DOCUMENTS

D548,811	S *	8/2007	Swan	D22/109
D616,521	S *	5/2010	Starnes	D22/108
D674,859	S *	1/2013	Robbins	D22/108
8,505,231	B2 *	8/2013	Chung	F41G 1/35 42/113
8,528,246	B2 *	9/2013	Telles	F41C 23/16 42/71.01
D709,582	S *	7/2014	Geissele	D22/108
D713,483	S *	9/2014	Firpo	D22/108
D726,864	S *	4/2015	Huang, Sr.	D22/108
9,015,982	B1 *	4/2015	Powers	F41G 1/44 42/119
D732,628	S *	6/2015	Cheng	D22/108
D739,489	S *	9/2015	DeGoma	D22/103
D739,491	S *	9/2015	Norberg	D22/108
D741,442	S *	10/2015	Wilson	D22/108
D745,621	S *	12/2015	Huang	D22/108
D747,426	S *	1/2016	Cheng	D22/108
D747,428	S *	1/2016	Chen	D22/108
D751,663	S *	3/2016	Ding	D22/108

D752,171	S *	3/2016	Chen	D22/108
D754,274	S *	4/2016	Geissele	D22/108
D757,876	S *	5/2016	Boswell, Jr.	D22/108
D761,929	S *	7/2016	Hormann	D22/108
9,453,703	B2 *	9/2016	Michal	F41C 23/16
D768,801	S *	10/2016	Morris	D22/108
9,476,672	B2 *	10/2016	Wells	F41C 23/16
D771,216	S *	11/2016	Dubois	D22/108
2010/0037505	A1 *	2/2010	Romer	F41G 11/003 42/124
2011/0010979	A1 *	1/2011	Houde-Walter	F41C 23/22 42/84
2011/0197491	A1 *	8/2011	McCann	F41G 1/033 42/132
2013/0219767	A1 *	8/2013	Peterson	F41G 11/003 42/113
2016/0245621	A1 *	8/2016	Kintzing	F41G 11/003
2016/0377383	A1 *	12/2016	Downing	F41G 11/003 42/111
2017/0023333	A1 *	1/2017	Faifer	F41A 3/66

OTHER PUBLICATIONS

Nikko Stirling Mossberg Shotgun 500/590/835 Weaver/Picatinny Scope Mount Rail 13 Slots M0014, posted at DHgate, review posting date Sep. 9, 2014. [online], [site visited Oct. 25, 2016]. Available from Internet, <URL:http://www.dhgate.com/product/nikko-stirling-mossberg-shotgun-500-590-835/183852111.html>.*

* cited by examiner

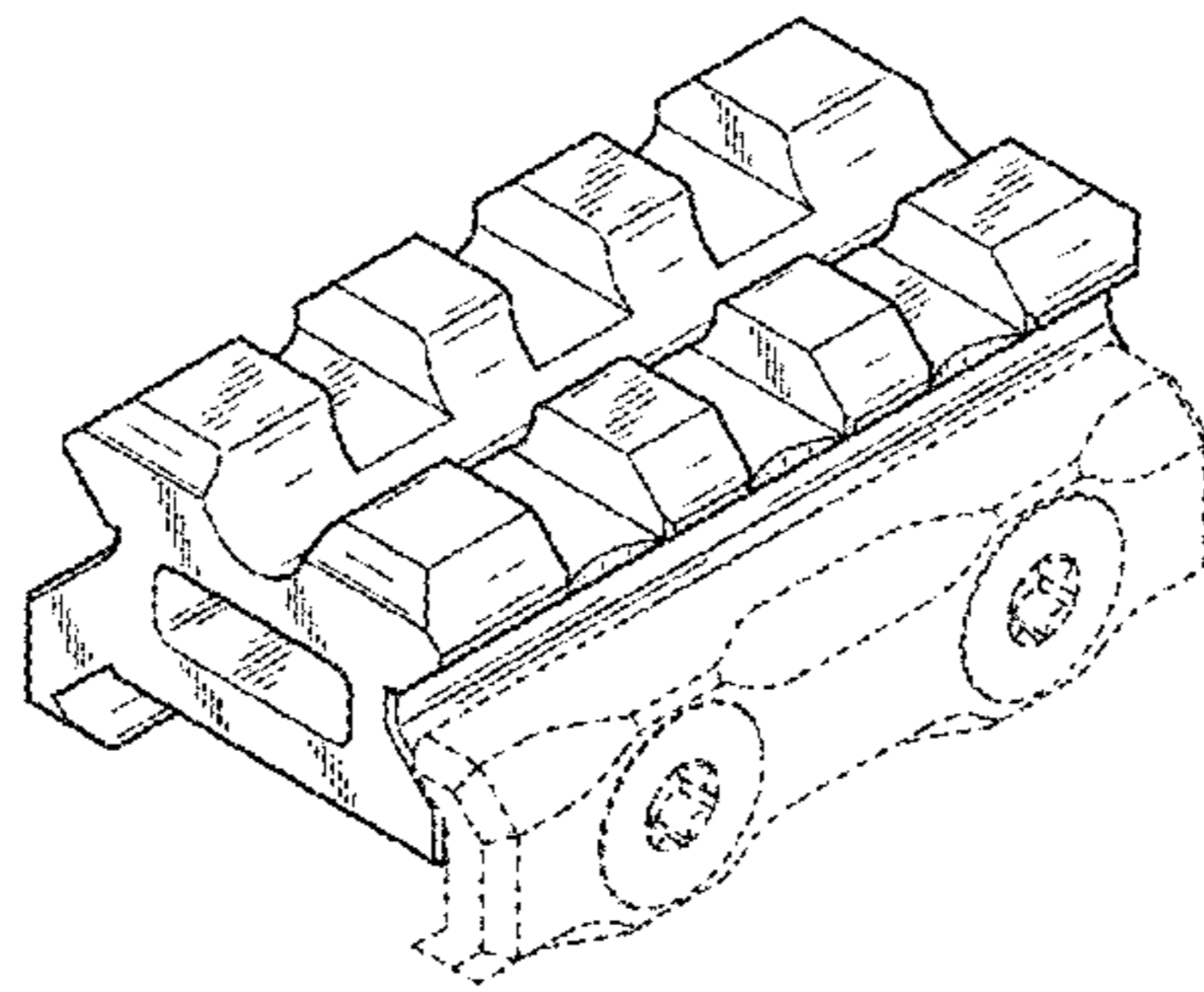


FIG. 1

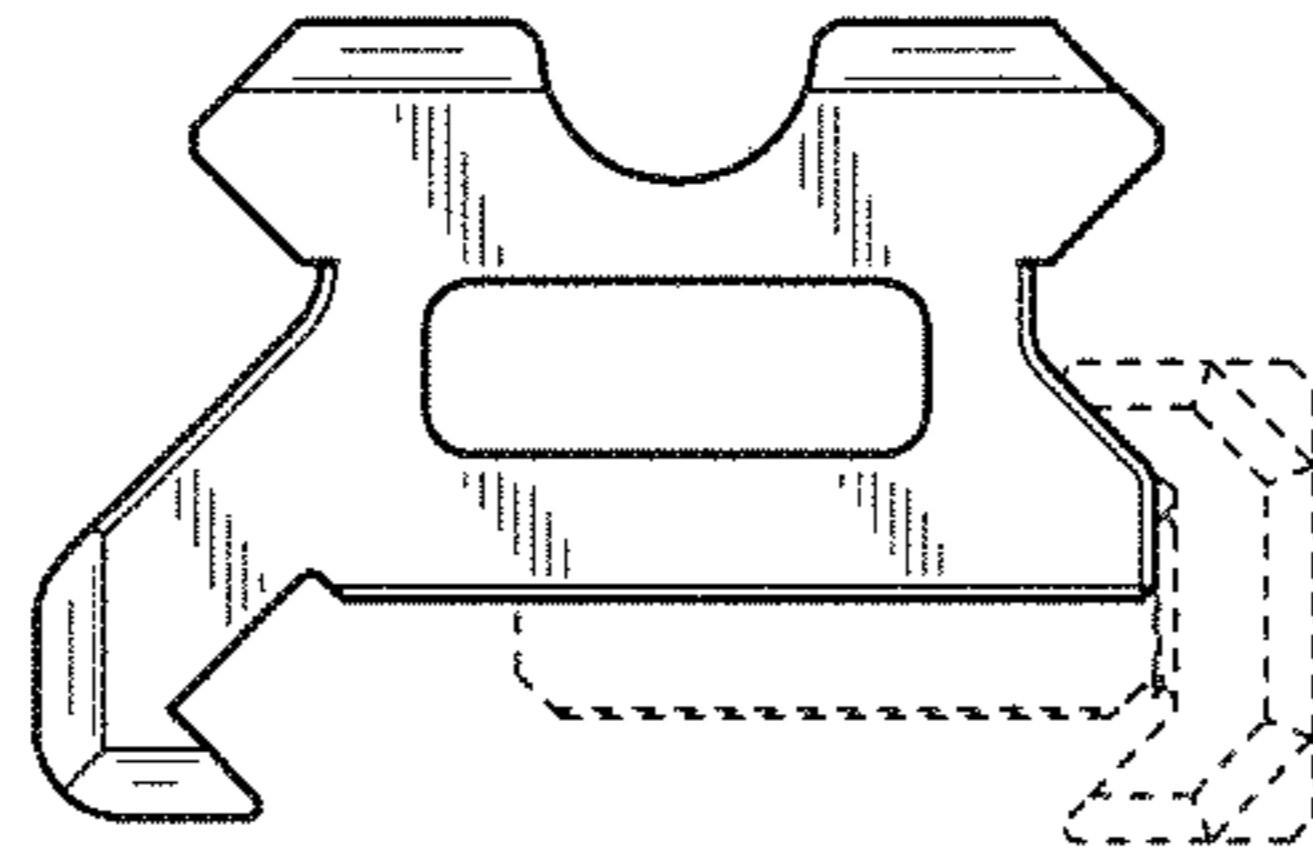


FIG. 2

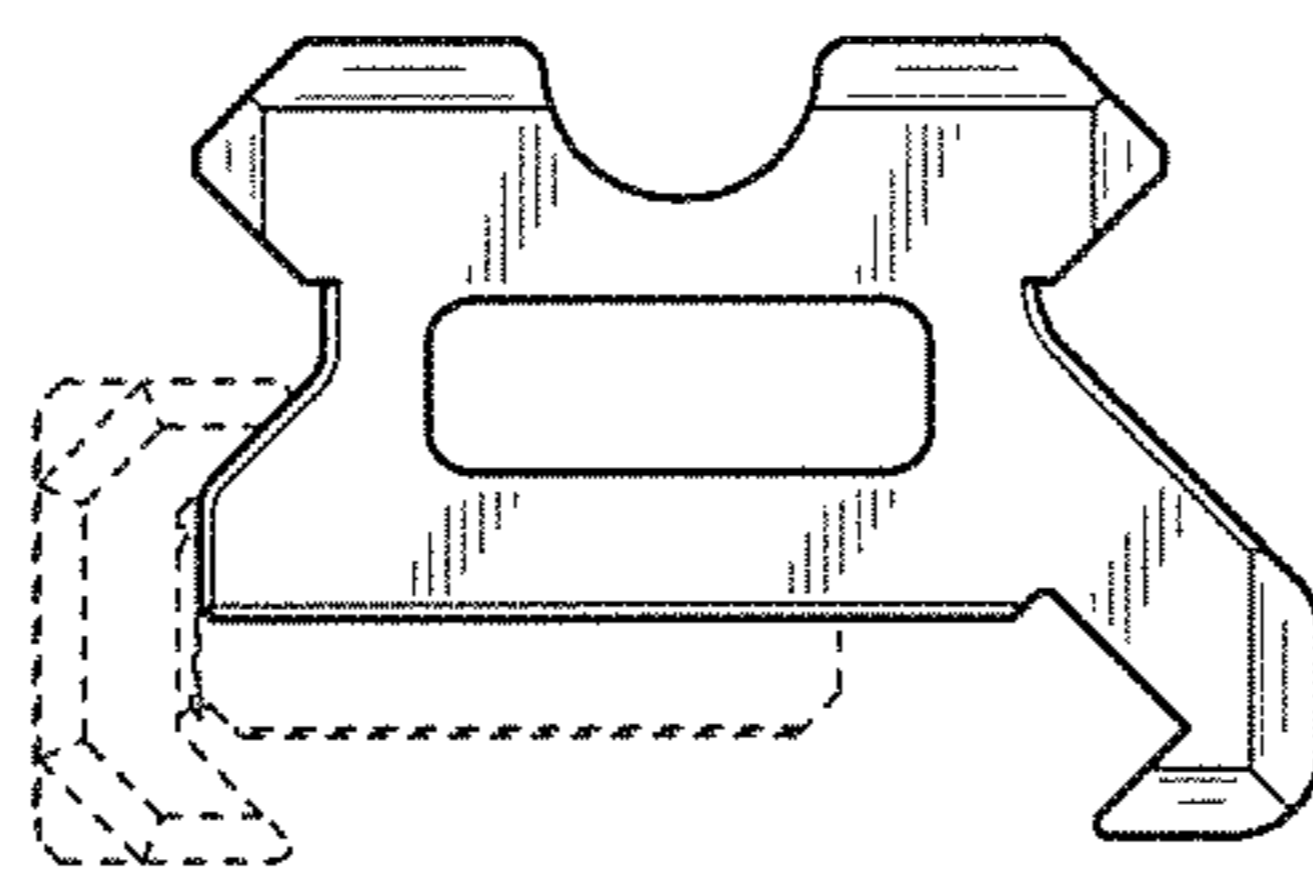


FIG. 3

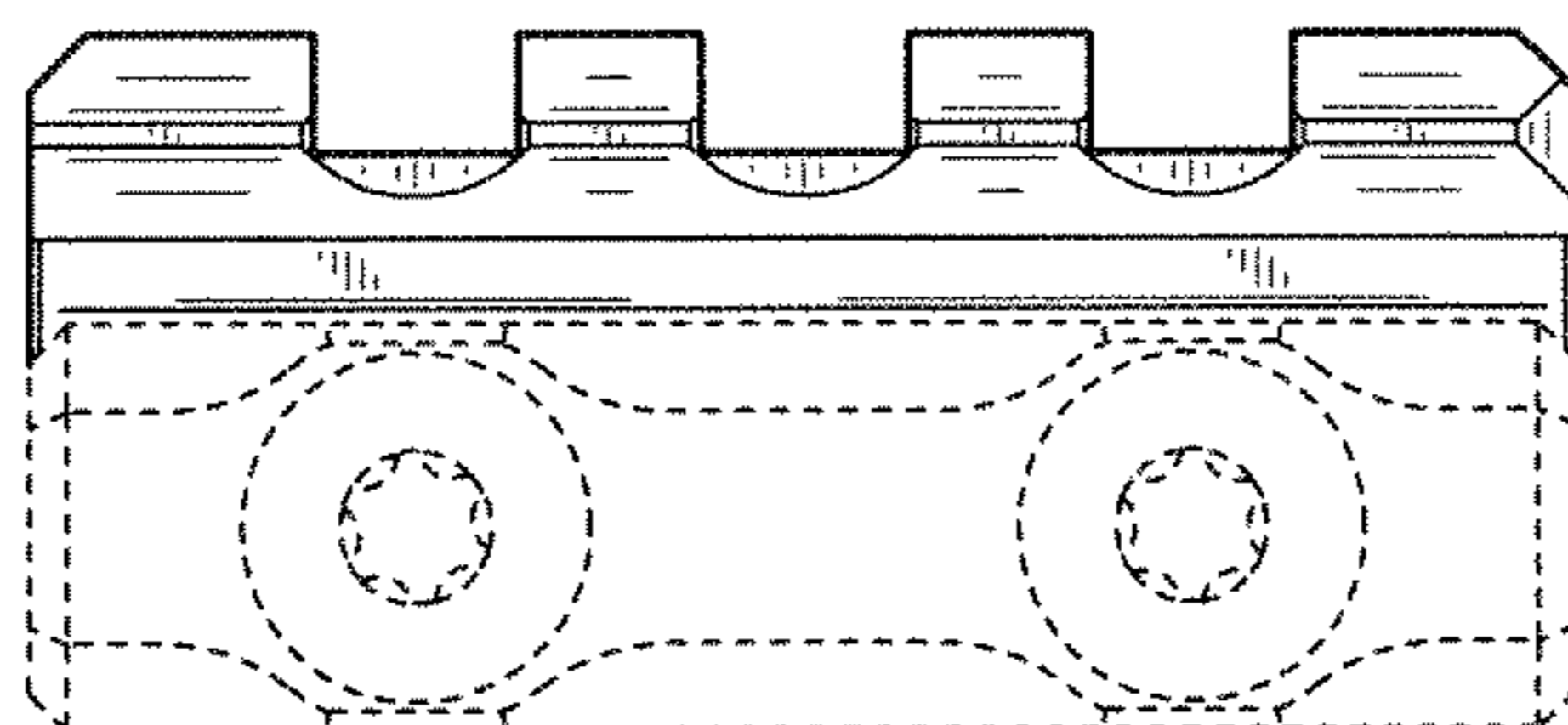


FIG. 4

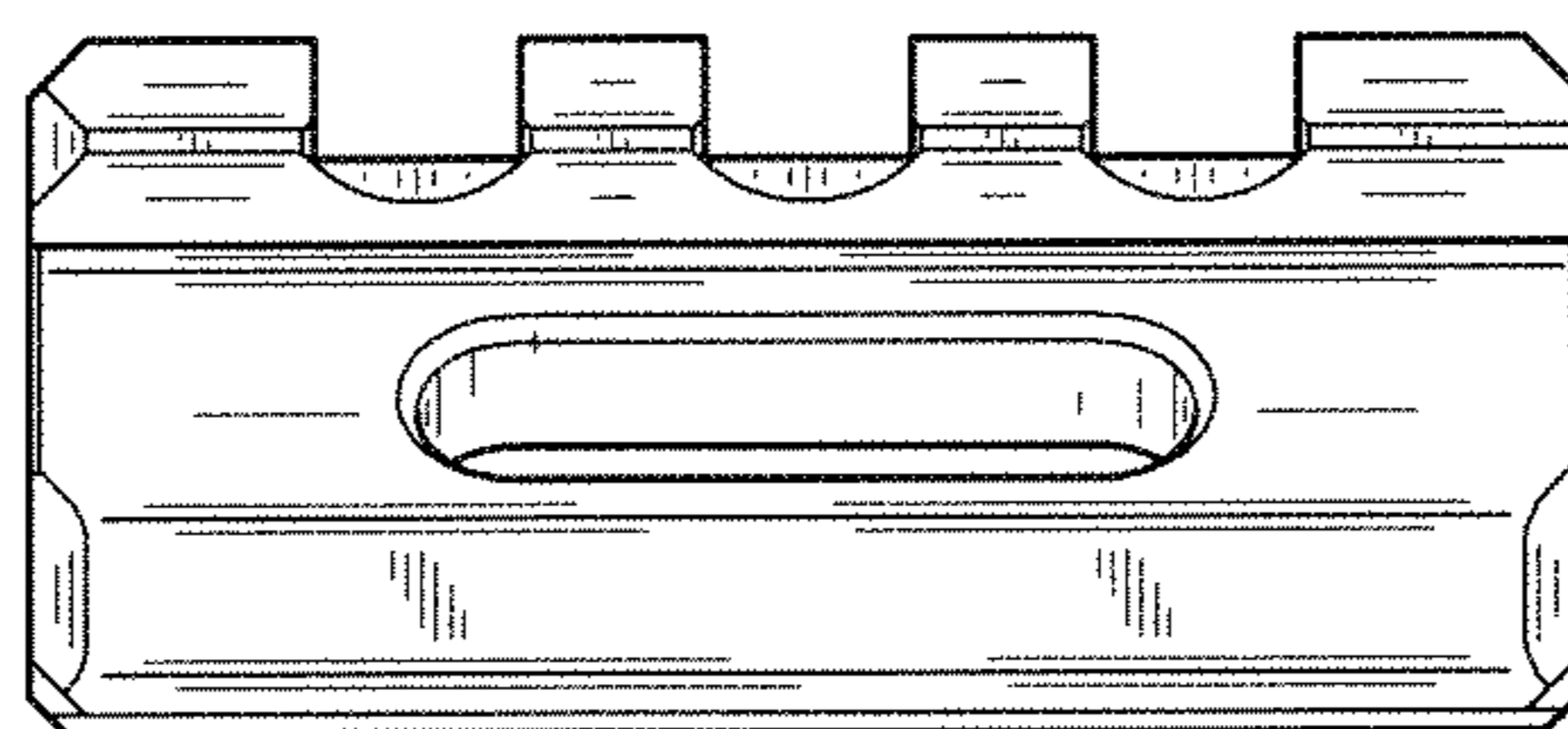


FIG. 5

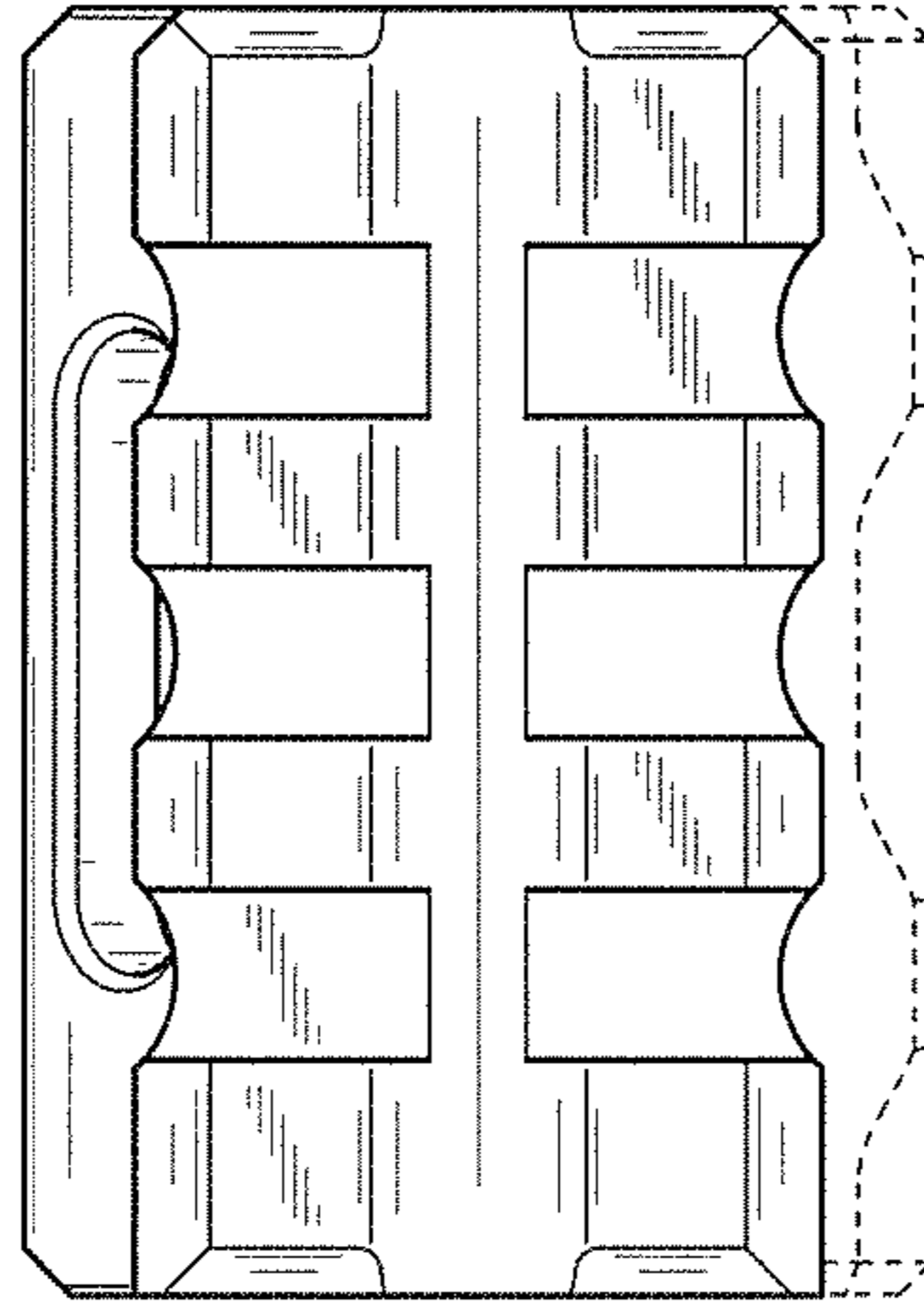


FIG. 6

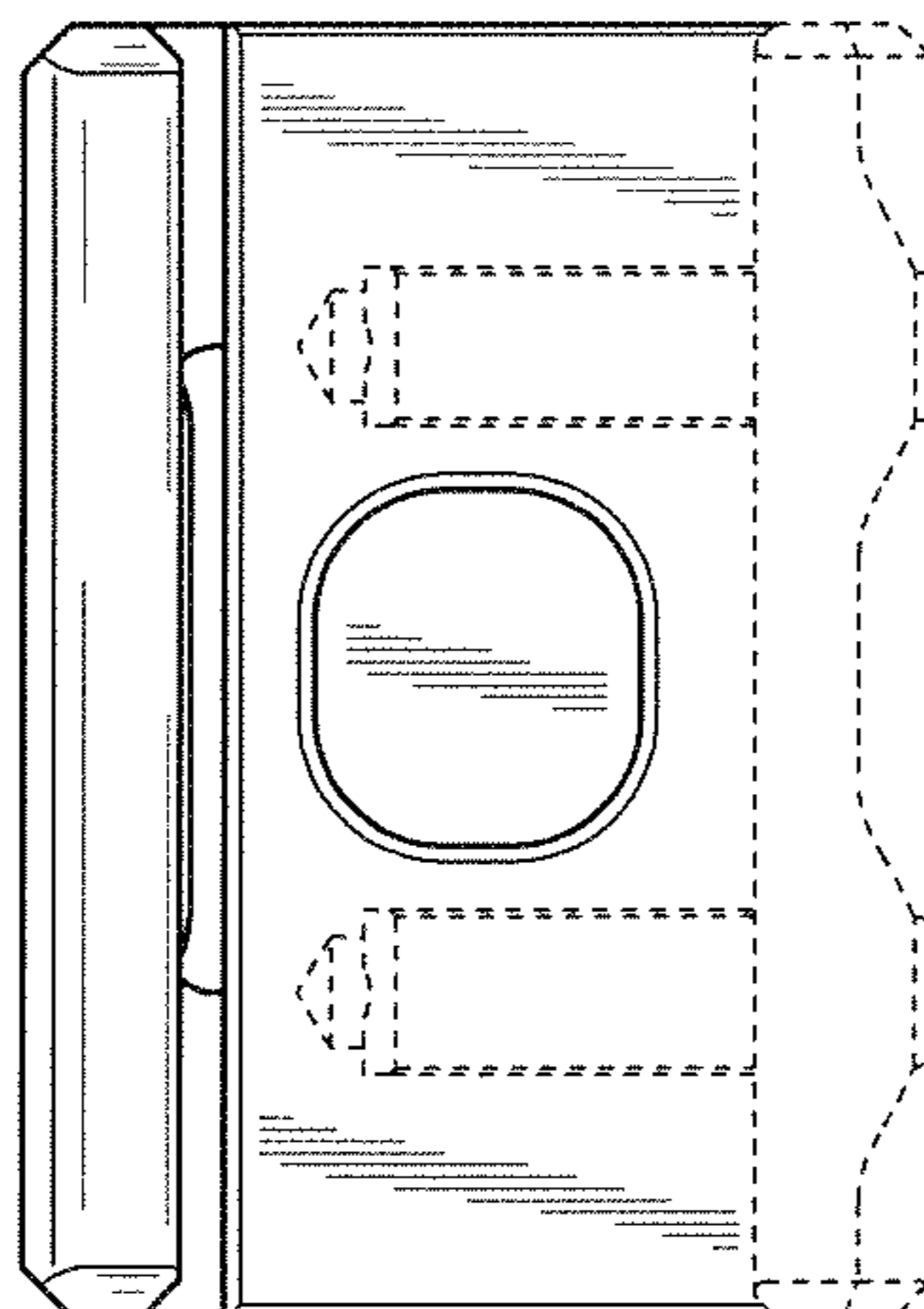
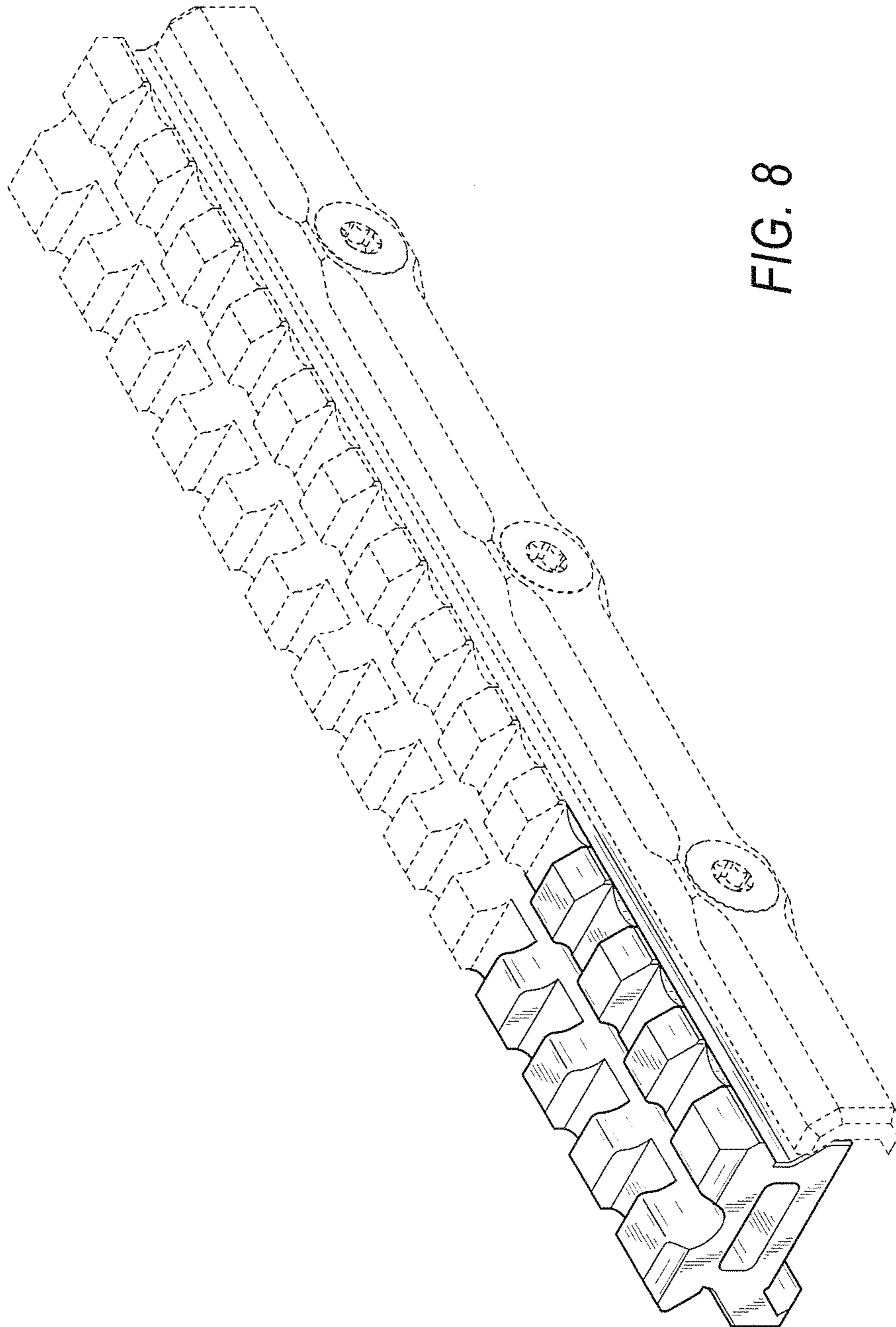


FIG. 7



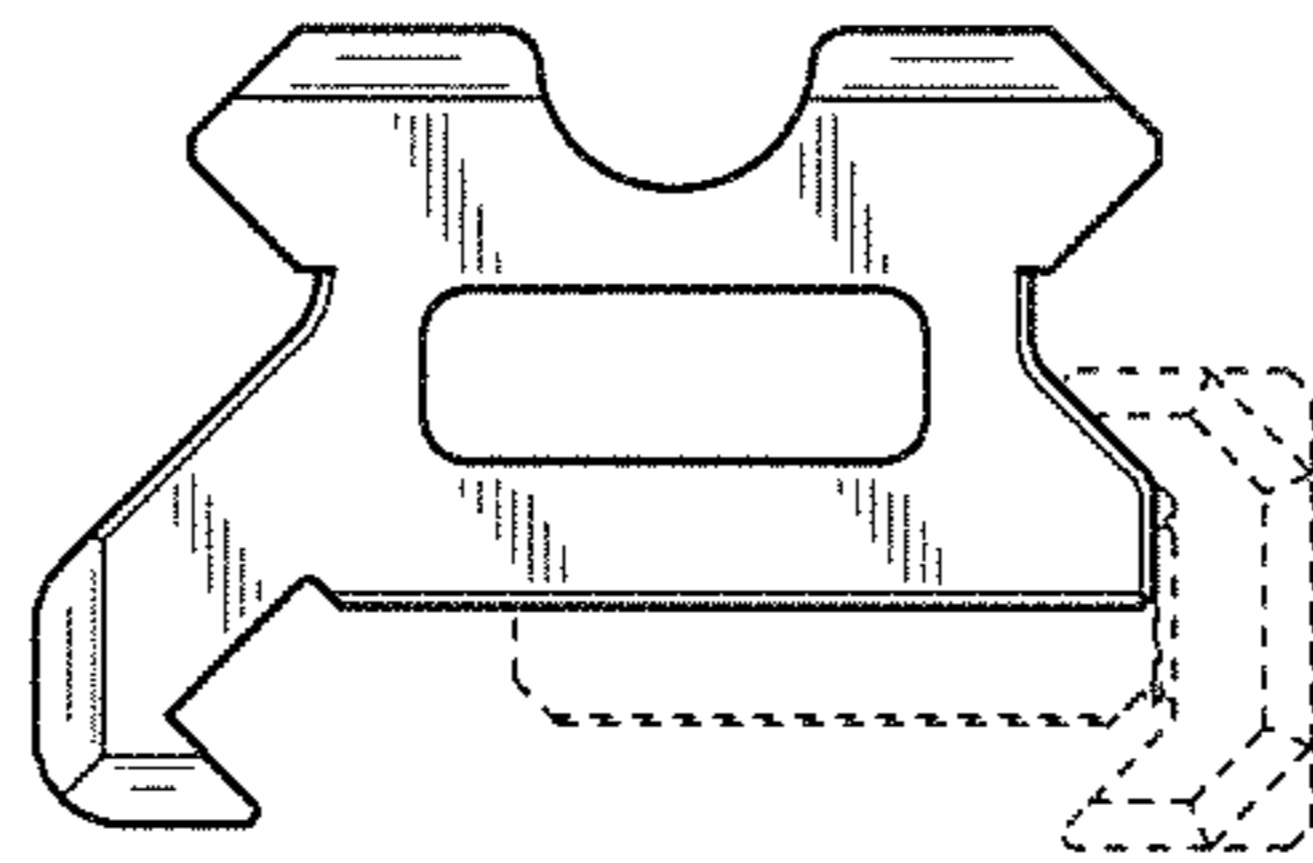


FIG. 9

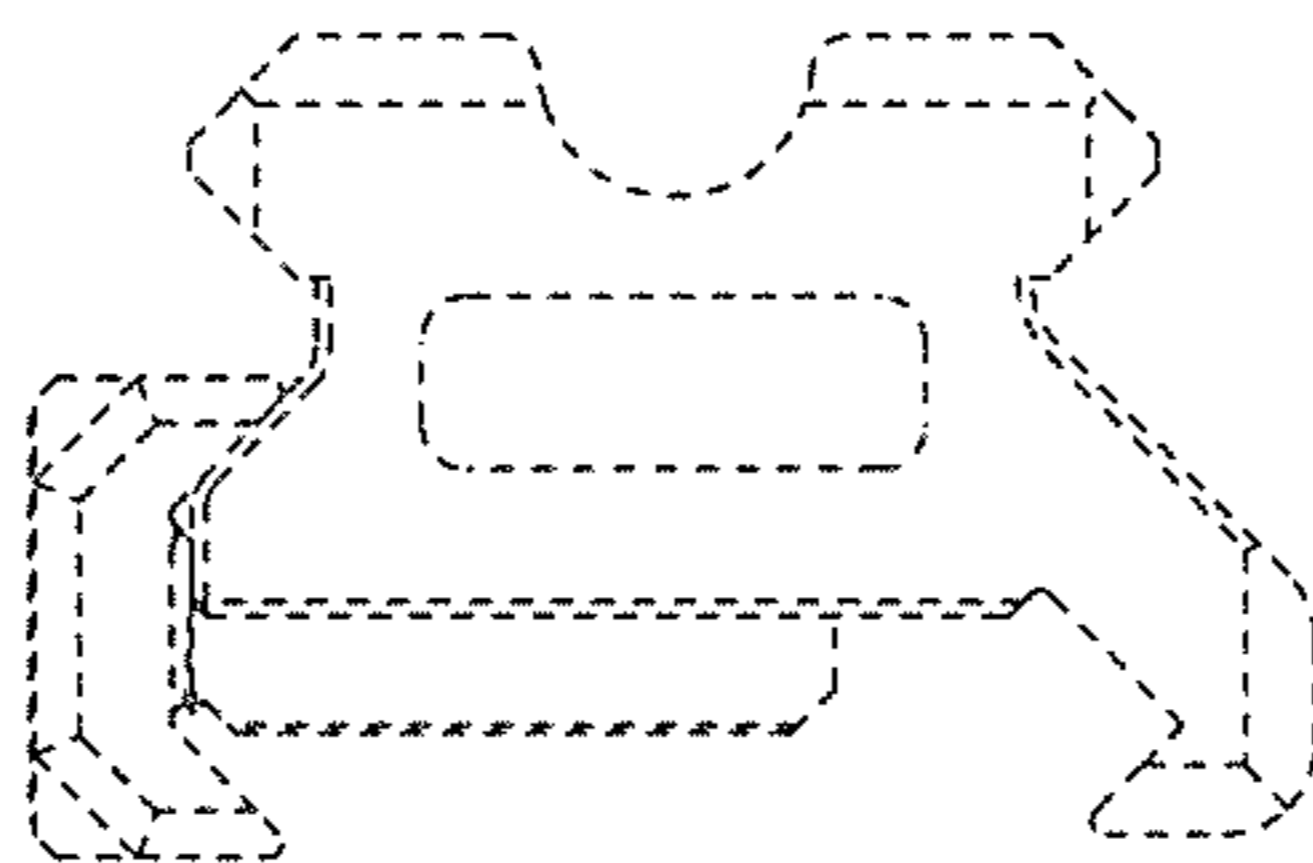


FIG. 10

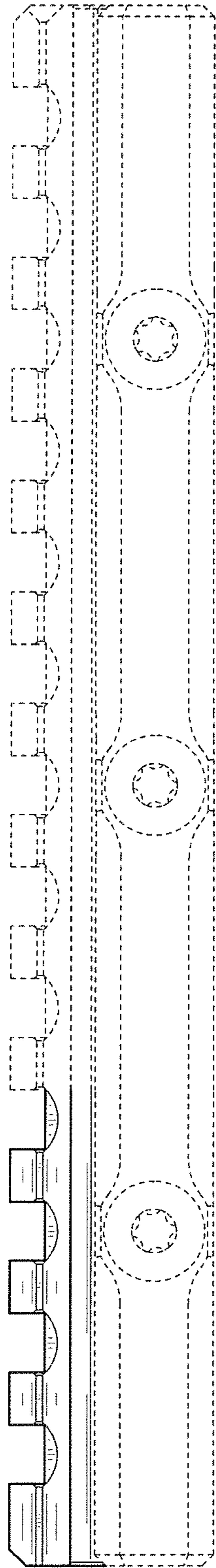


FIG. 11

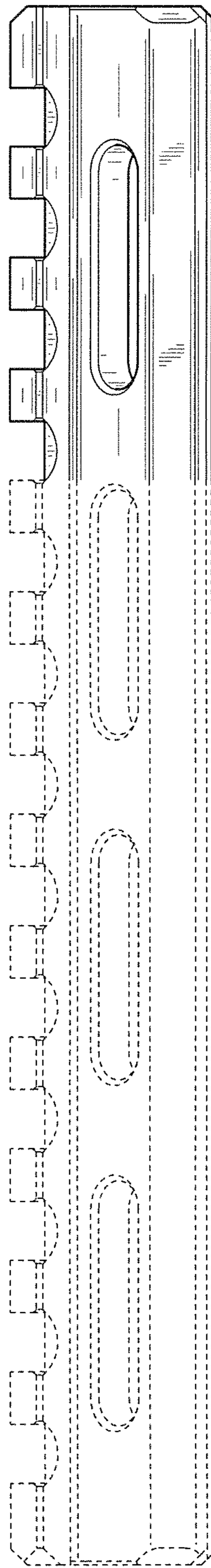


FIG. 12

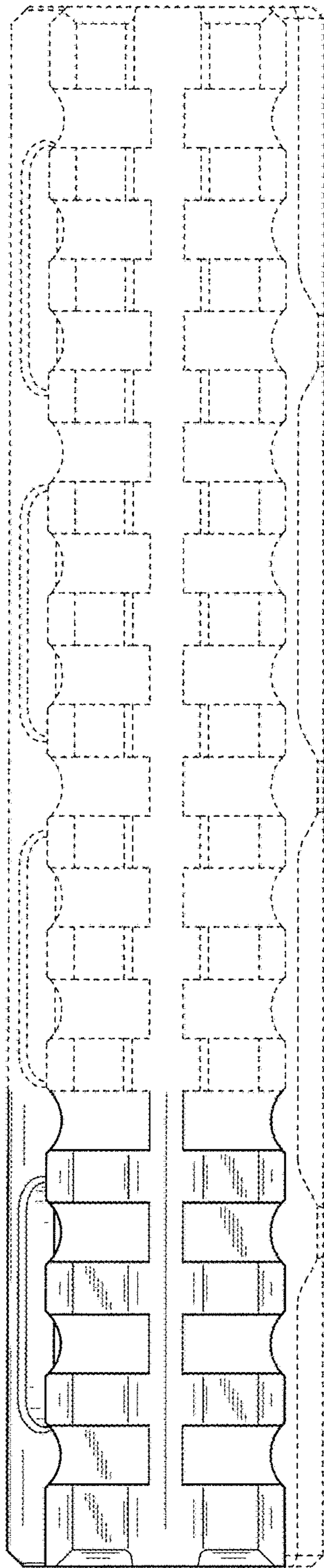


FIG. 13

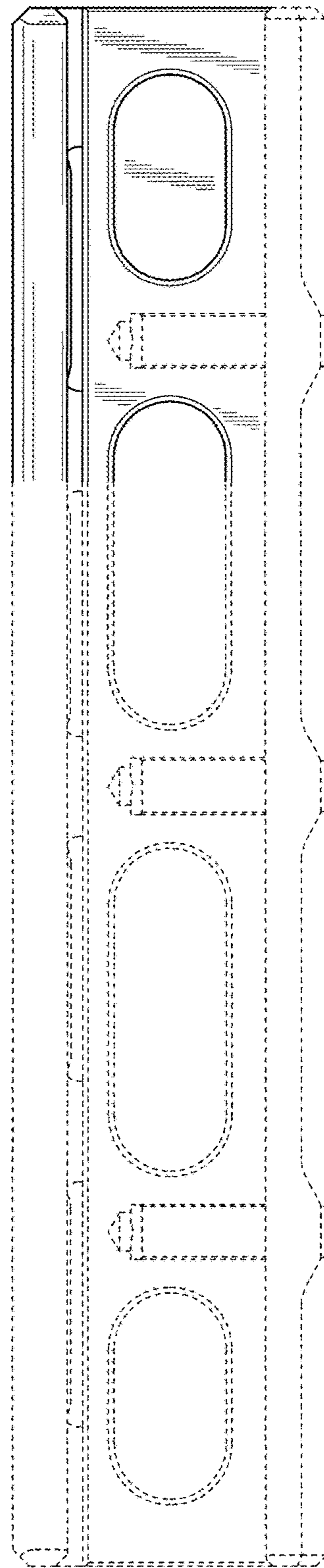


FIG. 14