



US00D784480S

(12) **United States Design Patent**
Oz et al.

(10) **Patent No.:** **US D784,480 S**
(45) **Date of Patent:** **** Apr. 18, 2017**

(54) **OPTIC SIGHT**

(71) Applicant: **HARTMAN OPTICS LTD.**, Kiryat Gat (IL)

(72) Inventors: **Moshe Oz**, Tel Aviv-Yafo (IL); **Mickey (Michael) Hartman**, Gedera (IL)

(73) Assignee: **HARTMAN OPTICS LTD.**, Kirya Gat (IL)

(**) Term: **15 Years**

(21) Appl. No.: **29/538,174**

(22) Filed: **Sep. 1, 2015**

Related U.S. Application Data

(63) Continuation-in-part of application No. 14/840,080, filed on Aug. 31, 2015.

(51) **LOC (10) Cl.** **22-01**

(52) **U.S. Cl.**
USPC **D22/109**

(58) **Field of Classification Search**
USPC D22/108-109
CPC . F41G 11/003; F41G 1/00; F41G 1/16; F41G 1/345

See application file for complete search history.

(56) **References Cited**

U.S. PATENT DOCUMENTS

D612,756 S * 3/2010 D'Amelio D10/70
D662,566 S * 6/2012 Estes D22/109

D704,296 S * 5/2014 Cheng D22/109
D747,430 S * 1/2016 Theisinger D22/109
D747,431 S * 1/2016 Cheng D22/109
9,316,460 B2 * 4/2016 Cheng F41G 1/345
9,500,442 B2 * 11/2016 Collin G03H 1/0005
2016/0102943 A1 * 4/2016 Teetzel F41G 1/35
42/113

* cited by examiner

Primary Examiner — Michael A Pratt

(74) *Attorney, Agent, or Firm* — Pearl Cohen Zedek Latzer Baratz LLP

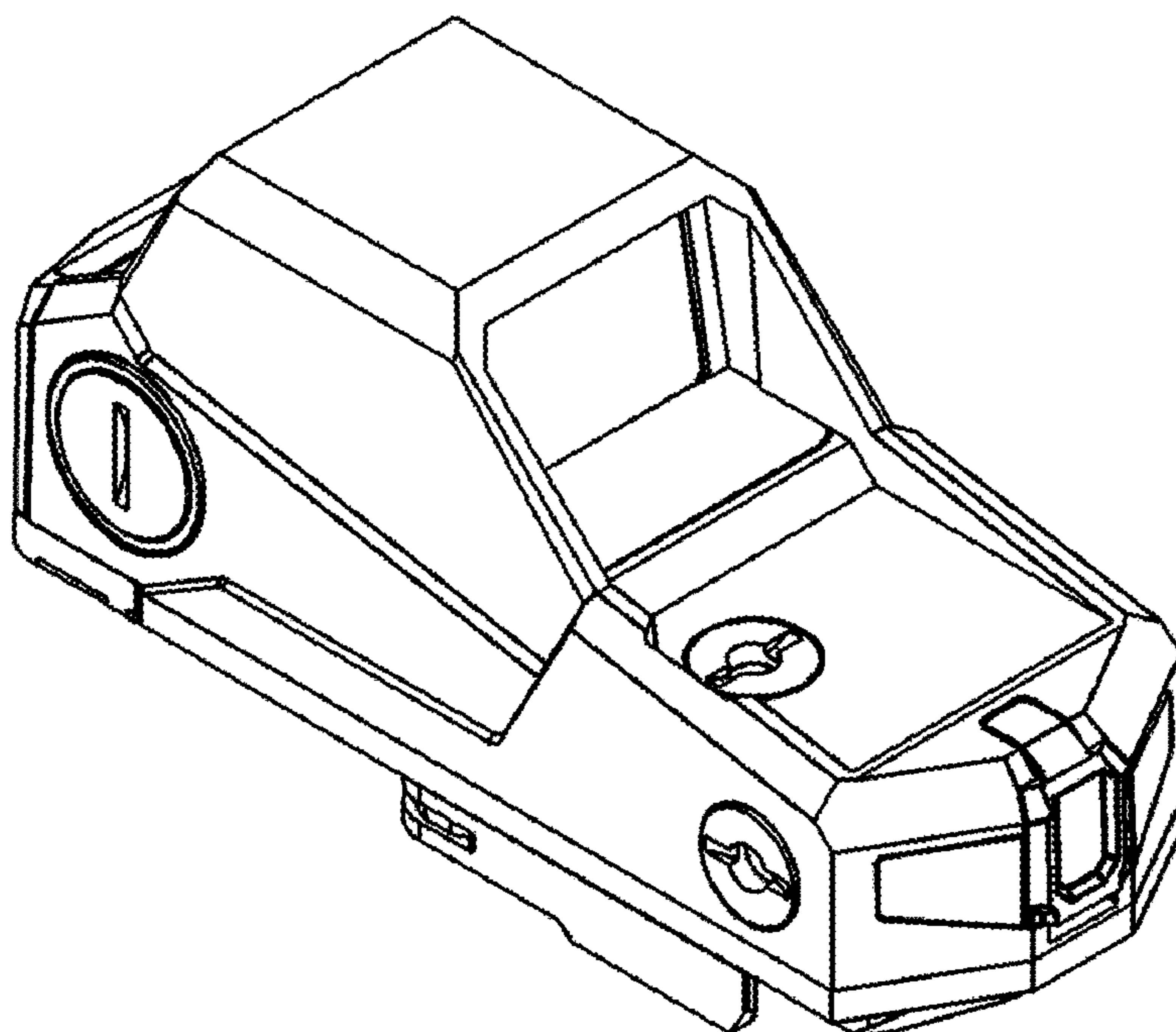
(57) **CLAIM**

The ornamental design for an optic sight, as shown and described.

DESCRIPTION

FIG. 1 is a top, front, left side perspective view of an optic sight;
FIG. 2 is a top, back, right side perspective view thereof;
FIG. 3 is a front elevational view thereof;
FIG. 4 is a back elevational view thereof;
FIG. 5 is a right side elevational view thereof;
FIG. 6 is a left side elevational view thereof;
FIG. 7 is a top plan view thereof; and,
FIG. 8 is a bottom plan view thereof.

1 Claim, 4 Drawing Sheets



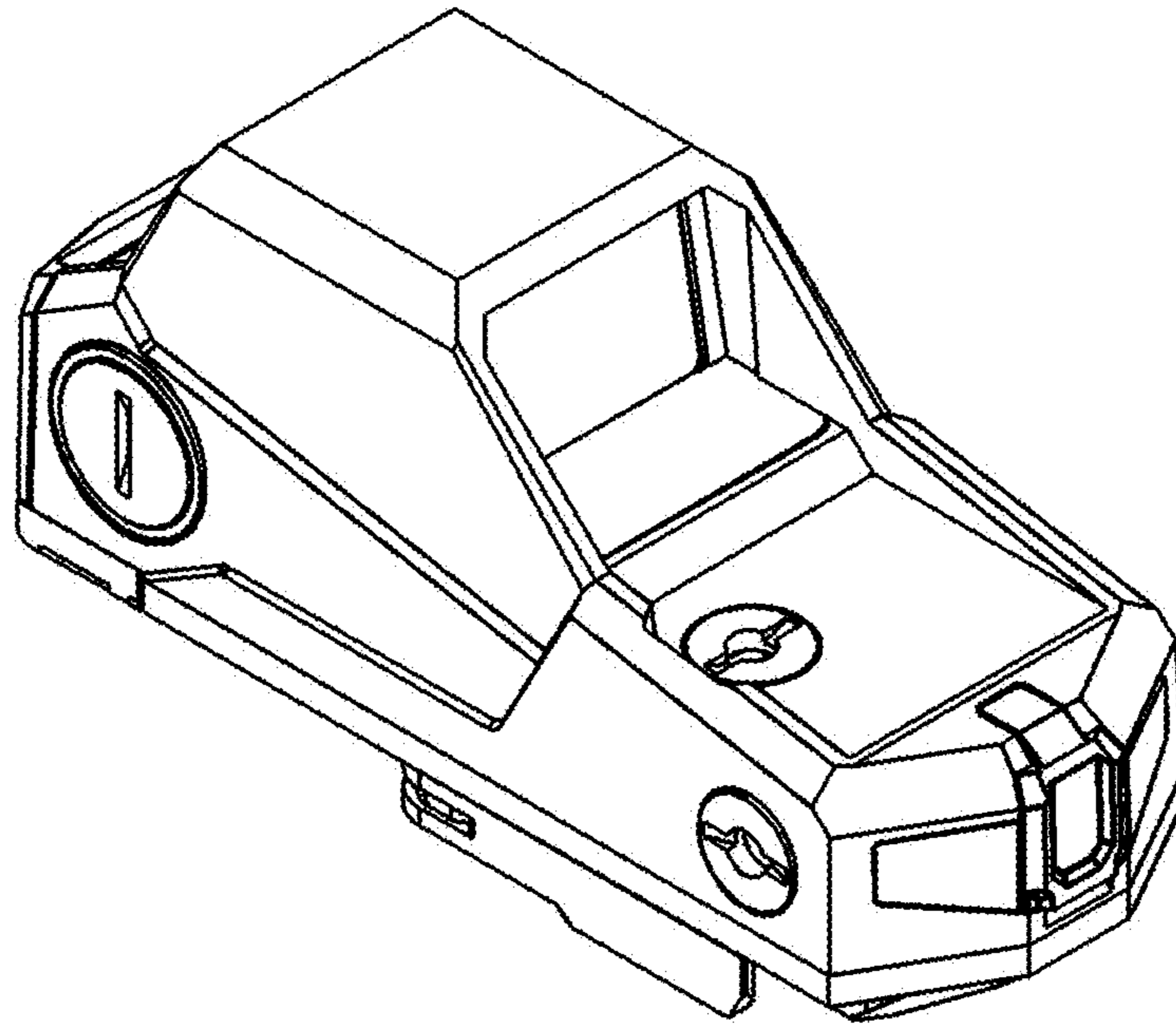


FIG. 1

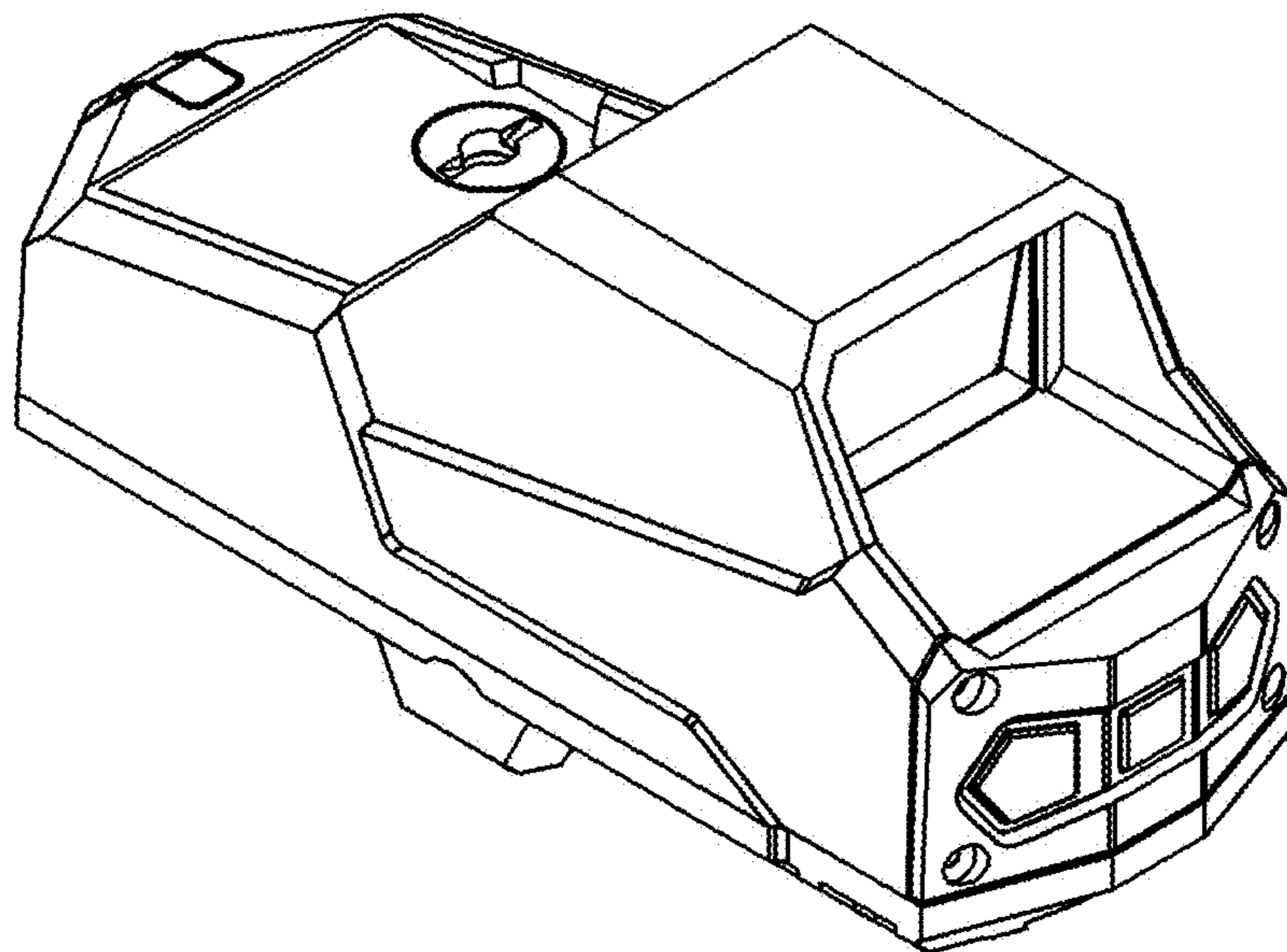


FIG. 2

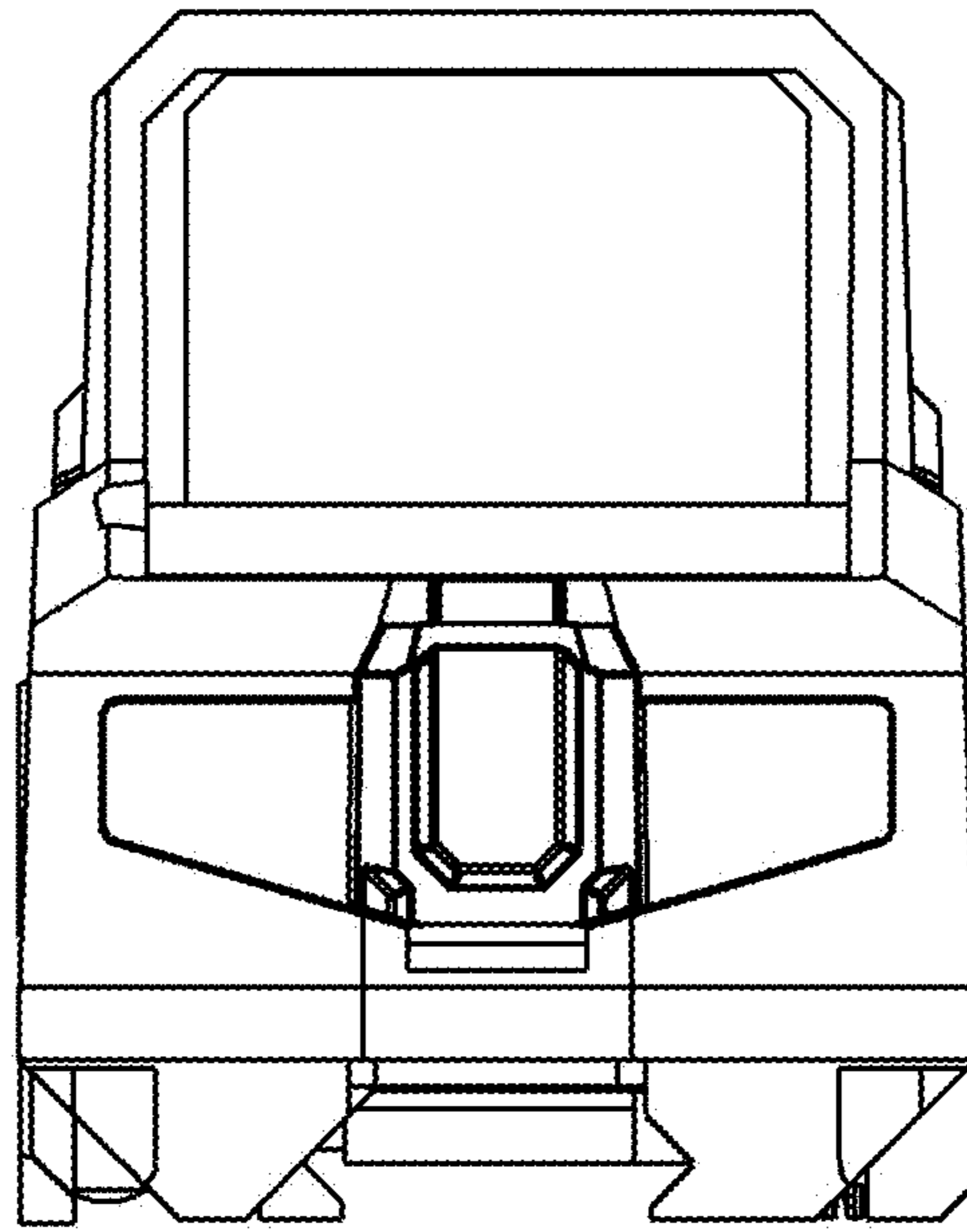


FIG. 3

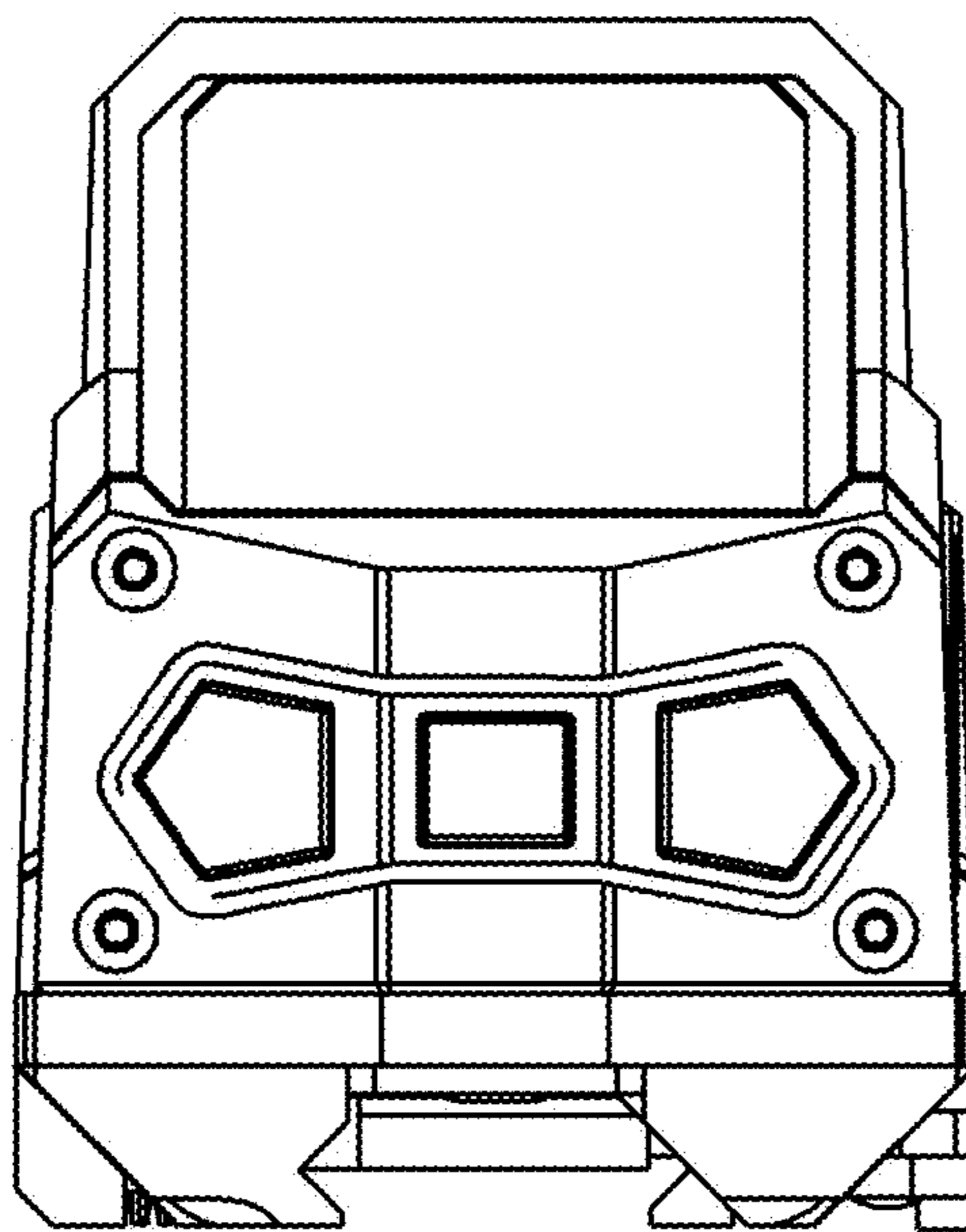


FIG. 4

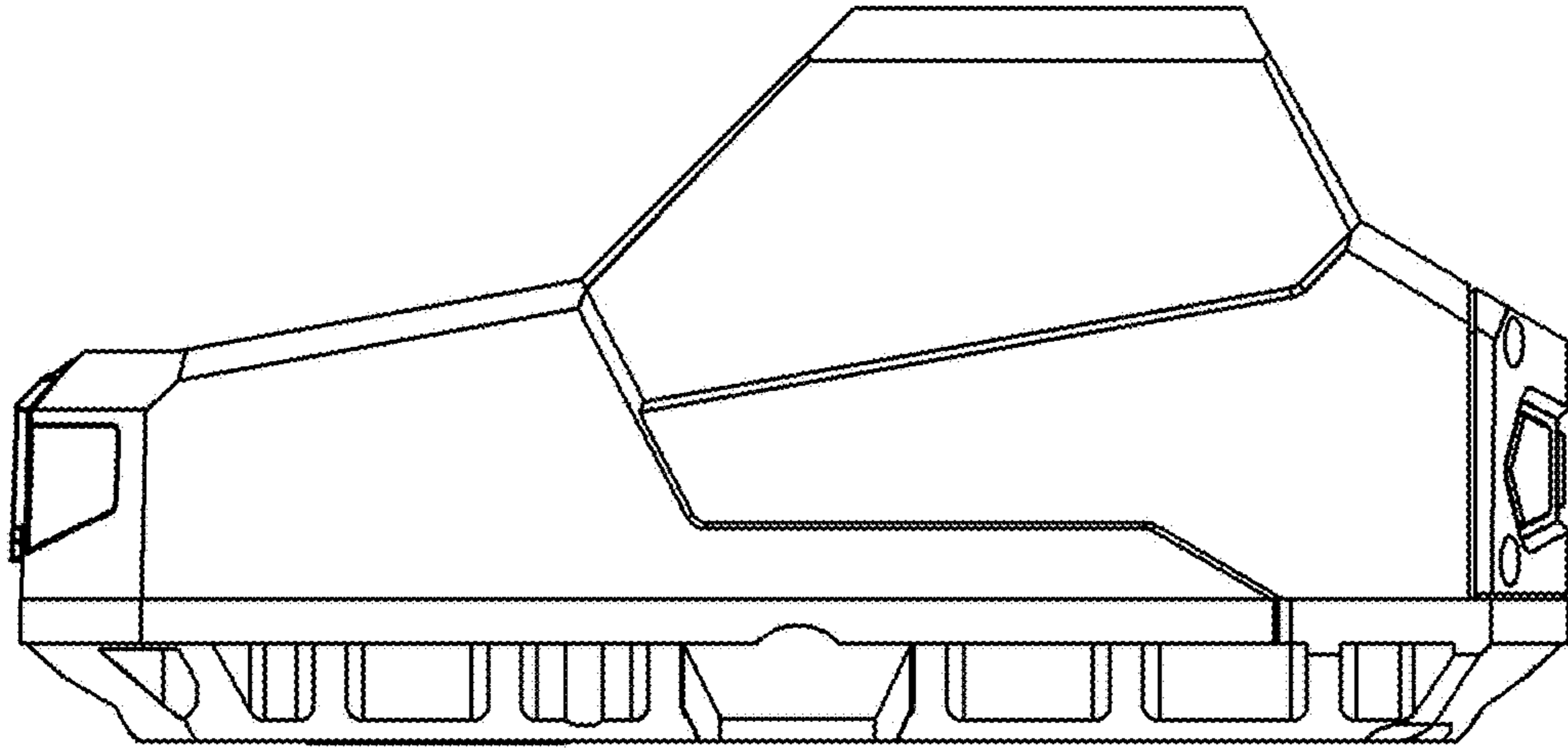


FIG. 5

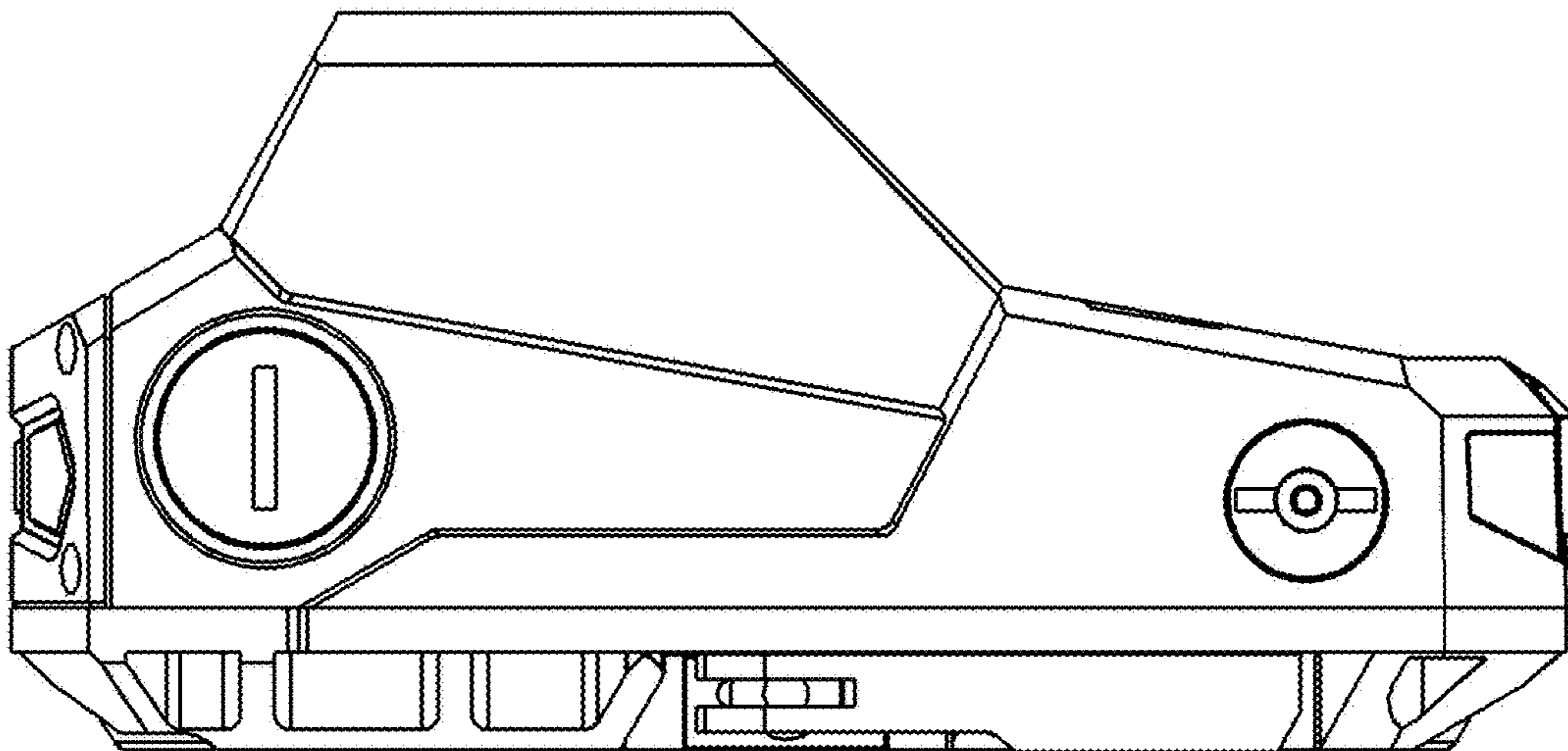


FIG. 6

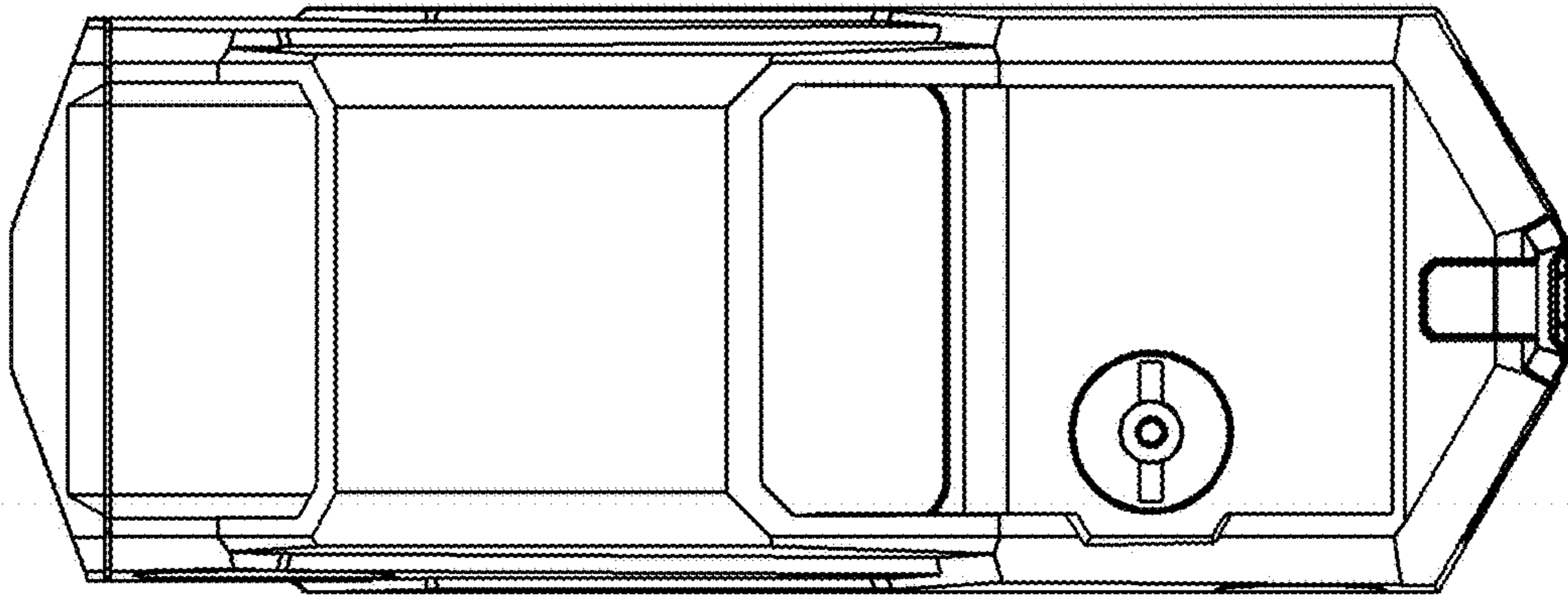


FIG. 7

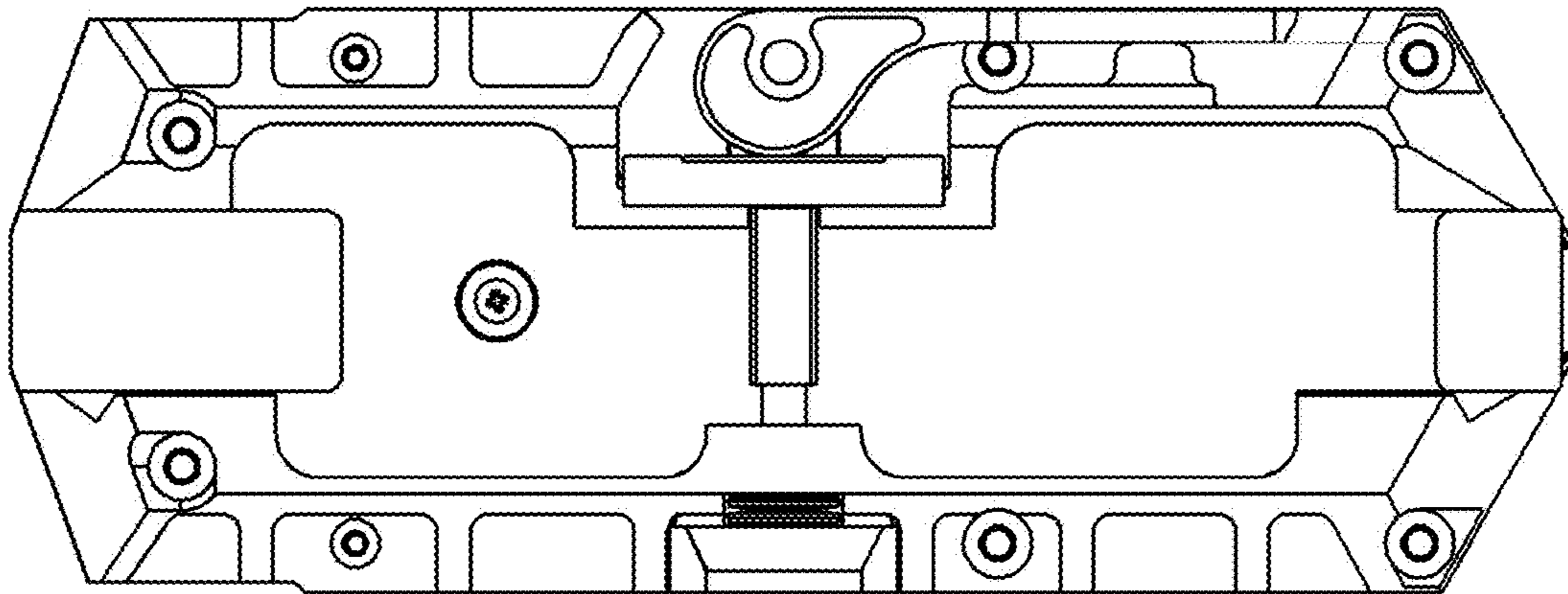


FIG. 8