



US00D784479S

(12) **United States Design Patent** (10) **Patent No.:** **US D784,479 S**
Niswander (45) **Date of Patent:** **** Apr. 18, 2017**

(54) **FIREARM SLIDE**

(71) Applicant: **Agency Arms, LLC**, Camarillo, CA (US)

(72) Inventor: **Randy Paul Niswander**, Oxnard, CA (US)

(73) Assignee: **AGENCY ARMS, LLC**, Camarillo, CA (US)

(**) Term: **15 Years**

(21) Appl. No.: **29/548,213**

(22) Filed: **Dec. 11, 2015**

(51) **LOC (10) Cl.** **22-01**

(52) **U.S. Cl.**
USPC **D22/108**

(58) **Field of Classification Search**
USPC D22/108, 104; D21/571-575
CPC F41C 3/14; F41C 3/16; F41C 3/04
See application file for complete search history.

(56) **References Cited**

U.S. PATENT DOCUMENTS

D292,112 S *	9/1987	Ruger	D22/104
D359,098 S *	6/1995	Stevens	D22/104
D376,831 S *	12/1996	Resuggan	D22/100
D387,841 S *	12/1997	Hochstrate	D22/100
D387,842 S *	12/1997	Kaminski	D22/100
5,717,156 A *	2/1998	Lenkarski	F41C 3/00 42/15
5,753,848 A *	5/1998	Kart	F41A 5/04 89/16
D503,208 S *	3/2005	Krieger	D22/104
6,964,123 B2 *	11/2005	Vicale	F41C 3/00 42/106
6,993,864 B1 *	2/2006	O'Clair	F41A 5/04 42/71.02
D518,056 S *	3/2006	Ma	D14/403

D559,337 S *	1/2008	Wang	D21/574
D583,896 S *	12/2008	McGarry	D22/104
D584,374 S *	1/2009	McGarry	D22/104
7,506,469 B2 *	3/2009	Poulin	F41A 11/02 42/71.02

(Continued)

FOREIGN PATENT DOCUMENTS

DE	EP 1717539	*	11/2006	
WO	WO0216855	*	2/2002 F41A 19/70

OTHER PUBLICATIONS

The Agency Slide, Agency Arms website, [online], [site visited Sep. 14, 2016]. <URL: <http://www.agencyarms.com/the-agency-slide>>.*

(Continued)

Primary Examiner — T. Chase Nelson

Assistant Examiner — Jonathan J Han

(74) *Attorney, Agent, or Firm* — Eversheds Sutherland (US) LLP

(57) **CLAIM**

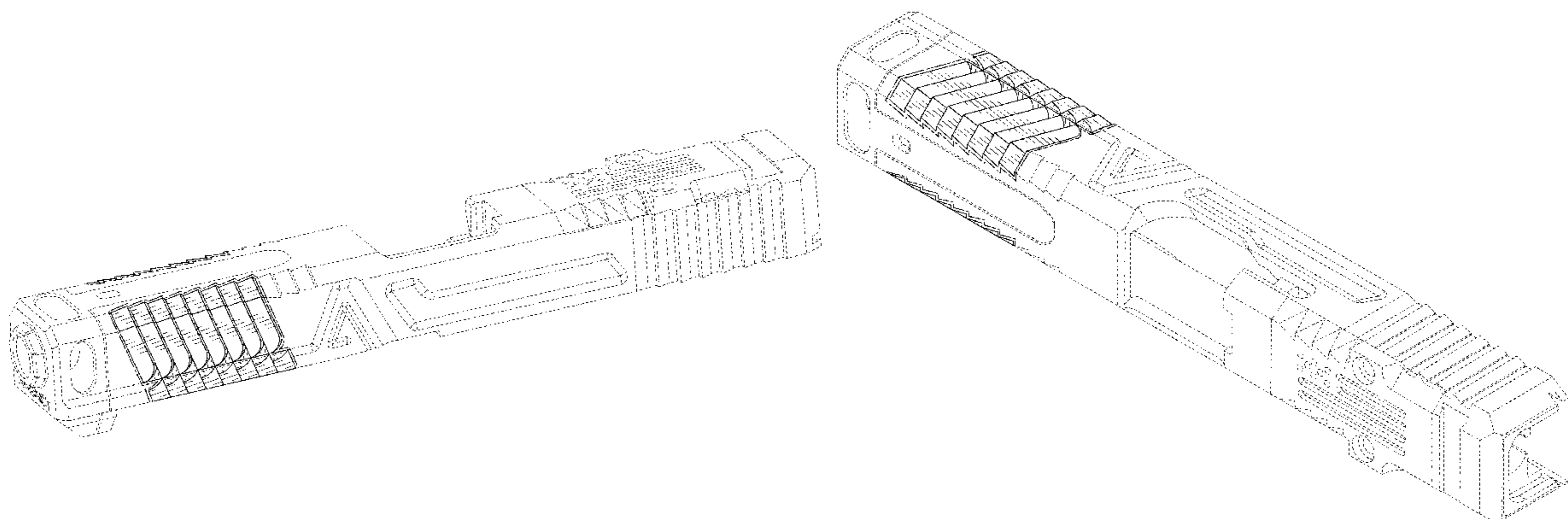
The ornamental design for a firearm slide, as shown and described.

DESCRIPTION

FIG. 1 is a perspective view of a firearm slide according to the embodiment of the disclosure; FIG. 2 is a perspective view thereof; FIG. 3 is a top view thereof; FIG. 4 is a bottom view thereof; FIG. 5 is a side view thereof; FIG. 6 is a side view thereof; FIG. 7 is a front view thereof; and, FIG. 8 is a rear view thereof.

The broken lines in the drawings are used to illustrate unclaimed parts of the firearm slide and form no part of the claimed design.

1 Claim, 5 Drawing Sheets



(56)

References Cited

U.S. PATENT DOCUMENTS

7,526,890 B1 * 5/2009 Keng F41G 1/18
42/111
D593,622 S * 6/2009 Halmone D21/574
D593,623 S * 6/2009 Halmone D21/574
D593,629 S * 6/2009 Bantle D22/104
D598,065 S * 8/2009 Vukovic D22/104
D599,430 S * 9/2009 Siddle D22/108
D627,028 S * 11/2010 Coulombier D22/104
D654,978 S * 2/2012 Karanian D22/104
8,127,481 B2 * 3/2012 Rozum F41A 17/00
42/70.01
8,132,352 B2 * 3/2012 Lippard F41A 17/56
42/1.06
D661,766 S * 6/2012 Siddle D22/103
D671,610 S * 11/2012 Nebeker D22/104
D676,094 S * 2/2013 Hu D21/574
D681,131 S * 4/2013 Su D21/574
8,453,555 B1 * 6/2013 Karfiol F41A 3/14
89/163
D687,117 S * 7/2013 Yigit D22/104
D688,764 S * 8/2013 Yigit D22/104
D690,374 S * 9/2013 Lee D21/574
8,528,243 B1 * 9/2013 Glock F41A 3/66
42/75.02
D702,308 S * 4/2014 Glock D22/108
D728,722 S * 5/2015 Peterson D22/108
D729,895 S * 5/2015 Porat D22/108
D732,629 S * 6/2015 Wolf D22/108
D742,985 S * 11/2015 Hudson, III D22/104
D744,049 S * 11/2015 Chu D21/574
D754,802 S * 4/2016 Martelli D21/574

D755,324 S * 5/2016 Martelli D22/104
D755,907 S * 5/2016 Hu D21/574
9,328,993 B1 * 5/2016 Heacock F41G 1/02
D758,519 S * 6/2016 Toner D22/108
2004/0200466 A1 * 10/2004 Salva F41B 11/56
124/74
2011/0120437 A1 * 5/2011 Tippmann, Jr. F41B 11/55
124/74
2012/0198744 A1 * 8/2012 Meller F41A 3/72
42/90
2012/0317856 A1 * 12/2012 Burke F41A 11/02
42/16
2013/0108991 A1 * 5/2013 Walls F41A 3/68
434/24
2014/0338522 A1 * 11/2014 Bellione F41A 3/12
89/139
2015/0121734 A1 * 5/2015 Kresser F41C 3/00
42/16
2015/0226508 A1 * 8/2015 Hughes F41A 33/02
434/21
2016/0047613 A1 * 2/2016 Hudson, III F41A 3/86
42/14

OTHER PUBLICATIONS

Agency Arms Slide Options, Youtube.com, Published Feb. 19, 2015, [online], [site visted Sep. 14, 2016]. <URL: <https://www.youtube.com/watch?v=dReYprHjg2s>>.*
Gun Review: Walther PPQ M2, The Truth About Guns.com, Joe Grine, Jul. 17, 2014, [online], [site visited Sep. 14, 2016]. <URL: <http://www.thetruthaboutguns.com/2014/07/joe-grine/walther-ppq-m2-5-inch-slide/>>.*

* cited by examiner

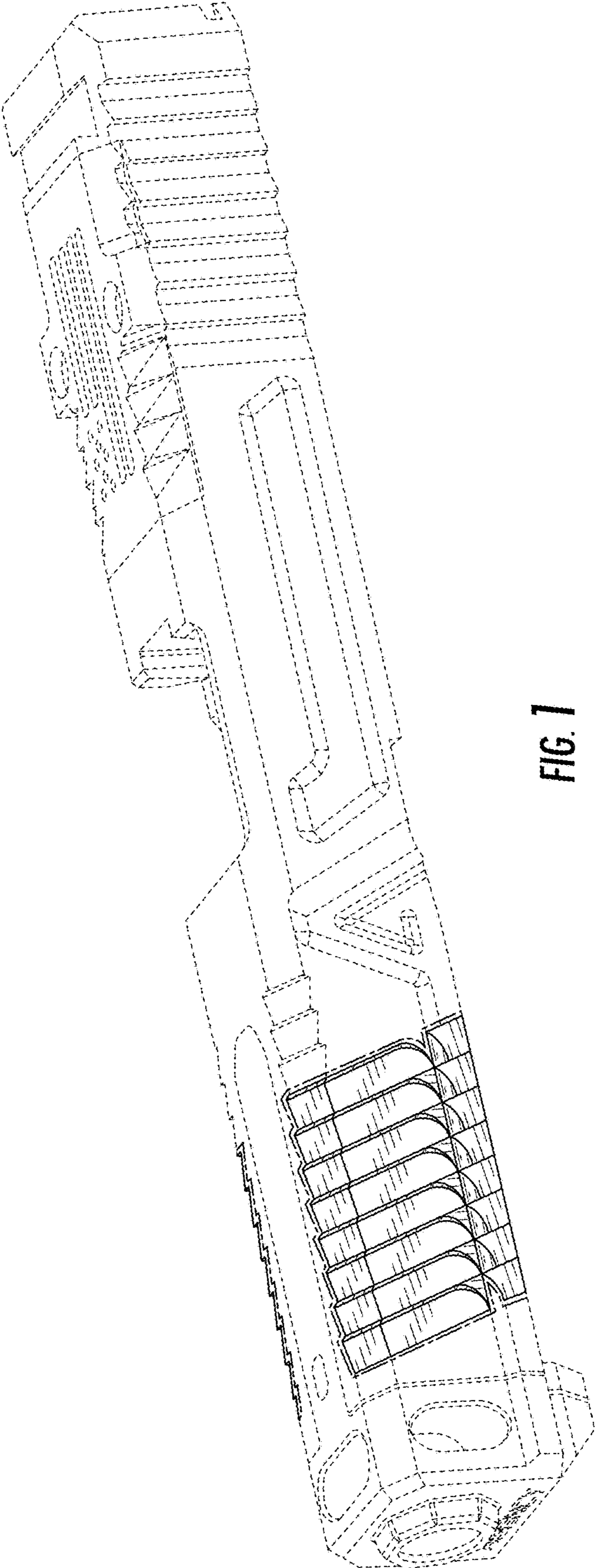


FIG. 1

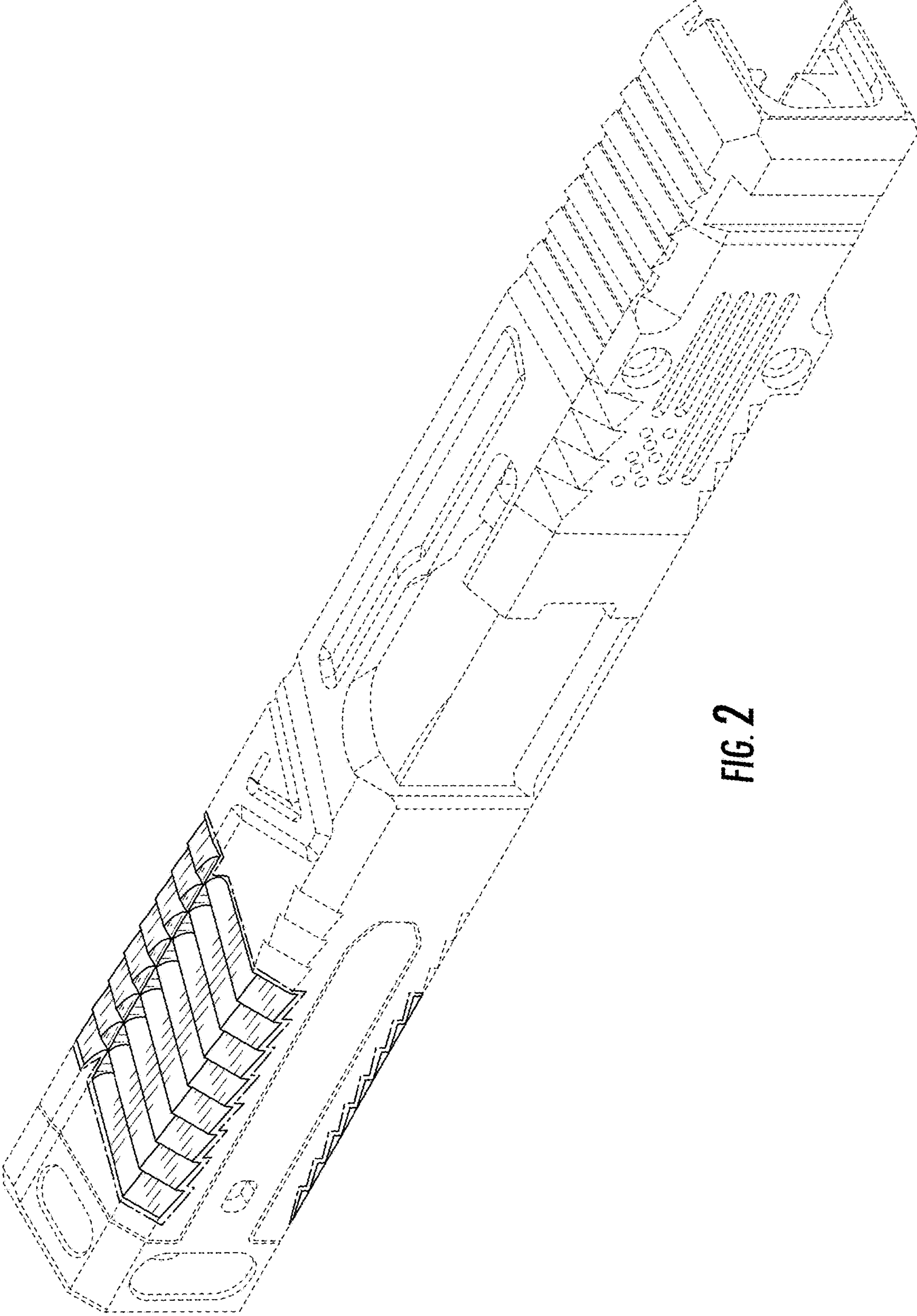


FIG. 2

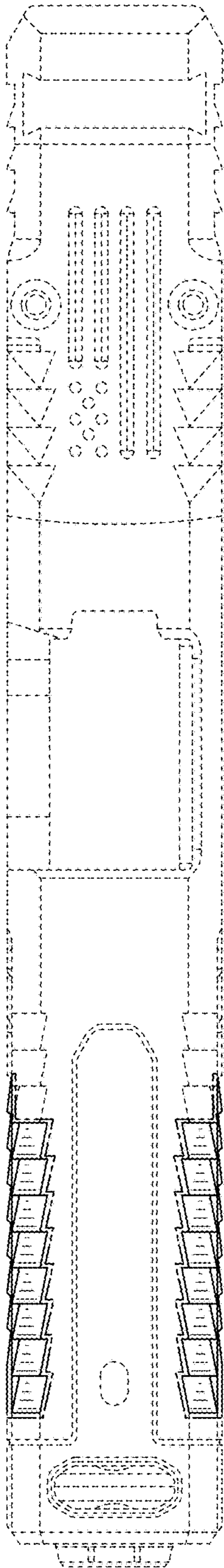


FIG. 3

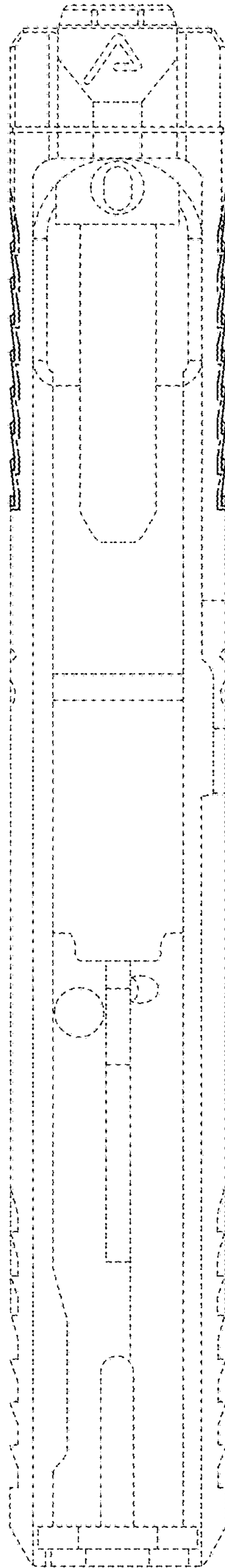


FIG. 4

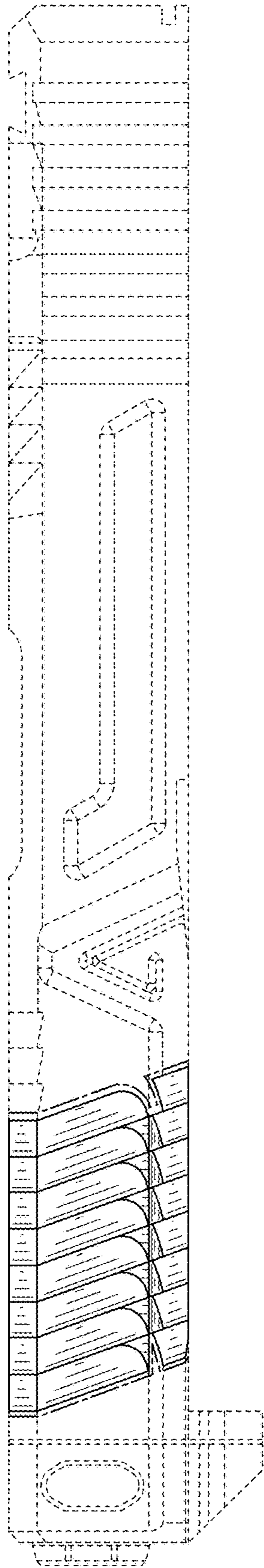


FIG. 5

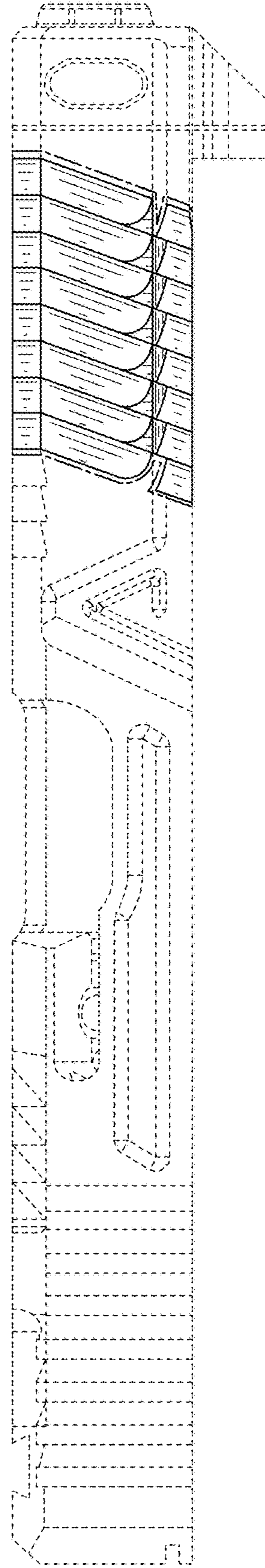


FIG. 6

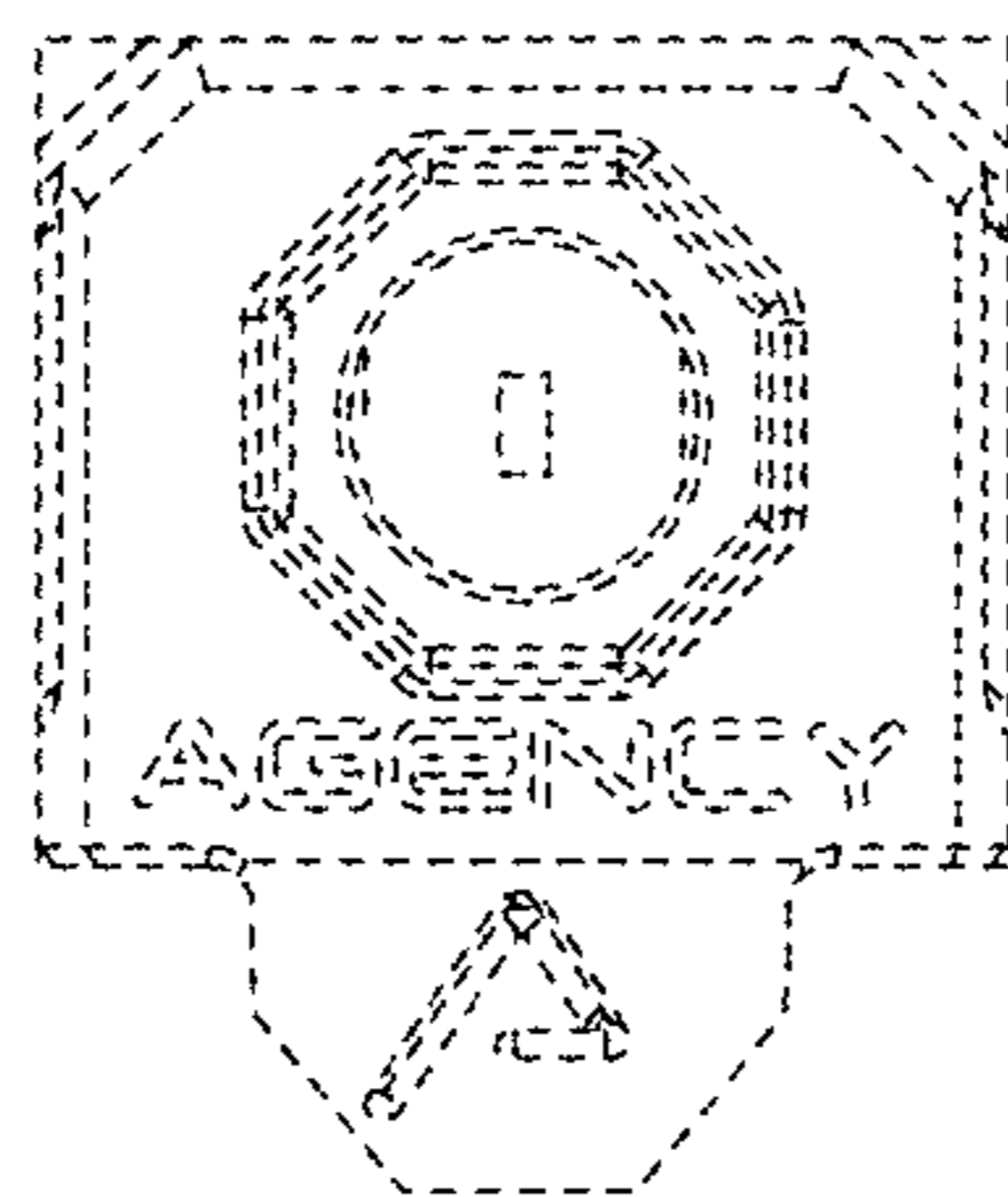


FIG. 7

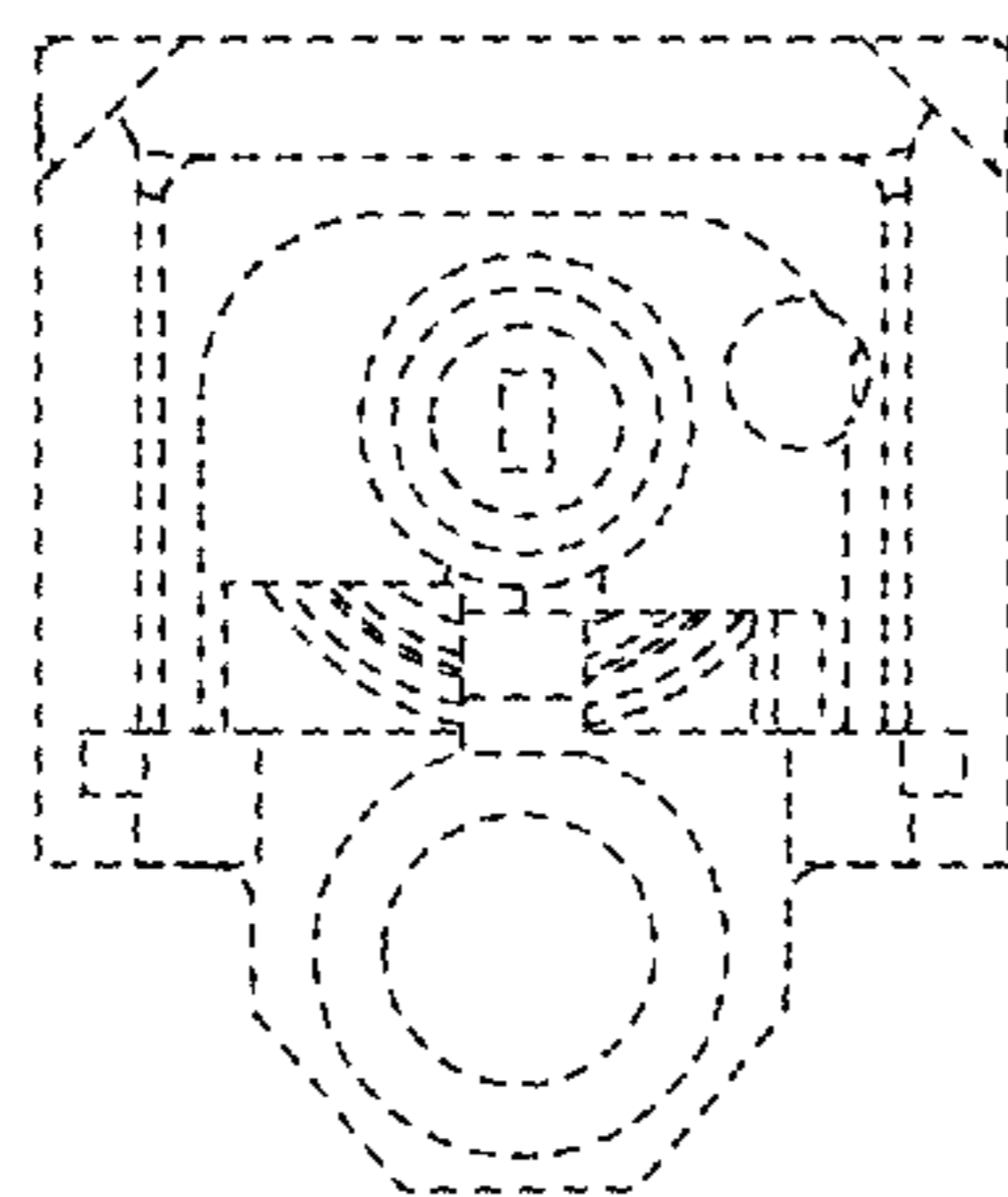


FIG. 8