



US00D784478S

(12) **United States Design Patent**
Therrell

(10) **Patent No.:** **US D784,478 S**

(45) **Date of Patent:** **** Apr. 18, 2017**

(54) **FIREARM BOLT RELEASE**

(71) Applicant: **Alexander Anderson Therrell**, Atlanta, GA (US)

(72) Inventor: **Alexander Anderson Therrell**, Atlanta, GA (US)

(**) Term: **15 Years**

(21) Appl. No.: **29/539,899**

(22) Filed: **Sep. 18, 2015**

(51) **LOC (10) Cl.** **22-01**

(52) **U.S. Cl.**
USPC **D22/108**

(58) **Field of Classification Search**

USPC D21/572, 573; D22/100, 101, 103, 104, D22/108, 109; 33/241, 277; 42/51, 42/71.01, 72, 75.01, 75.02, 90, 94, 111, 42/125, 134, 136, 139; 89/40.06, 41.19, 89/37.04, 191.01, 181, 200-204; 124/66, 124/67, 74; 313/105 R; 362/110

CPC F41C 7/00; F41C 23/00; F41G 1/00; F41G 1/32; F41G 1/38; F41G 5/00; F41B 11/00

See application file for complete search history.

(56) **References Cited**

U.S. PATENT DOCUMENTS

D621,467 S 8/2010 Montes
8,359,966 B1 1/2013 Brotherton
9,291,412 B1* 3/2016 Montes F41A 17/36

OTHER PUBLICATIONS

Primary Arms, Teal Blue Bravo PDQ Ambi-Bolt Release for Aero Precision Ambi Lowers, Publication date unknown, [Site visited Nov. 8, 2016], Available on the Internet URL:<<http://www.primaryarms.com/teal-blue-bravo-pdq-ambi-bolt-release-for-aero-precision-ambi-lowers-aprh100012>>.*

* cited by examiner

Primary Examiner — Susan Bennett Hattan

Assistant Examiner — S. Bryan Reinholdt, Jr.

(74) *Attorney, Agent, or Firm* — Walter A. Rodgers

(57) **CLAIM**

The ornamental design for a firearm bolt release, as shown and described.

DESCRIPTION

FIG. 1 is a perspective view of a firearm bolt release showing my new design;

FIG. 2 is a front elevational view thereof;

FIG. 3 is a rear elevational view thereof;

FIG. 4 is a top plan view thereof;

FIG. 5 is a bottom plan view thereof;

FIG. 6 is a right-side elevational view thereof; and,

FIG. 7 is a left-side elevational view thereof.

1 Claim, 6 Drawing Sheets

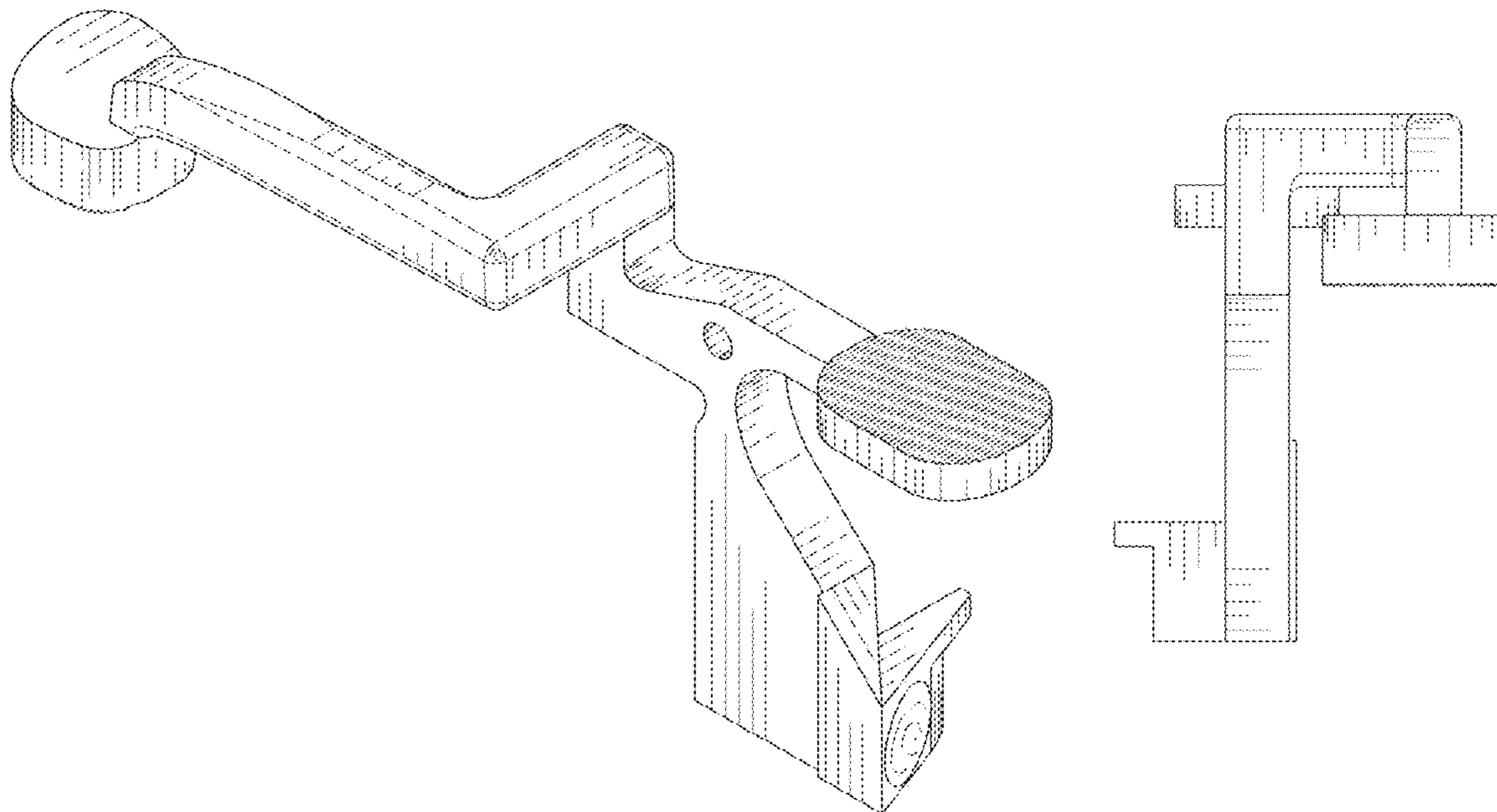


Fig 1

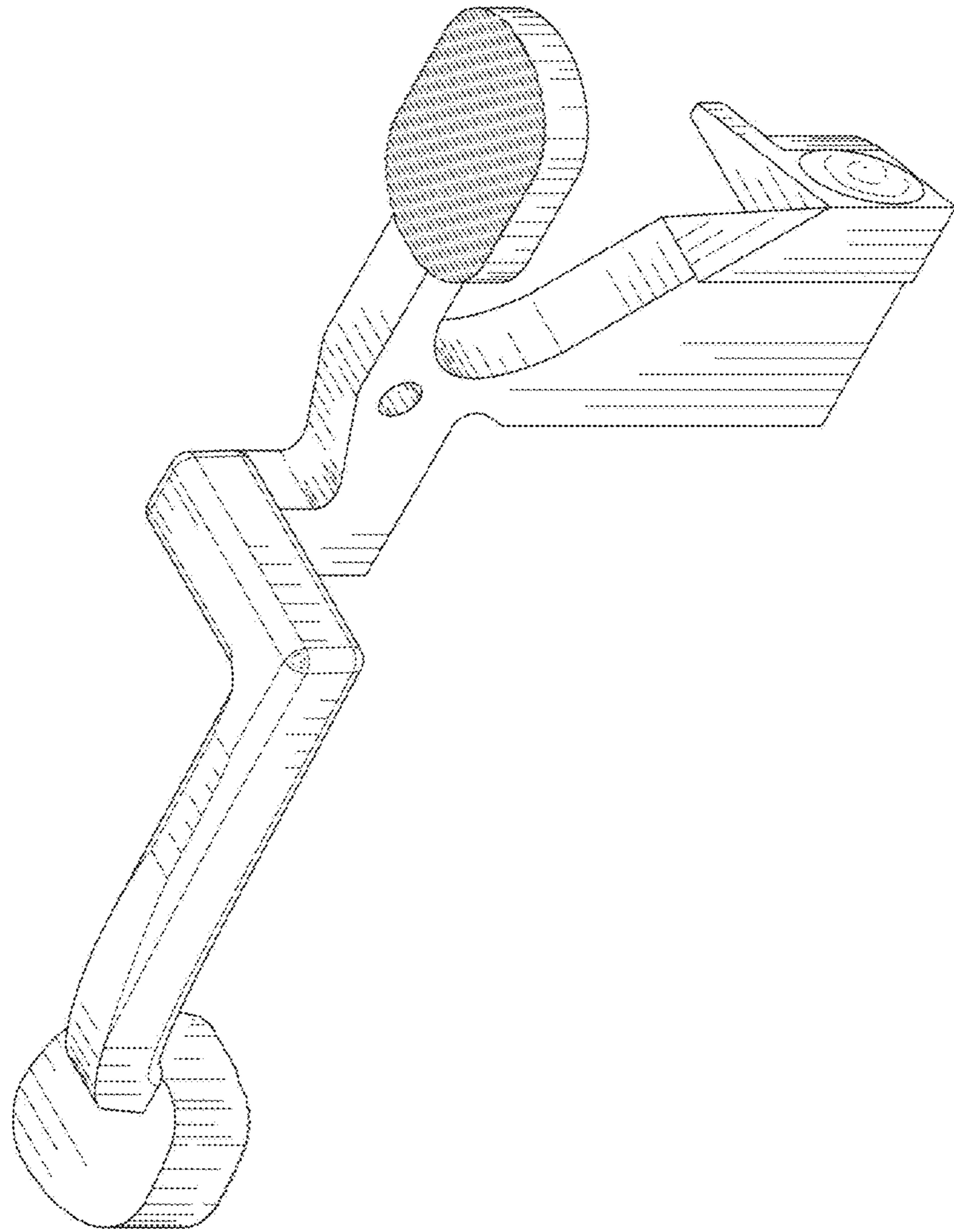


Fig 2

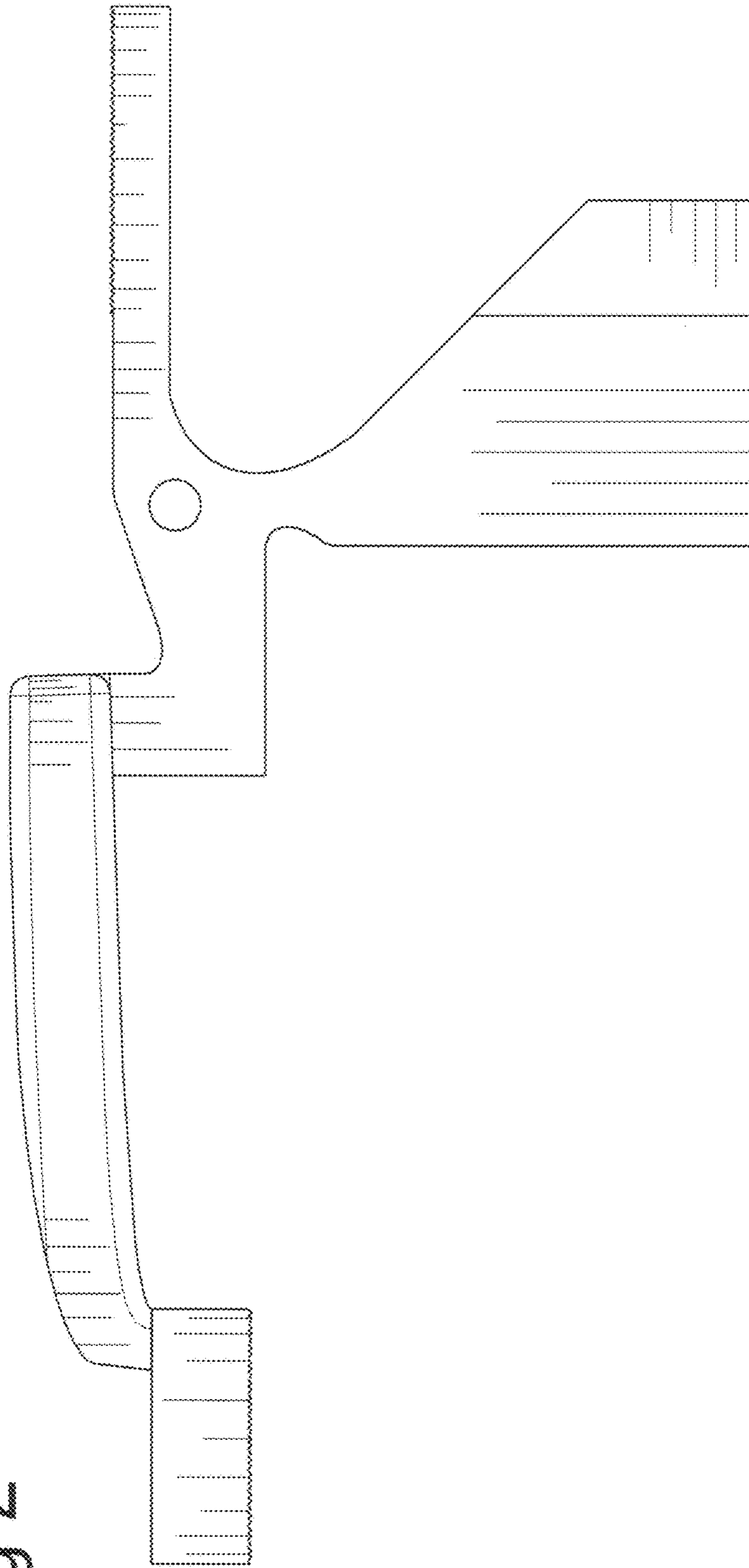
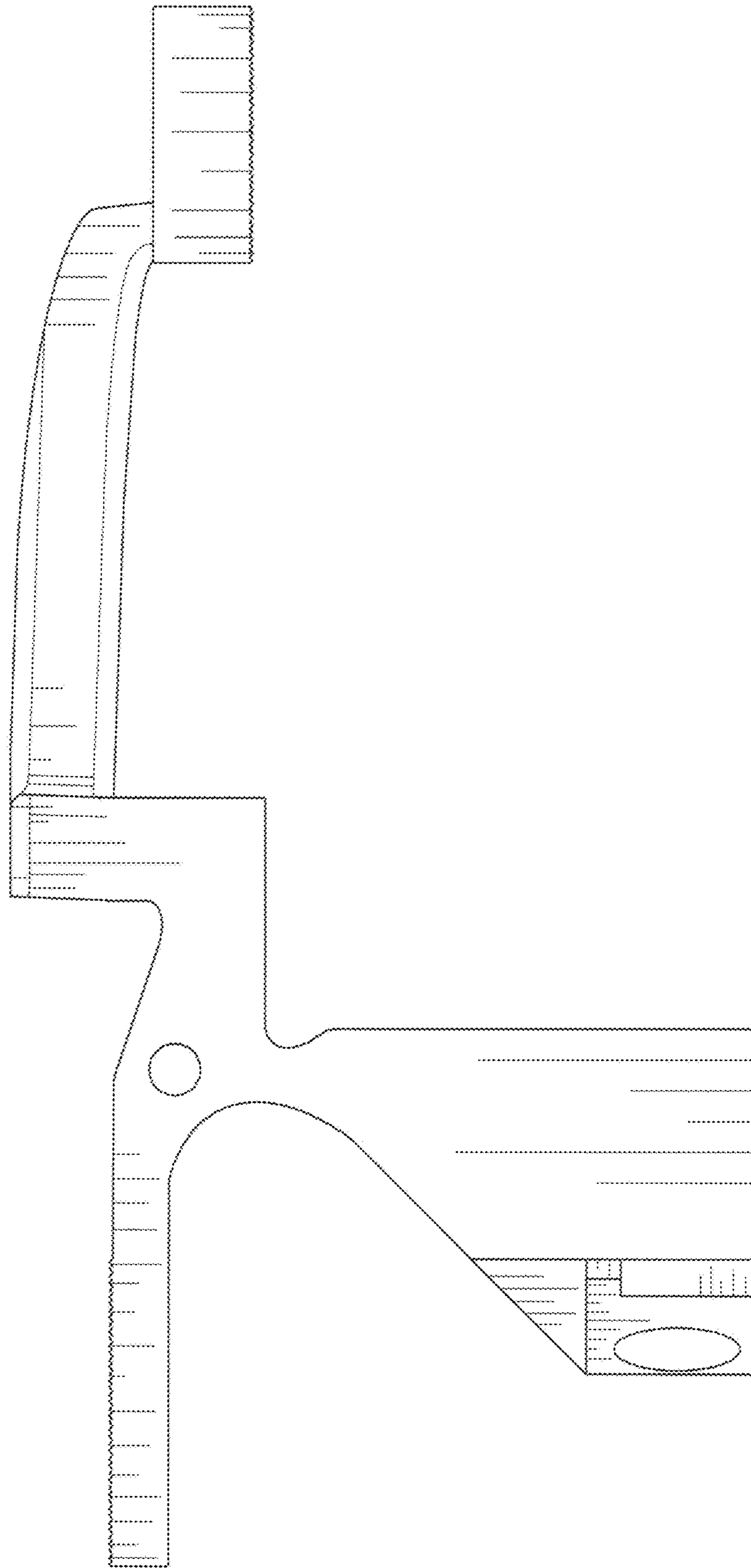


Fig 3



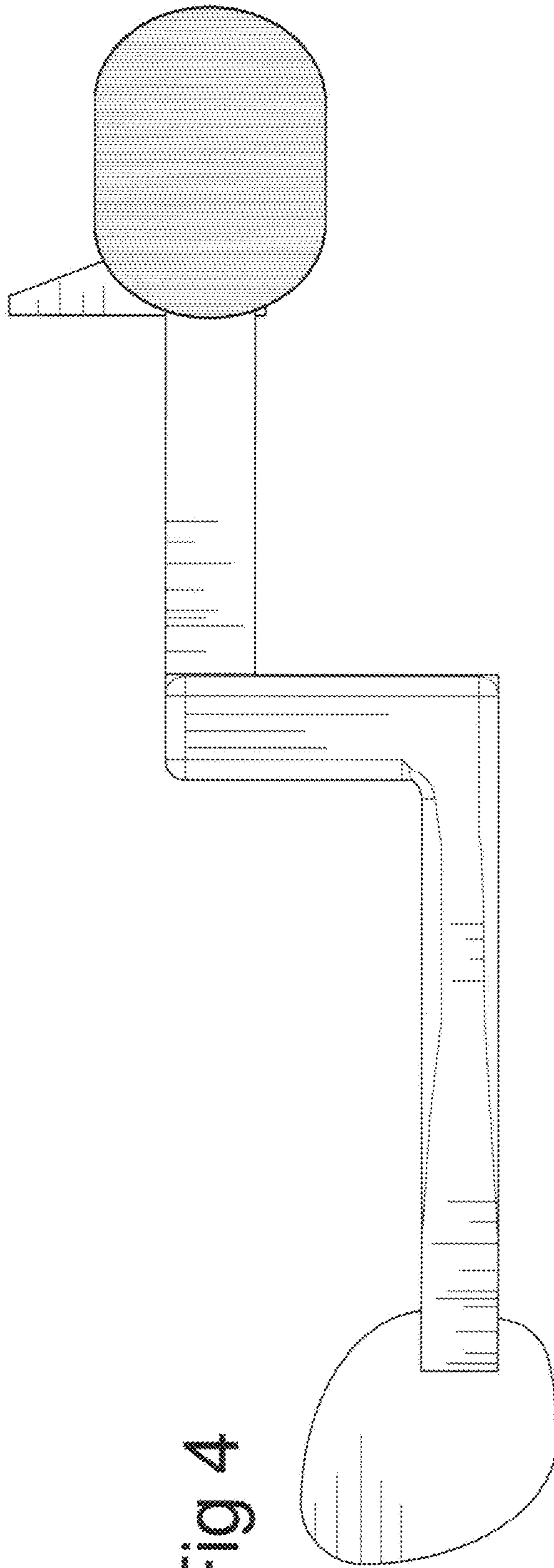


Fig 4

Fig 5

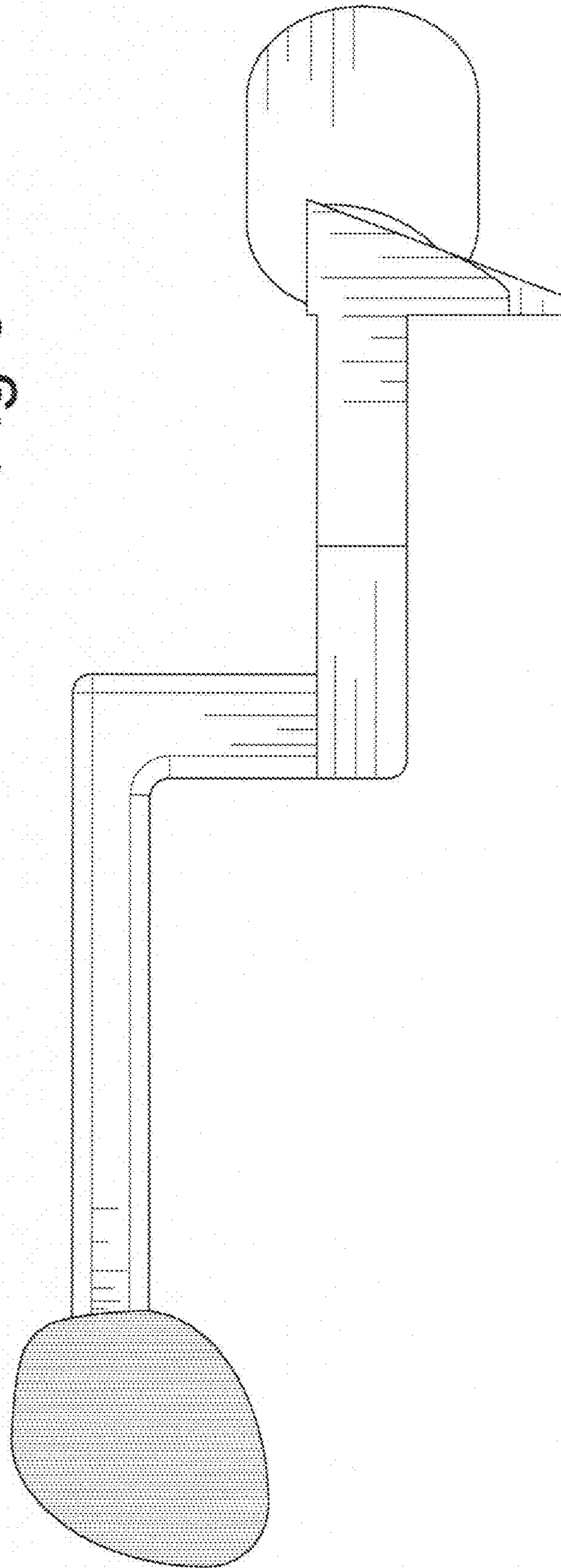


Fig 7

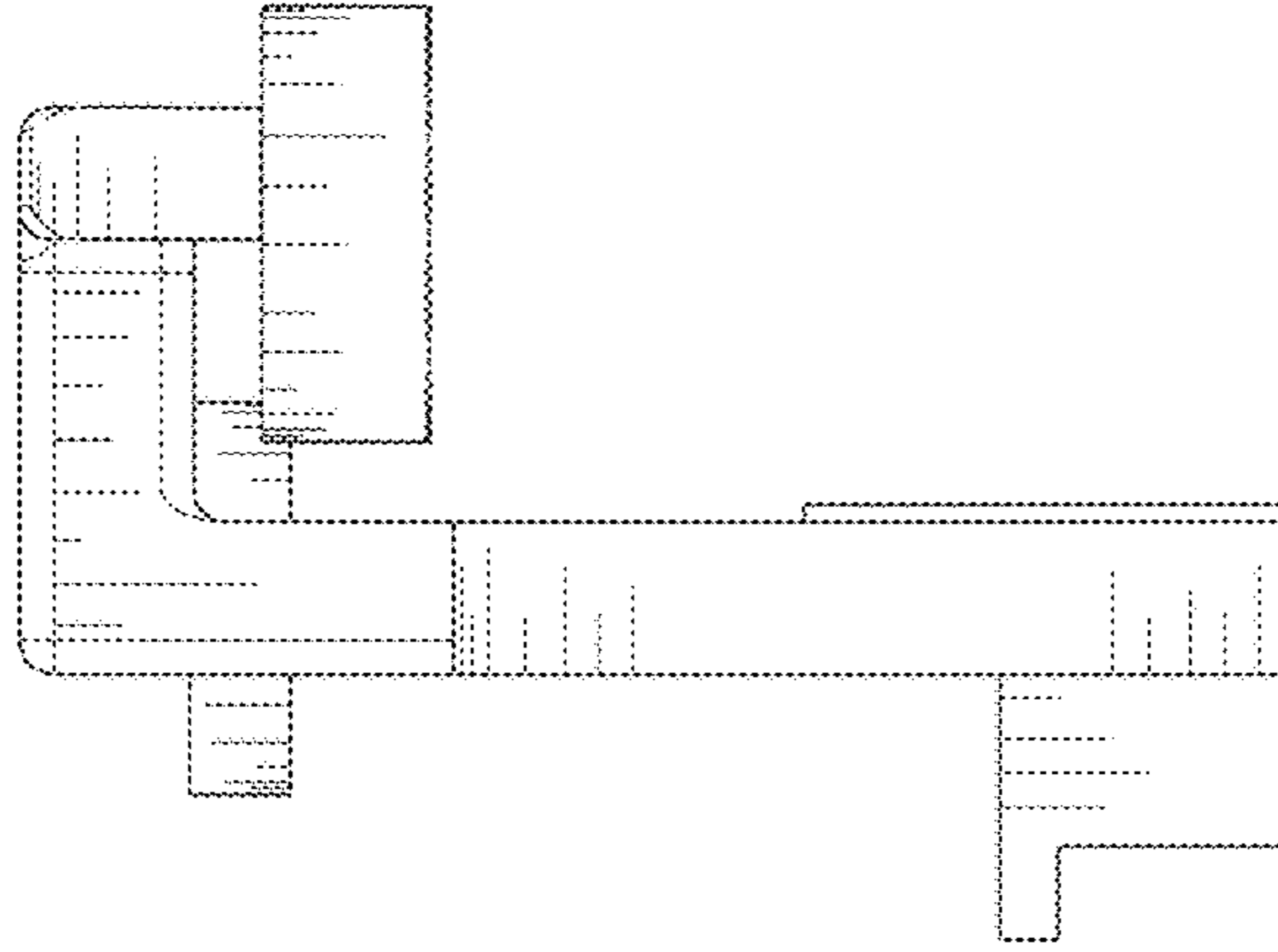


Fig 6

