



US00D784476S

(12) **United States Design Patent**  
**Cetera et al.**

(10) **Patent No.:** **US D784,476 S**  
(45) **Date of Patent:** **\*\* Apr. 18, 2017**

(54) **FLOTATION DEVICE**

(71) Applicants: **Carl Cetera**, Westfield, NJ (US);  
**Christon G. Suess**, Bergenfield, NJ (US)

(72) Inventors: **Carl Cetera**, Westfield, NJ (US);  
**Christon G. Suess**, Bergenfield, NJ (US)

(73) Assignee: **Floatback, LLC**, Westfield, NJ (US)

(\*\*) Term: **15 Years**

(21) Appl. No.: **29/550,590**

(22) Filed: **Jan. 5, 2016**

(51) **LOC (10) Cl.** ..... **21-02**

(52) **U.S. Cl.**  
USPC ..... **D21/804; D21/803**

(58) **Field of Classification Search**  
USPC ..... D21/801, 803, 804, 805, 808, 809;  
114/253, 345-346; 441/35, 66, 74,  
441/40-42, 129-132; 472/128-129;  
D12/5, 6, 316; D6/392, 595, 596, 601,  
D6/604, 605  
CPC ..... B63B 35/76; A63B 2208/12; A63B 69/14  
See application file for complete search history.

(56) **References Cited**

**U.S. PATENT DOCUMENTS**

D322,302 S \* 12/1991 Yu ..... D21/804  
D355,467 S \* 2/1995 Wolfe ..... D21/805

D357,722 S \* 4/1995 Fireman ..... D21/804  
D396,076 S \* 7/1998 Muasher ..... D21/662  
D400,947 S \* 11/1998 Vujaklya ..... D21/804  
D410,132 S \* 5/1999 Hottenroth ..... D21/805  
D485,724 S \* 1/2004 Morikawa ..... D6/601  
D523,679 S \* 6/2006 Illingworth ..... D6/601

\* cited by examiner

*Primary Examiner* — Zenia Bennett

(74) *Attorney, Agent, or Firm* — Steven E. Shapiro

(57) **CLAIM**

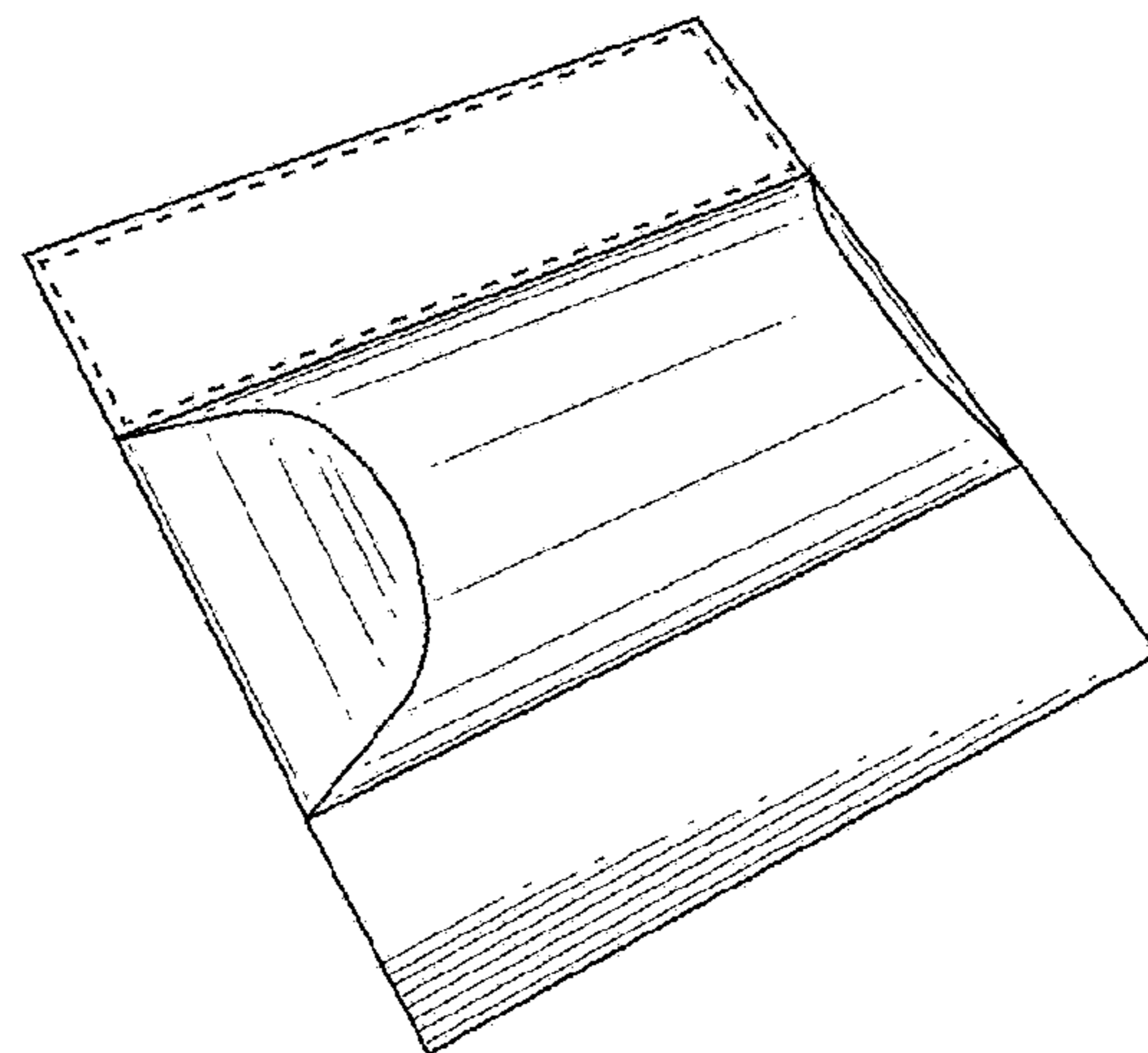
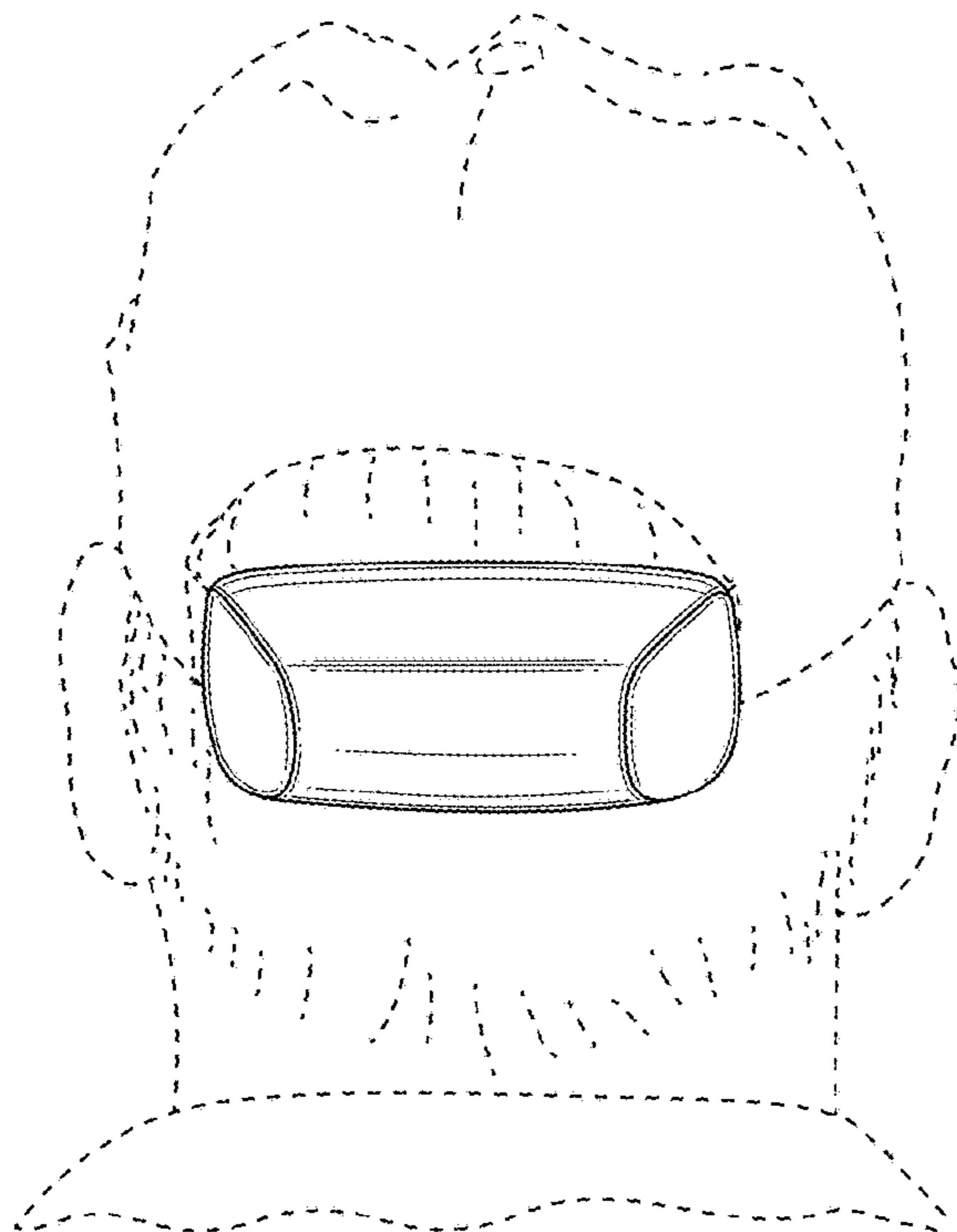
The ornamental design for a flotation device, as shown and described.

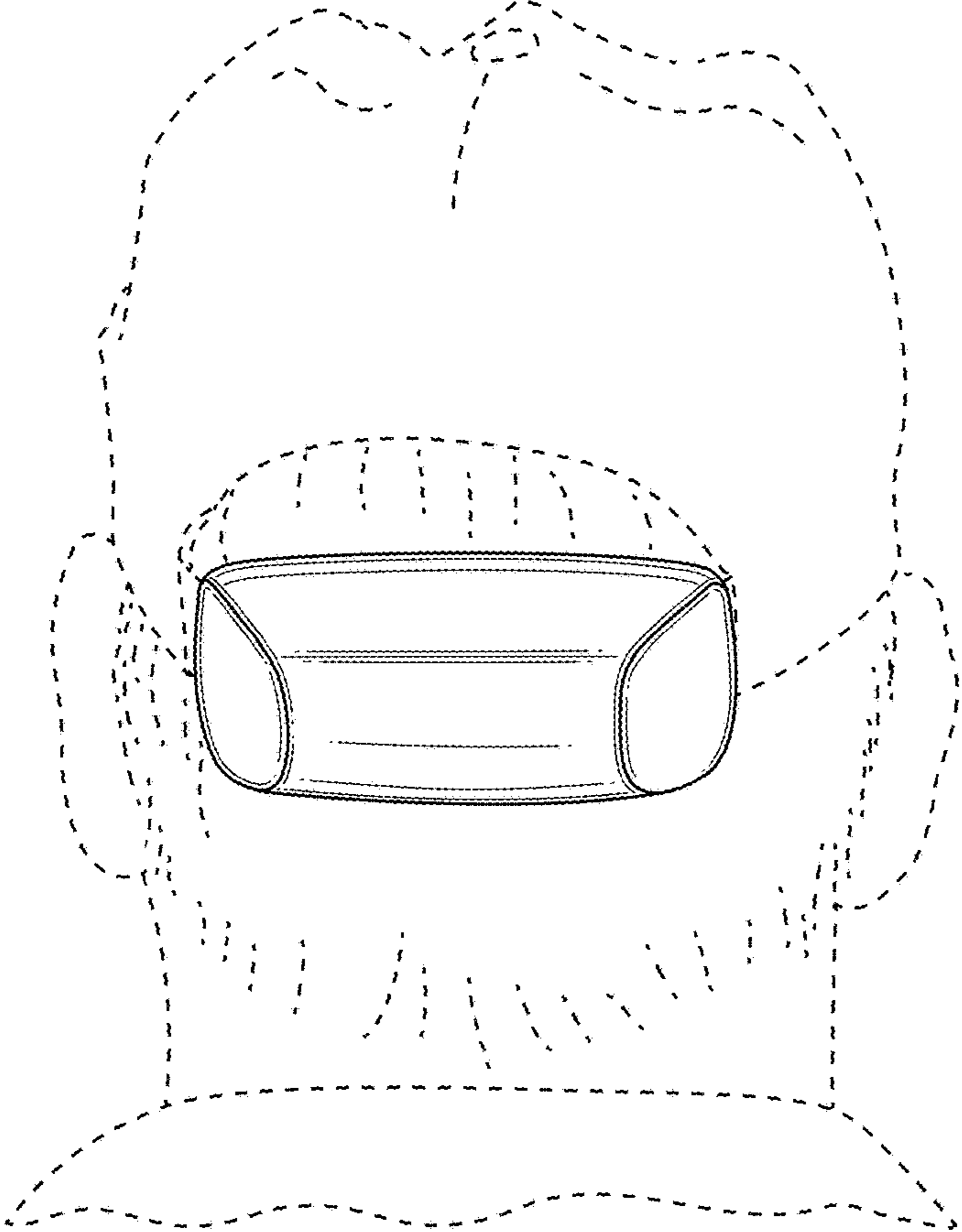
**DESCRIPTION**

FIG. 1 is a perspective view of a flotation device closed around the back of a hat;  
FIG. 2 is a perspective view of the flotation device;  
FIG. 3 is a top view of the flotation device;  
FIG. 4 is a bottom view of the flotation device;  
FIG. 5 is a front view of the flotation device;  
FIG. 6 is a rear view of the flotation device;  
FIG. 7 is a right side view of the flotation device; and,  
FIG. 8 is a left side view of the flotation device.

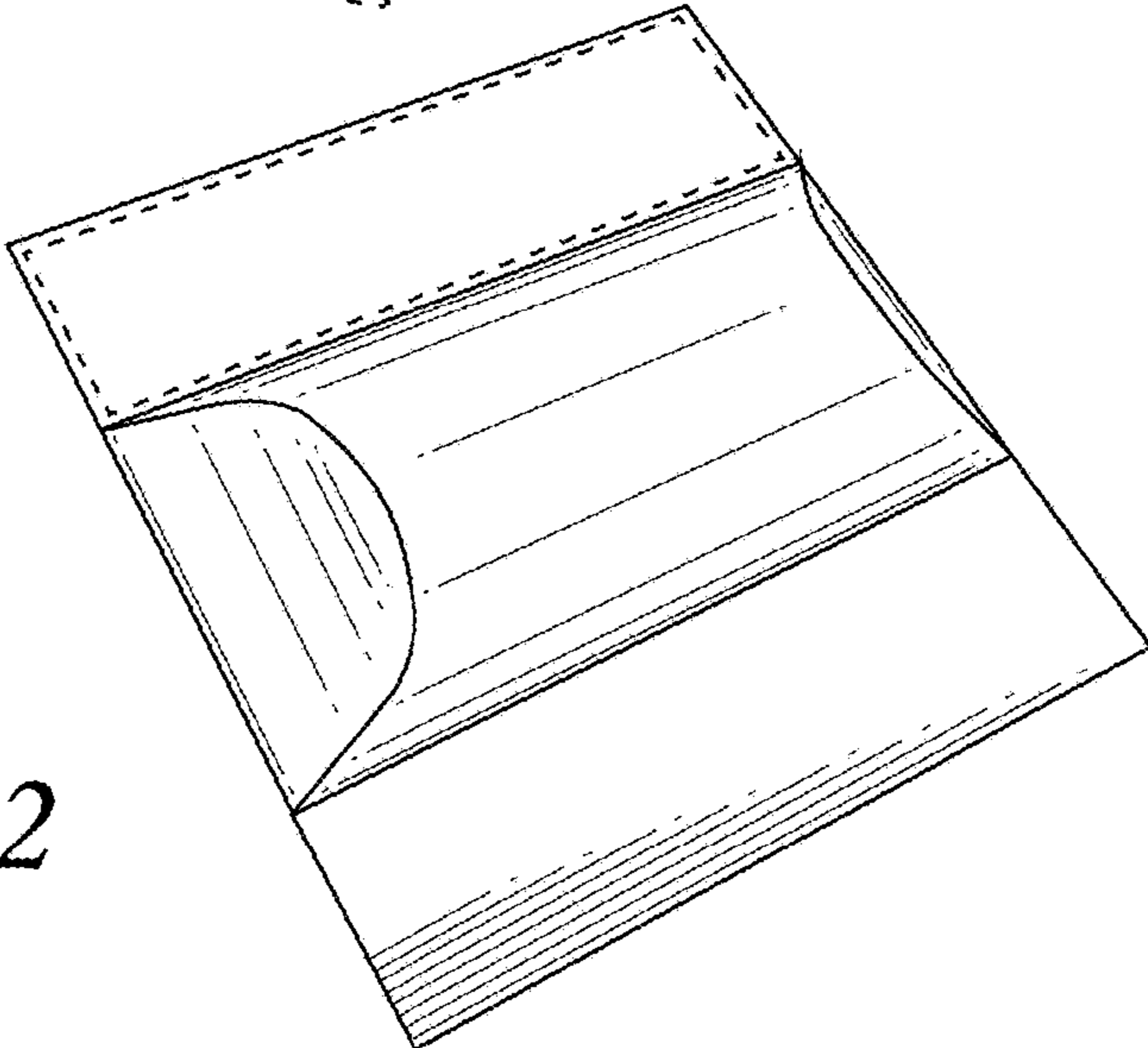
The broken lines shown in FIGS. 2 to 4 represent portions of the flotation device that form no part of the claimed design. The broken lines shown in FIG. 1 merely illustrate an environment in which the flotation device can be used and form no part of the claimed design.

**1 Claim, 3 Drawing Sheets**

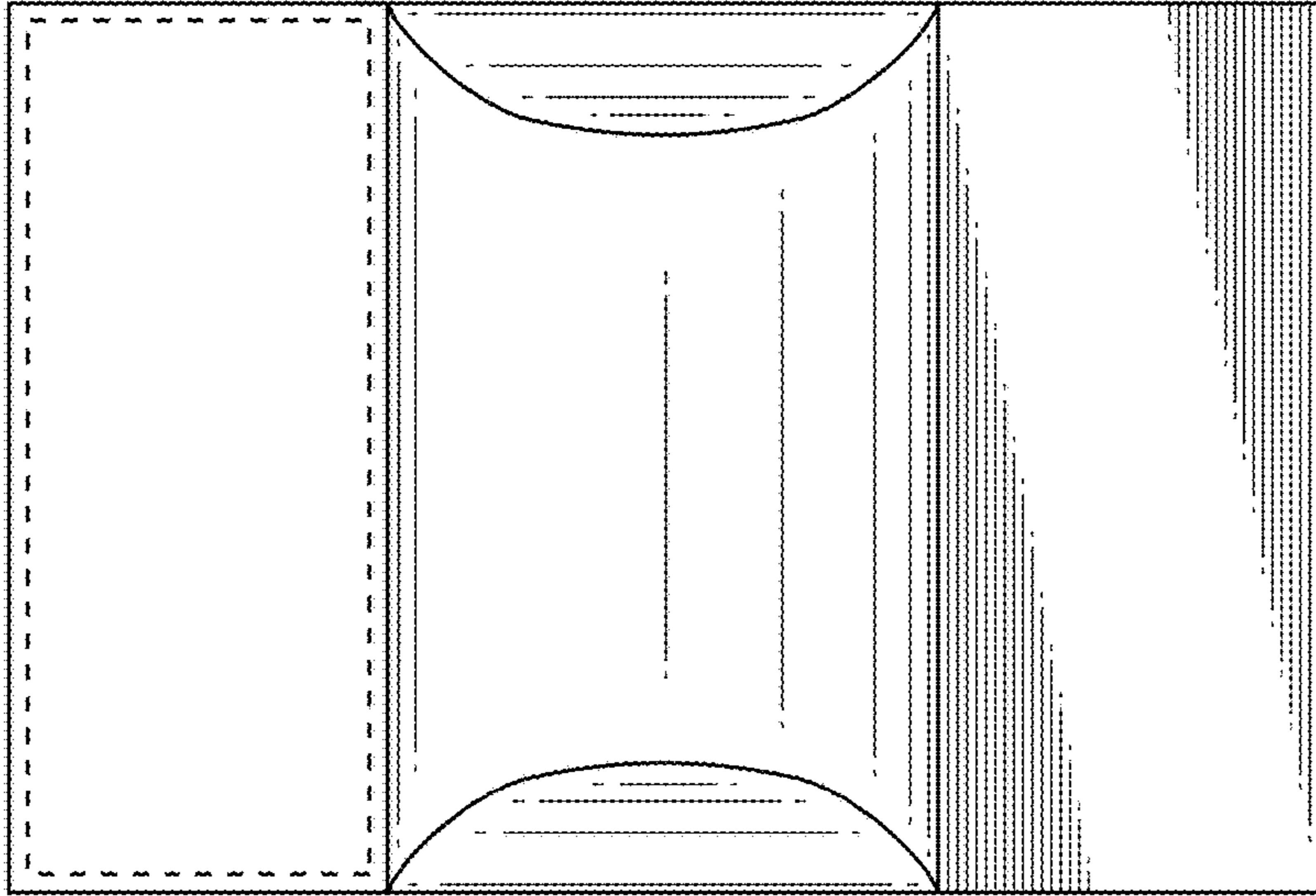




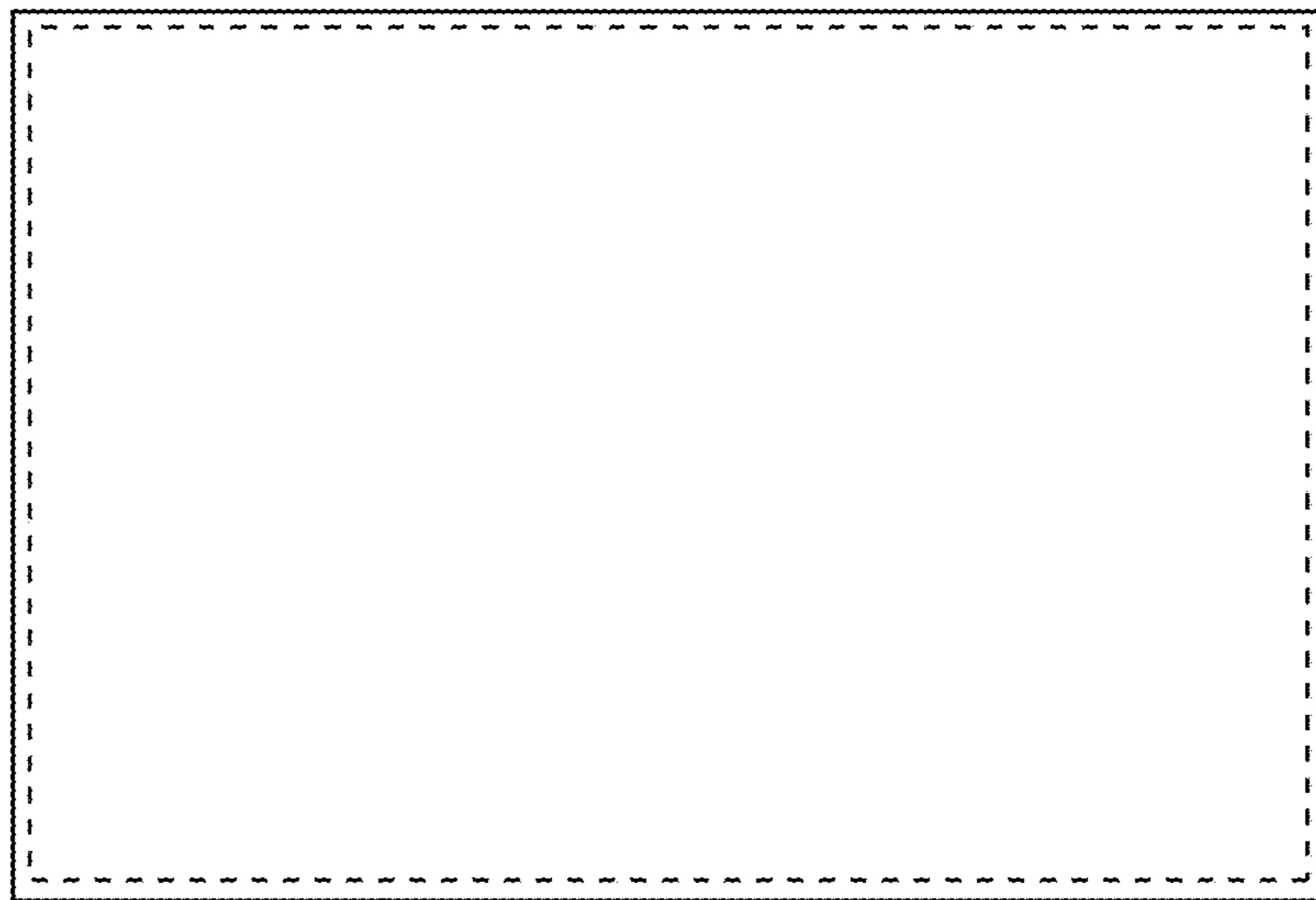
*Fig. 1*



*Fig. 2*

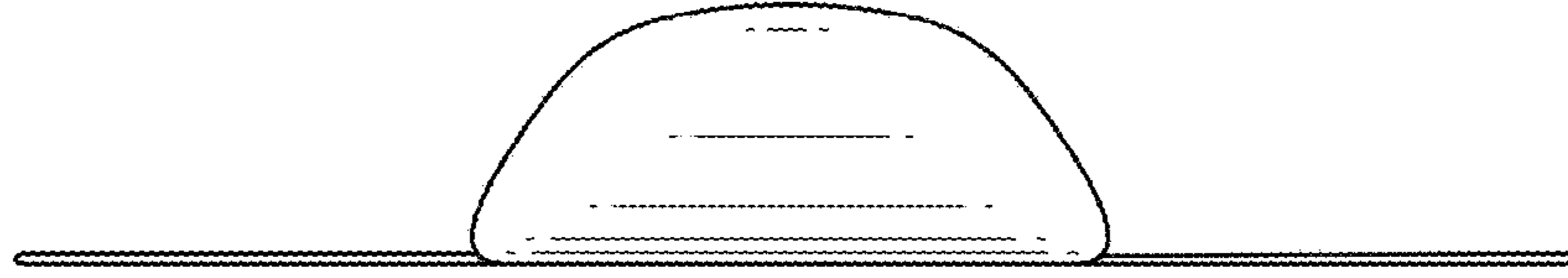


*Fig. 3*

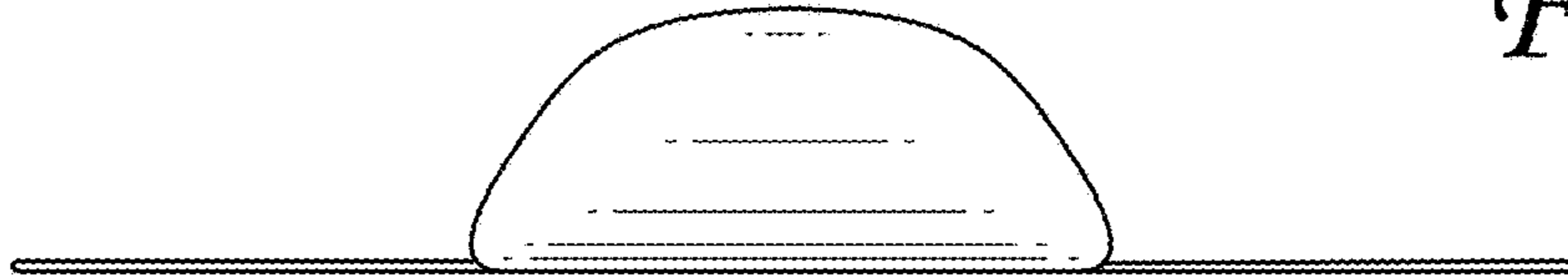


*Fig. 4*

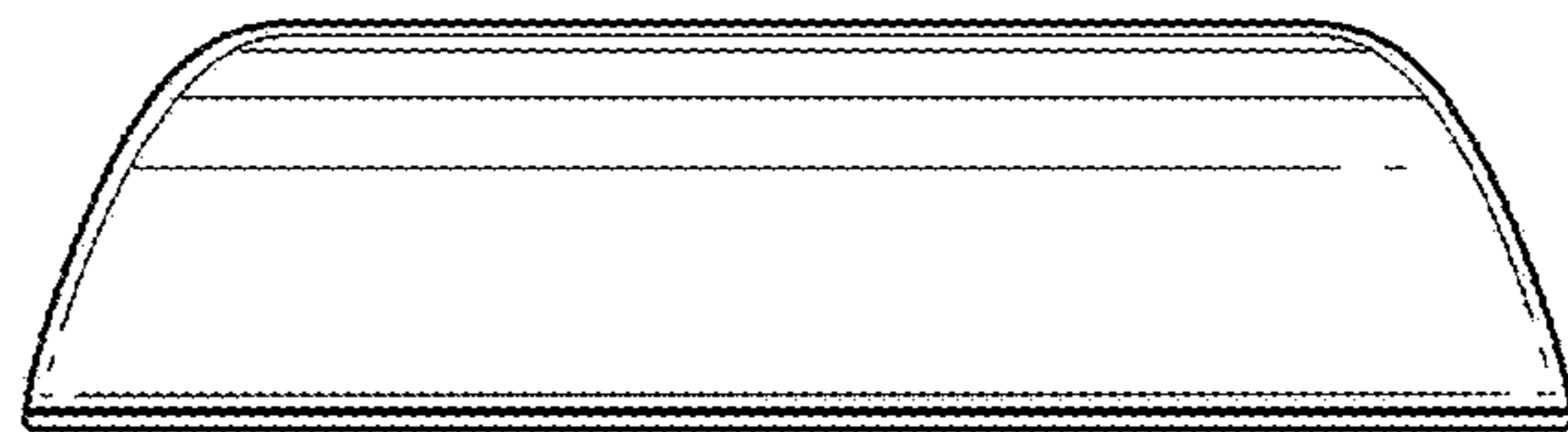
*Fig. 5*



*Fig. 6*



*Fig. 7*



*Fig. 8*

