



US00D784475S

(12) **United States Design Patent** (10) **Patent No.:** **US D784,475 S**  
**Drozdowski et al.** (45) **Date of Patent:** **\*\* Apr. 18, 2017**

(54) **SWIMMER STARTING PLATFORM**

- (71) Applicant: **Pentair Water Pool and Spa, Inc.**,  
Sanford, NC (US)
- (72) Inventors: **Jim Drozdowski**, Clinton Corners, NY  
(US); **Jonathan Mapes**, Highland  
Mills, NY (US); **Chris Jung**, Brewster,  
NY (US); **Jerry Amato**, LaGrangeville,  
NY (US)
- (73) Assignee: **Pentair Water Pool and Spa, Inc.**,  
Cary, NC (US)
- (\*\*) Term: **15 Years**
- (21) Appl. No.: **29/542,674**
- (22) Filed: **Oct. 16, 2015**

**Related U.S. Application Data**

- (62) Division of application No. 29/478,808, filed on Jan.  
8, 2014, now Pat. No. Des. 742,984.
- (51) **LOC (10) Cl.** ..... **21-06**
- (52) **U.S. Cl.**  
USPC ..... **D21/802**
- (58) **Field of Classification Search**  
USPC ..... D21/801, 802, 769, 770; 434/254;  
472/85; D6/484, 480, 481, 511  
(Continued)

(56) **References Cited**

**U.S. PATENT DOCUMENTS**

- D202,546 S 10/1965 French
  - 3,401,931 A 9/1968 McCafferty et al.
- (Continued)

**FOREIGN PATENT DOCUMENTS**

- WO 03092819 A2 11/2003

**OTHER PUBLICATIONS**

Swiss Timing Ltd. Brochure for OSB11 Swimming Starting Block,  
2 pages.

(Continued)

*Primary Examiner* — Zenia Bennett

(74) *Attorney, Agent, or Firm* — Quarles & Brady LLP

(57) **CLAIM**

The ornamental design for a swimmer starting platform, as  
shown and described.

**DESCRIPTION**

FIG. 1 is an isometric view of a front, top, and left side of  
an ornamental design for a swimmer starting platform;  
FIG. 2 is a front elevational view of the swimmer starting  
platform of FIG. 1;  
FIG. 3 is a left side elevational view of the swimmer starting  
platform of FIG. 1;  
FIG. 4 is a rear elevational view of the swimmer starting  
platform of FIG. 1;  
FIG. 5 is a right side elevational view of the swimmer  
starting platform of FIG. 1;  
FIG. 6 is a top plan view of the swimmer starting platform  
of FIG. 1;  
FIG. 7 is a bottom plan view of the swimmer starting  
platform of FIG. 1;  
FIG. 8 is an isometric view of a rear, bottom, and left side  
of the swimmer starting platform of FIG. 1;  
FIG. 9 is an isometric view of a front, top, and left side of  
another embodiment of an ornamental design for a swimmer  
starting platform;  
FIG. 10 is a front elevational view of the swimmer starting  
platform of FIG. 9;  
FIG. 11 is a left side elevational view of the swimmer  
starting platform of FIG. 9;  
FIG. 12 is a rear elevational view of the swimmer starting  
platform of FIG. 9;  
FIG. 13 is a right side elevational view of the swimmer  
starting platform of FIG. 9;  
FIG. 14 is a top plan view of the swimmer starting platform  
of FIG. 9;

(Continued)

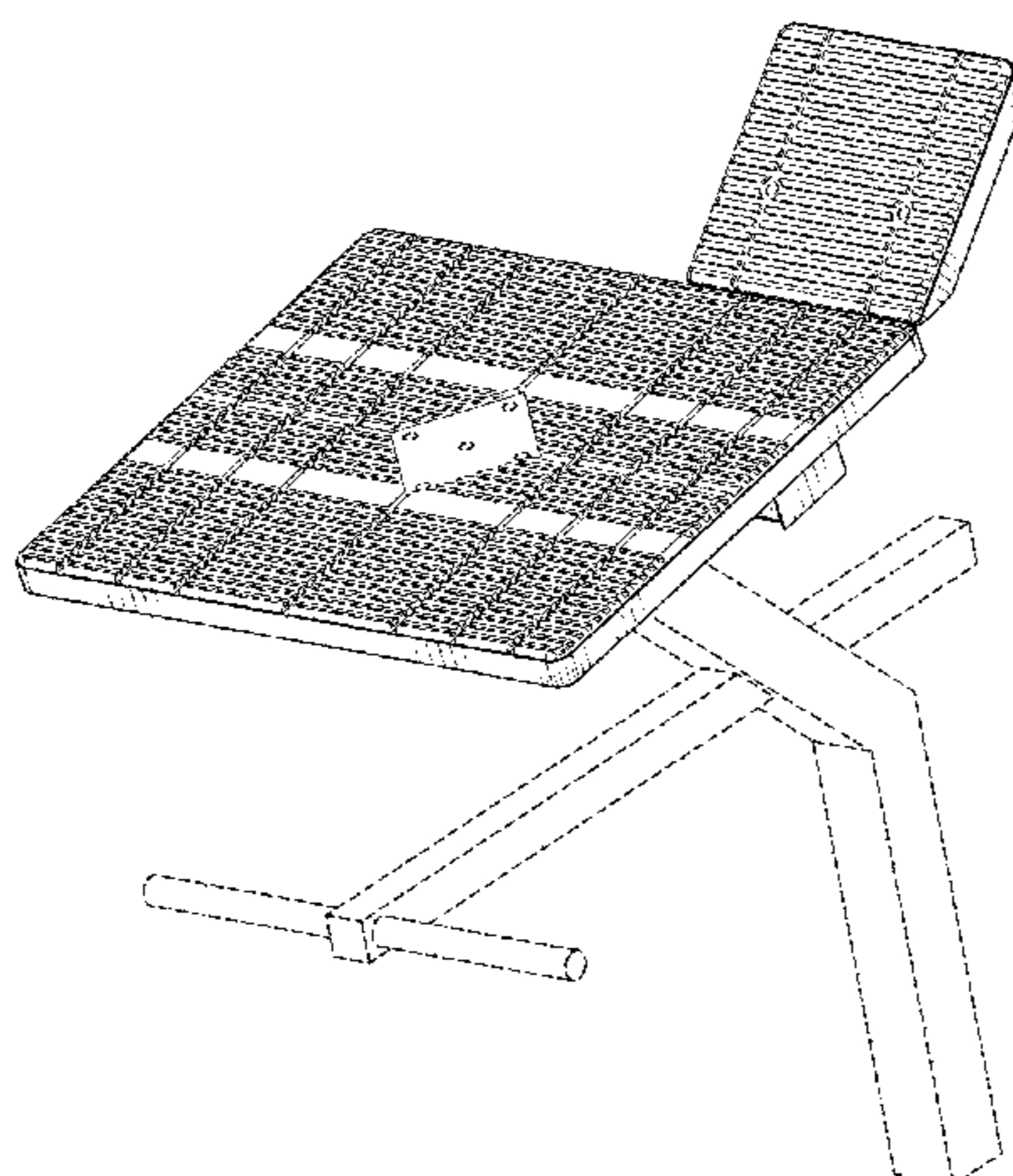


FIG. 15 is a bottom plan view of the swimmer starting platform of FIG. 9; and,  
 FIG. 16 is an isometric view of a rear, bottom, and left side of the swimmer starting platform of FIG. 9.  
 The broken lines are included for the purpose of illustrating environmental structure and form no part of the claimed design.

**1 Claim, 16 Drawing Sheets**

(58) **Field of Classification Search**

CPC ..... A63B 5/10  
 See application file for complete search history.

(56) **References Cited**

U.S. PATENT DOCUMENTS

3,799,542 A 3/1974 Potgieter  
 3,809,392 A 5/1974 Kral, Jr.  
 3,916,214 A 10/1975 Coble, Jr. et al.  
 D240,811 S \* 8/1976 Beall, Jr. .... D21/802

4,475,016 A \* 10/1984 Berger ..... H01H 3/141  
 200/52 R  
 4,754,965 A 7/1988 Moye  
 4,780,085 A 10/1988 Malone  
 4,913,420 A 4/1990 Moye  
 5,033,738 A 7/1991 Newton, Jr.  
 5,465,964 A 11/1995 Thompson  
 5,916,031 A 6/1999 Casillan  
 6,247,935 B1 6/2001 Martin et al.  
 D464,701 S 10/2002 Kiefer et al.  
 6,494,812 B1 12/2002 Grimes, Jr.  
 6,523,188 B1 2/2003 Kiefer et al.  
 D471,945 S 3/2003 Ryerson et al.  
 6,532,606 B1 3/2003 Skovronski  
 D509,277 S 9/2005 Morral Gispert  
 7,058,994 B2 \* 6/2006 Weimer ..... A63B 5/10  
 4/496  
 2005/0227813 A1 10/2005 Curry

OTHER PUBLICATIONS

Spectrum Products Engineering Data for Startline Model—Omega SP., 1 page.  
 Spectrum Products Engineering Data for Startline Model—Fusion by Spectrum., 1 page.

\* cited by examiner

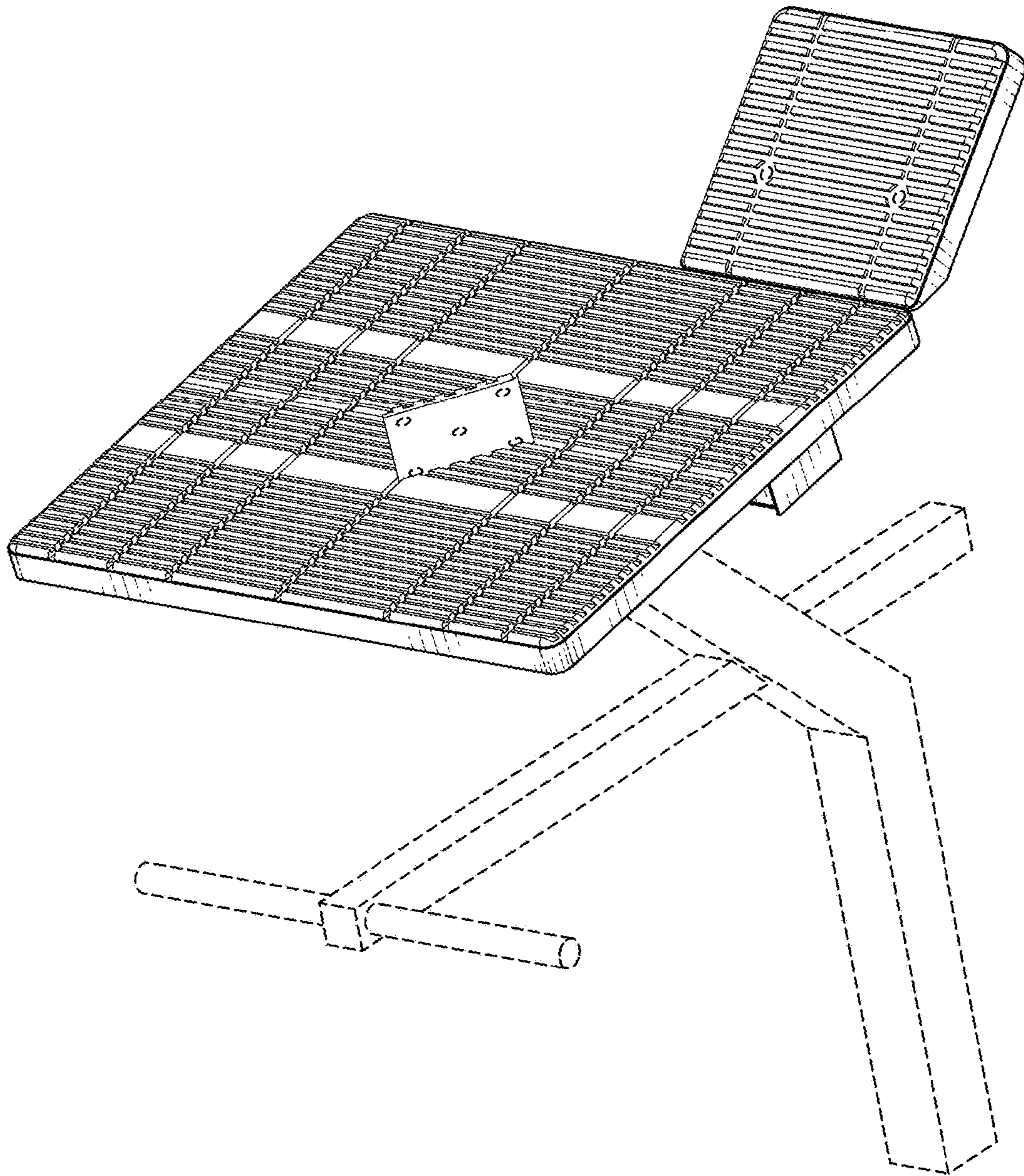


FIG. 1

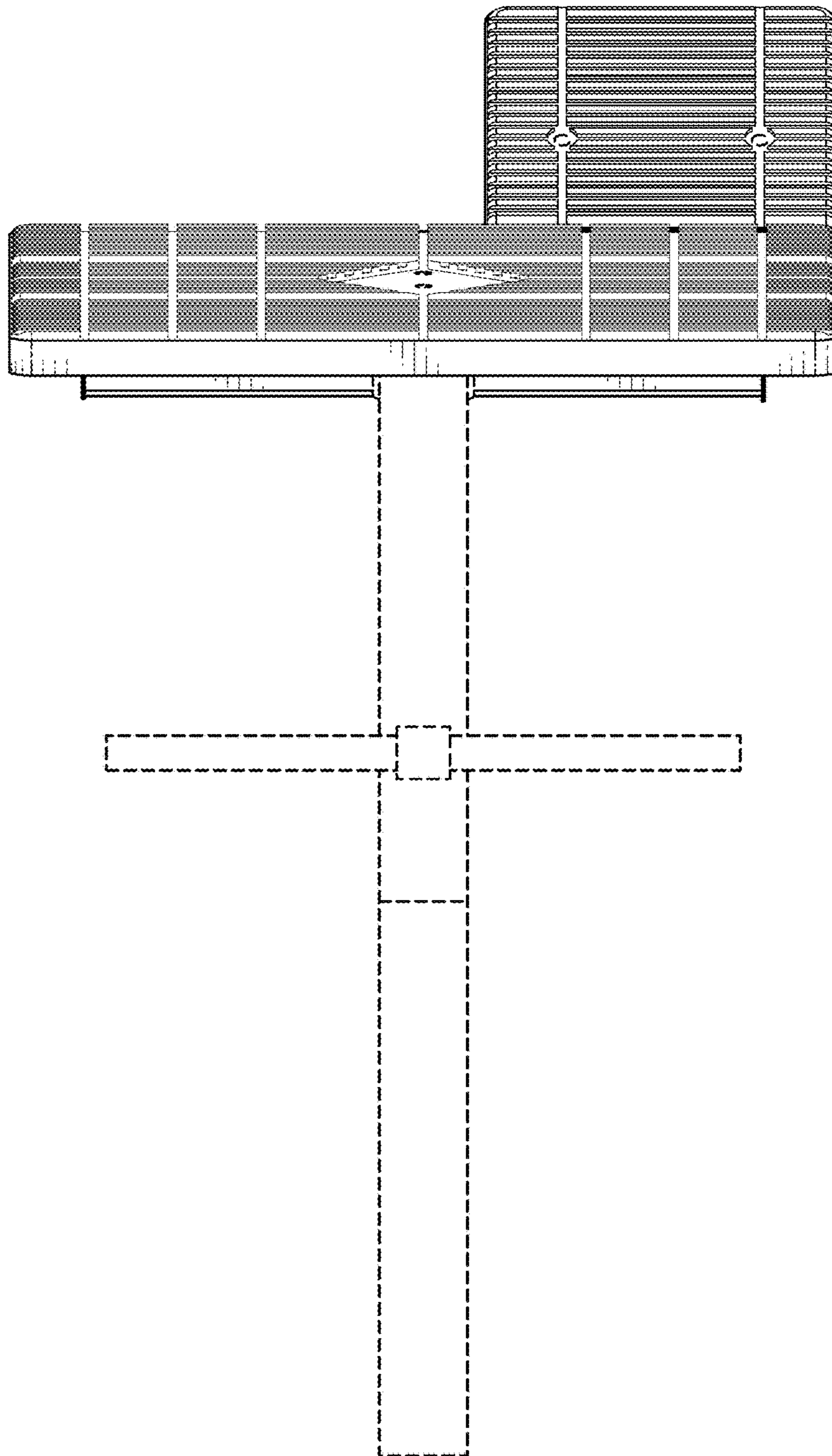


FIG. 2

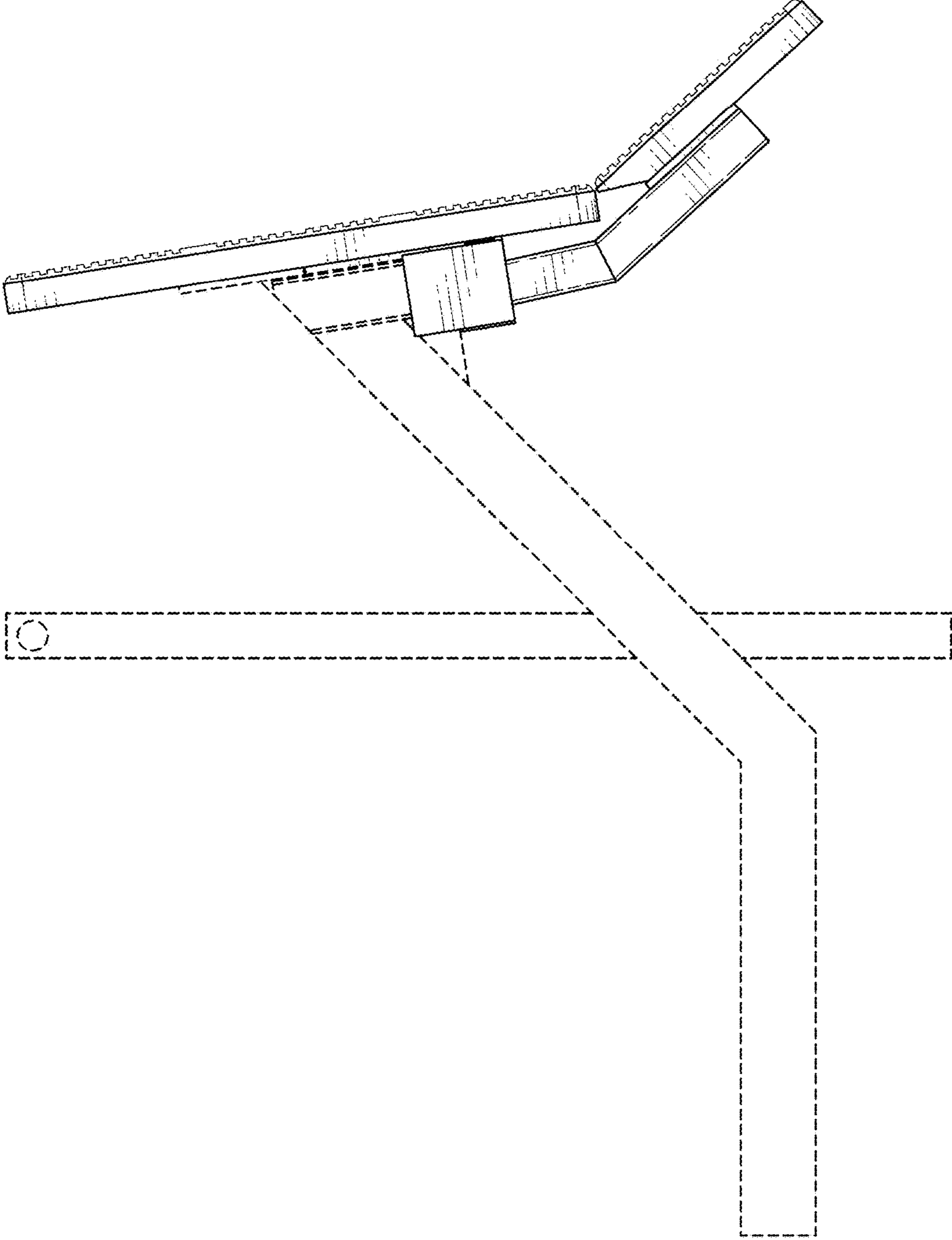


FIG. 3

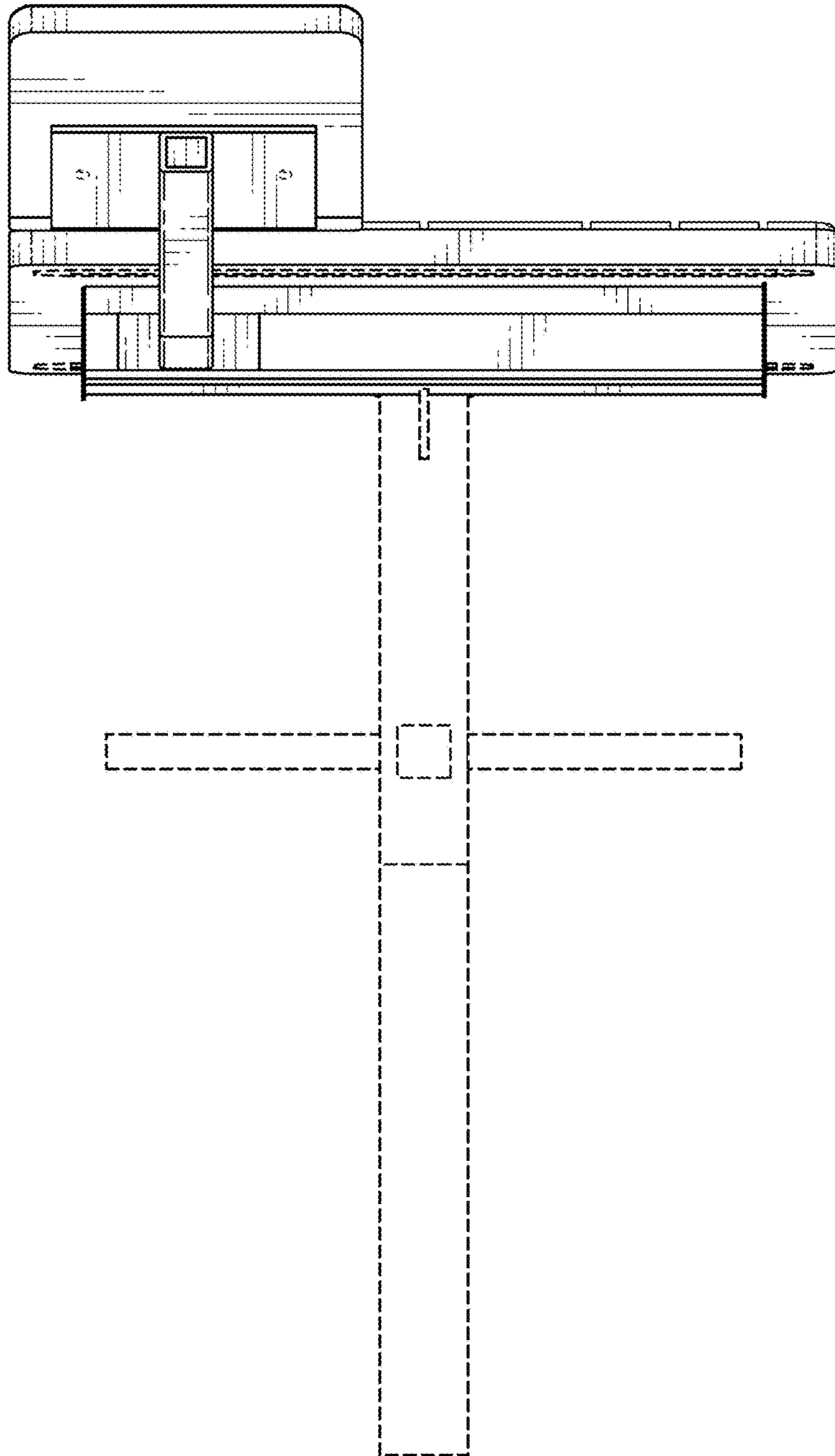


FIG. 4

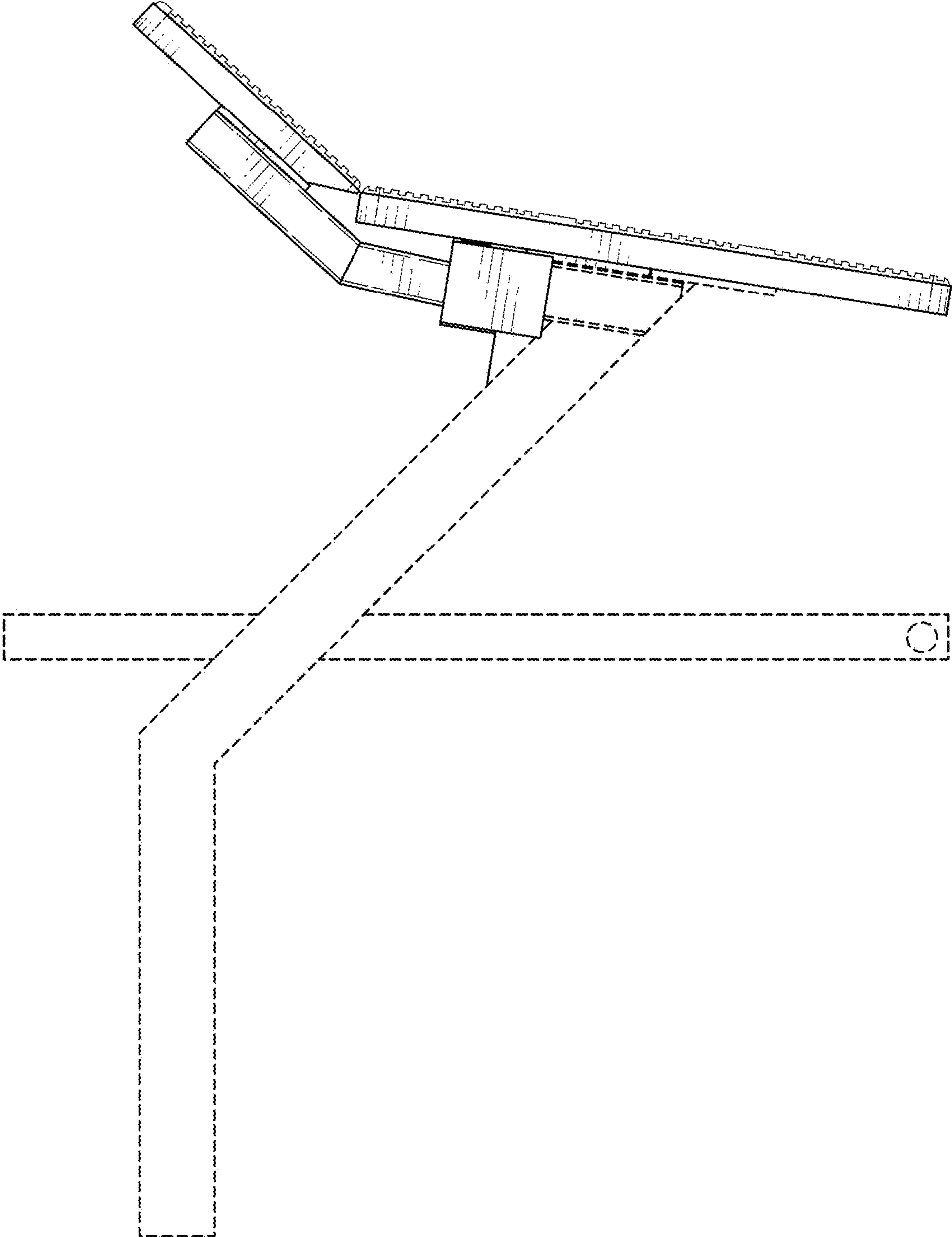


FIG. 5

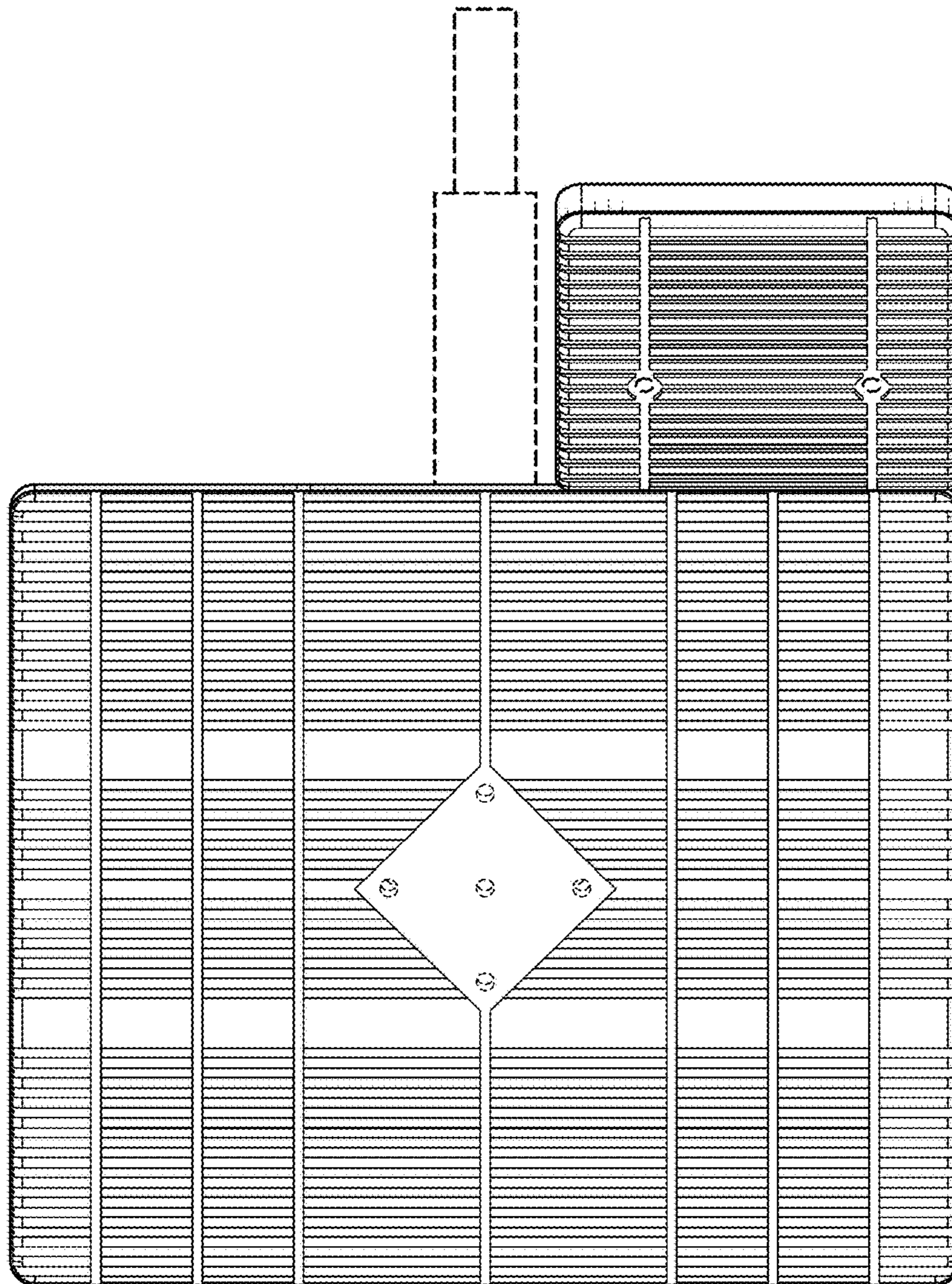


FIG. 6



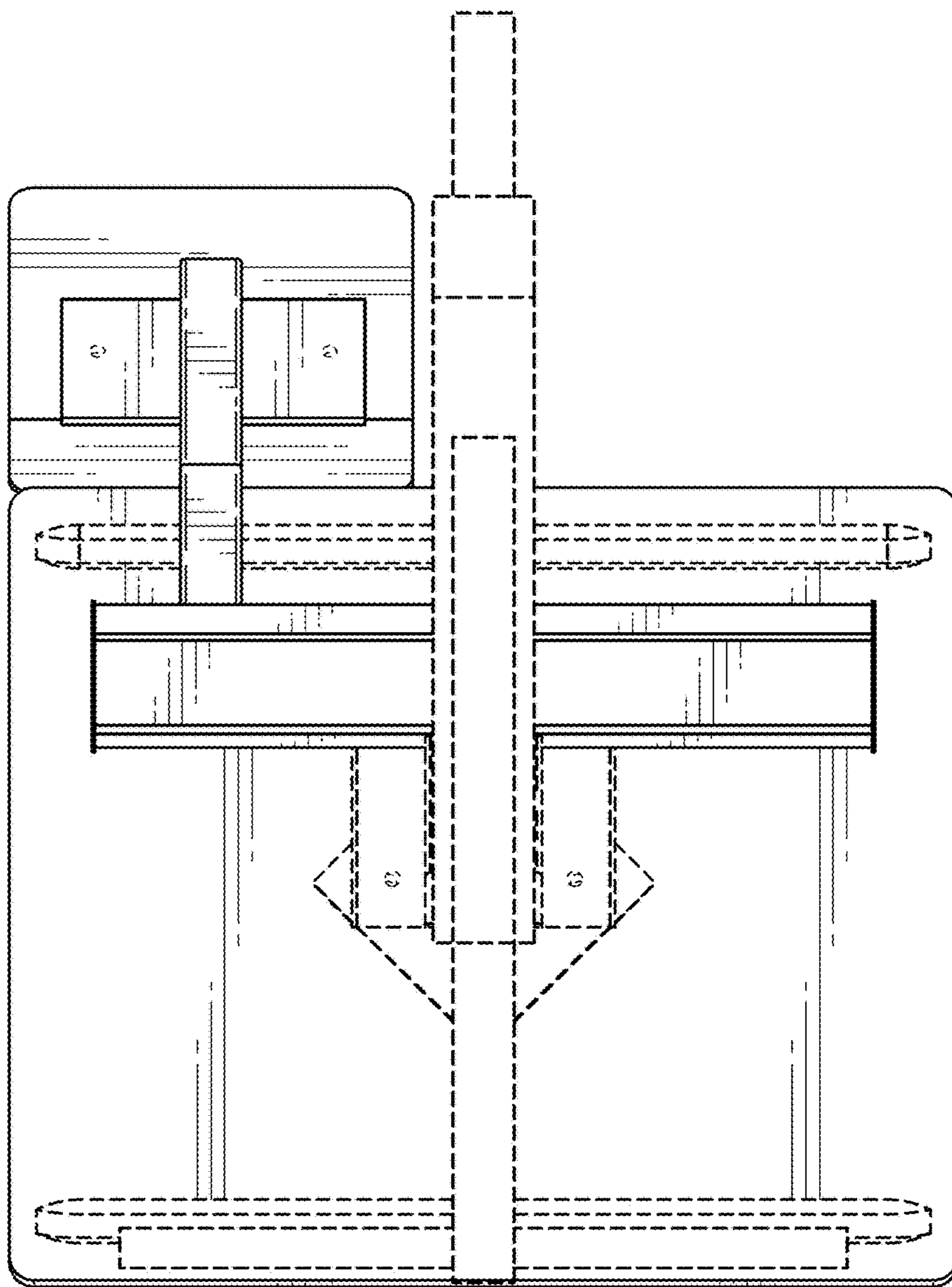


FIG. 7

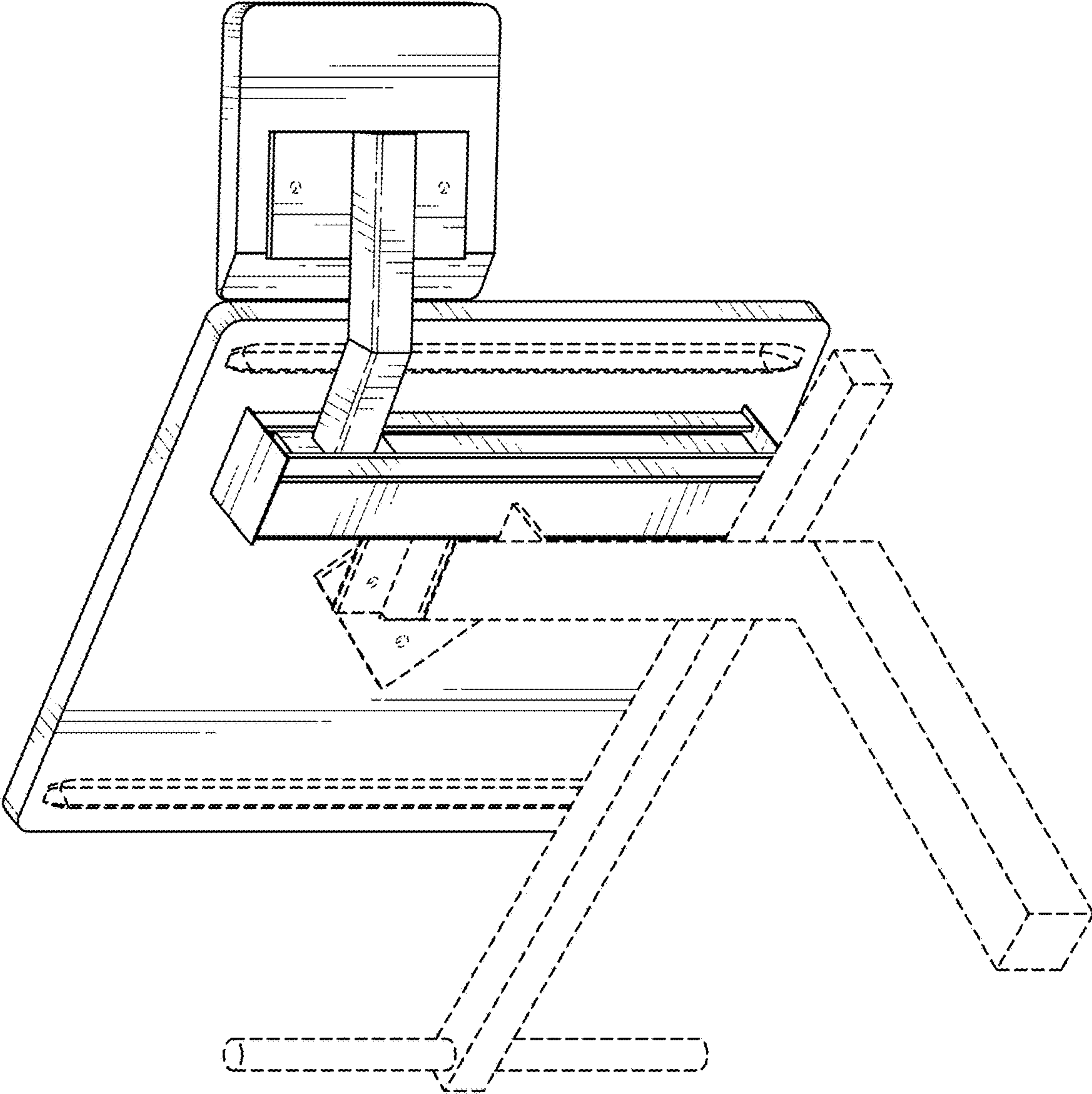


FIG. 8

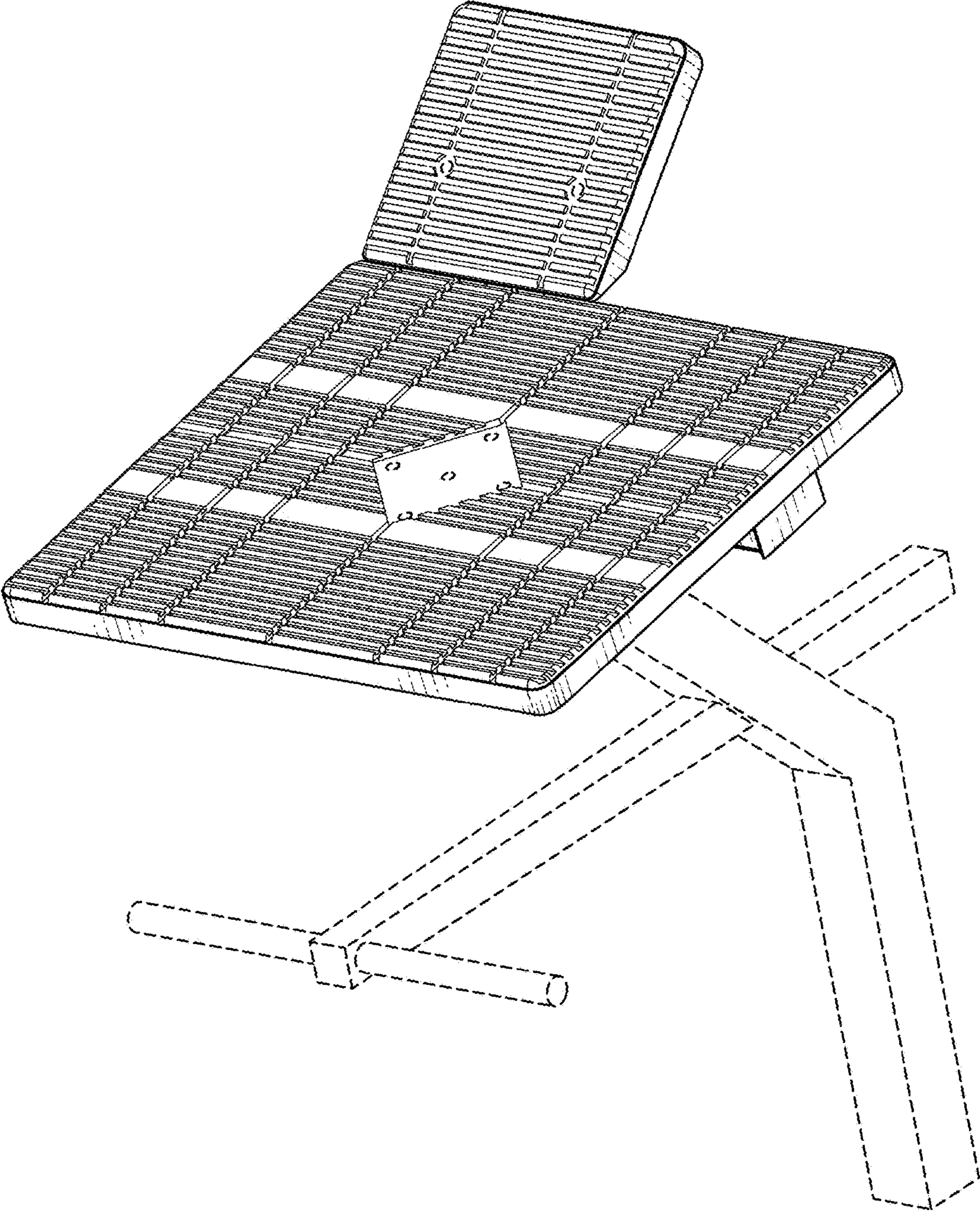


FIG. 9

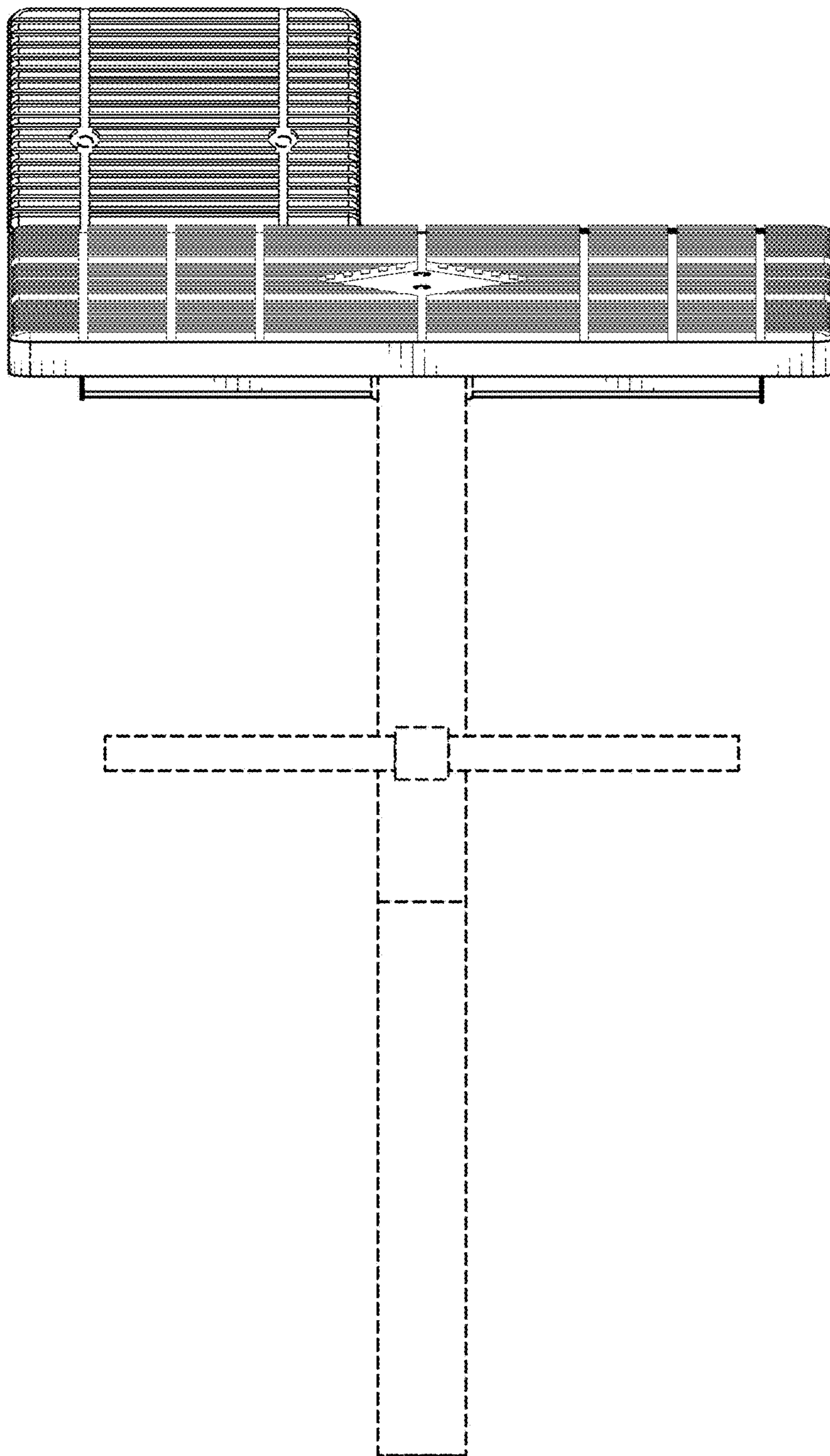


FIG. 10

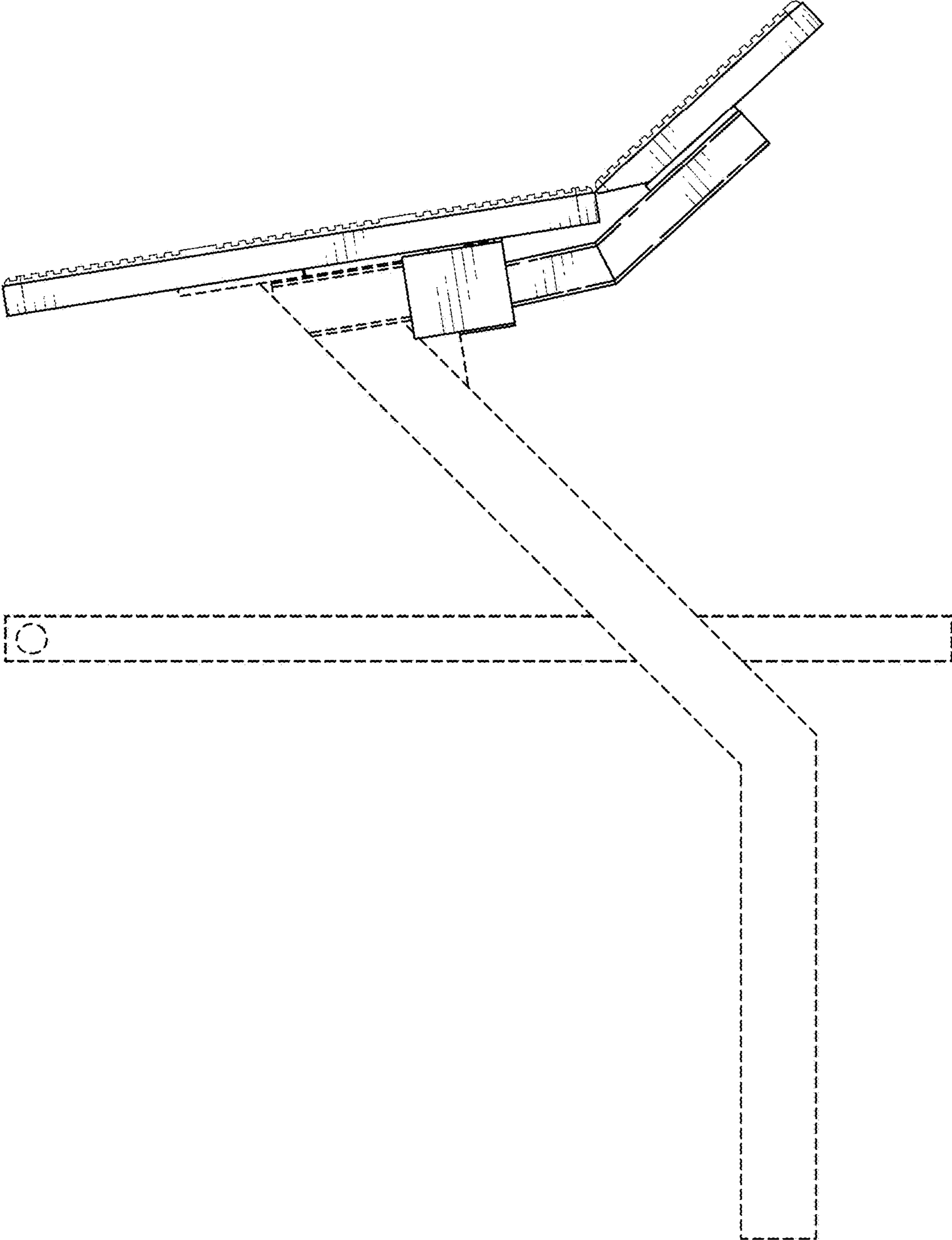


FIG. 11

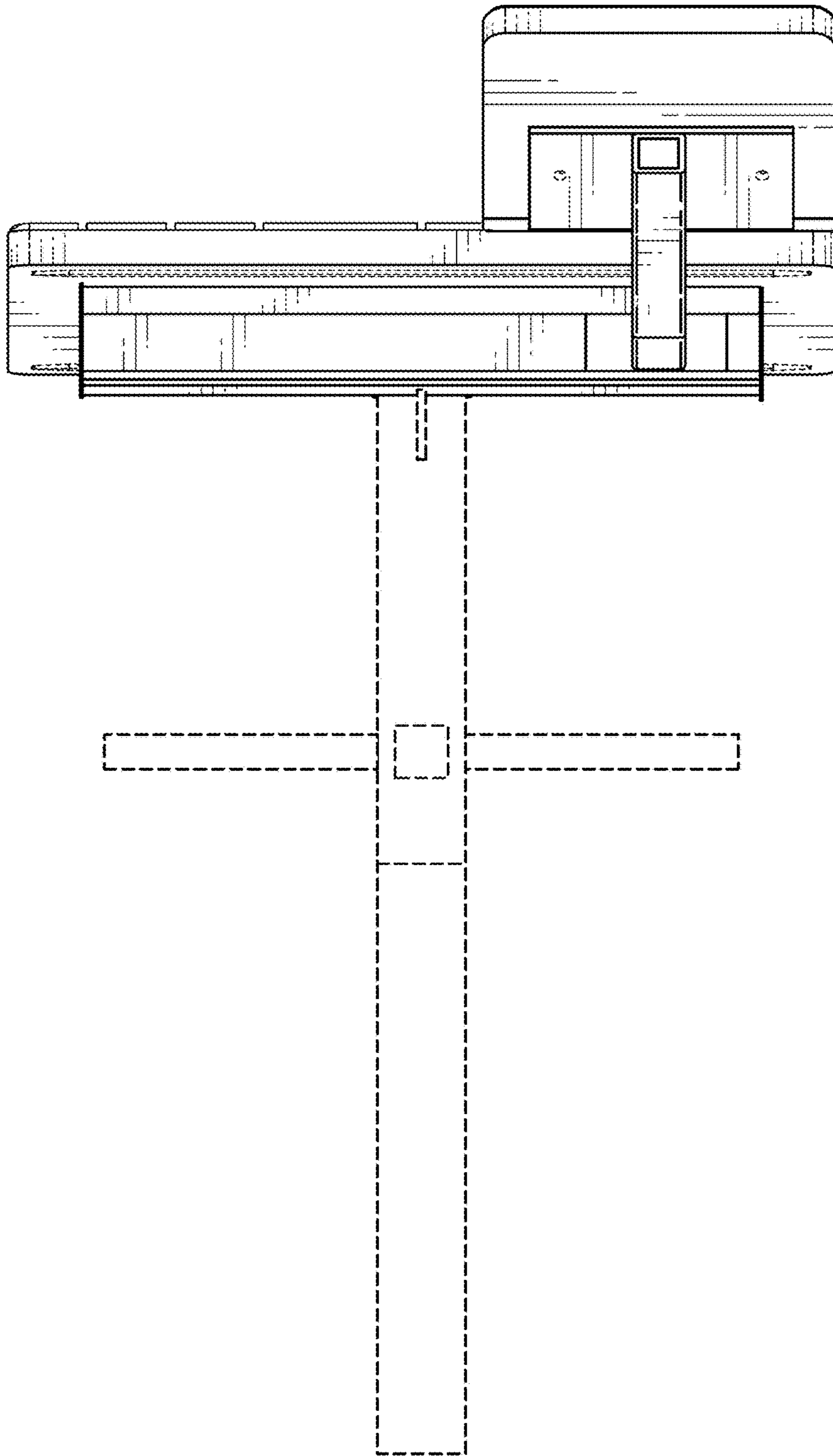


FIG. 12

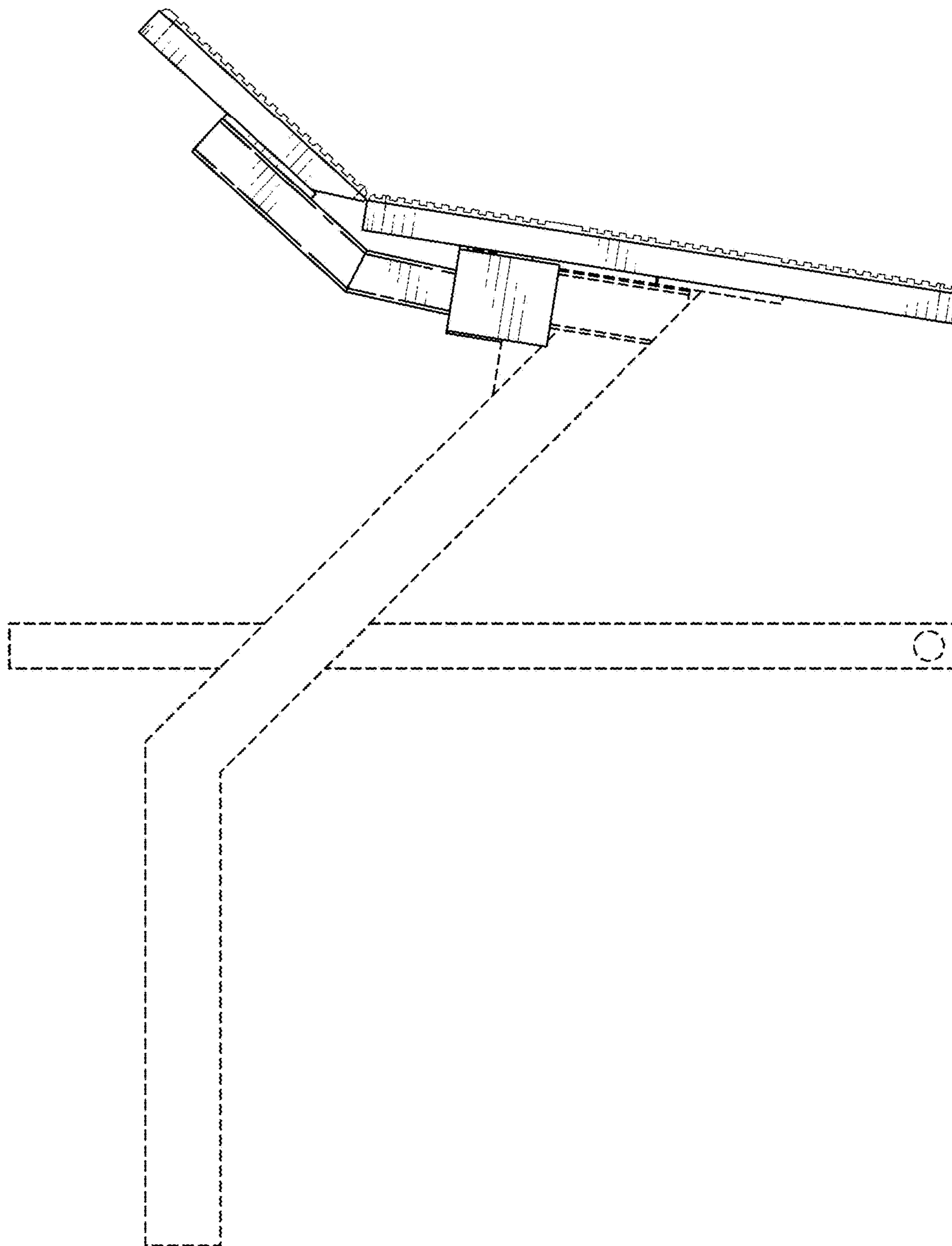


FIG. 13

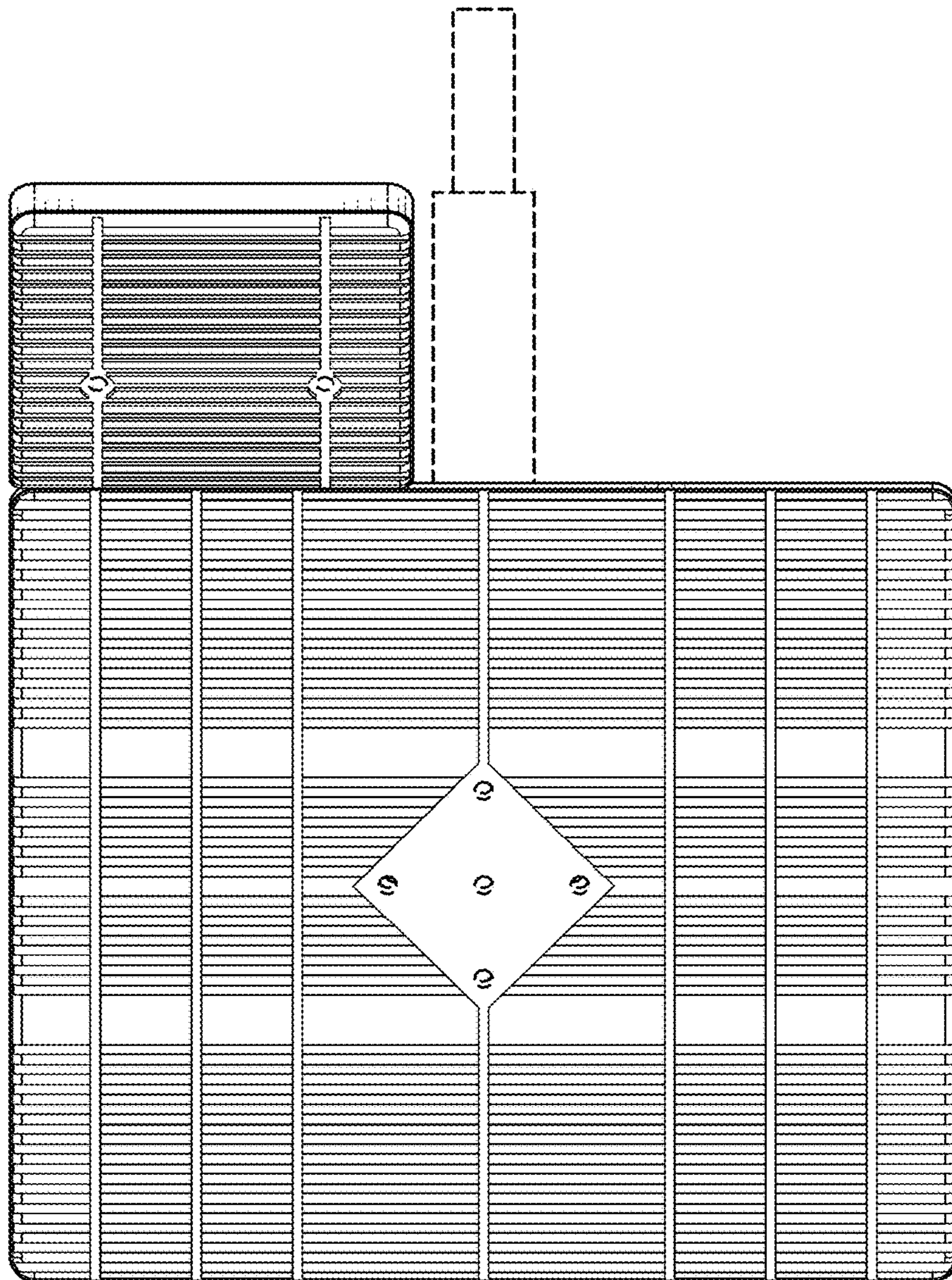


FIG. 14



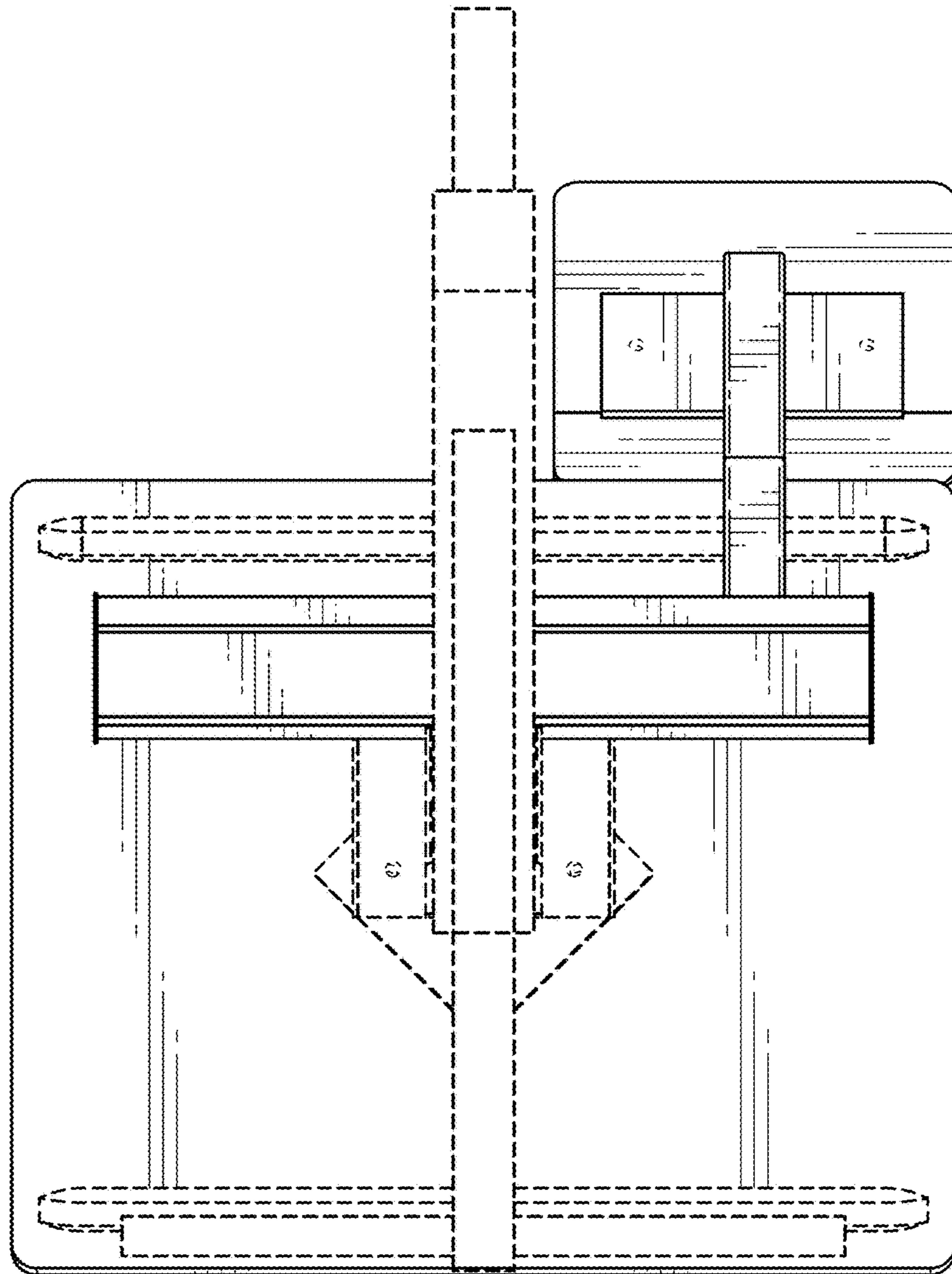


FIG. 15

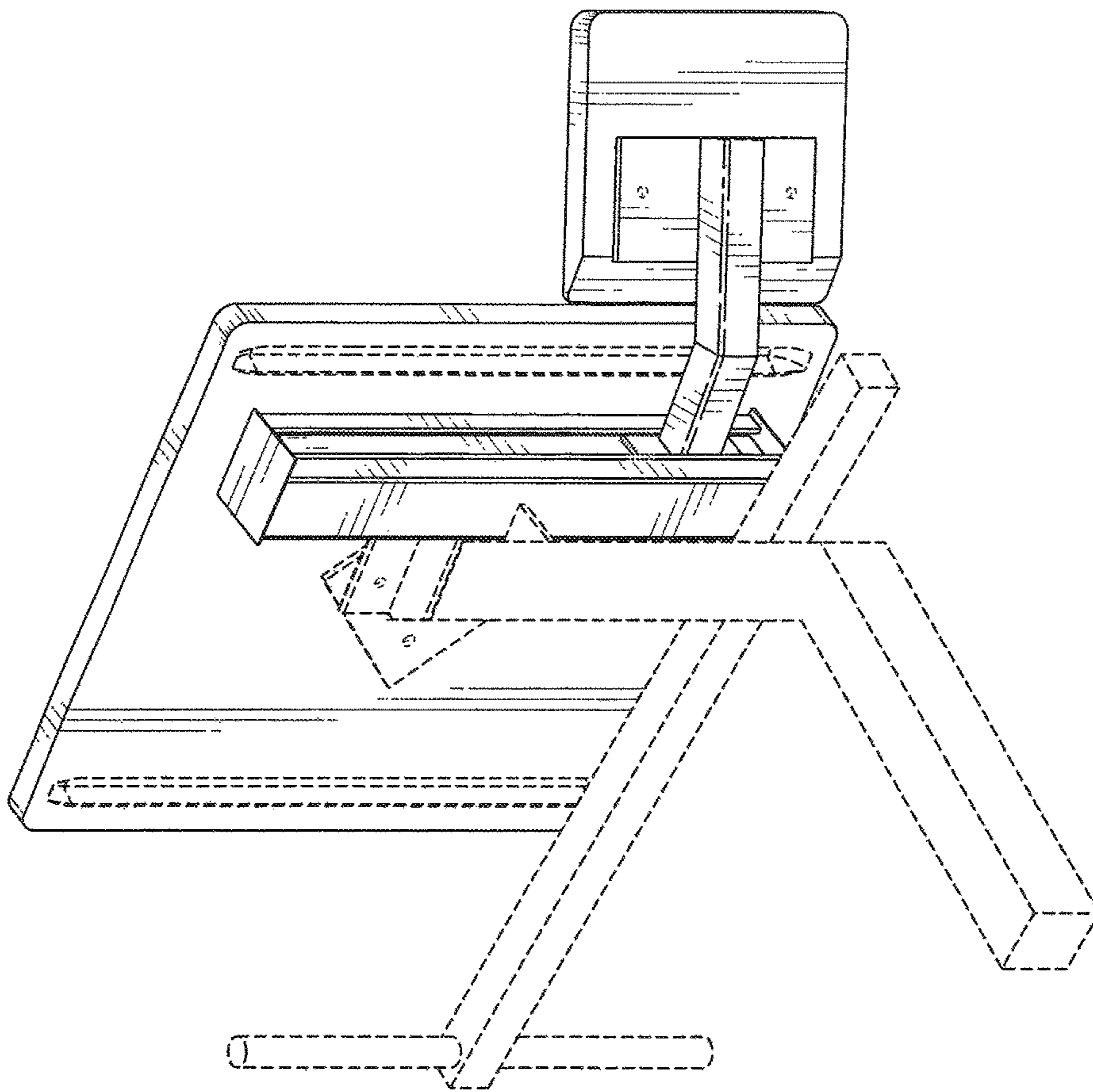


FIG. 16