



US00D784470S

(12) **United States Design Patent**
Kesselman

(10) **Patent No.:** **US D784,470 S**
(45) **Date of Patent:** **** Apr. 18, 2017**

- (54) **SKATEBOARD DECK**
- (71) Applicant: **Joshua David Kesselman**, Vancouver (CA)
- (72) Inventor: **Joshua David Kesselman**, Vancouver (CA)
- (73) Assignee: **BBK TOBACCO & FOODS, LLP**, Phoenix, AZ (US)
- (**) Term: **15 Years**
- (21) Appl. No.: **29/561,948**
- (22) Filed: **Apr. 21, 2016**
- (51) **LOC (10) Cl.** **21-02**
- (52) **U.S. Cl.**
USPC **D21/765**
- (58) **Field of Classification Search**
USPC D21/419, 421, 423, 426, 662, 760, 765, D21/766, 769, 771, 776, 803; D12/1; 280/7.14, 11.115, 11.19, 11.27, 11.28, 280/14.21, 79.11, 79.2, 87.01, 87.021, 280/87.03, 87.041, 87.042, 607, 608, 609, 280/809; 180/180, 181; 434/247, 253, 434/258; D34/23, 28
CPC A63C 17/01; A63C 17/011; A63C 17/012; A63C 17/014; A63C 17/015; A63C 17/02; A63C 17/26; A63C 5/003; B60Q 1/326; B62K 3/001
See application file for complete search history.

D530,385 S *	10/2006	Ghassedi	D21/765
D556,283 S *	11/2007	Hamborg	D21/765
D608,851 S *	1/2010	Hillman	D21/765
D692,079 S *	10/2013	Mackay	D21/765
D724,166 S *	3/2015	Hamborg	D21/765
2006/0032682 A1*	2/2006	Hillman	A63C 17/12 180/65.1

* cited by examiner

Primary Examiner — Cynthia M Chin

(74) *Attorney, Agent, or Firm* — Weiss & Moy, P.C.;
Jeffrey D. Moy

(57) **CLAIM**

The ornamental design for a skateboard deck, as shown and described.

DESCRIPTION

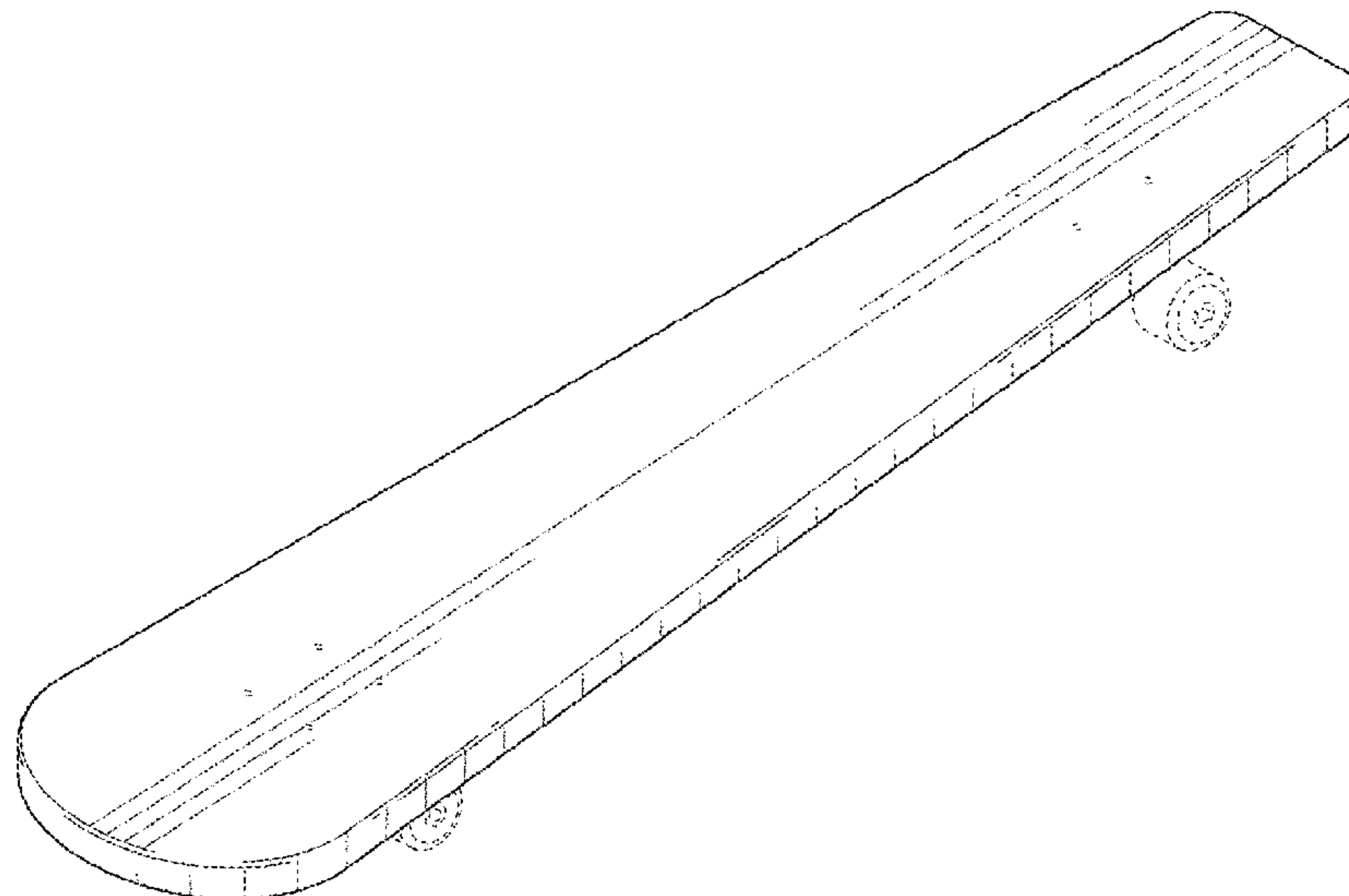
FIG. 1 is a perspective view of a skateboard deck;
 FIG. 2 is another perspective view of the skateboard deck, the dotted lines forming no portion of the design;
 FIG. 3 is a top view of the skateboard deck;
 FIG. 4 is a side view of the skateboard deck, the opposing side being a mirror image thereof;
 FIG. 5 is a front view of the skateboard deck;
 FIG. 6 is a rear view of the skateboard deck; and,
 FIG. 7 is a bottom view of the skateboard deck.

1 Claim, 3 Drawing Sheets

(56) **References Cited**

U.S. PATENT DOCUMENTS

3,827,706 A *	8/1974	Milliman	A63C 5/035 280/842
D250,492 S *	12/1978	Kish	D21/765
D345,406 S *	3/1994	Shankland	D21/765
D413,954 S *	9/1999	Gerlach	D21/765



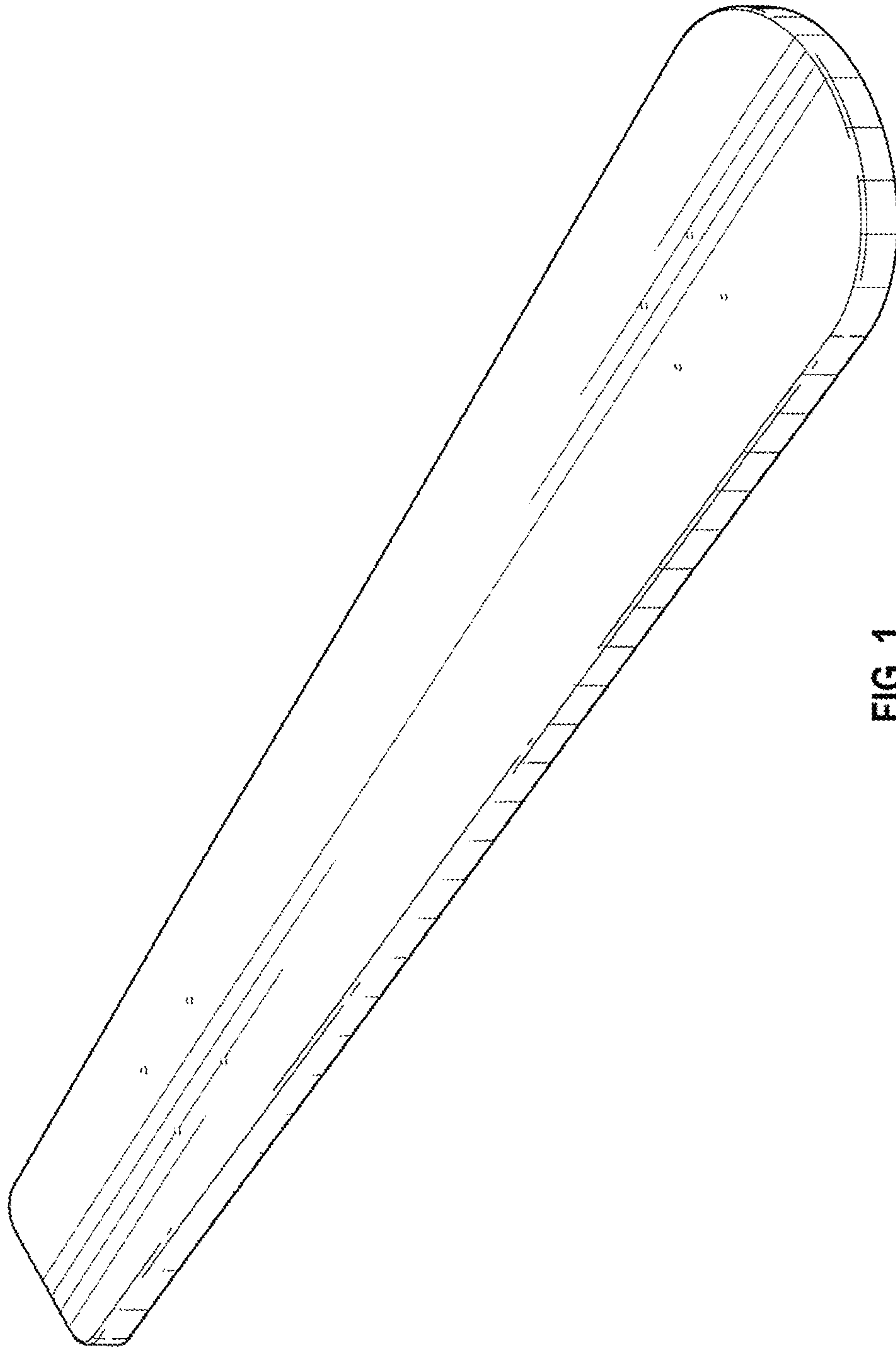


FIG. 1

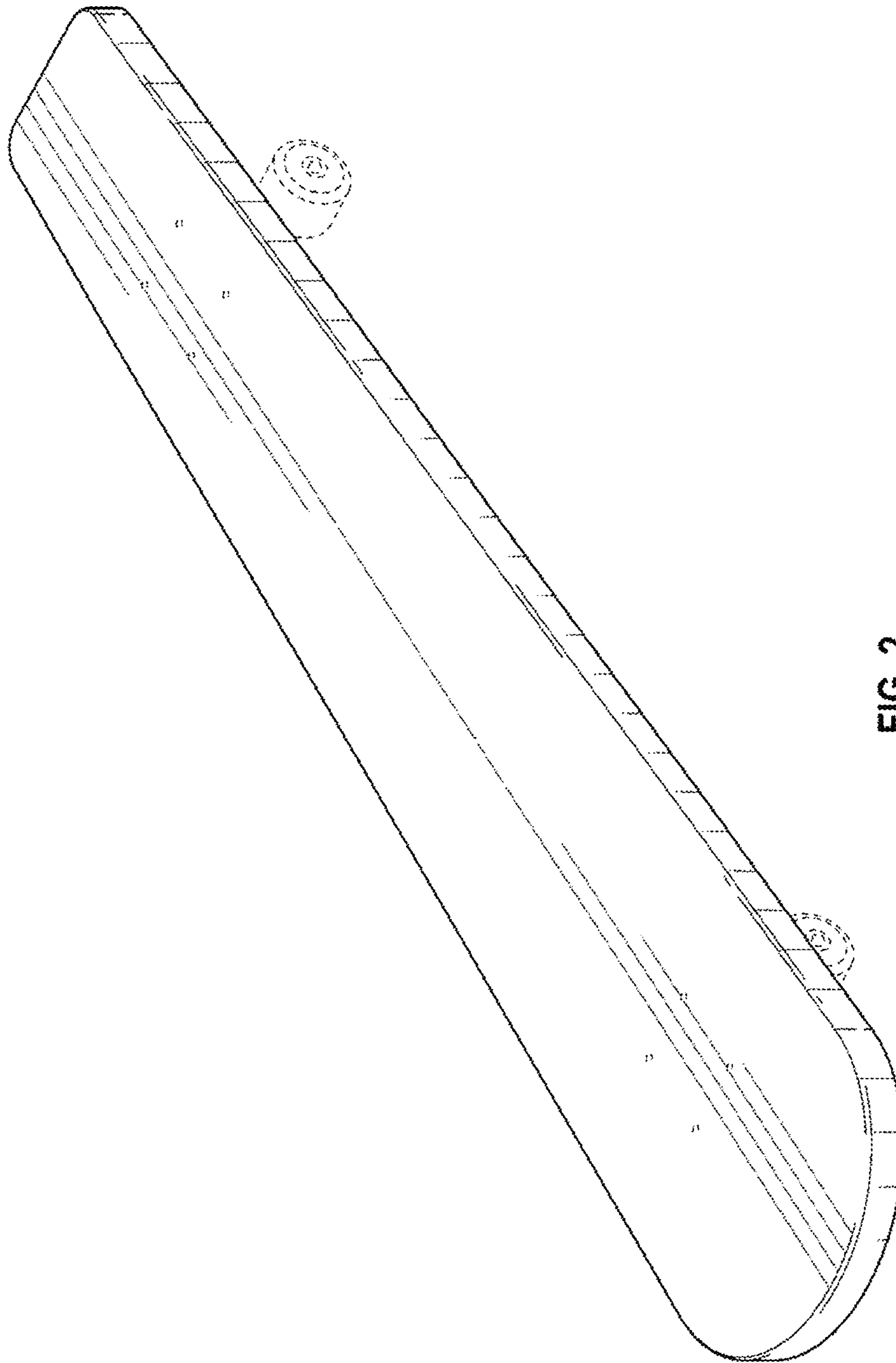


FIG. 2

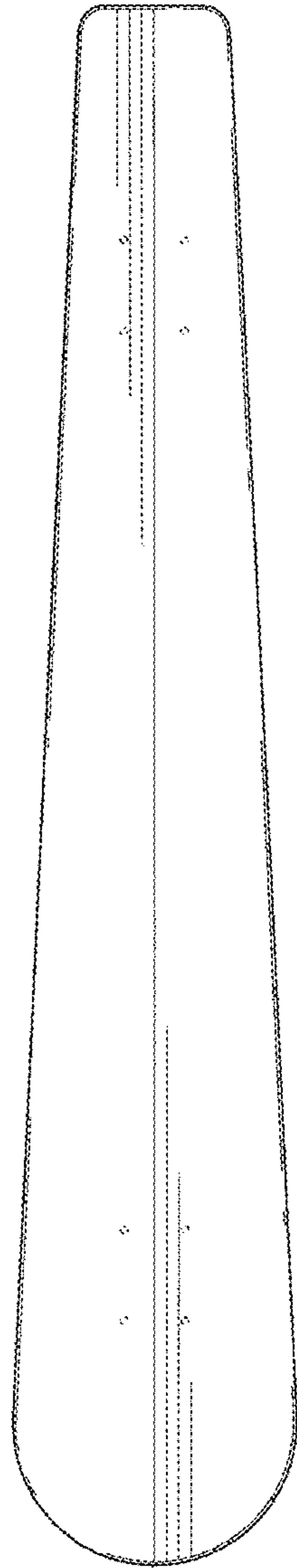


FIG. 3



FIG. 4



FIG. 5



FIG. 6

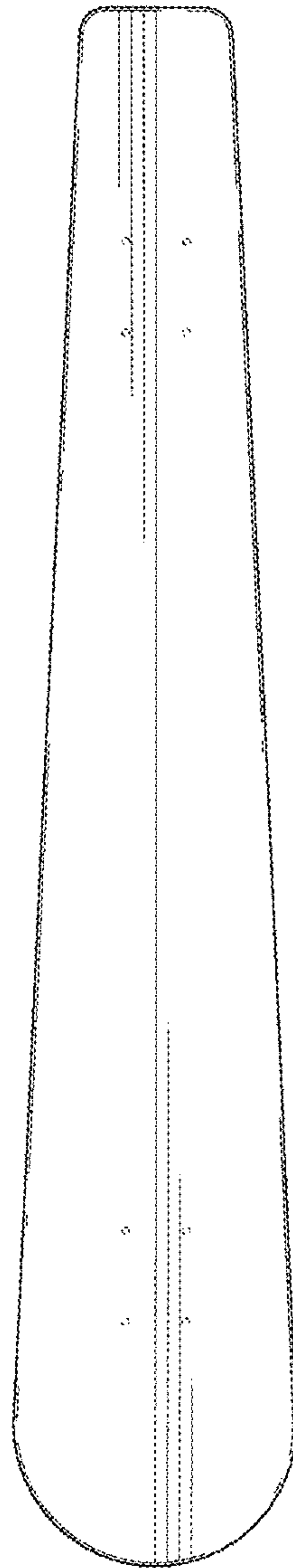


FIG. 7