



US00D784468S

(12) **United States Design Patent** (10) **Patent No.:** **US D784,468 S**
Rollinson et al. (45) **Date of Patent:** **** Apr. 18, 2017**

(54) **PUTTER HEAD**

(71) Applicant: **CALLAWAY GOLF COMPANY,**
Carlsbad, CA (US)

(72) Inventors: **Augustin W. Rollinson,** Carlsbad, CA
(US); **Larry Tang,** Carlsbad, CA (US)

(73) Assignee: **Callaway Golf Company,** Carlsbad,
CA (US)

(**) Term: **15 Years**

(21) Appl. No.: **29/556,701**

(22) Filed: **Mar. 2, 2016**

(51) **LOC (10) Cl.** **21-02**

(52) **U.S. Cl.**
USPC **D21/743**

(58) **Field of Classification Search**
USPC D21/736-746
CPC ... A63B 53/065; A63B 53/0487; A63B 53/00;
A63B 53/007; A63B 53/04

See application file for complete search history.

(56) **References Cited**

U.S. PATENT DOCUMENTS

D207,227 S *	3/1967	Solheim	D21/739
D239,951 S *	5/1976	Carrier	D21/742
D389,207 S *	1/1998	Cameron	D21/742
D426,599 S *	6/2000	Morgan	D21/736
D443,906 S *	6/2001	Hettinger	D21/743
D483,823 S *	12/2003	Swist	D21/736
D485,320 S *	1/2004	Breier	D21/736
D498,276 S *	11/2004	Schweigert	D21/743
D521,580 S *	5/2006	Burrows	D21/736
D535,712 S *	1/2007	Toroussian	D21/749
D548,294 S *	8/2007	Nguyen	D21/736

D552,196 S *	10/2007	Hueber	D21/742
D562,921 S *	2/2008	Nguyen	D21/742
D570,933 S *	6/2008	Kramski	D21/742
D574,909 S *	8/2008	Jones	D21/743
D590,462 S *	4/2009	Hettinger	D21/743
D599,423 S *	9/2009	Serrano	D21/736
D638,892 S *	5/2011	Hettinger	D21/743
D643,893 S *	8/2011	Rollinson	D21/742
D648,407 S *	11/2011	Teramoto	D21/743
D688,339 S *	8/2013	Hilton	D21/736
D689,574 S *	9/2013	Rollinson	D21/743
D702,782 S *	4/2014	Wempe	D21/743
9,033,812 B2 *	5/2015	Solheim	A63B 53/007 473/238
D769,383 S *	10/2016	Abbott	D21/743

* cited by examiner

Primary Examiner — Mitchell Siegel

(74) *Attorney, Agent, or Firm* — Rebecca Hanovice;
Michael Catania; Sonia Lari

(57) **CLAIM**

The ornamental design for a putter head, as shown and described.

DESCRIPTION

FIG. 1 is a rear perspective view of a the putter head as claimed herein;

FIG. 2 is a rear elevational view thereof;

FIG. 3 is a front elevational view thereof;

FIG. 4 is a right side perspective view thereof;

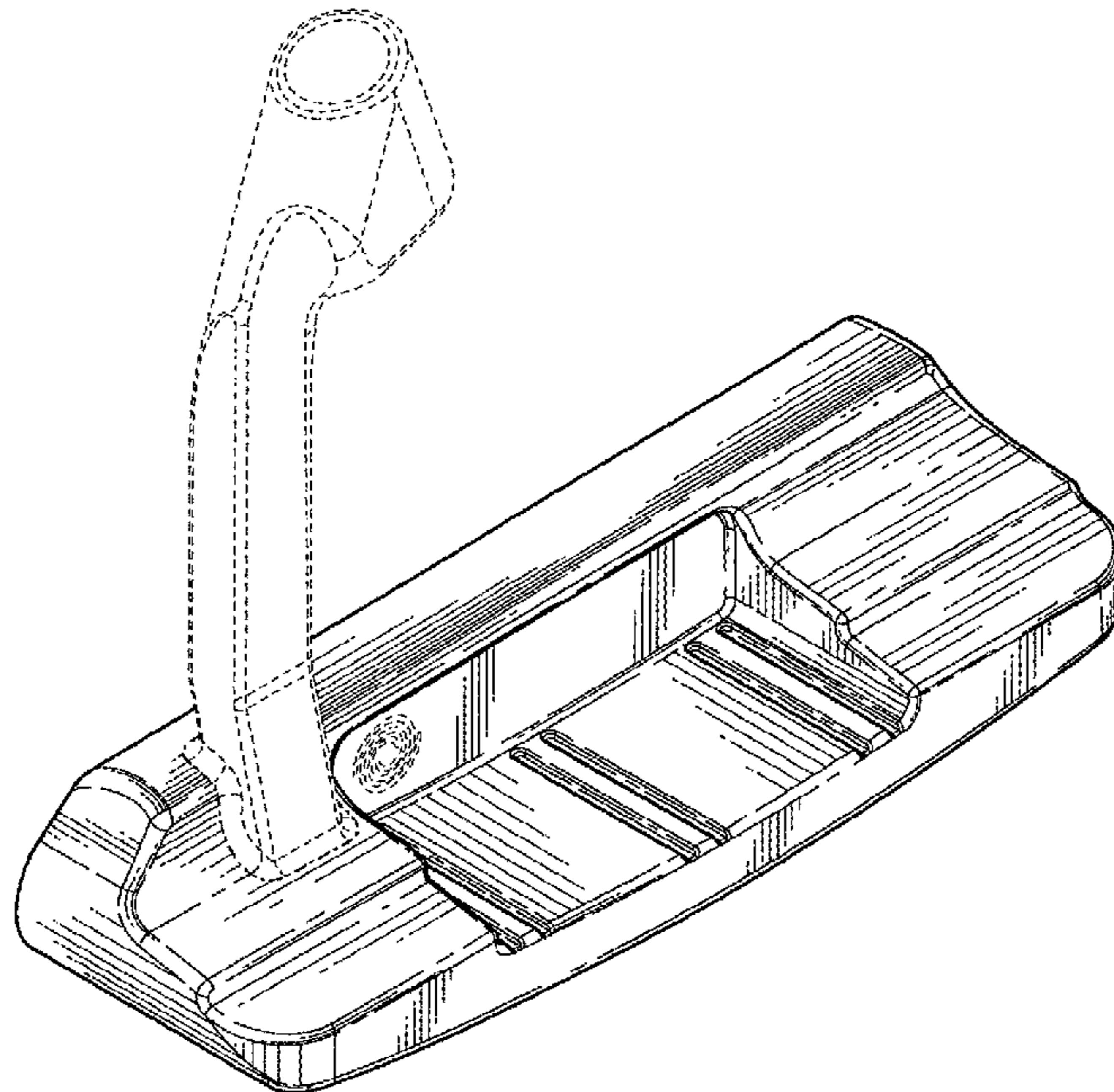
FIG. 5 is a left side perspective view thereof;

FIG. 6 is a top plan view thereof; and,

FIG. 7 is a bottom plan view thereof.

The broken lines are included for the purpose of illustration only and form no part of the claimed design.

1 Claim, 4 Drawing Sheets



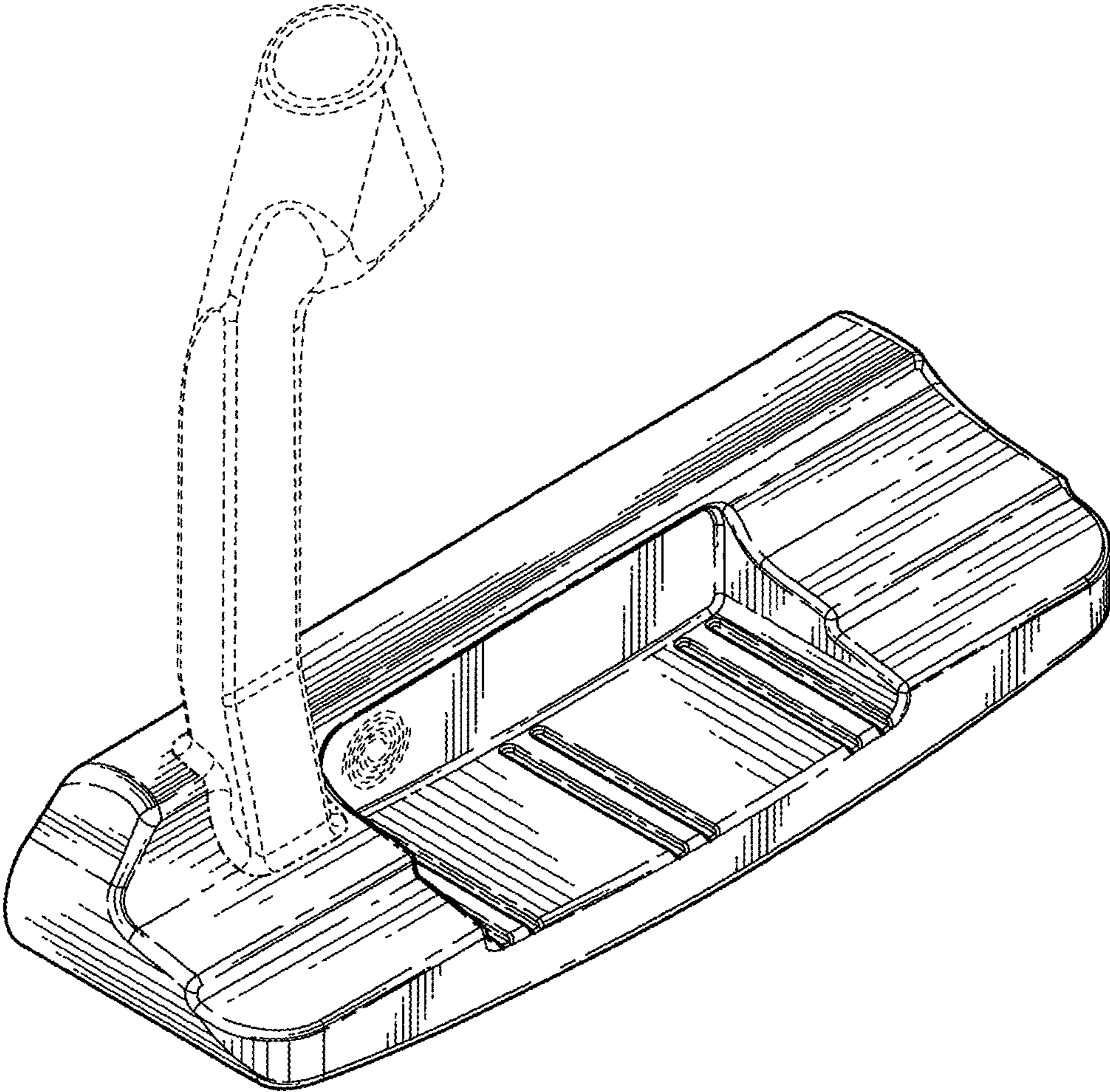


FIG. 1

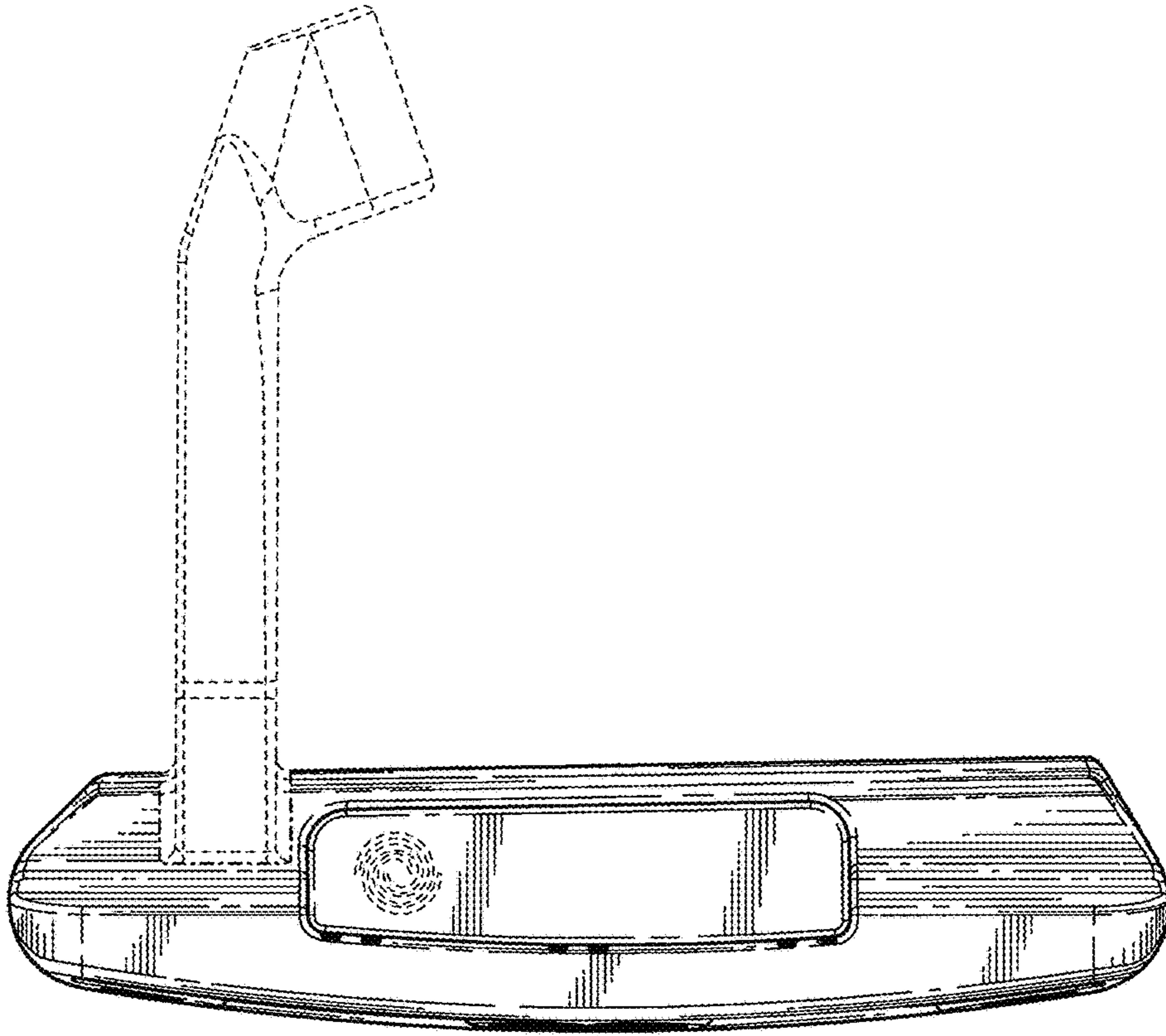


FIG. 2

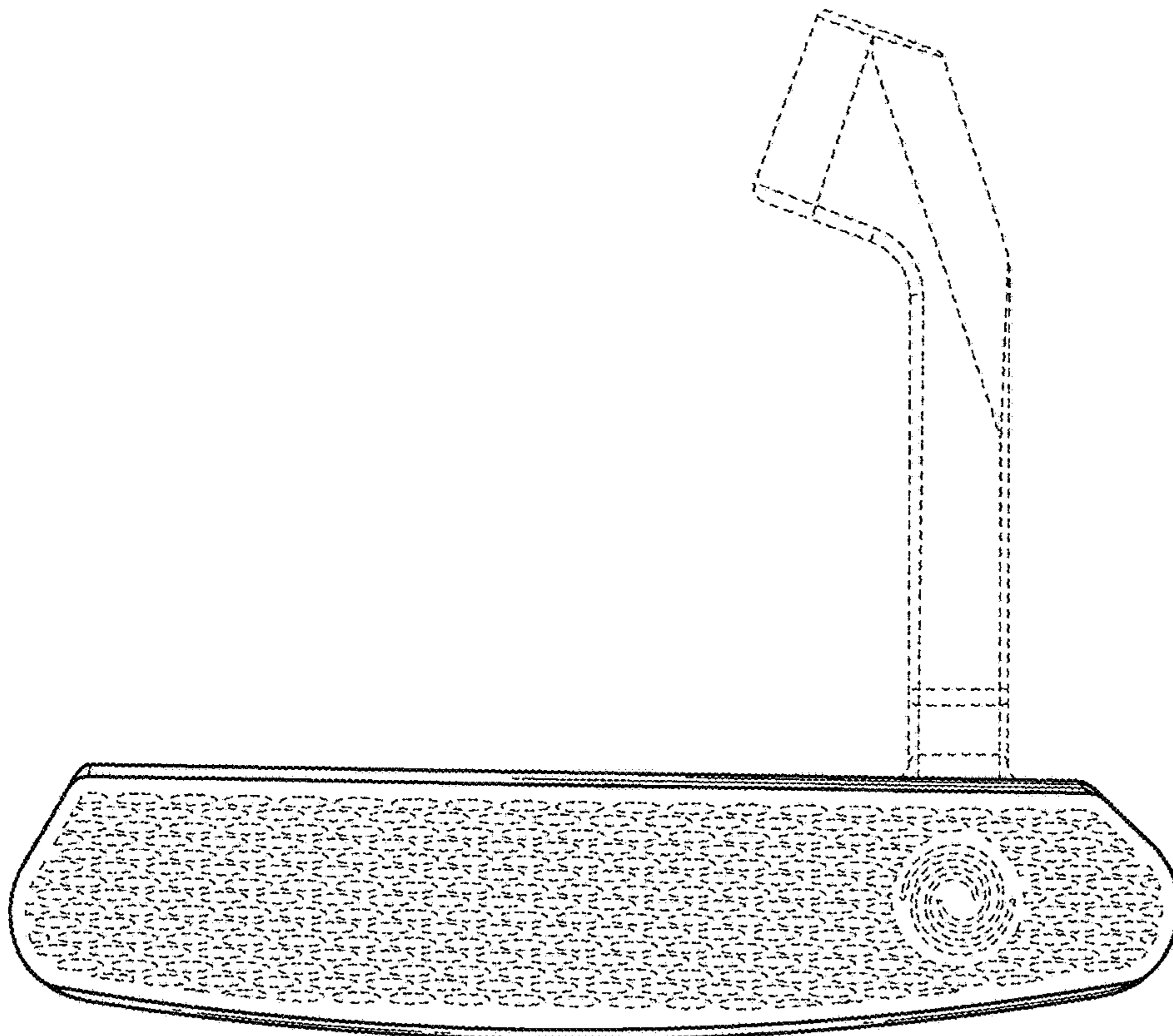


FIG. 3

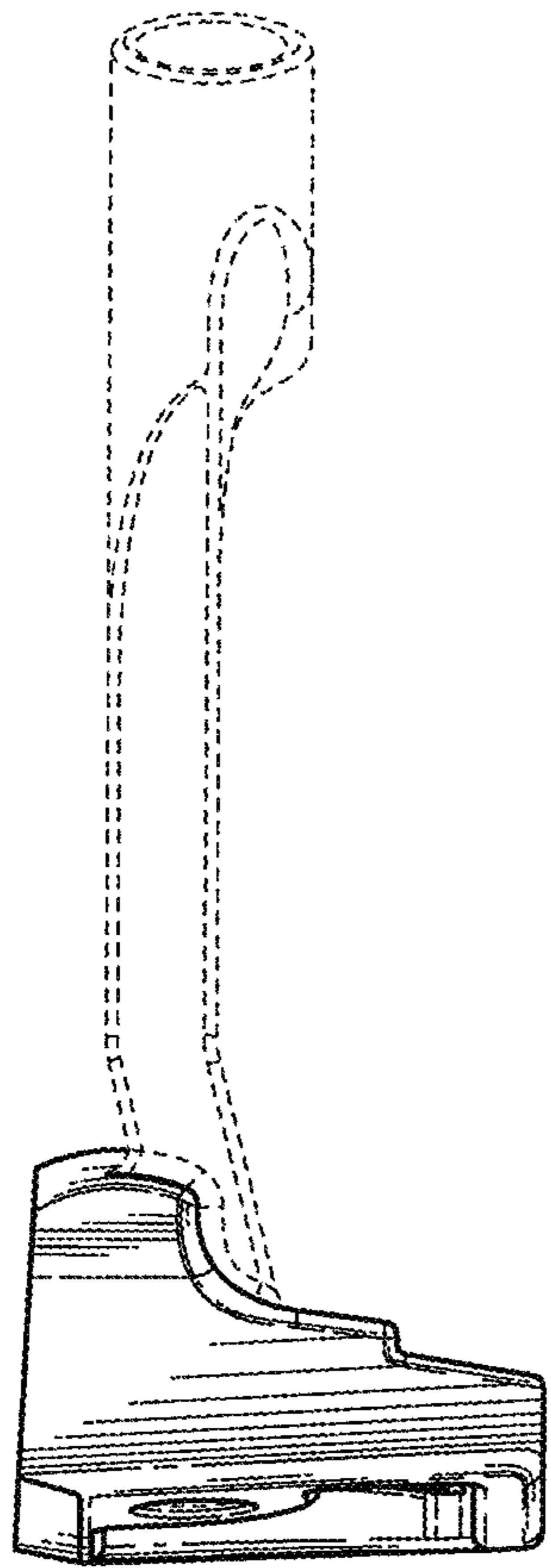


FIG. 4

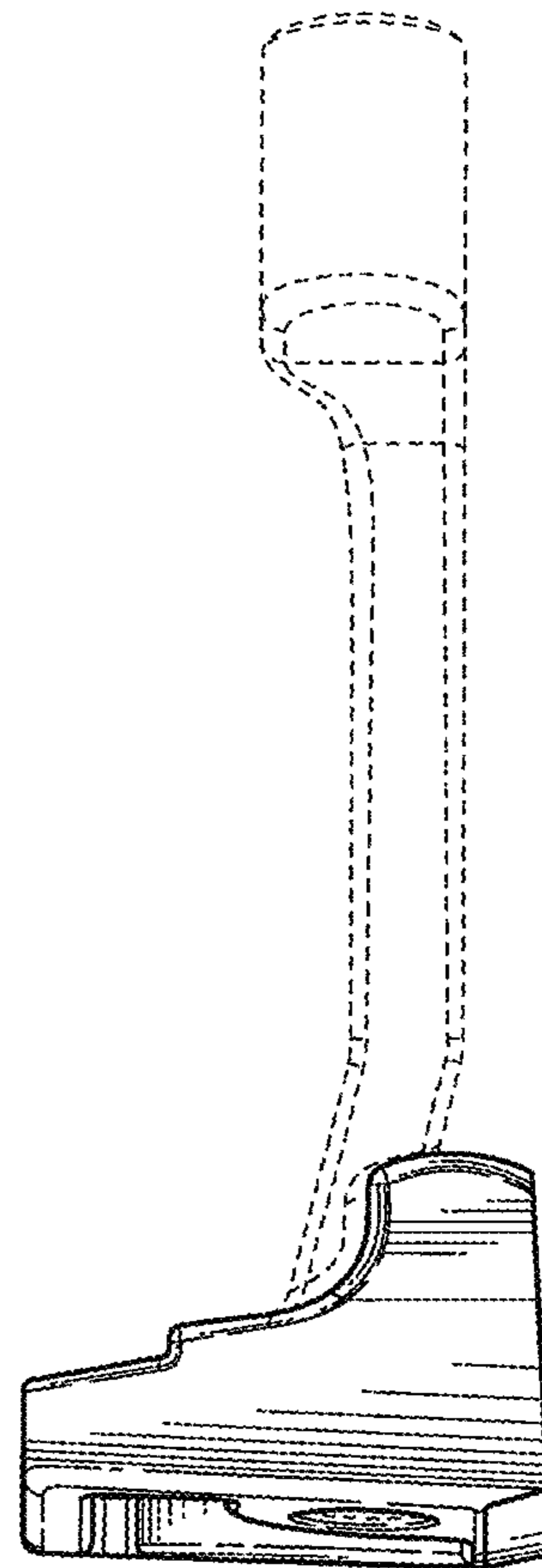


FIG. 5

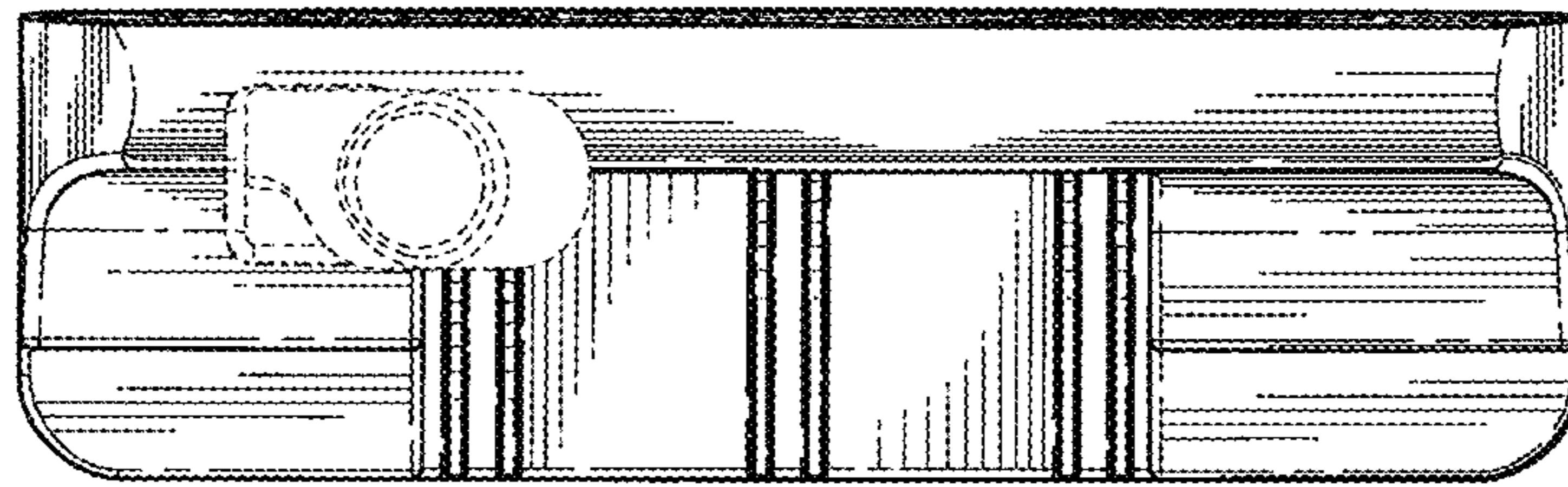


FIG. 6

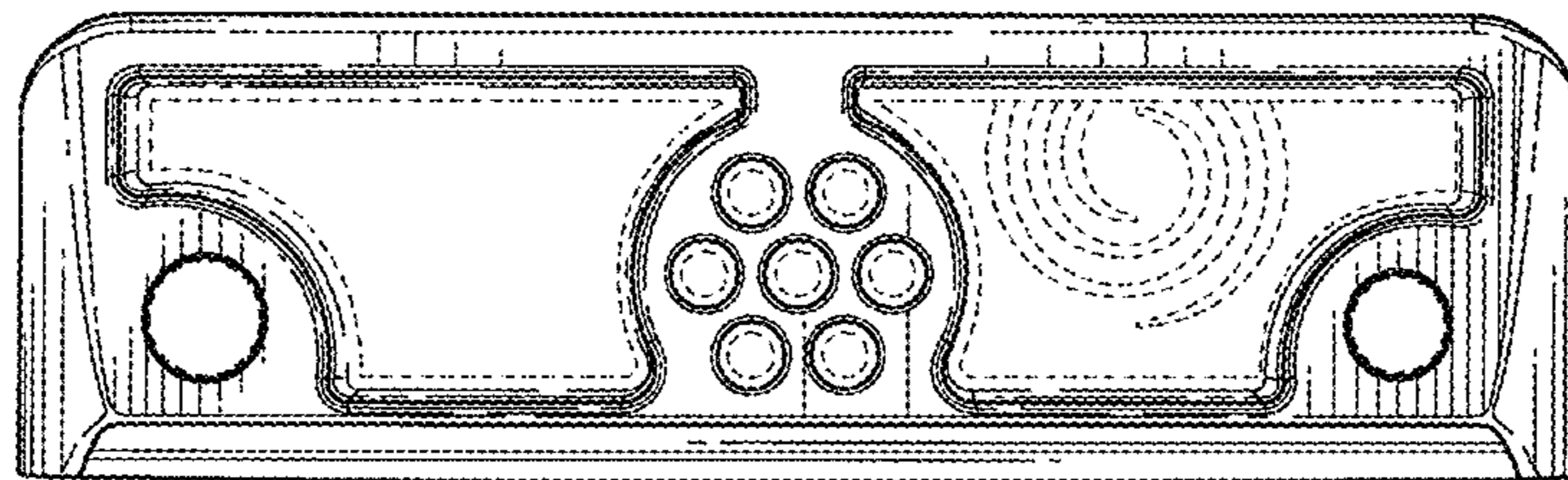


FIG. 7