



US00D784466S

(12) **United States Design Patent** (10) **Patent No.:** **US D784,466 S**
Evans (45) **Date of Patent:** **** Apr. 18, 2017**

(54) **PROJECTILE THROWING APPARATUS**

(71) Applicant: **Curtis Evans**, Springfield, VA (US)

(72) Inventor: **Curtis Evans**, Springfield, VA (US)

(**) Term: **14 Years**

(21) Appl. No.: **29/508,440**

(22) Filed: **Nov. 6, 2014**

Related U.S. Application Data

(63) Continuation-in-part of application No. 13/779,676, filed on Feb. 27, 2013, now Pat. No. 9,149,695.

(51) **LOC (10) Cl.** **21-02**

(52) **U.S. Cl.**
USPC **D21/722**

(58) **Field of Classification Search**
USPC D21/722, 724
CPC F41B 3/00; A63B 59/02; A63B 65/12
See application file for complete search history.

(56) **References Cited**

U.S. PATENT DOCUMENTS

1,585,446	A *	5/1926	Warwick	124/5
D194,045	S *	11/1962	Hasselbusch	D21/723
3,170,688	A *	2/1965	Porter	473/503
3,589,349	A *	6/1971	Parker	124/5
4,502,690	A *	3/1985	Ruperto	473/513
4,595,205	A *	6/1986	Ruperto	473/513
5,290,039	A *	3/1994	Cornelio	473/513
D350,999	S *	9/1994	Chen	D21/724
D363,098	S *	10/1995	Chen	D21/723
D368,291	S *	3/1996	Sullivan et al.	D21/723
D428,085	S *	7/2000	Kirch	D21/722
D484,564	S *	12/2003	Edevold	D22/135
D525,326	S *	7/2006	Green	D21/725

D525,670	S *	7/2006	Green	D21/725
2006/0229136	A1 *	10/2006	Presley	473/157
2012/0312286	A1 *	12/2012	Kilian	124/7
2013/0167818	A1 *	7/2013	Ivanic et al.	124/5

* cited by examiner

Primary Examiner — Mitchell Siegel

(74) *Attorney, Agent, or Firm* — Michael Haynes PLC;
Michael N. Haynes

(57) **CLAIM**

I claim the ornamental design for a projectile throwing apparatus, as shown and described.

DESCRIPTION

FIG. 1 is a front perspective view of a projectile throwing apparatus, for example for throwing a golf ball sized projectile, showing my new design;

FIG. 2 is a rear perspective of the apparatus;

FIG. 3 is a detail front perspective view of the head of the apparatus;

FIG. 4 is a detail rear perspective view of the head of the apparatus;

FIG. 5 is a right side elevation of the head of the apparatus taken from FIG. 3;

FIG. 6 is a rear elevation of the apparatus taken from FIG. 3;

FIG. 7 is a front elevation view taken from FIG. 3;

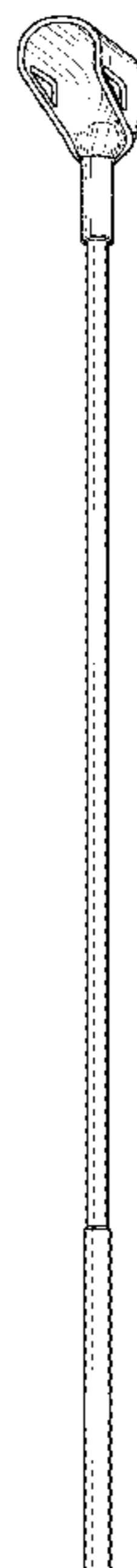
FIG. 8 is a top plan view taken from FIG. 3;

FIG. 9 is a bottom plan view taken from FIG. 3; and,

FIG. 10 is a sectional view taken from FIG. 7 along center 10-10.

The broken lines showing the remainder of the apparatus are for illustrative purposes as showing the environment of the design and form no part of the claimed design.

1 Claim, 9 Drawing Sheets



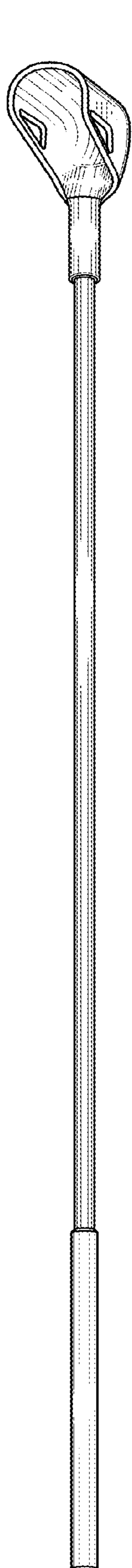


FIG. 1

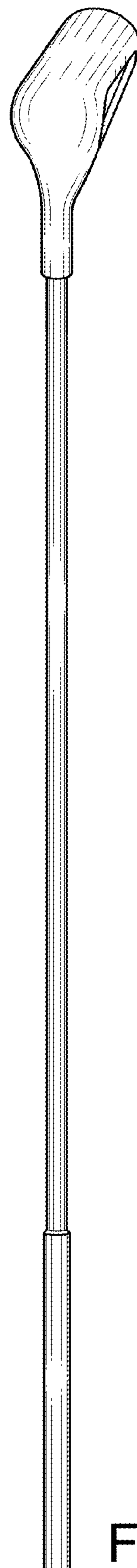


FIG. 2

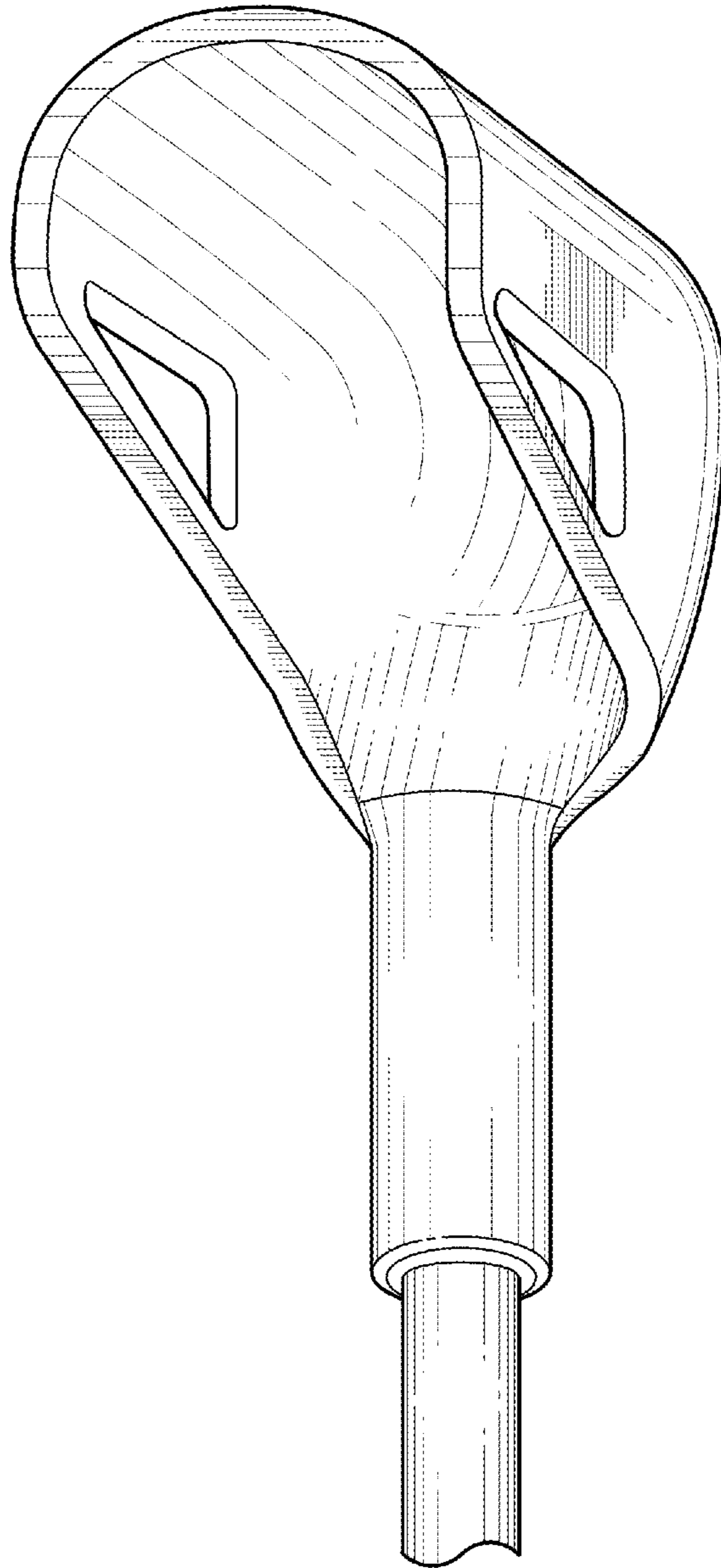


FIG. 3

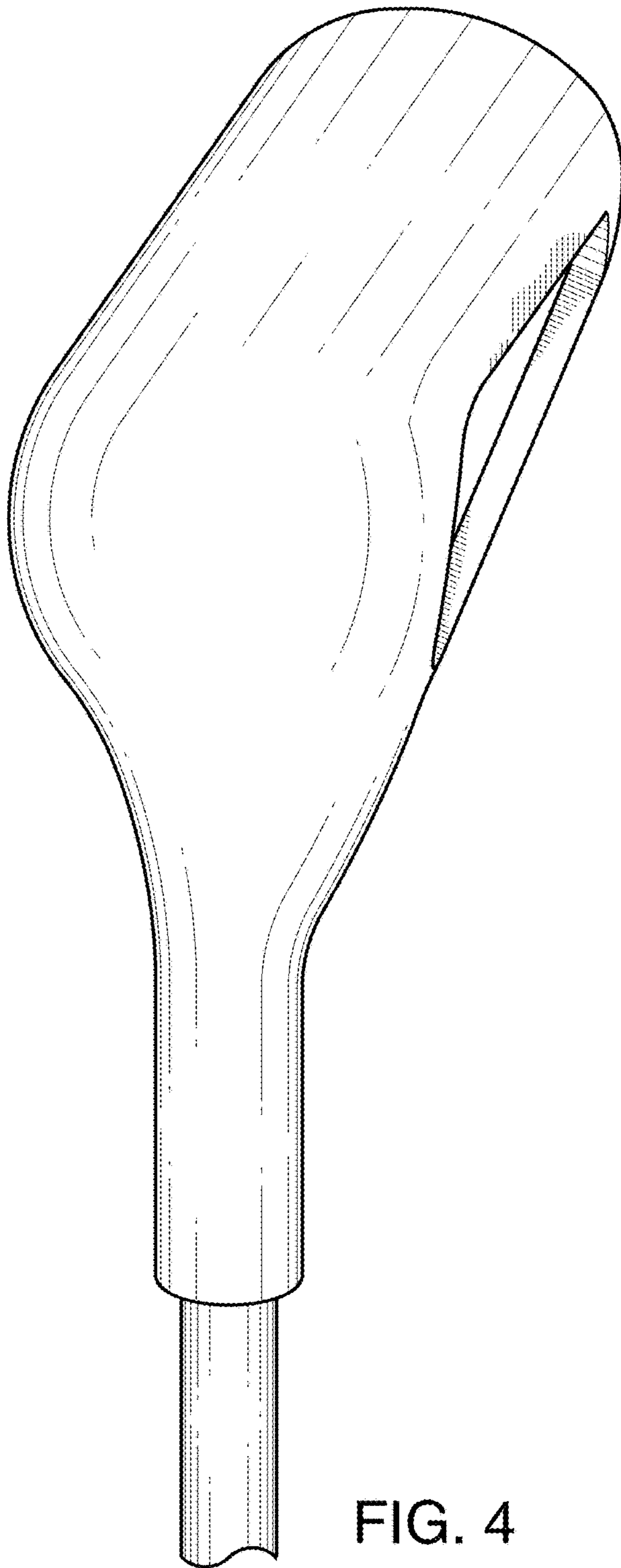


FIG. 4

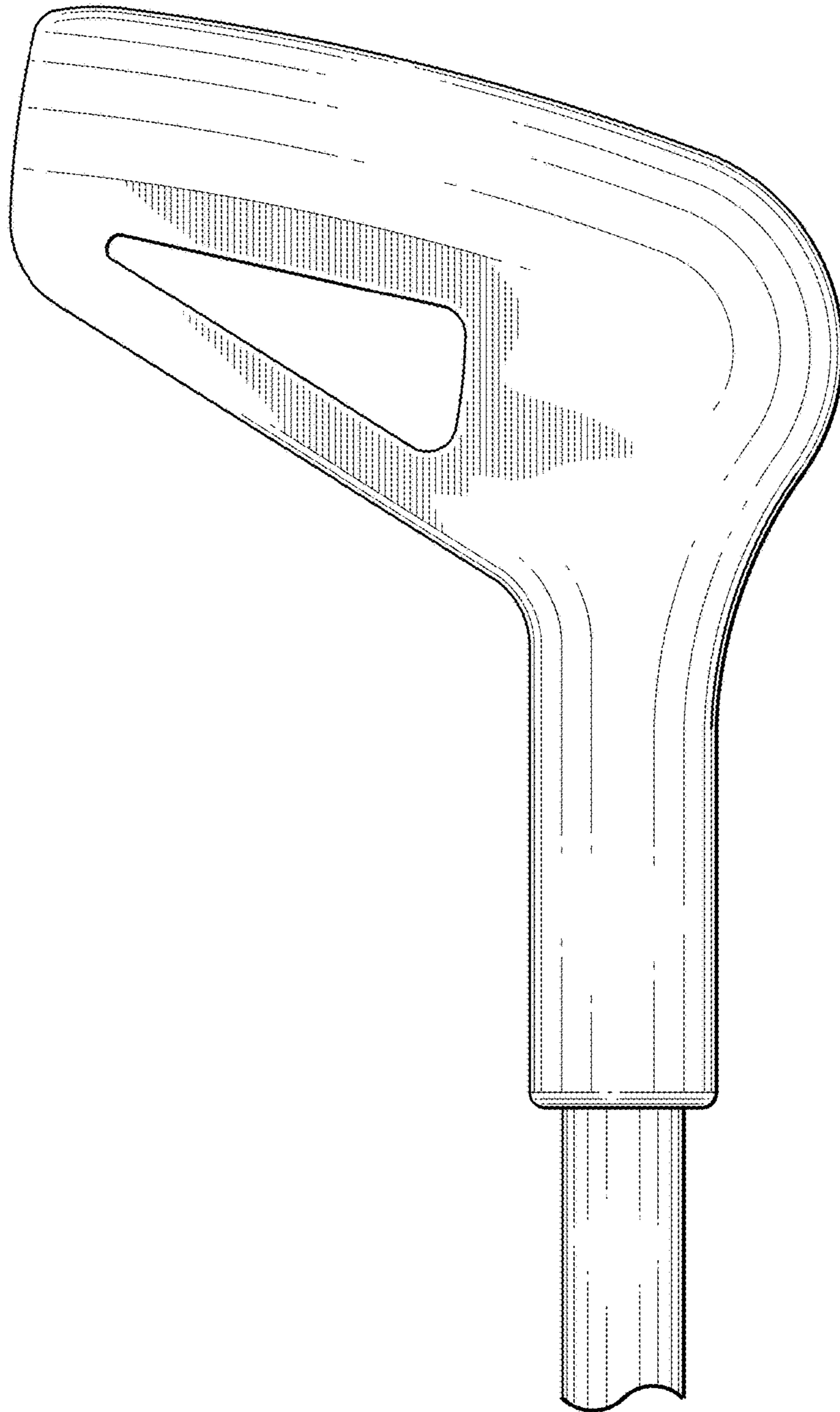


FIG. 5

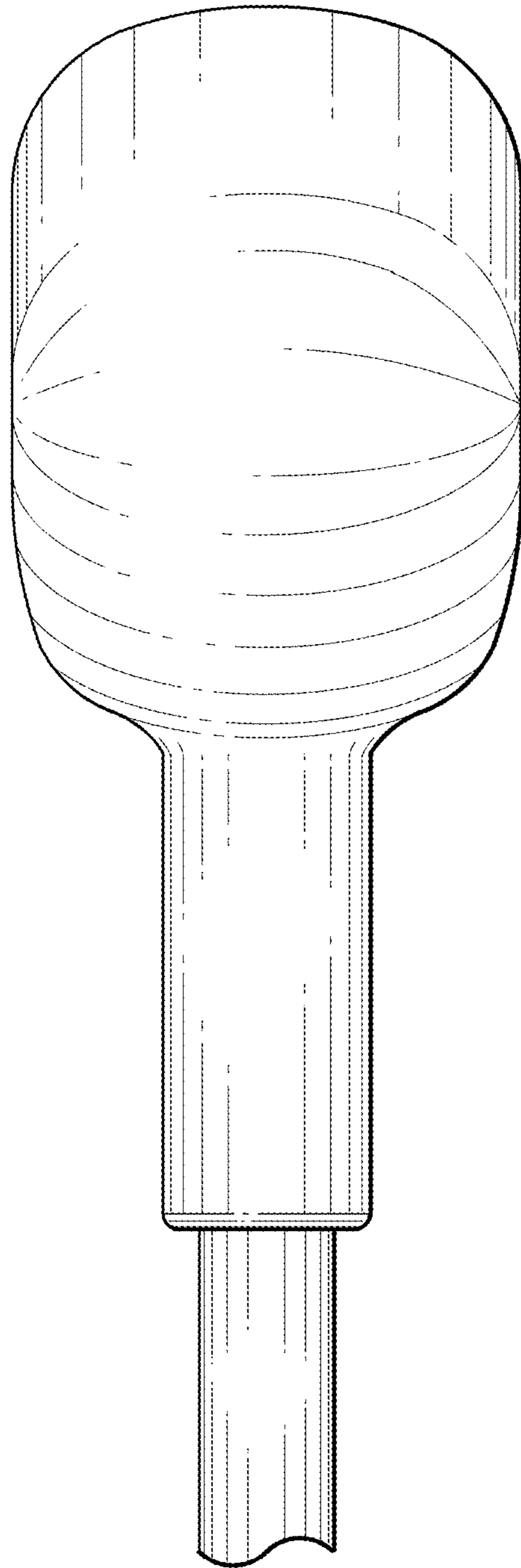


FIG. 6

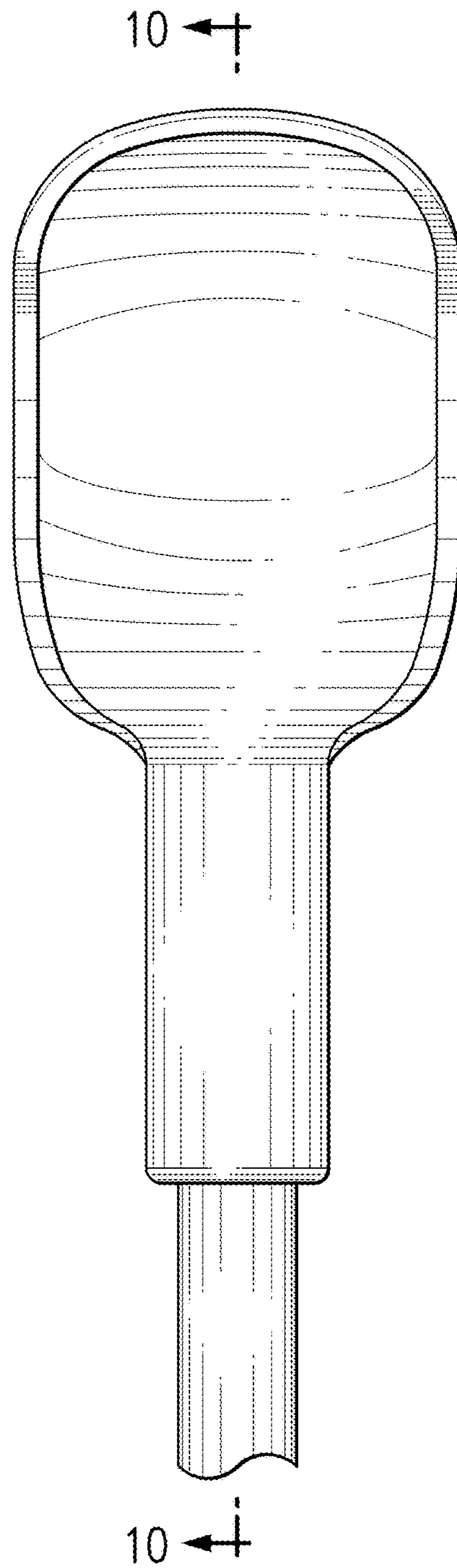


FIG. 7

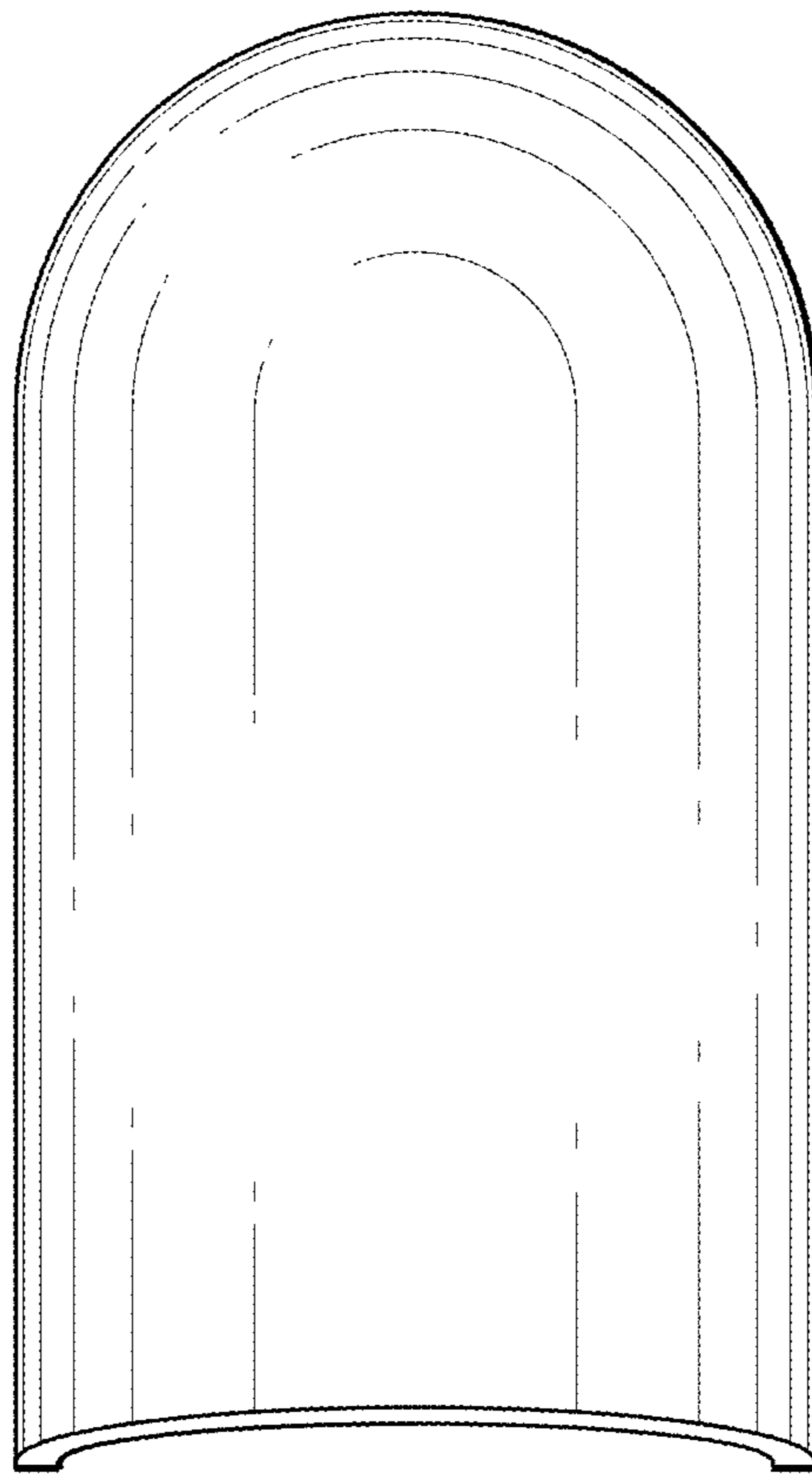


FIG. 8

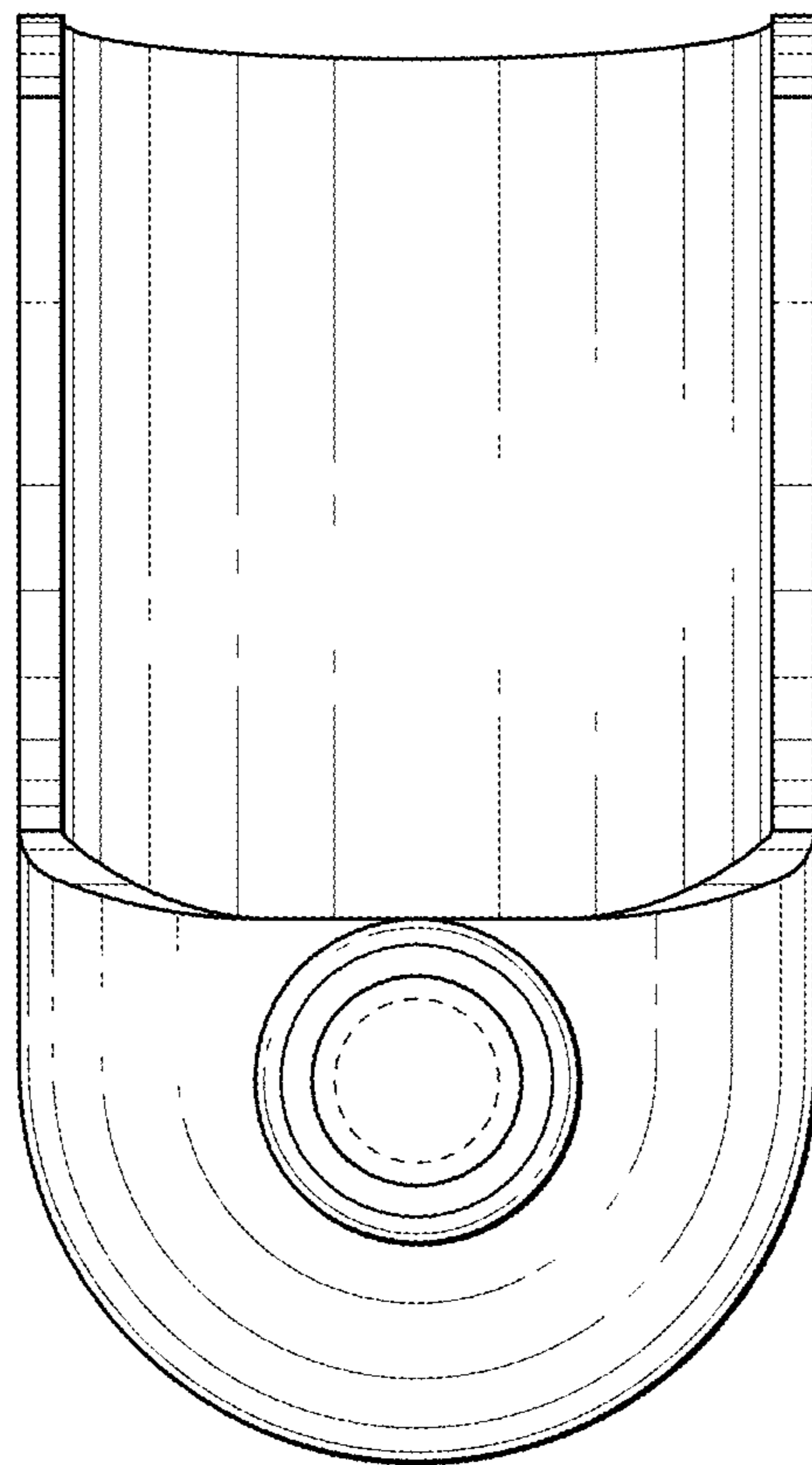


FIG. 9

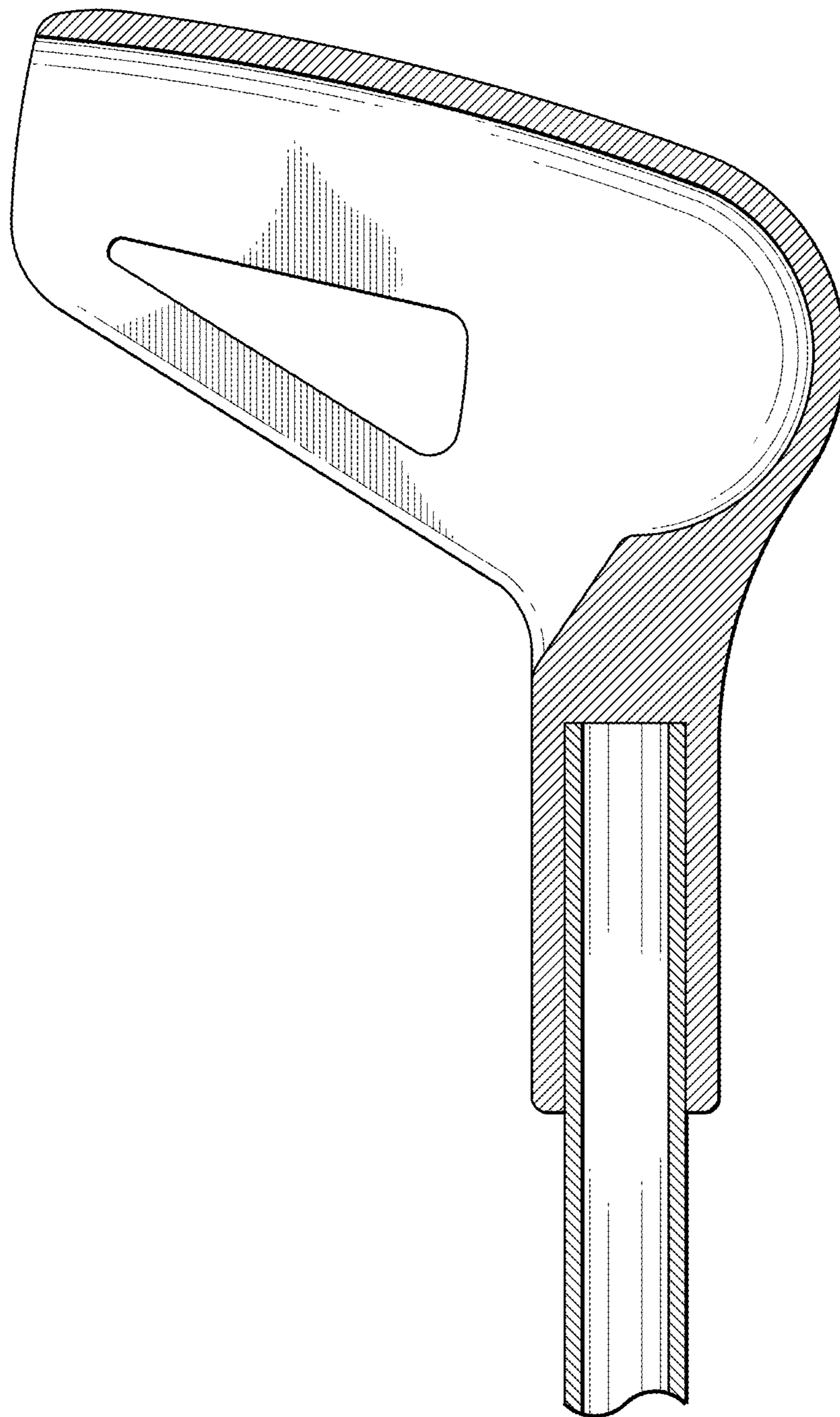


FIG. 10