



US00D784456S

(12) **United States Design Patent**
Hudson

(10) **Patent No.:** **US D784,456 S**

(45) **Date of Patent:** **** Apr. 18, 2017**

(54) **SHUFFLEBOARD**

(71) Applicant: **William Hudson**, Irvine, CA (US)

(72) Inventor: **William Hudson**, Irvine, CA (US)

(**) Term: **15 Years**

(21) Appl. No.: **29/561,141**

(22) Filed: **Apr. 13, 2016**

(51) **LOC (10) Cl.** **21-01**

(52) **U.S. Cl.**
USPC **D21/321**

(58) **Field of Classification Search**
USPC D21/321, 300, 312, 314, 334, 782-784;
273/108, 108.2, 121 R, 121 A, 116 R,
273/122 A, 123 R, 124 R, 124 A, 126 R,
273/DIG. 26; 473/106-114; D6/329
CPC A63B 69/36; A63B 71/00; A63B 71/06;
A63B 71/04; A63F 3/00; A63F 7/00;
A63F 71/0005

See application file for complete search history.

(56) **References Cited**

U.S. PATENT DOCUMENTS

D159,501 S *	8/1950	Mayer et al.	273/126 R
D161,081 S *	12/1950	Bazon	273/126 R
D182,732 S *	5/1958	La Salle et al.	D21/321
3,572,717 A *	3/1971	Anguella	A63F 7/0017
				273/126 R
3,825,264 A *	7/1974	Dockum	A63F 7/0005
				273/126 R
3,865,377 A *	2/1975	Cooper	A63F 7/0005
				273/119 R
3,992,009 A *	11/1976	Trbovich	A63F 7/3603
				273/126 R
4,513,964 A *	4/1985	Gunderson	A63F 7/0017
				273/126 R

5,011,147 A *	4/1991	Thomas	A63B 67/14
				273/126 A
D323,682 S *	2/1992	MacDermott	D21/321
D330,570 S *	10/1992	Maldeney, II	D21/321
D476,697 S *	7/2003	Guridi	D21/321
D638,064 S *	5/2011	McCormick	D21/321

OTHER PUBLICATIONS

Author: Unknown; Title: Brunswick Merrimack Shuffleboard Table; www.everythingbilliards.net/shop/games/brunswick-merrimack-shuffleboard-table/; Publication Date: Sep. 16, 2014.

* cited by examiner

Primary Examiner — Prabhakar Deshmukh
(74) *Attorney, Agent, or Firm* — Eric Karich; Karich & Associates

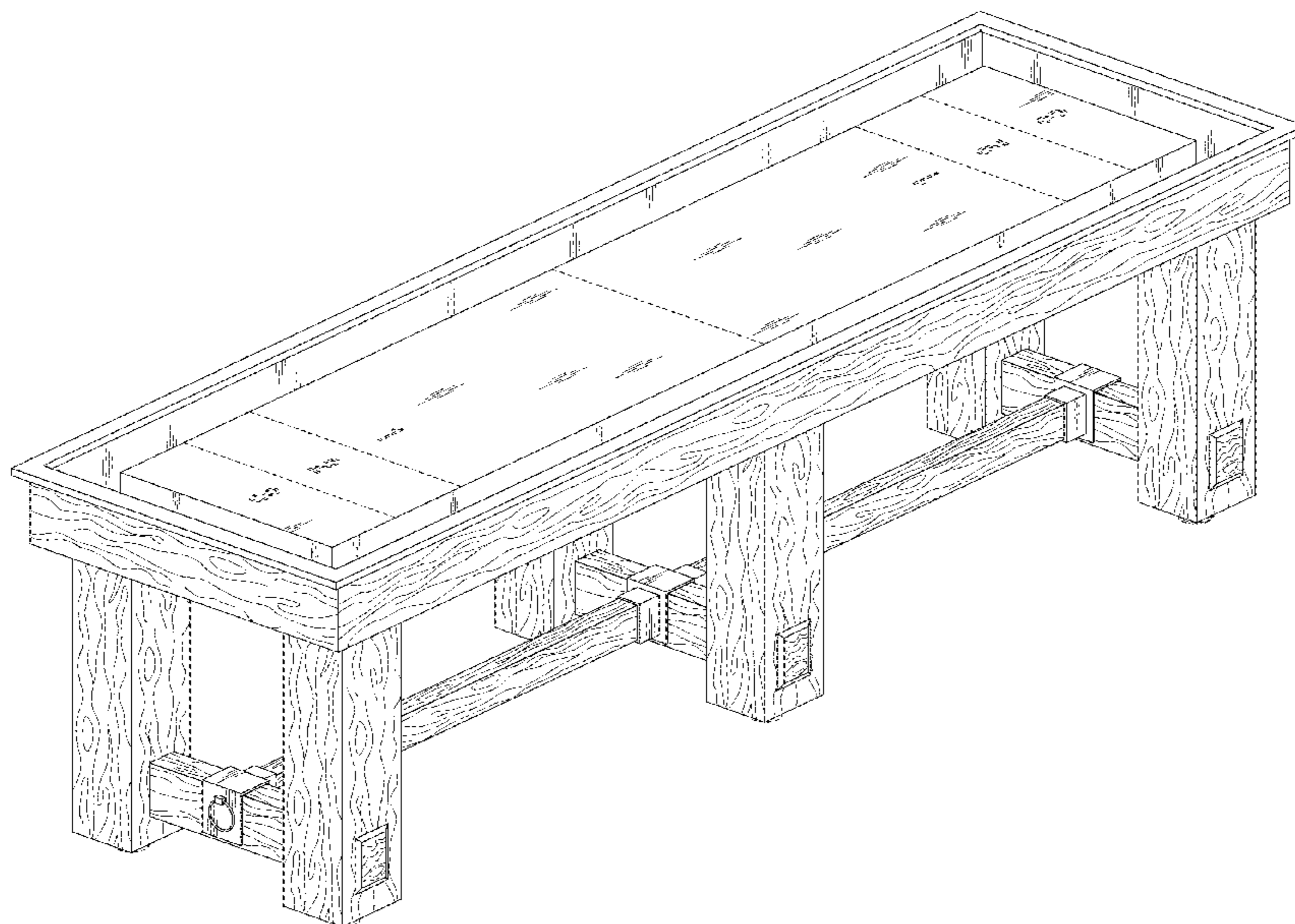
(57) **CLAIM**

The ornamental design for a shuffleboard, as shown and described.

DESCRIPTION

FIG. 1 is a perspective view of a shuffleboard, showing my new design;
FIG. 2 is a front elevational view thereof;
FIG. 3 is a rear elevational view thereof;
FIG. 4 is a left side elevational view thereof;
FIG. 5 is a right side elevational view thereof;
FIG. 6 is a top plan view thereof; and,
FIG. 7 is a bottom plan view thereof.
The broken lines depict portions of the article that form no part of the claimed design.
The texturing depicts a weathered and distressed wood grain.

1 Claim, 4 Drawing Sheets



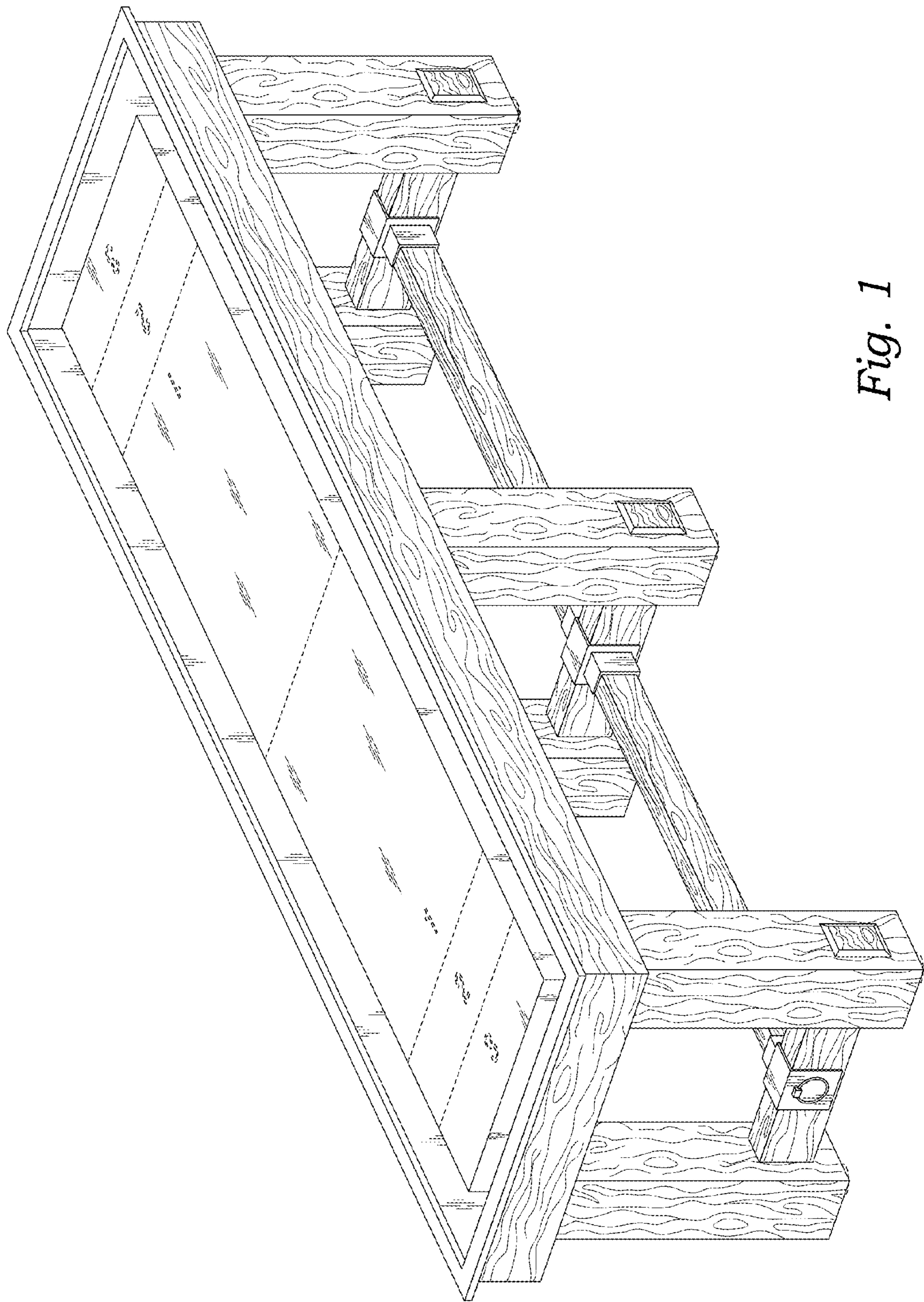


Fig. 1

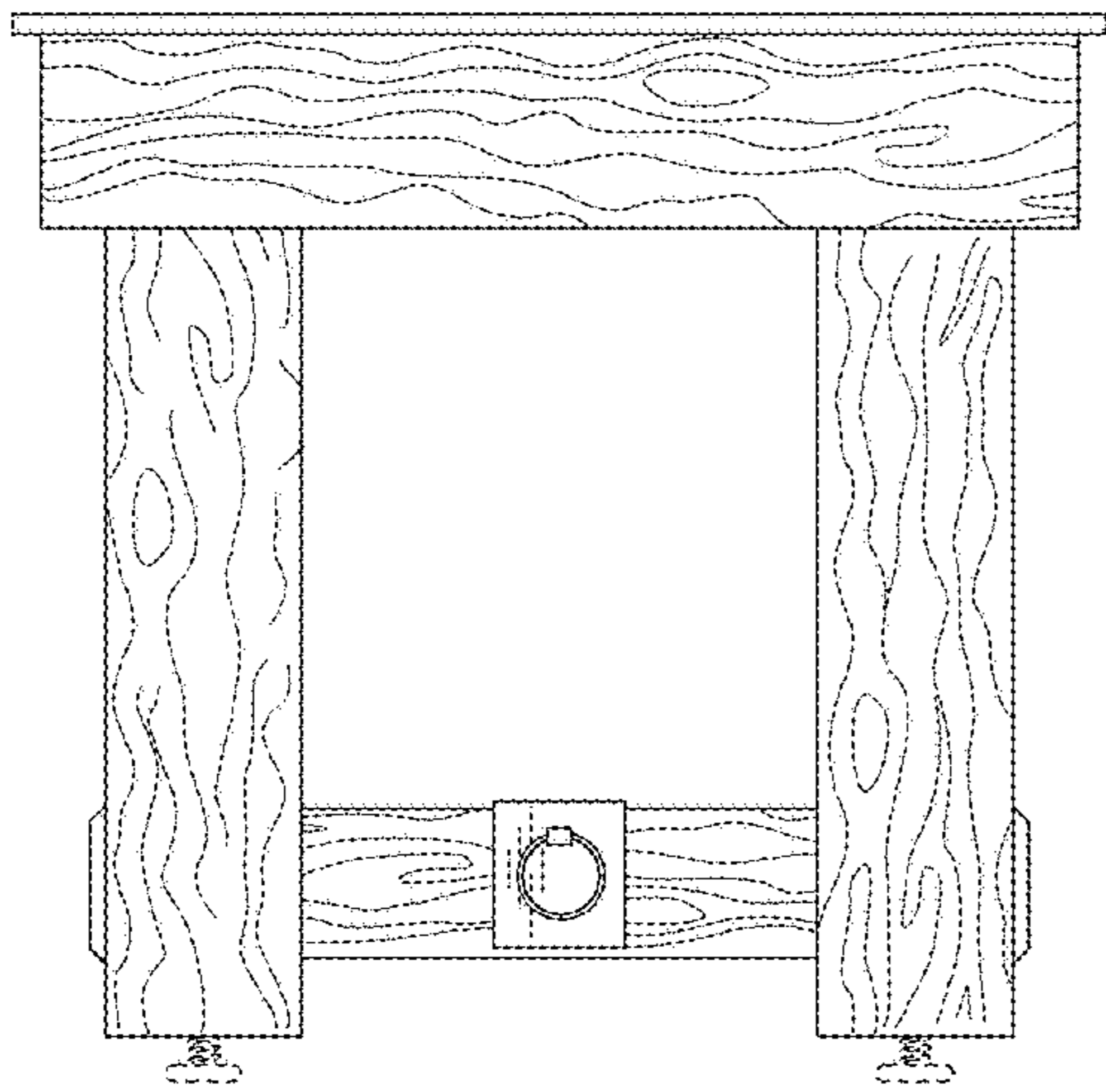


Fig. 2

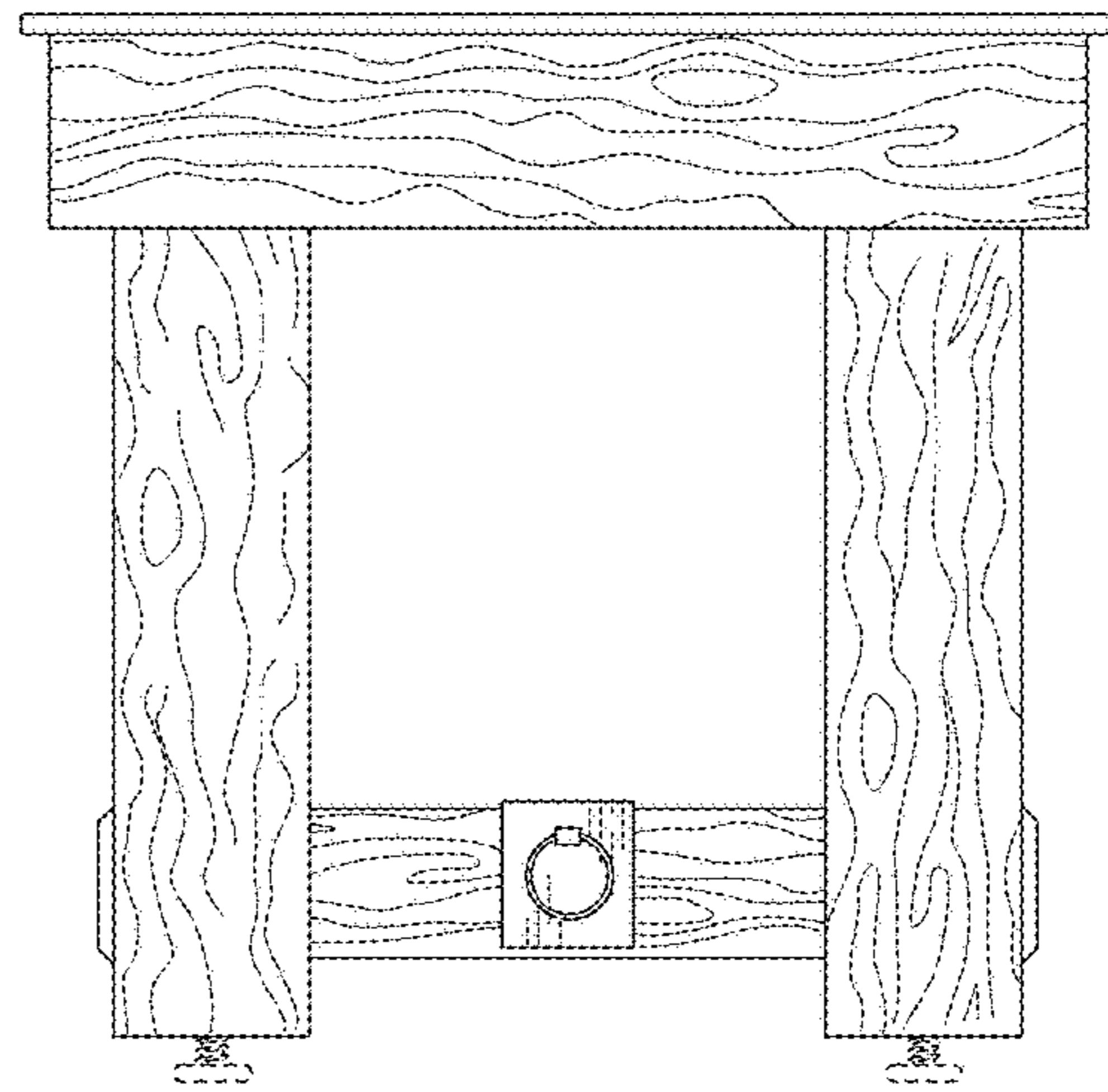


Fig. 3

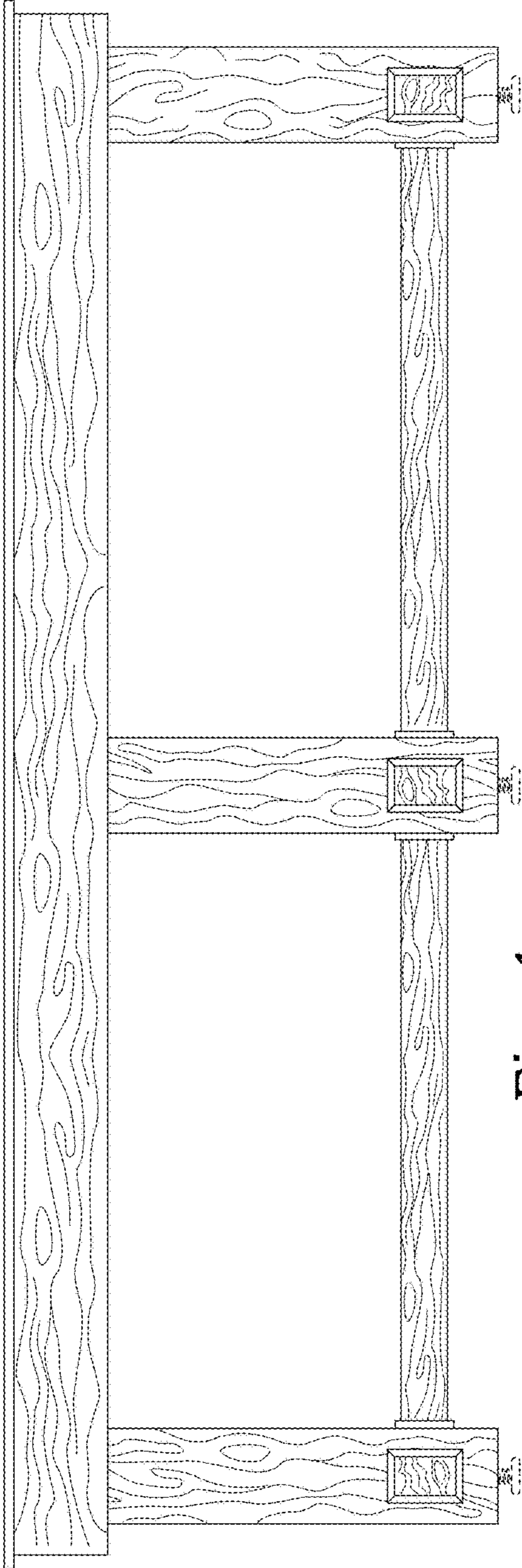


Fig. 4

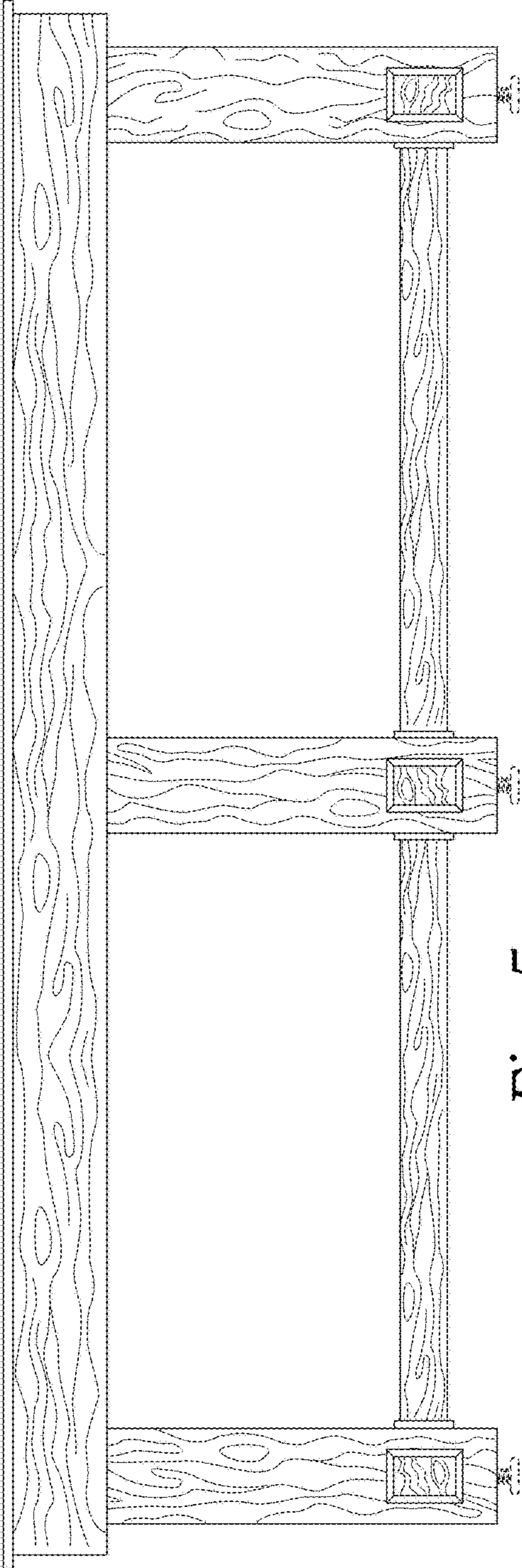


Fig. 5

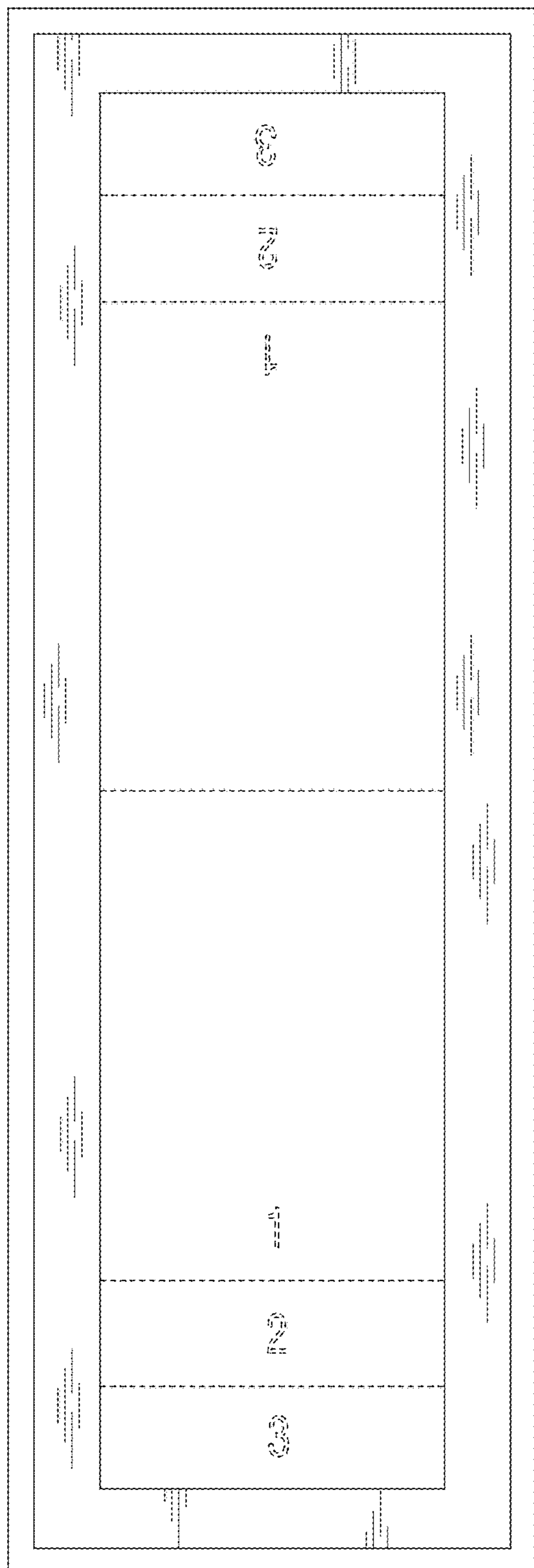


Fig. 6

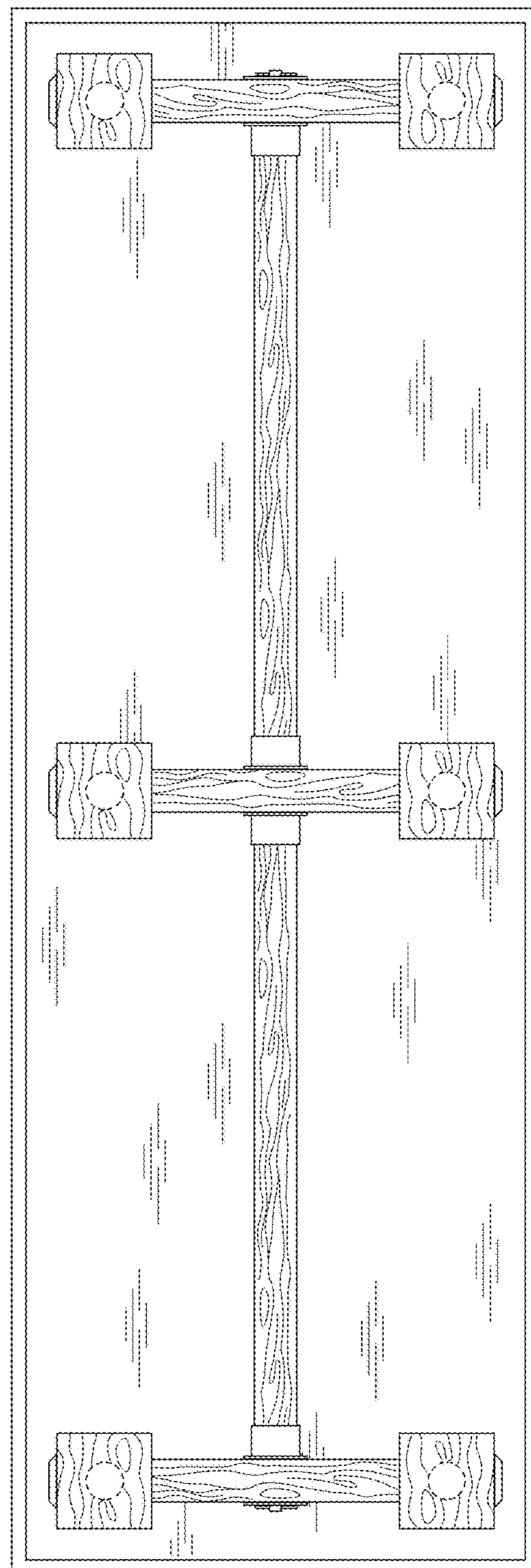


Fig. 7