



US00D784455S

(12) **United States Design Patent** (10) **Patent No.:** **US D784,455 S**  
**Sims et al.** (45) **Date of Patent:** **\*\* Apr. 18, 2017**

- (54) **RAZOR PACKAGE LABEL**
- (71) Applicant: **The Gillette Company**, Boston, MA (US)
- (72) Inventors: **Daniel Jerome Sims**, Brookline, MA (US); **Andrew Anthony Markle**, New York, NY (US)
- (73) Assignee: **The Gillette Company**, Boston, MA (US)
- (\*\*) Term: **15 Years**
- (21) Appl. No.: **29/538,439**
- (22) Filed: **Sep. 3, 2015**

**Related U.S. Application Data**

- (62) Division of application No. 29/476,282, filed on Dec. 12, 2013, now Pat. No. Des. 740,116.
- (51) **LOC (10) Cl.** ..... **19-08**
- (52) **U.S. Cl.**  
USPC ..... **D20/22**
- (58) **Field of Classification Search**  
USPC ..... D5/55, 99; D9/414, 415, 418, 432, D9/434-436, 455-457, 499, 702, 707, D9/748; D19/1, 100; D20/22, 27  
CPC ..... B65D 5/4216; B65D 5/4204; B65D 65/22  
See application file for complete search history.

(56) **References Cited**

**U.S. PATENT DOCUMENTS**

- D64,788 S \* 6/1924 Adam ..... D5/55
- D65,185 S \* 7/1924 Haines ..... D9/700
- D67,875 S 7/1925 Cluett
- D86,129 S 2/1932 Levkoff
- D89,192 S \* 2/1933 Juestrich ..... D5/55
- D102,608 S \* 1/1937 Kaplan ..... D5/99
- D105,355 S 7/1937 Herz

- 2,949,222 A 8/1960 Coe
  - 4,126,220 A 11/1978 Roccaforte
  - D265,551 S 7/1982 Colby et al.
  - D271,943 S 12/1983 Beise et al.
  - D412,535 S \* 8/1999 Tinklenberg ..... D20/22
  - D419,435 S 1/2000 Bonfigli
  - D424,435 S \* 5/2000 Koehn ..... D9/432
- (Continued)

**OTHER PUBLICATIONS**

Kmart. Gillette Sensor2 Base Disposable Razor. Mar. 12, 2012 [earliest online date], [site visited Nov. 16, 2016]. Available from Internet, <URL:http://www.kmart.com/gillette-good-news-razors-disposable-plus-12-razors/p-038W009851911912P>.\*

*Primary Examiner* — Robert M Spear  
*Assistant Examiner* — Darcey E Heflin  
(74) *Attorney, Agent, or Firm* — Joanne N. Pappas; Kevin C. Johnson; Steven W. Miller

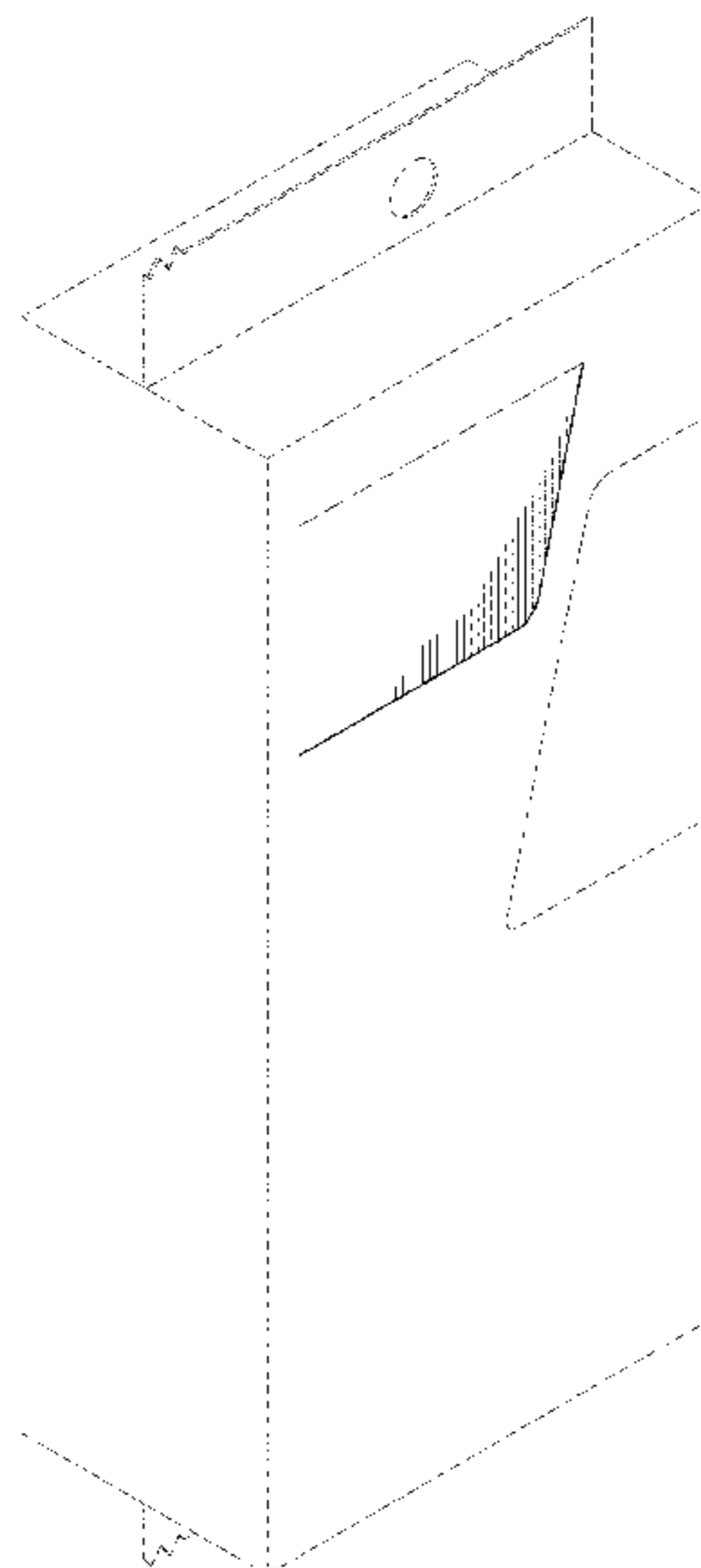
(57) **CLAIM**

The ornamental design for a razor package label, as shown and described.

**DESCRIPTION**

FIG. 1 is a perspective view of a design for a razor package label of the present invention;  
FIG. 2 is a front view thereof;  
FIG. 3 is a back view thereof;  
FIG. 4 is a right side view thereof;  
FIG. 5 is a left side view thereof;  
FIG. 6 is a top view thereof; and,  
FIG. 7 is a bottom view thereof.  
In the drawings, the evenly-spaced broken line showing of portions of a razor package depicts environment and forms no part of the claim; the dash-dot-dash lines represent boundaries of the claimed design and form no part thereof.

**1 Claim, 5 Drawing Sheets**



(56)

**References Cited**

## U.S. PATENT DOCUMENTS

D436,631 S	*	1/2001	Caloia .....	D13/154
D446,114 S		8/2001	Stephens	
D458,123 S		6/2002	Rick et al.	
D463,978 S		10/2002	DiMartino	
D485,172 S		1/2004	Defino, Jr.	
D543,451 S		5/2007	Timmermans et al.	
D552,984 S		10/2007	Baron	
D553,506 S		10/2007	Parenteau	
D560,070 S	*	1/2008	Fujimoto .....	D5/99
D577,581 S		9/2008	Koza	
D594,741 S		6/2009	Bracey	
D611,714 S	*	3/2010	Norman .....	D5/55
D630,024 S	*	1/2011	Norman .....	D5/55
D636,667 S	*	4/2011	Barclay .....	D9/432
D644,120 S		8/2011	Kight et al.	
D651,084 S	*	12/2011	Eaton .....	D9/435
D651,512 S	*	1/2012	Eaton .....	D9/435
D660,909 S		5/2012	Clegg et al.	
D661,183 S	*	6/2012	Villiers .....	D9/434
D668,534 S		10/2012	Collins	
D668,948 S		10/2012	Latrobe	
D673,039 S	*	12/2012	Villiers .....	D9/434
D678,055 S	*	3/2013	Villiers .....	D9/434
D718,125 S		11/2014	Chiang	
D723,936 S		3/2015	Musaliar	
D740,116 S	*	10/2015	Sims .....	D9/434
D751,897 S	*	3/2016	Barad .....	D9/432
D764,919 S	*	8/2016	Damon .....	D9/457

\* cited by examiner

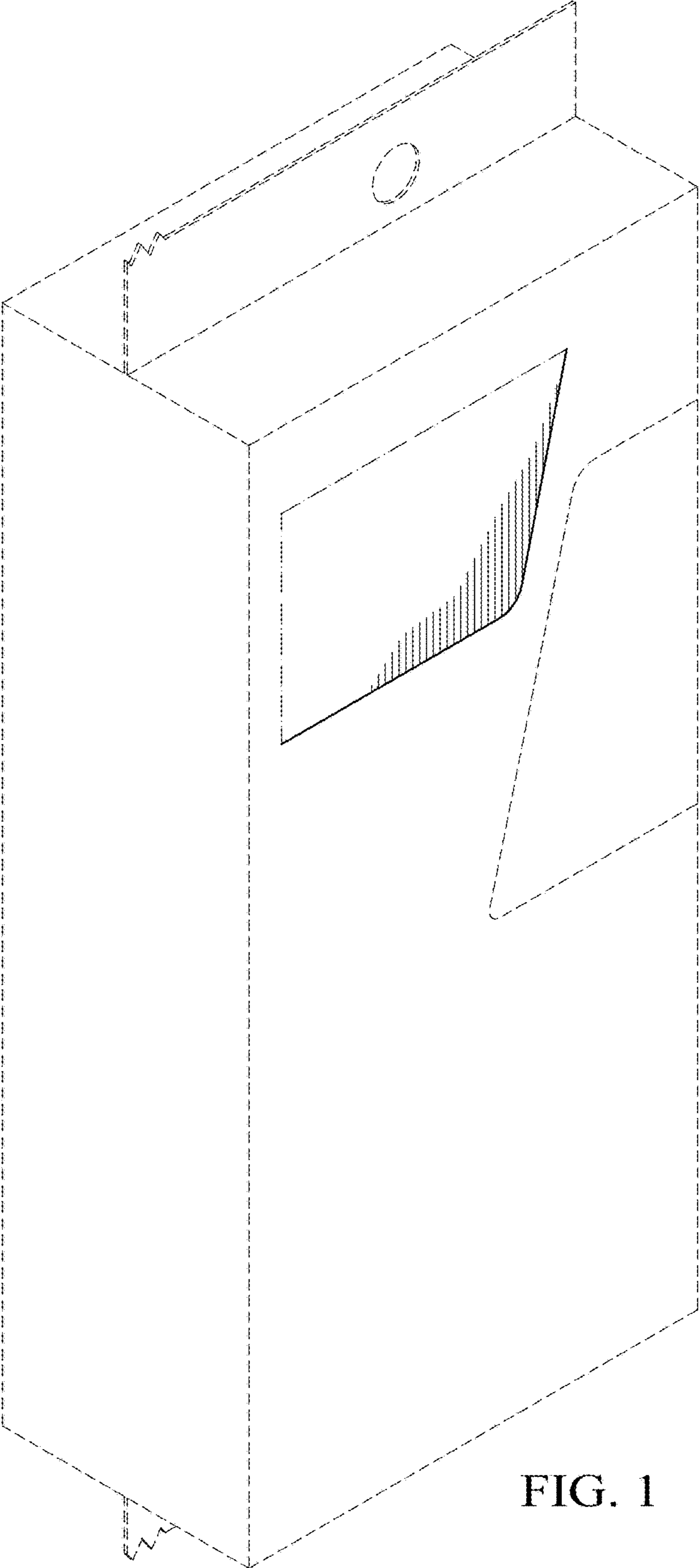


FIG. 1

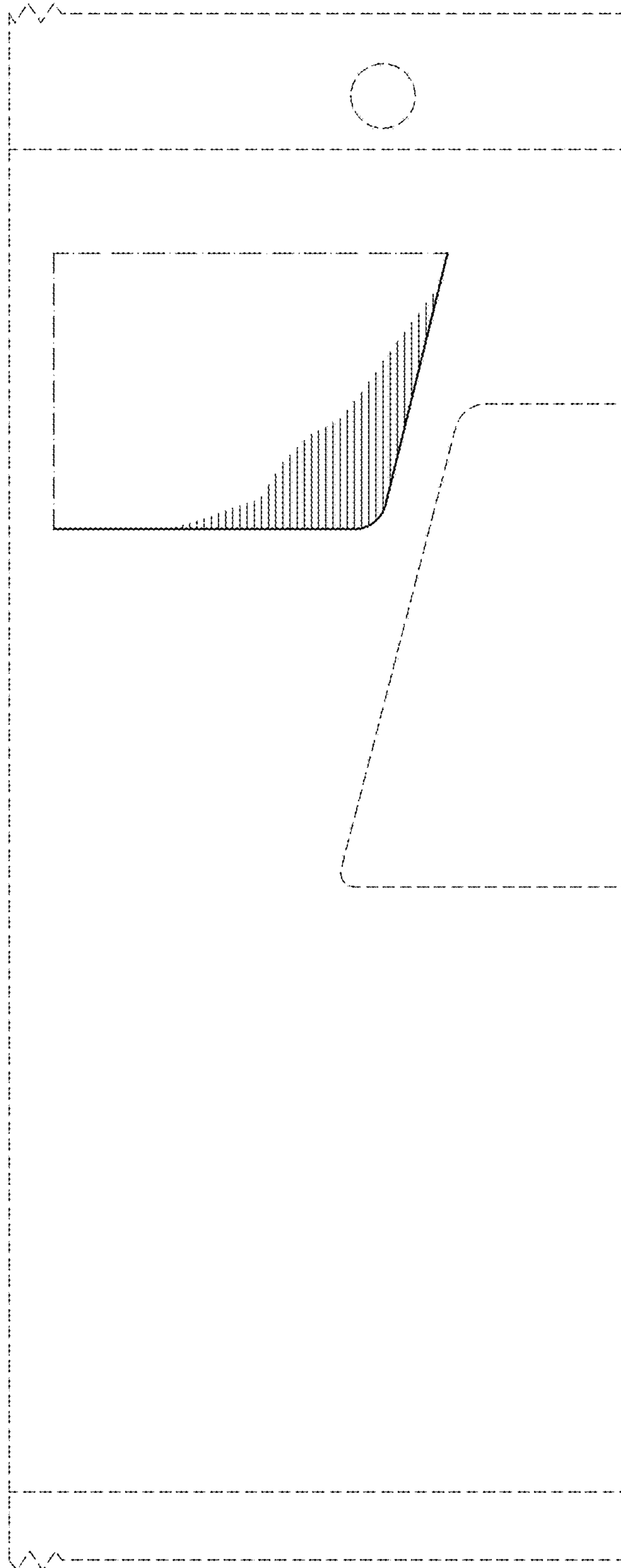


FIG. 2

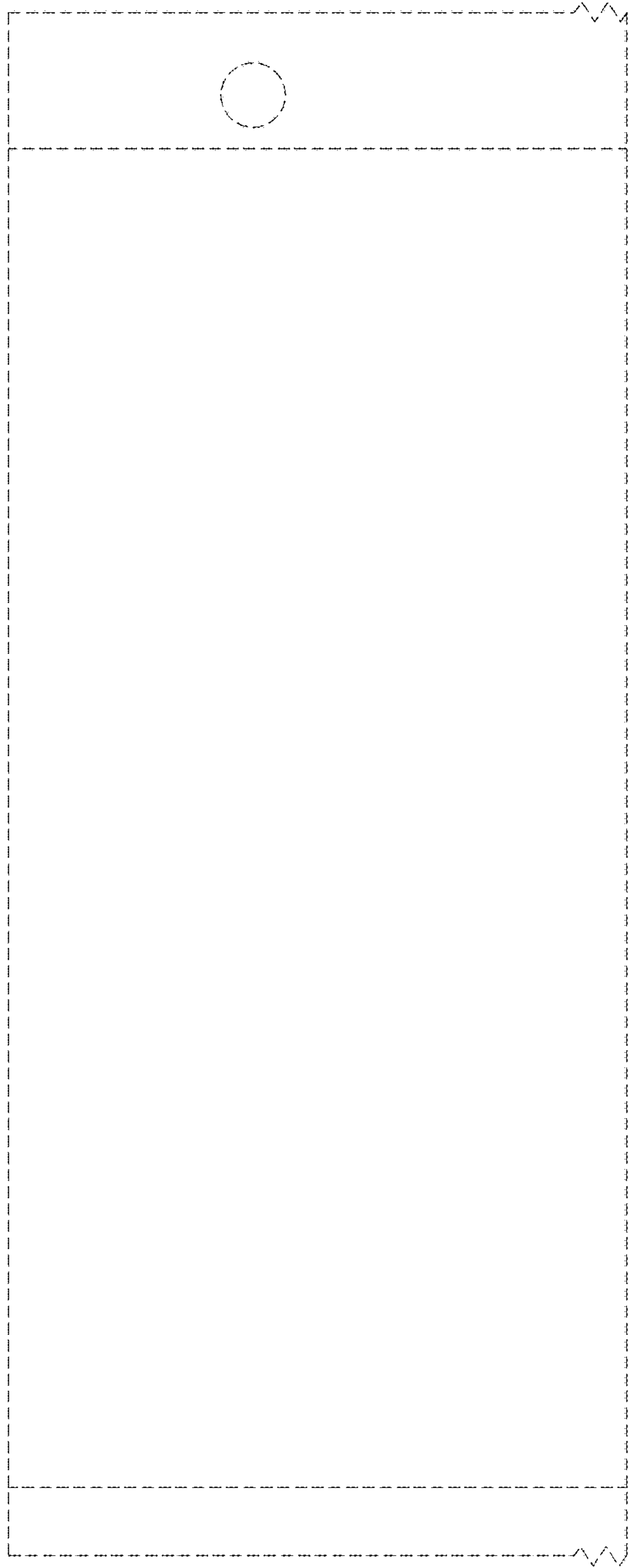


FIG. 3

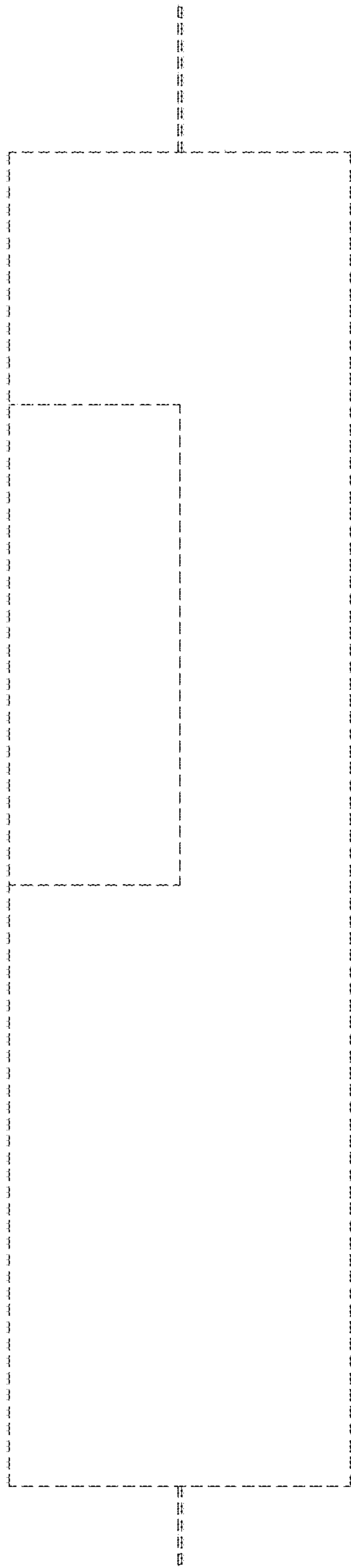


FIG. 4

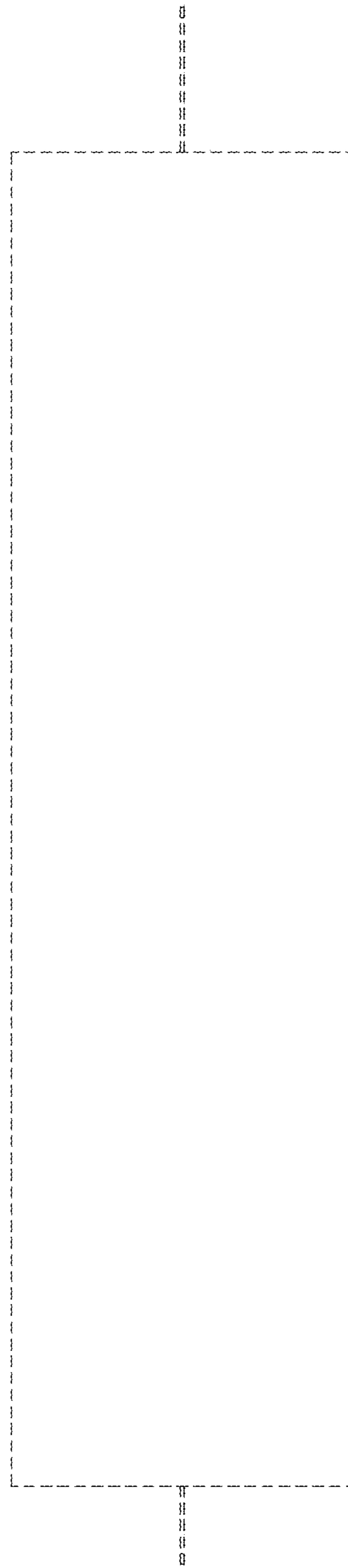


FIG. 5



FIG. 6

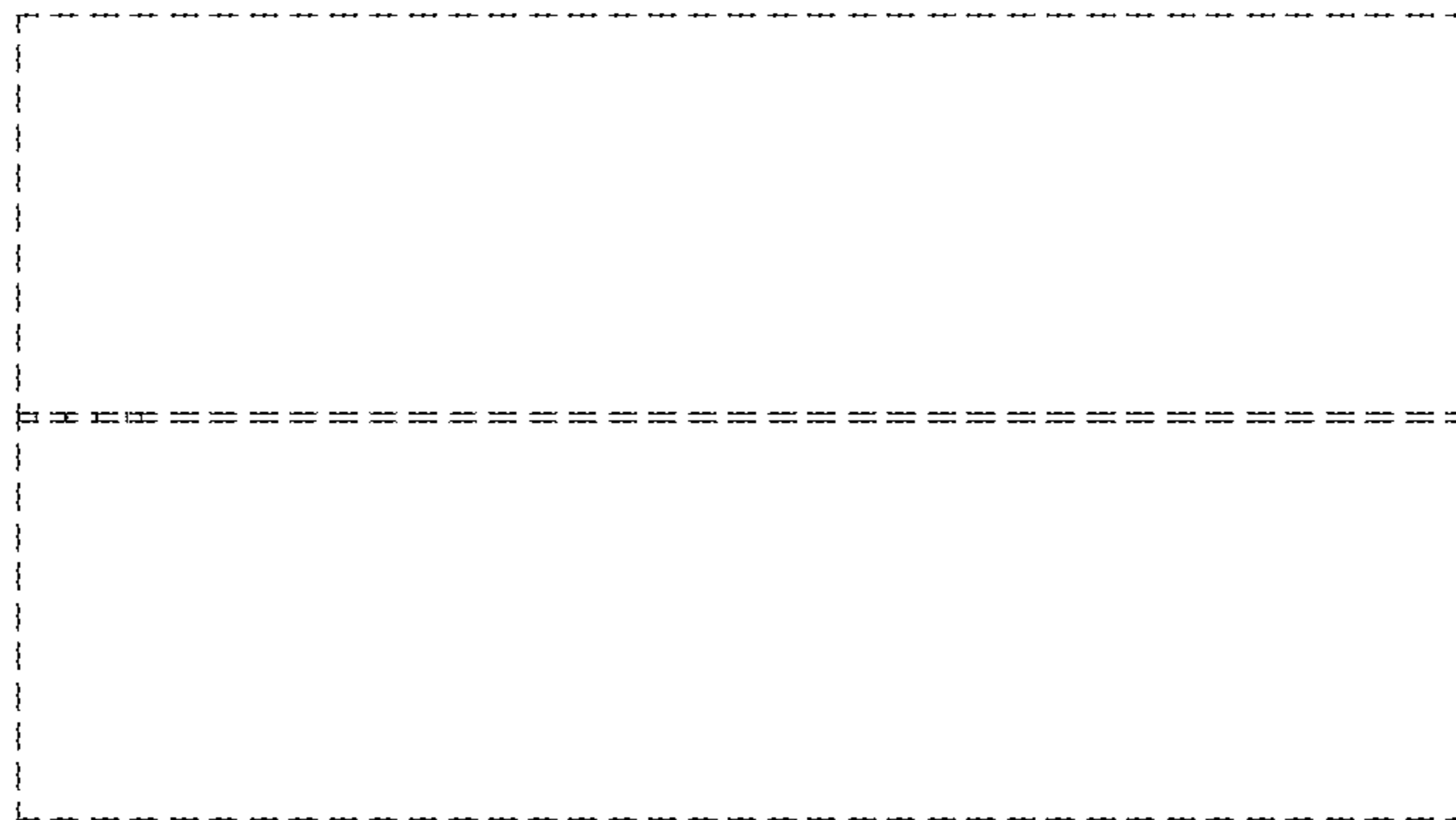


FIG. 7