



US00D784451S

(12) **United States Design Patent**
Miller et al.

(10) **Patent No.: US D784,451 S**

(45) **Date of Patent: ** Apr. 18, 2017**

- (54) **BOARD**
- (71) Applicant: **Handwriting Tree, LLC**, North Potomac, MD (US)
- (72) Inventors: **Larry R. Miller**, North Potomac, MD (US); **Melissa L. Miller**, North Potomac, MD (US)
- (73) Assignee: **Handwriting Tree, LLC**, North Potomac, MD (US)
- (**) Term: **15 Years**
- (21) Appl. No.: **29/552,236**
- (22) Filed: **Jan. 21, 2016**
- (51) **LOC (10) Cl.** **19-06**
- (52) **U.S. Cl.**
USPC **D19/113**
- (58) **Field of Classification Search**
USPC D19/113, 114; D20/10, 19, 39, 40, 41, D20/42; D14/371, 373, 374
CPC .. B43L 1/00; B43L 1/004; B43L 1/008; B43L 1/10; B43L 1/12; B43L 5/00; G06F 3/041; G06F 3/045; G06F 3/046; G09F 15/00; G09F 15/0006; G09F 15/0012; G09F 15/0018; G09F 15/0056; G09F 2007/1834; G09F 2007/1843; G09F 2007/1847; G09F 7/04
See application file for complete search history.

- (56) **References Cited**
U.S. PATENT DOCUMENTS
2,965,978 A * 12/1960 Olson G09B 1/08 116/306
3,597,869 A * 8/1971 Ruyle A47G 1/0605 40/763
3,668,799 A * 6/1972 Sharron A47G 1/0605 40/759

- 3,988,845 A * 11/1976 Boatman G09F 7/04 40/542
- 4,133,123 A * 1/1979 Anderson G09F 7/02 40/1
- 4,161,834 A * 7/1979 Hendricks, Jr. G09F 15/0006 248/475.1
- D274,728 S * 7/1984 Shibata D14/375
- 4,639,720 A * 1/1987 Rympalski G06F 3/033 341/33
- D299,254 S * 1/1989 Martin D20/42
- 4,814,760 A * 3/1989 Johnston G06F 3/0412 178/18.01
- 5,508,720 A * 4/1996 DiSanto G06F 1/1632 345/107
- D371,393 S * 7/1996 McMillan D20/42
- D377,948 S * 2/1997 Pruhs D19/113
- D397,679 S * 9/1998 Hawkins D14/342
- D408,021 S * 4/1999 Haitani D14/345
- D423,468 S * 4/2000 Jenkins D14/342

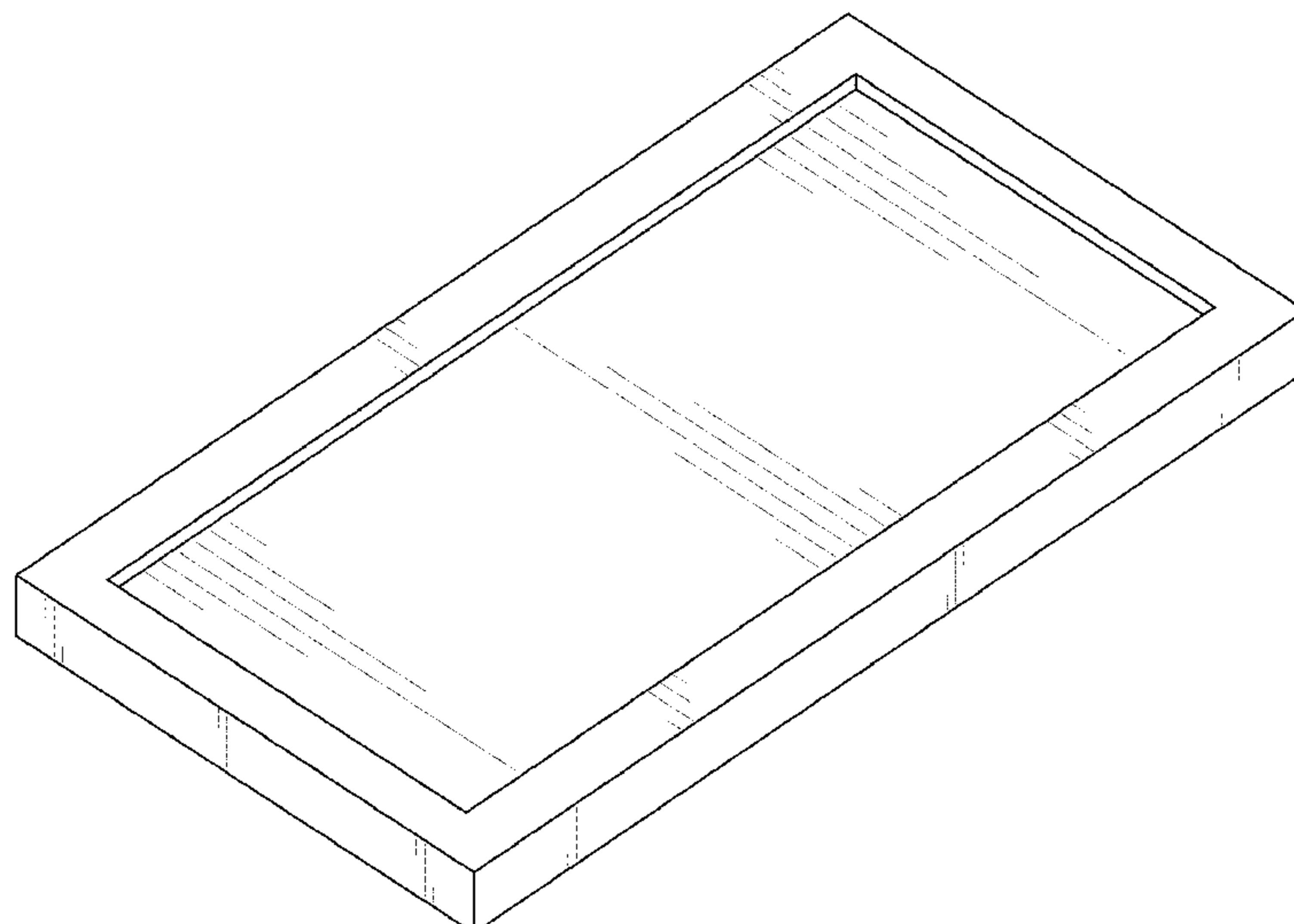
(Continued)

Primary Examiner — Elizabeth Albert
(74) *Attorney, Agent, or Firm* — Jill A. Jacobson

(57) **CLAIM**
We claim the ornamental design for a board, as shown and described.

DESCRIPTION
FIG. 1 is a top perspective view of a board showing our new design;
FIG. 2 is a bottom perspective view thereof;
FIG. 3 is a top plan view thereof;
FIG. 4 is a bottom plan view thereof;
FIG. 5 is a right side elevation view thereof;
FIG. 6 is a left side elevation view thereof;
FIG. 7 is a rear elevation view thereof;
FIG. 8 is a front elevation view thereof; and,
FIG. 9 is a top perspective view thereof in use.
The broken lines in FIG. 9 are included to show environmental matter that forms no part of the claimed design.

1 Claim, 7 Drawing Sheets



(56)

References Cited

U.S. PATENT DOCUMENTS

D434,034 S * 11/2000 Burke D14/341
D438,848 S * 3/2001 Kita D14/126
6,470,612 B1 * 10/2002 Pountney F16B 5/02
40/607.13
D466,115 S * 11/2002 Hawkins D14/341
6,974,290 B2 * 12/2005 Pountney F16B 5/0233
411/178
7,293,993 B2 * 11/2007 Fedorov G09F 7/04
434/408
RE40,740 E * 6/2009 Oueslati G06F 1/1626
345/161
7,864,158 B1 * 1/2011 McGeever G05B 19/409
345/158
9,361,812 B2 * 6/2016 Blume G09F 3/04
D762,772 S * 8/2016 Tsuruoka D14/371
2005/0132625 A1 * 6/2005 Schwester G09F 13/04
40/564
2016/0347112 A1 * 12/2016 Chow B43L 1/00
2016/0363831 A1 * 12/2016 Ash G02F 1/157

* cited by examiner

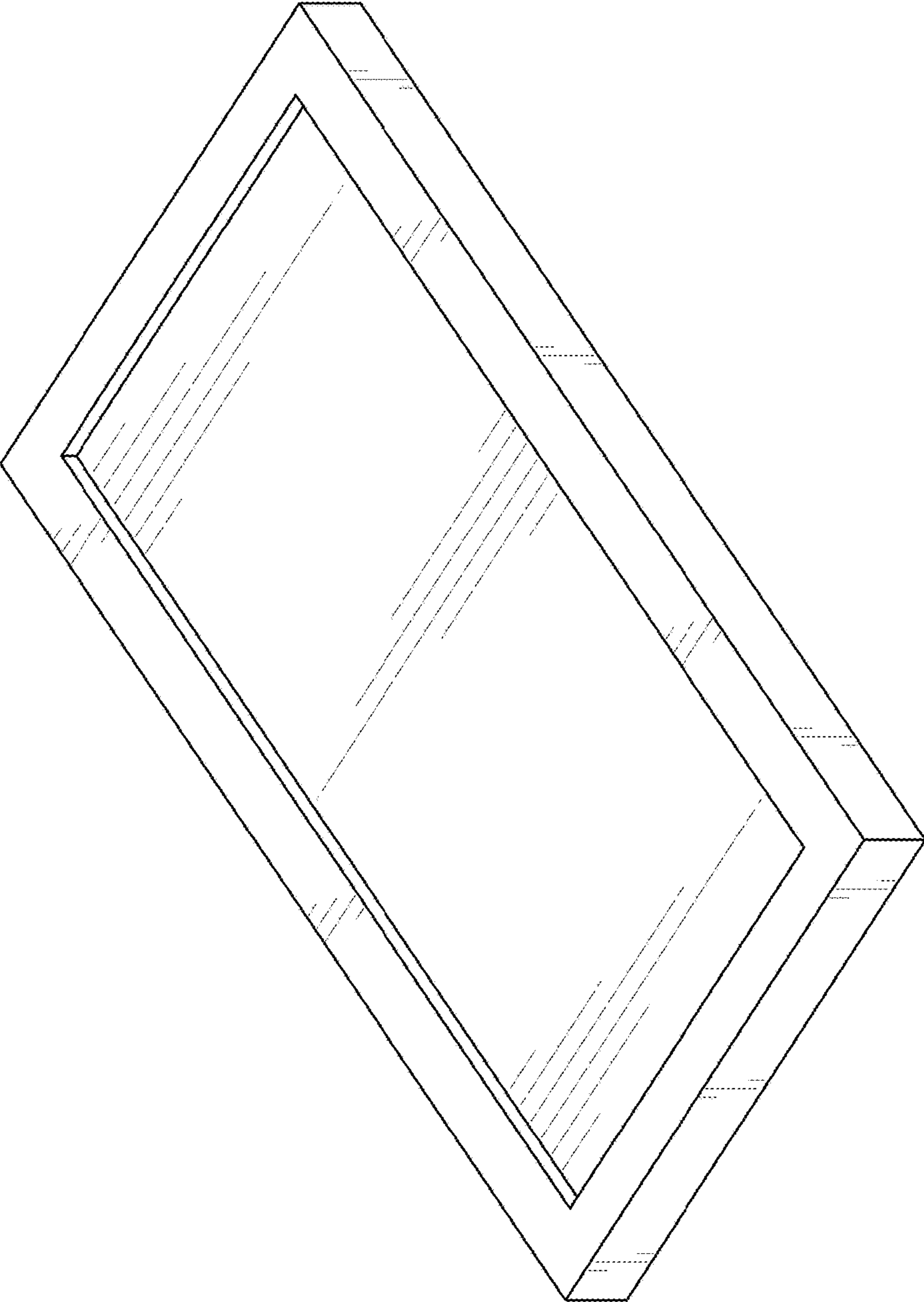


FIG. 1

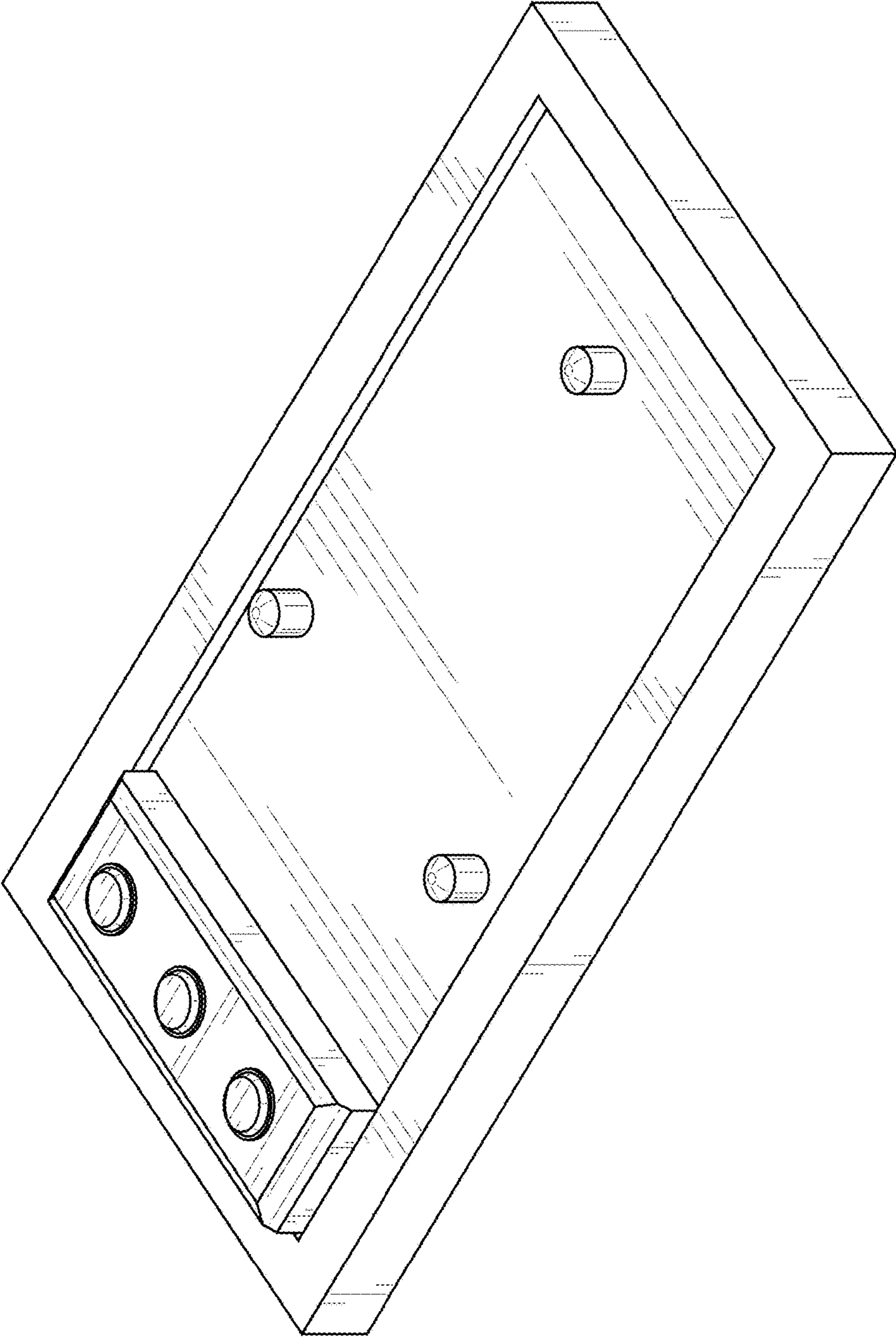


FIG. 2

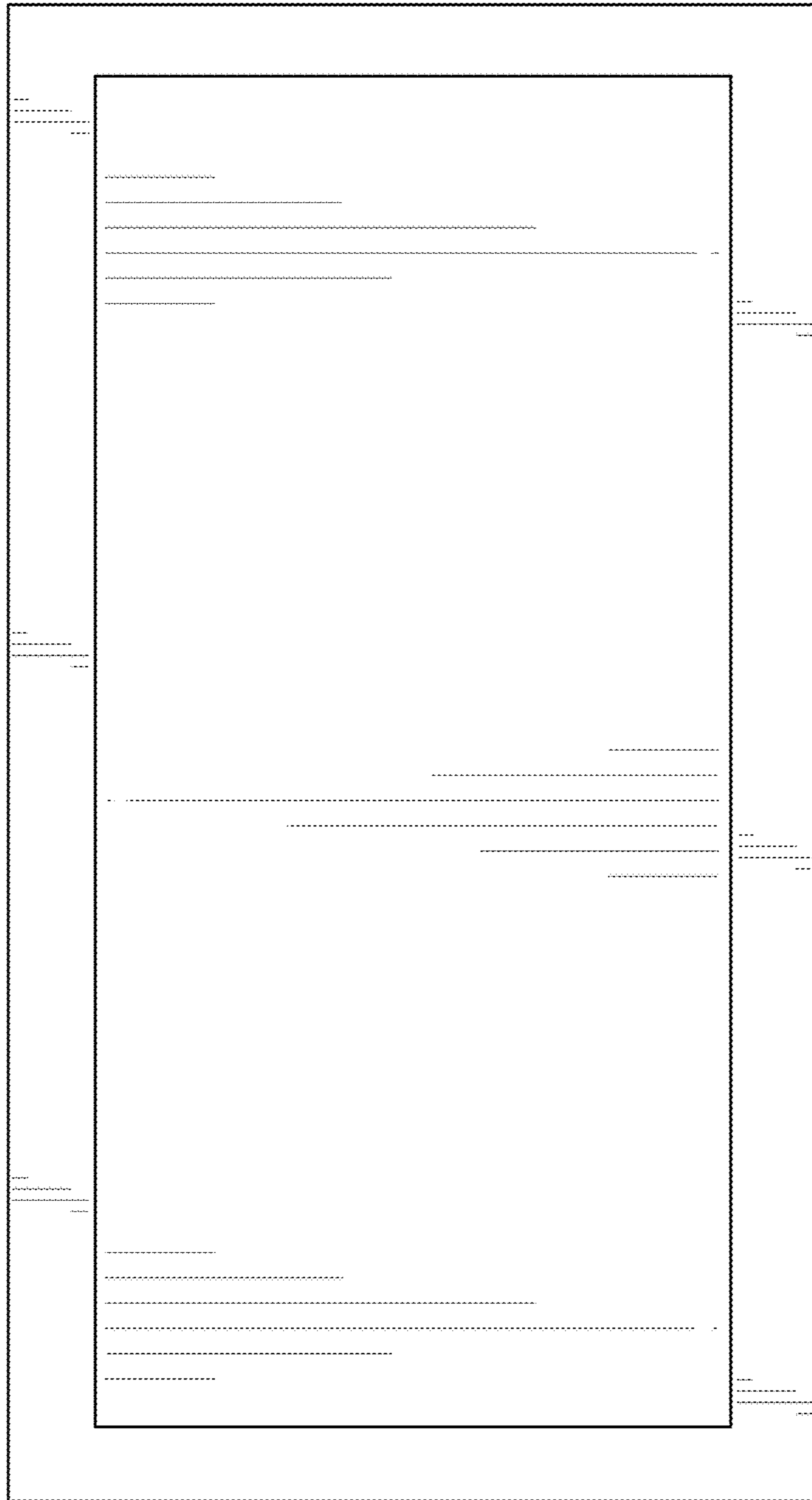


FIG. 3

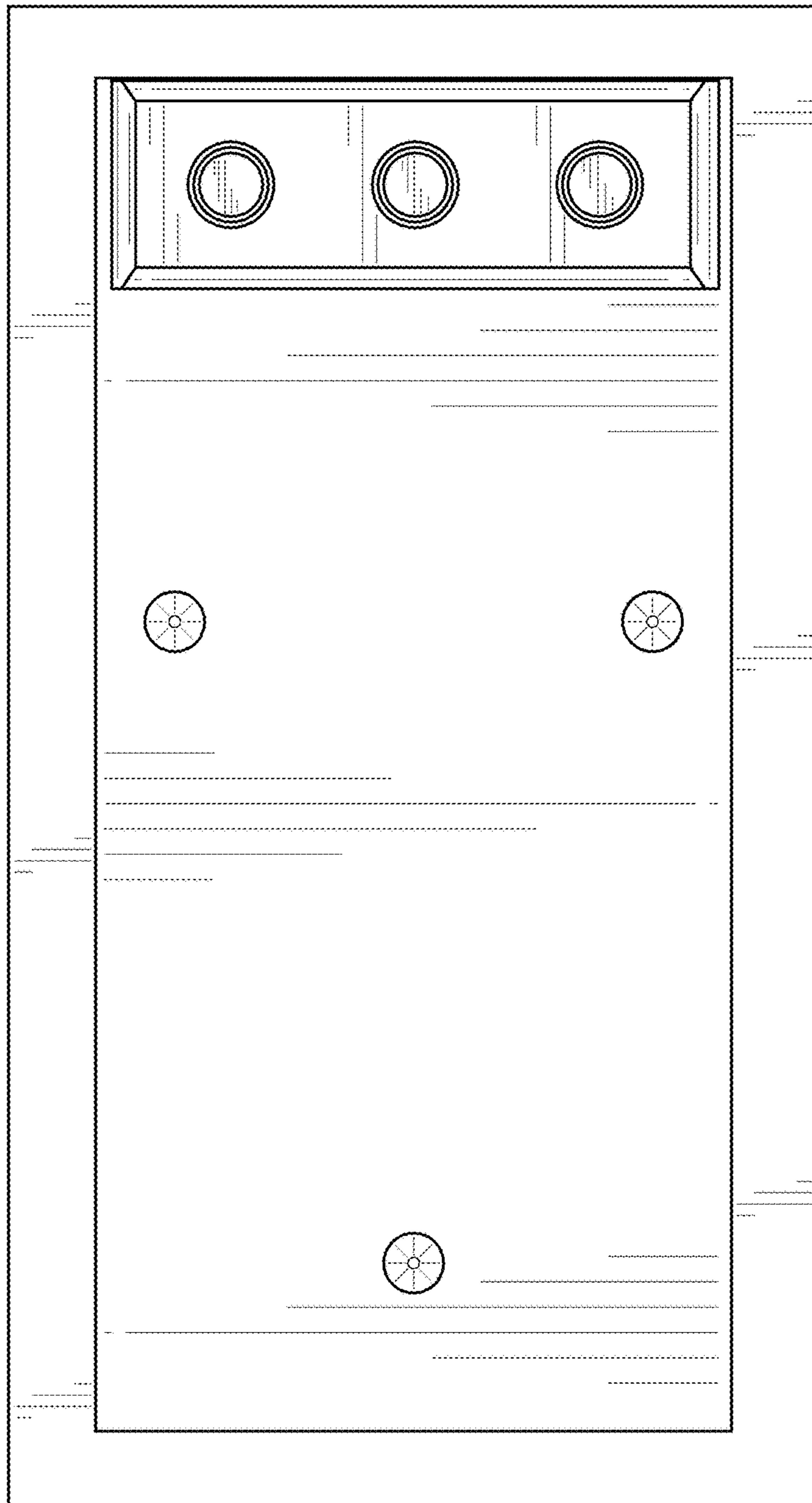


FIG. 4

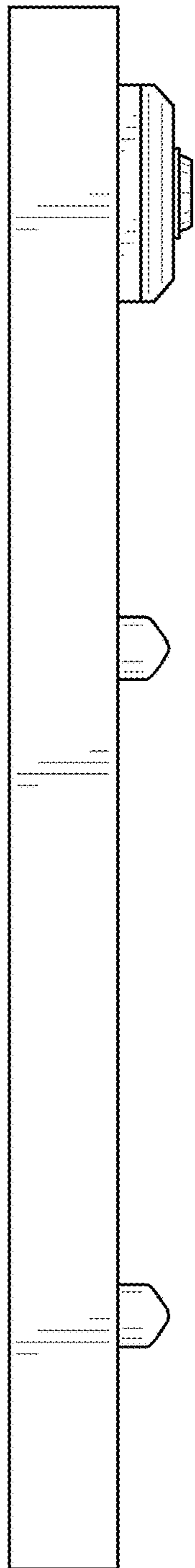


FIG. 5

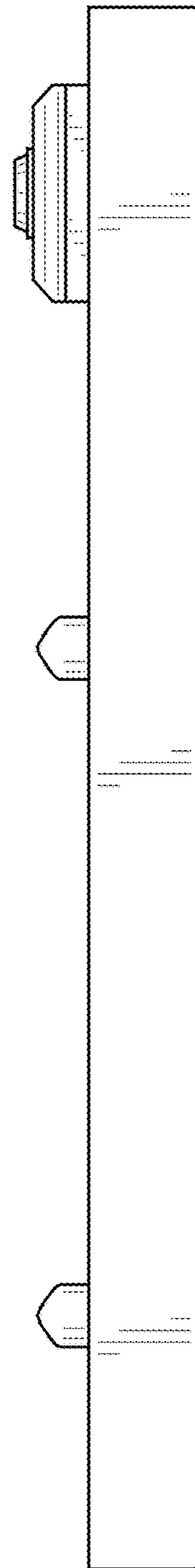


FIG. 6

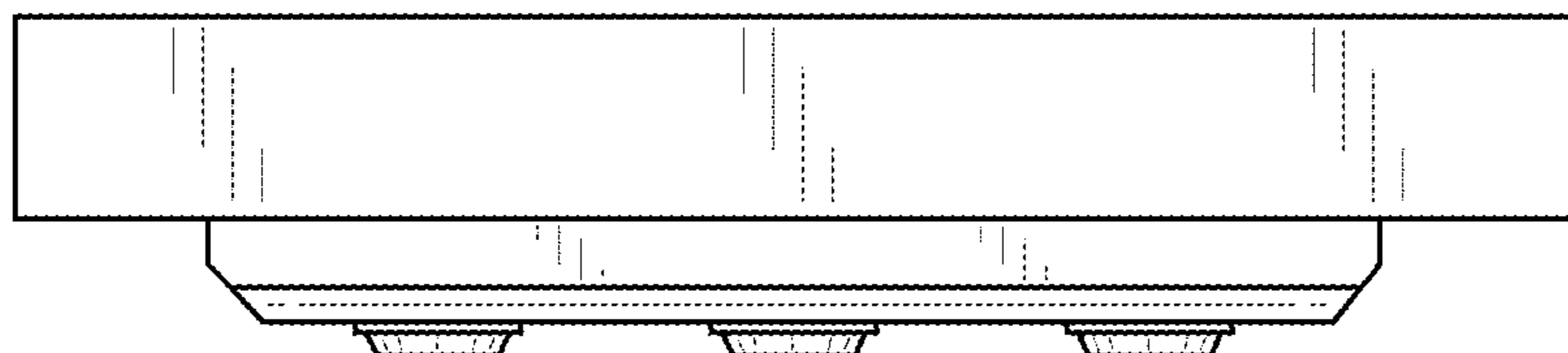


FIG. 7

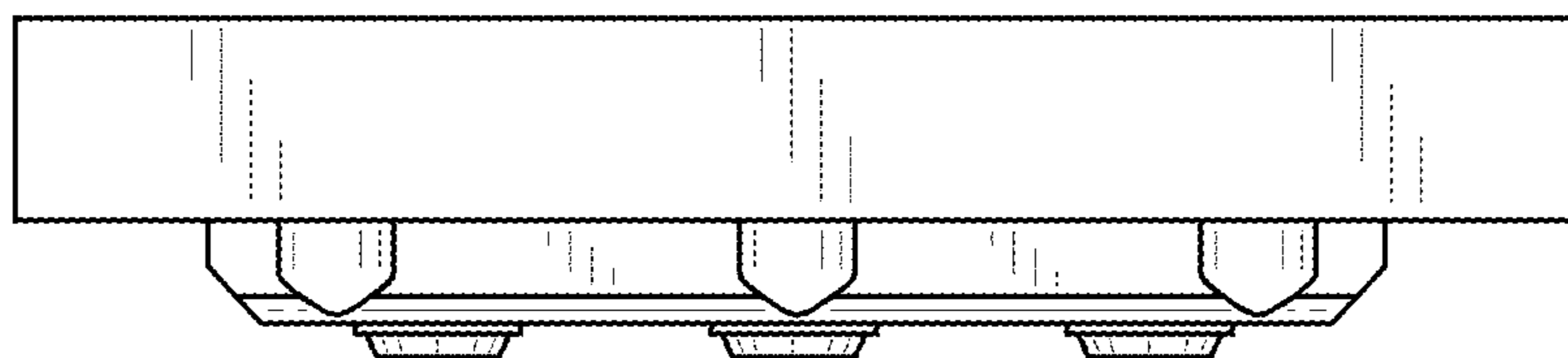


FIG. 8

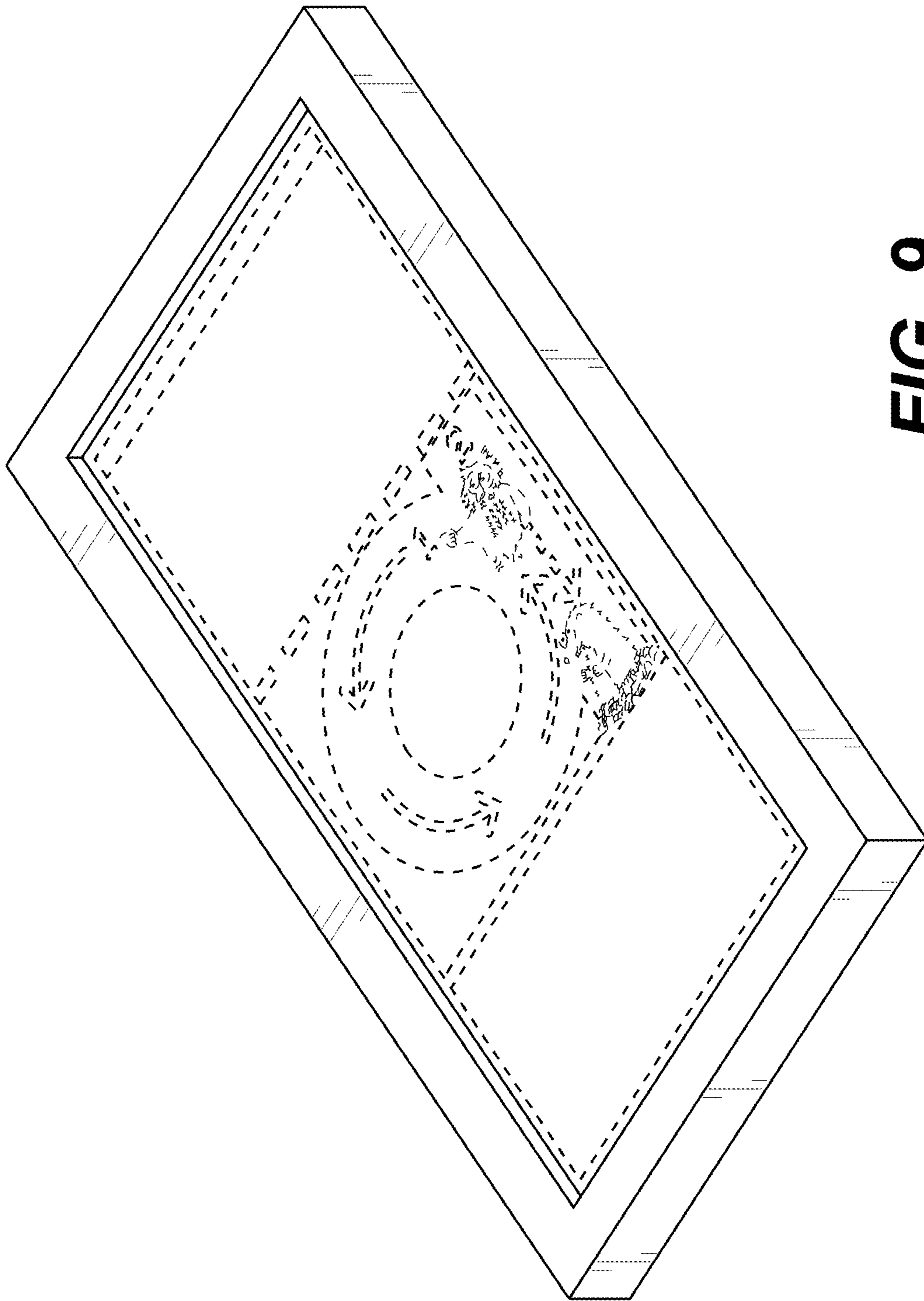


FIG. 9