



US00D784450S

(12) **United States Design Patent**  
**Miller et al.**

(10) **Patent No.:** **US D784,450 S**  
(45) **Date of Patent:** **\*\* Apr. 18, 2017**

(54) **HANDWRITING CARD SET**

**DESCRIPTION**

- (71) Applicant: **Handwriting Tree, LLC**, North Potomac, MD (US)
- (72) Inventors: **Larry R. Miller**, North Potomac, MD (US); **Melissa L. Miller**, North Potomac, MD (US)
- (73) Assignee: **Handwriting Tree, LLC**, North Potomac, MD (US)
- (\*\*) Term: **15 Years**
- (21) Appl. No.: **29/552,275**
- (22) Filed: **Jan. 21, 2016**
- (51) **LOC (10) Cl.** ..... **19-07**
- (52) **U.S. Cl.**  
USPC ..... **D19/62**
- (58) **Field of Classification Search**  
USPC ..... D19/59-64, 1, 7, 27; D18/26, 27;  
434/159-166, 168, 170-172, 327, 155;  
(Continued)

(56) **References Cited**

**U.S. PATENT DOCUMENTS**

- 2,693,963 A \* 11/1954 Moscato ..... A63F 9/10  
273/157 R
- 3,731,402 A \* 5/1973 Paul ..... G09B 11/04  
434/164

(Continued)

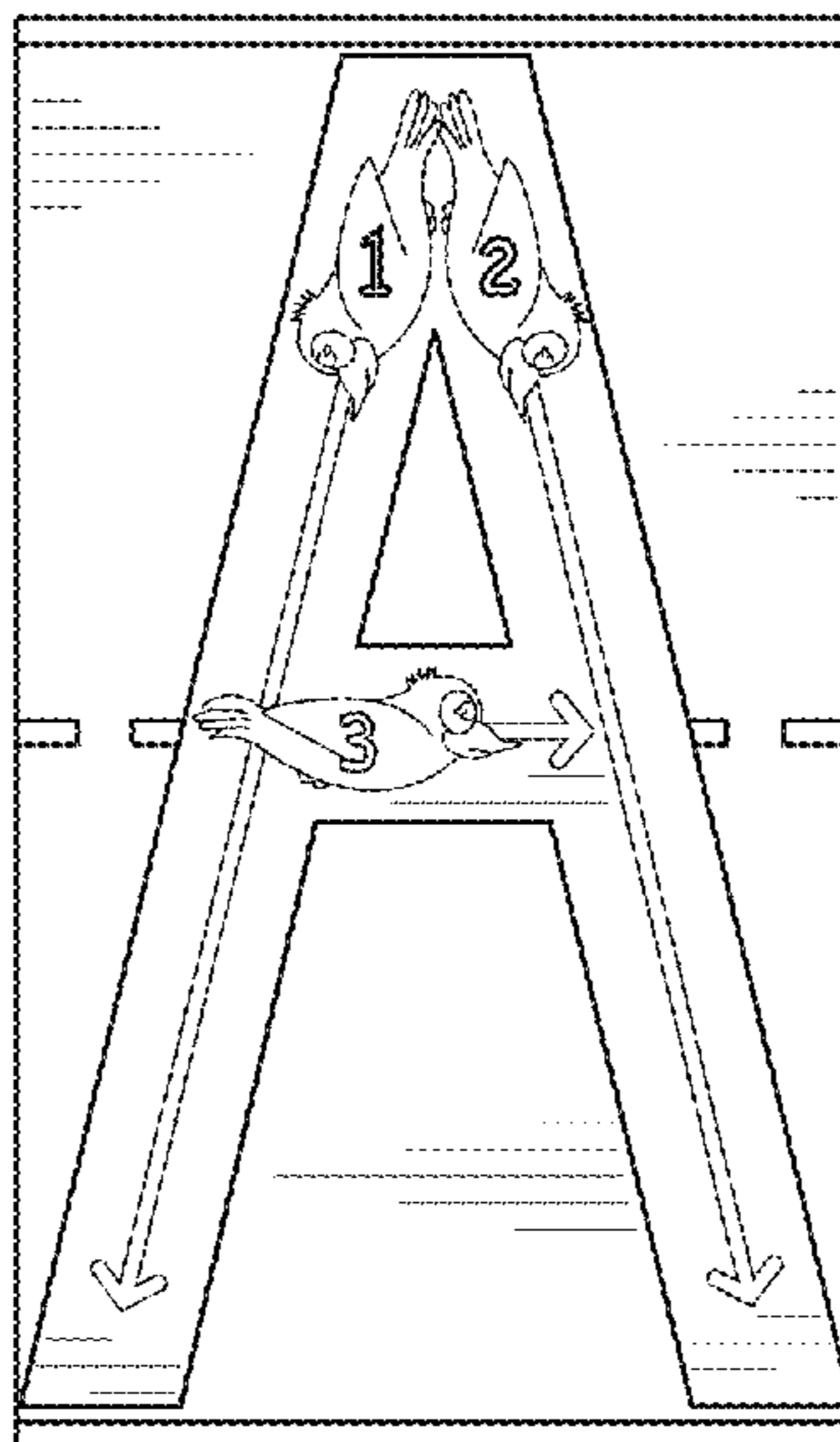
*Primary Examiner* — Ian Simmons  
*Assistant Examiner* — Mark Cavanna  
(74) *Attorney, Agent, or Firm* — Jill A. Jacobson

(57) **CLAIM**

We claim the ornamental design for a handwriting card set, as shown and described.

FIG. 1 is a top plan view of the first card of a handwriting card set showing the letter “A” card of my new design; FIG. 2 is the second card thereof showing the letter “B”; FIG. 3 is the third card thereof showing the letter “C”; FIG. 4 is the fourth card thereof showing the letter “D”; FIG. 5 is the fifth card thereof showing the letter “E”; FIG. 6 is the sixth card thereof showing the letter “F”; FIG. 7 is the seventh card thereof showing the letter “G”; FIG. 8 is the eighth card thereof showing the letter “H”; FIG. 9 is the ninth card thereof showing the letter “I”; FIG. 10 is the tenth card thereof showing the letter “J”; FIG. 11 is the eleventh card thereof showing the letter “K”; FIG. 12 is the twelfth card thereof showing the letter “L”; FIG. 13 is the thirteenth card thereof showing the letter “M”; FIG. 14 is the fourteenth card thereof showing the letter “N”; FIG. 15 is the fifteenth card thereof showing the letter “O”; FIG. 16 is the sixteenth card thereof showing the letter “P”; FIG. 17 is the seventeenth card thereof showing the letter “Q”; FIG. 18 is the eighteenth card thereof showing the letter “R”; FIG. 19 is the nineteenth card thereof showing the letter “S”; FIG. 20 is the twentieth card thereof showing the letter “T”; FIG. 21 is the twenty-first card thereof showing the letter “U”; FIG. 22 is the twenty-second card thereof showing the letter “V”; FIG. 23 is the twenty-third card thereof showing the letter “W”; FIG. 24 is the twenty-fourth card thereof showing the letter “X”; FIG. 25 is the twenty-fifth card thereof showing the letter “Y”; and, FIG. 26 is the twenty-sixth card thereof showing the letter “Z”.

**1 Claim, 13 Drawing Sheets**



# US D784,450 S

Page 2

(58) **Field of Classification Search**

USPC ..... D21/480, 479, 606; 273/294, 302, 156,  
273/157 R; D10/64; 283/45  
CPC ..... A63F 9/10; G09B 11/04; G09B 21/003;  
G09B 17/00; G09B 1/06; G09B 1/12;  
G09B 1/08; G09B 1/02; G09B 11/00;  
G09B 1/36; G09B 19/00; G09B 19/02;  
G09B 19/04; G09B 1/30

See application file for complete search history.

(56) **References Cited**

U.S. PATENT DOCUMENTS

3,774,319 A \* 11/1973 Sprowls ..... G09B 21/003  
434/164  
3,778,910 A \* 12/1973 Smalligan ..... G09B 11/04  
434/164  
3,811,206 A \* 5/1974 Gaccetta ..... G09B 17/00  
434/159  
3,822,487 A \* 7/1974 Koch ..... G09B 1/40  
434/172  
4,345,902 A \* 8/1982 Hengel ..... G09B 1/12  
434/170  
4,353,700 A \* 10/1982 Volakakis ..... G09B 1/08  
434/168  
4,427,390 A \* 1/1984 Manger ..... G09B 1/06  
434/159  
4,669,986 A \* 6/1987 Yokoyama ..... G09B 11/04  
434/164  
4,685,885 A \* 8/1987 Maddocks ..... G09B 11/04  
D18/26  
D327,499 S \* 6/1992 Lemon ..... D19/59  
5,165,894 A \* 11/1992 Reasoner ..... G09B 1/06  
434/345

5,409,381 A \* 4/1995 Sundberg ..... G09B 11/00  
434/165  
D360,238 S \* 7/1995 Figone ..... D21/479  
D368,931 S \* 4/1996 Ling ..... D19/60  
5,553,856 A \* 9/1996 Barnard ..... G09B 1/36  
273/156  
D382,923 S \* 8/1997 Rehbein ..... D18/27  
D388,818 S \* 1/1998 Bajic ..... D18/26  
5,716,212 A \* 2/1998 Lee ..... G09B 1/06  
434/172  
D398,864 S \* 9/1998 Dietterich ..... D10/64  
6,030,225 A \* 2/2000 Chan ..... G09B 19/02  
434/170  
D423,050 S \* 4/2000 Rink ..... D19/59  
D423,052 S \* 4/2000 Chan ..... D19/60  
6,074,212 A \* 6/2000 Cogliano ..... G09B 19/04  
434/327  
D428,074 S \* 7/2000 Bitton ..... D21/480  
6,142,783 A \* 11/2000 Rocha ..... G09B 11/04  
434/164  
D487,106 S \* 2/2004 Zhdanova ..... D18/27  
D529,961 S \* 10/2006 Gallagher ..... D19/62  
D583,416 S \* 12/2008 Cisneros ..... D19/59  
7,717,713 B2 \* 5/2010 Wescott ..... G09B 11/04  
434/162  
7,819,433 B2 \* 10/2010 Schulken ..... G09B 11/04  
283/45  
D627,395 S \* 11/2010 Weaver ..... D19/59  
D640,317 S \* 6/2011 Palmore ..... D19/27  
7,993,139 B2 \* 8/2011 Lehmann ..... G09B 1/30  
434/160  
D676,082 S \* 2/2013 Viola-Press ..... D19/59  
D699,298 S \* 2/2014 Mahar ..... D19/59  
D699,787 S \* 2/2014 Mahar ..... D19/59  
D701,266 S \* 3/2014 Mahar ..... D19/59  
2008/0003549 A1 \* 1/2008 Fine ..... G09B 19/00  
434/155

\* cited by examiner

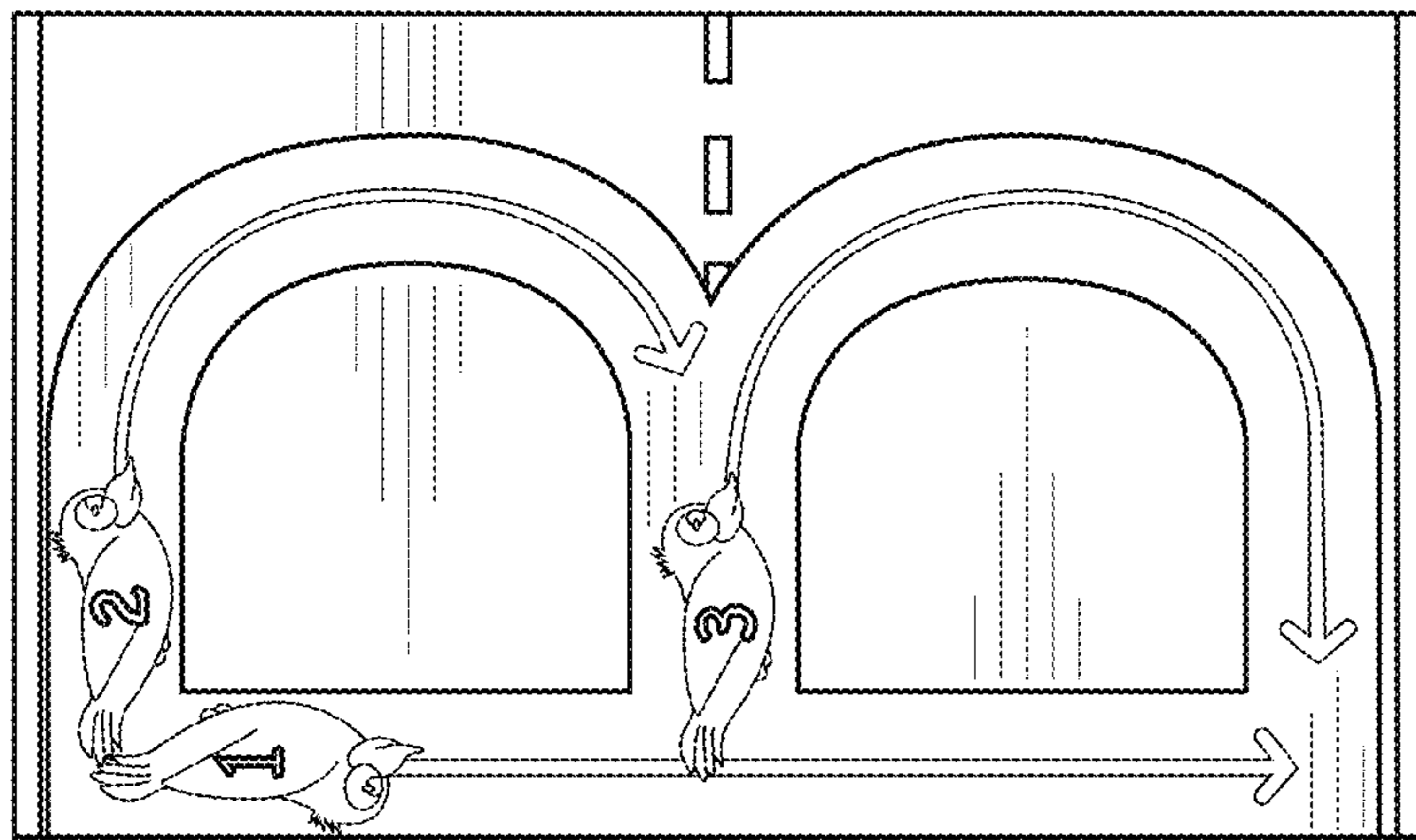


FIG. 1

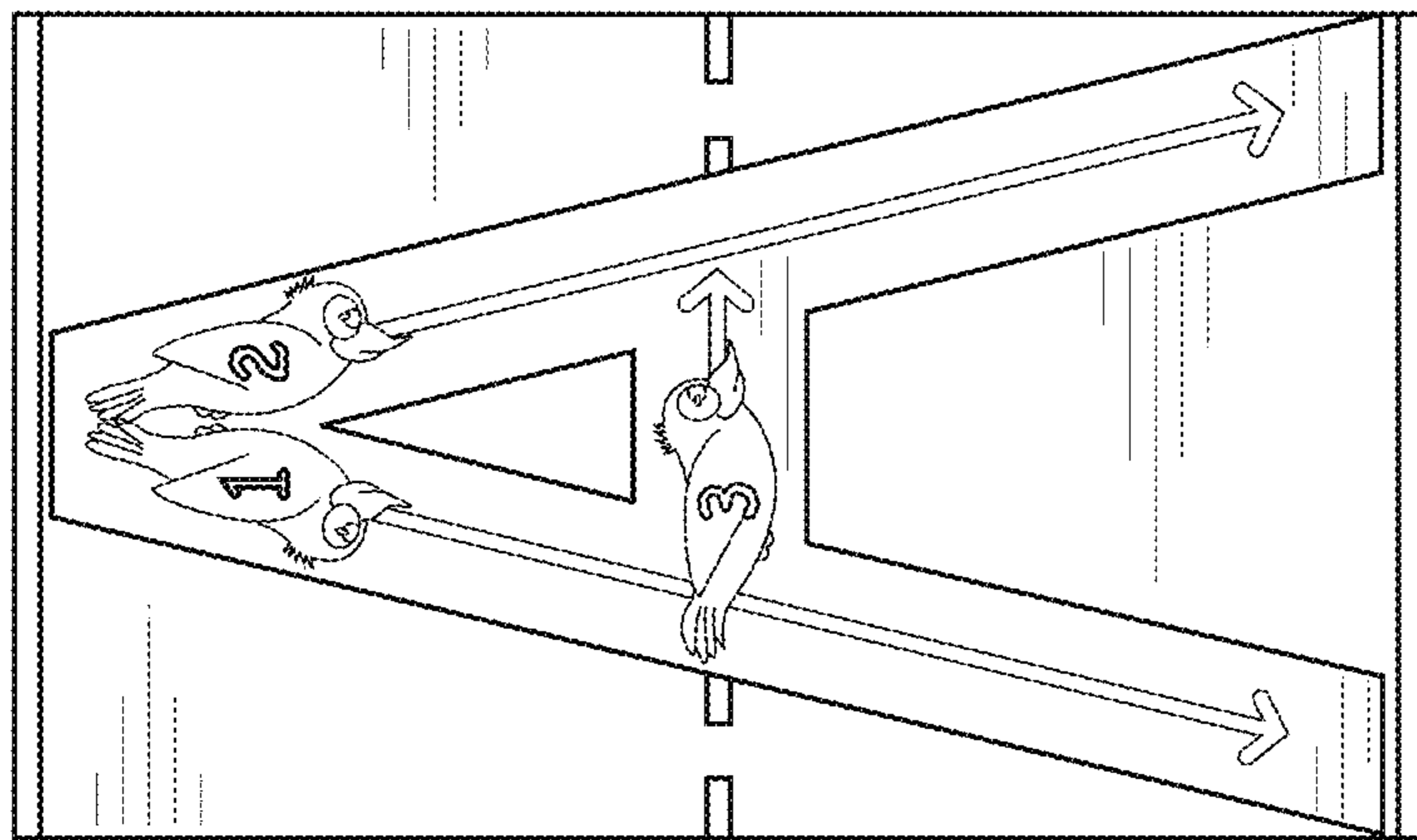
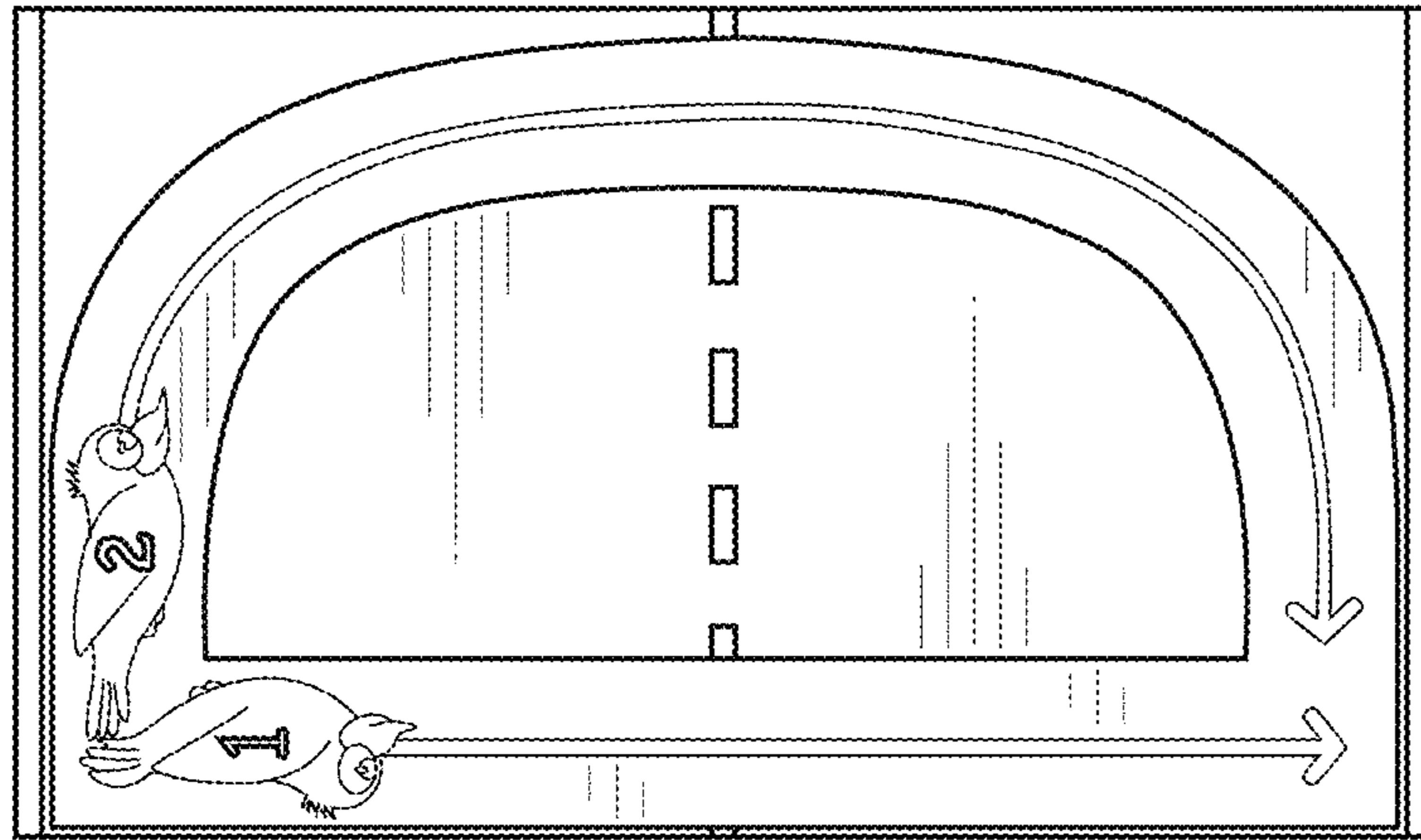
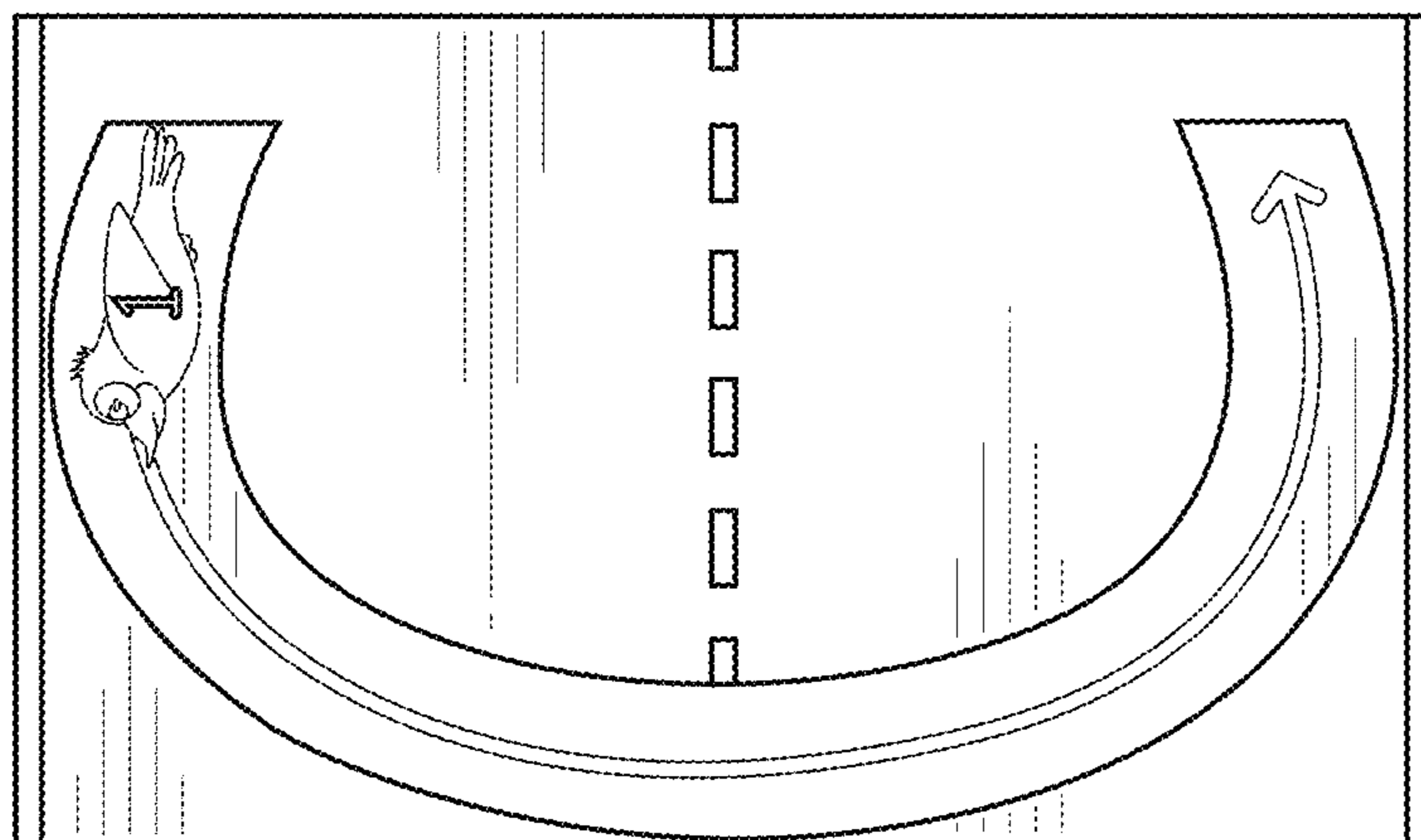


FIG. 2

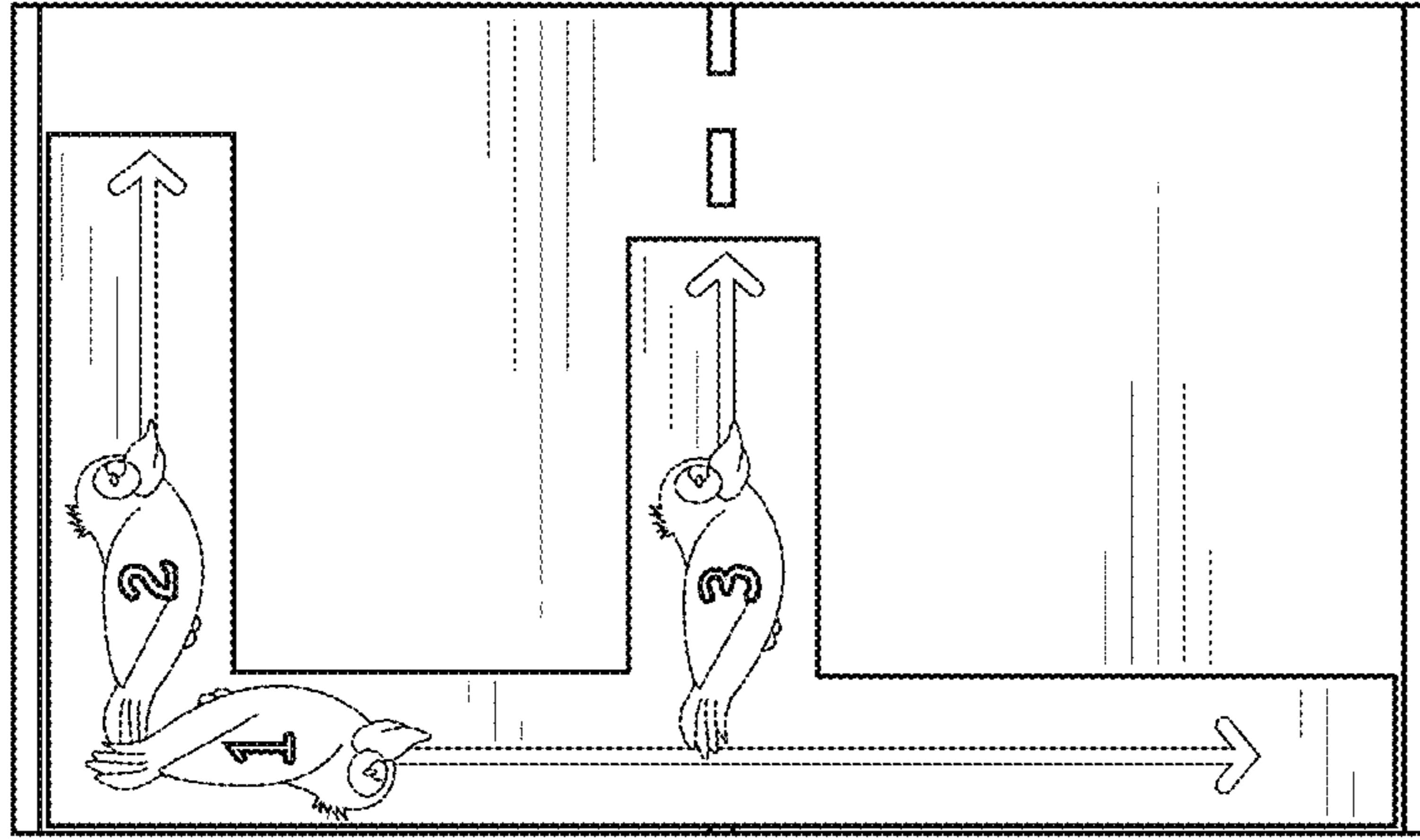




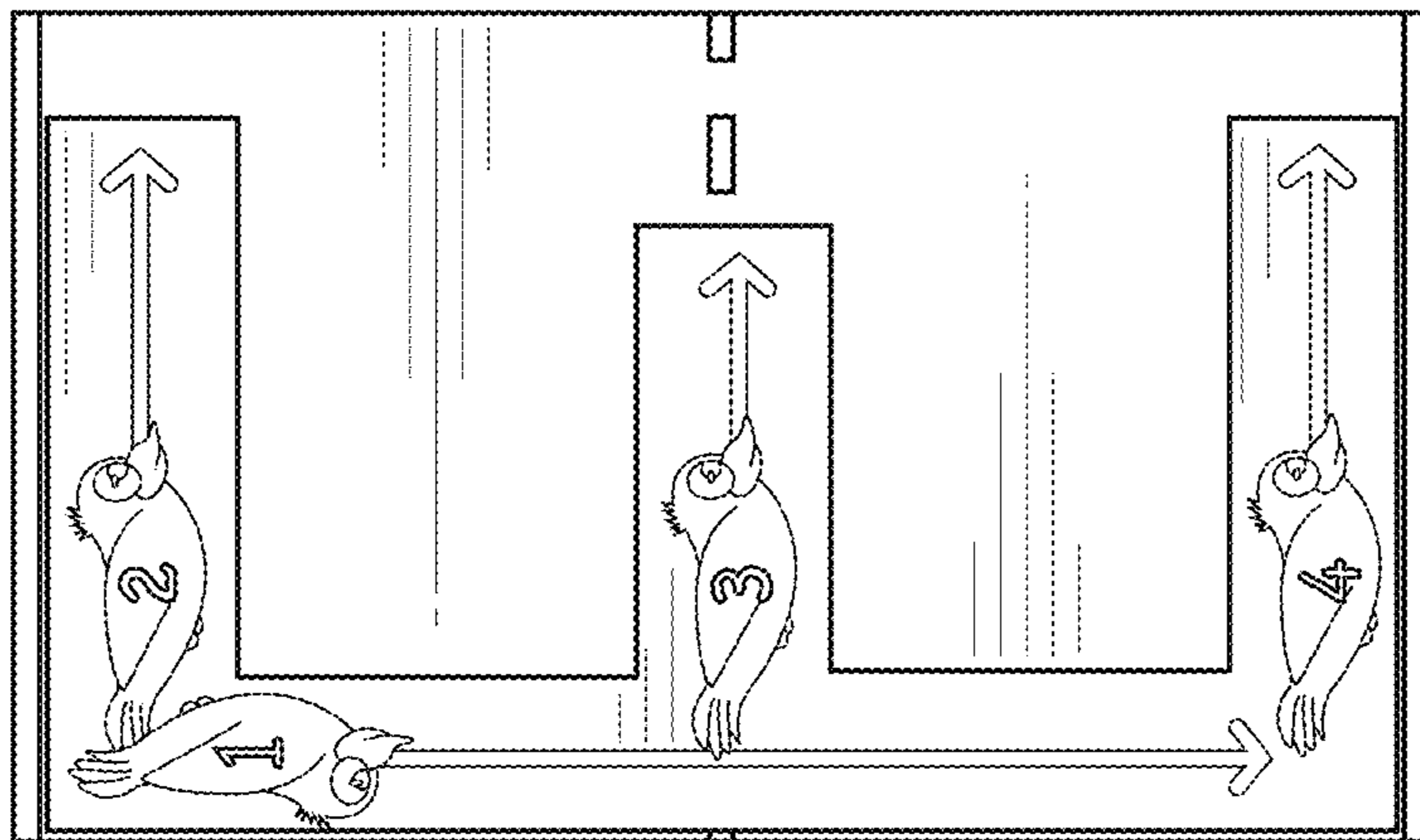
**FIG. 4**



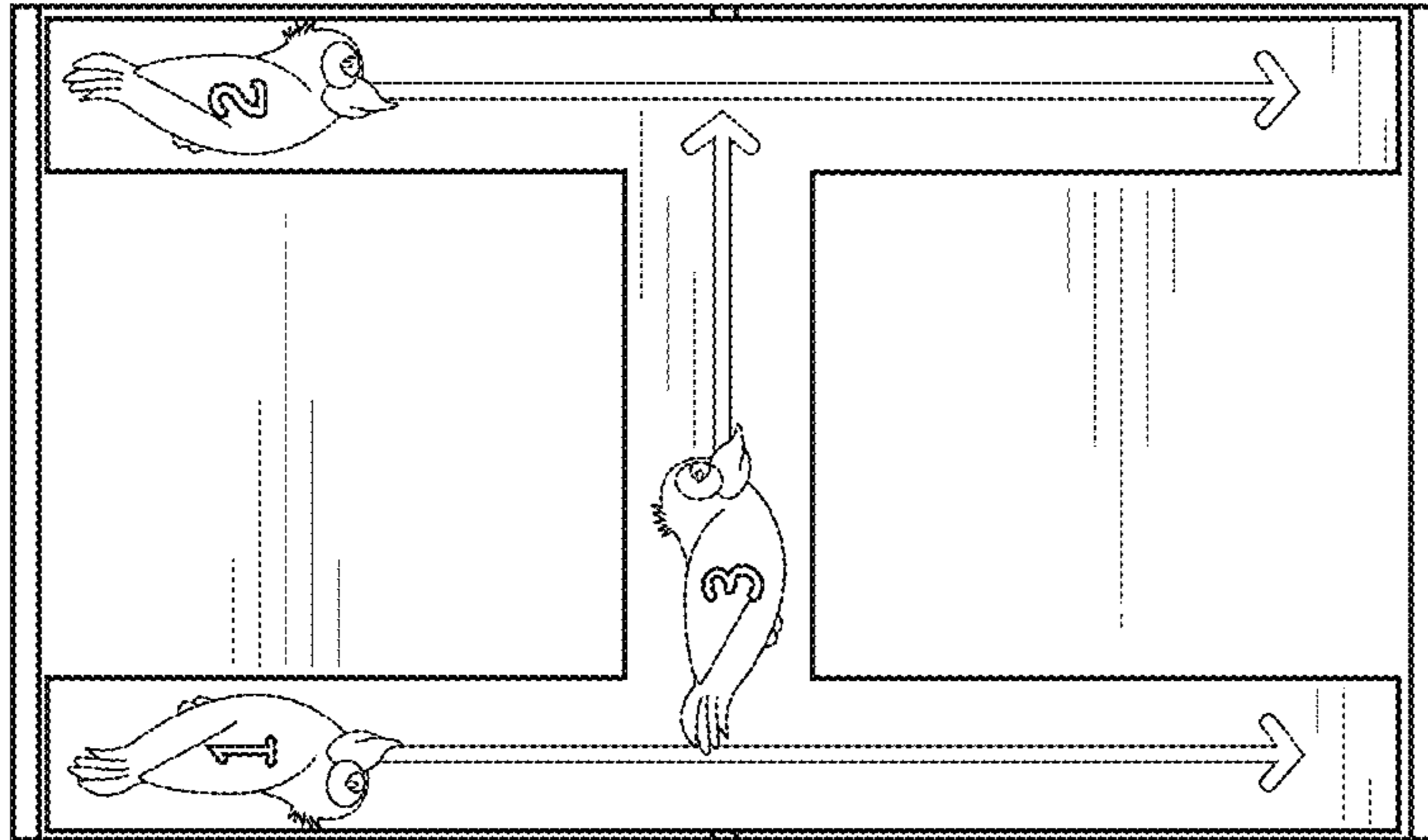
**FIG. 3**



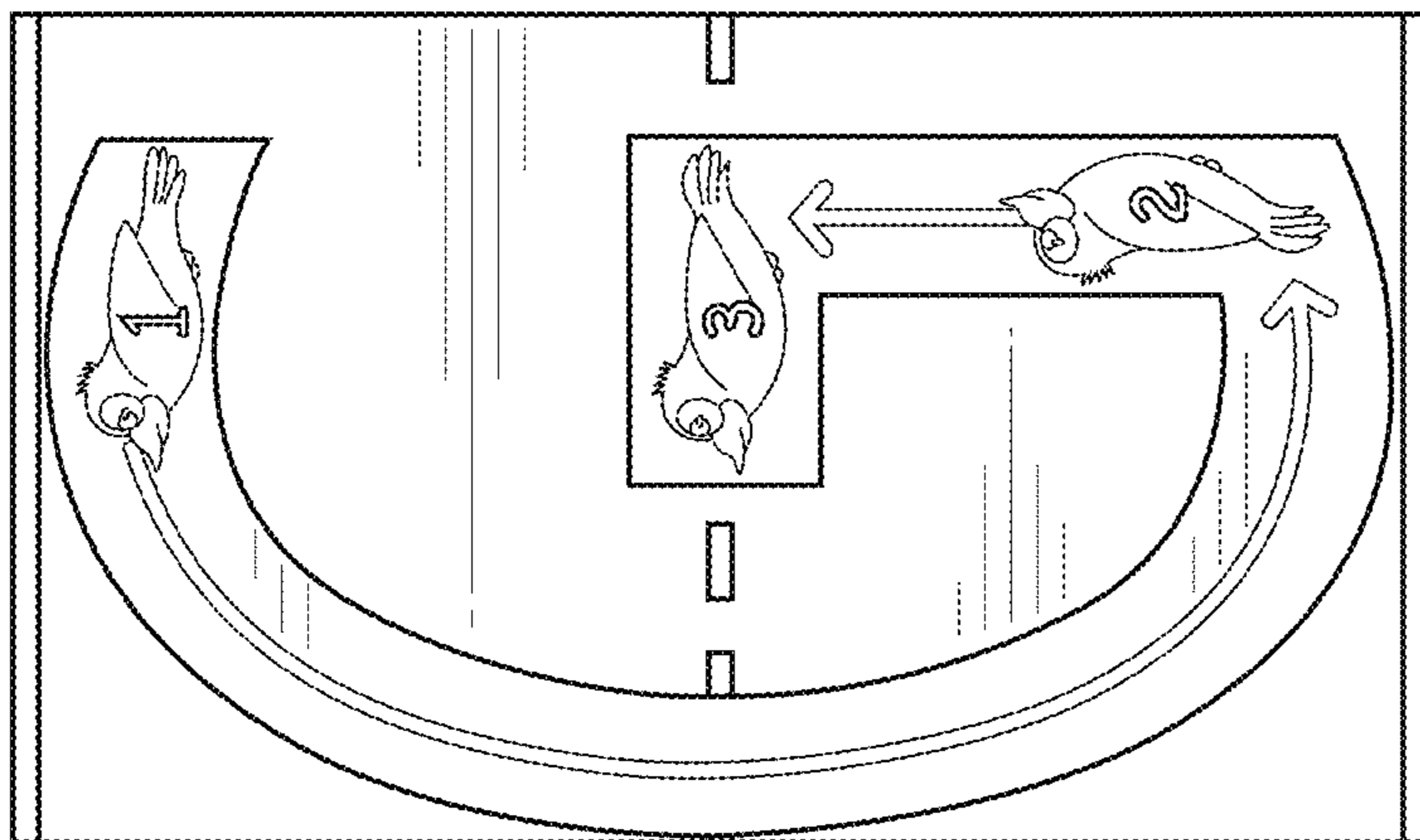
**FIG. 6**



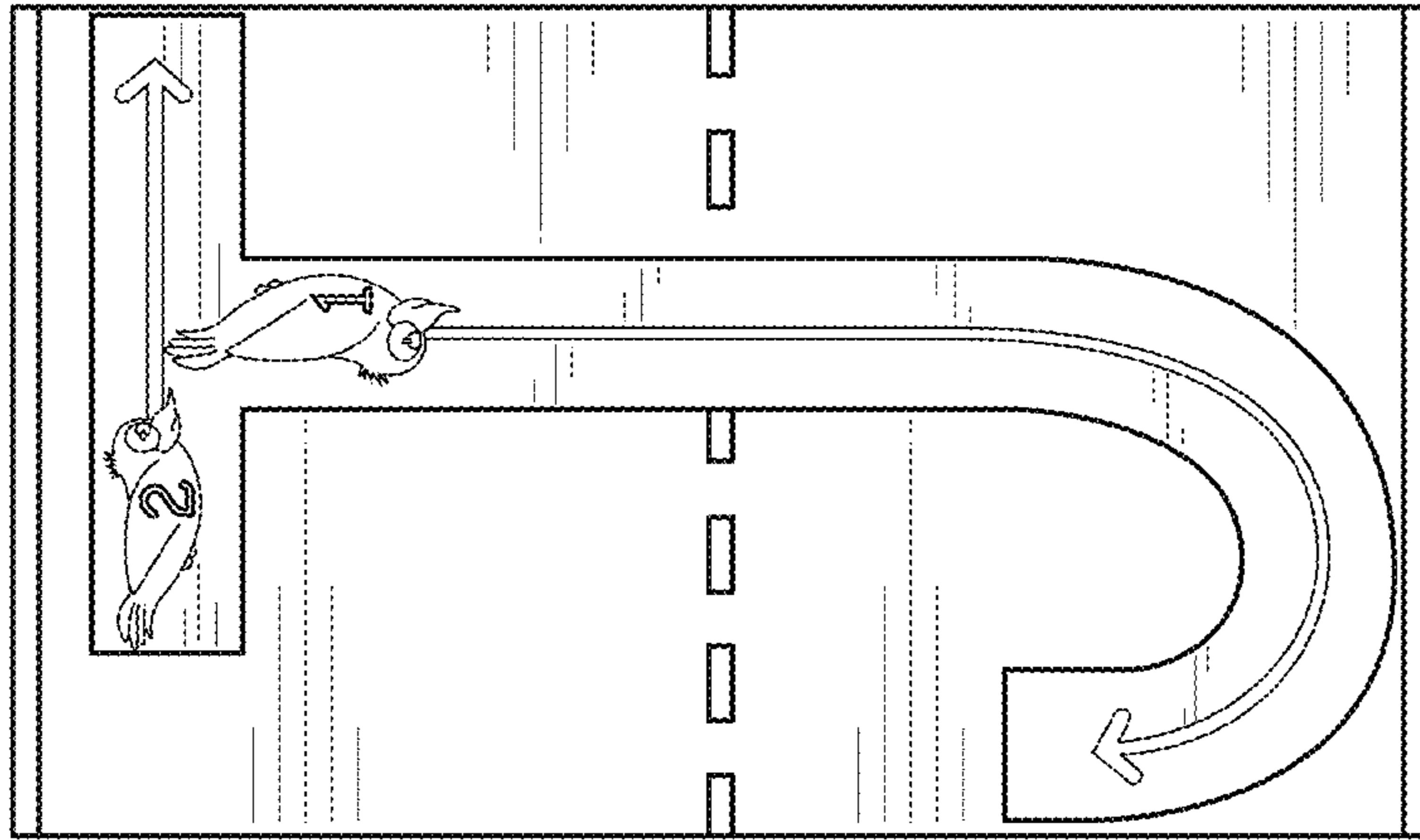
**FIG. 5**



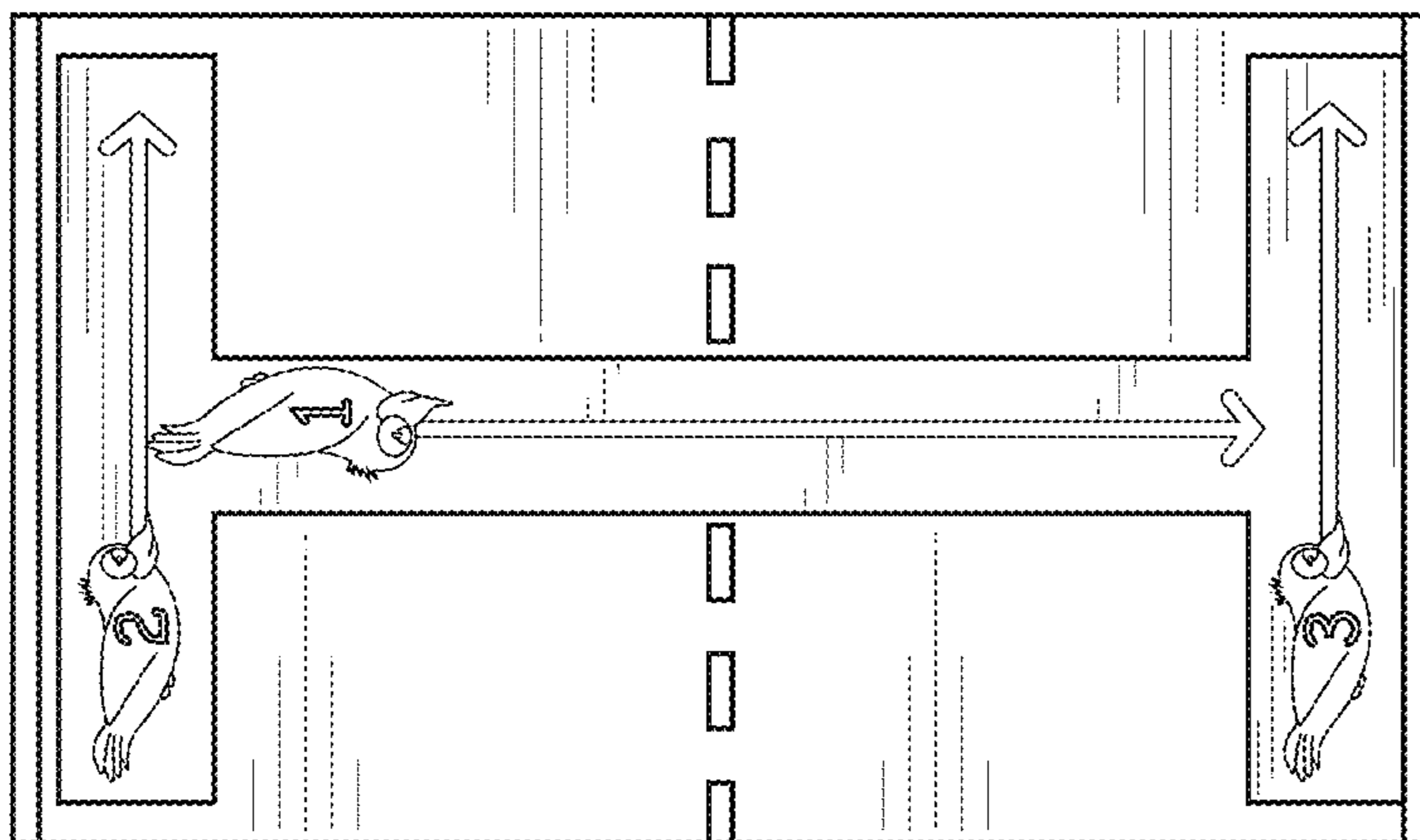
**FIG. 8**



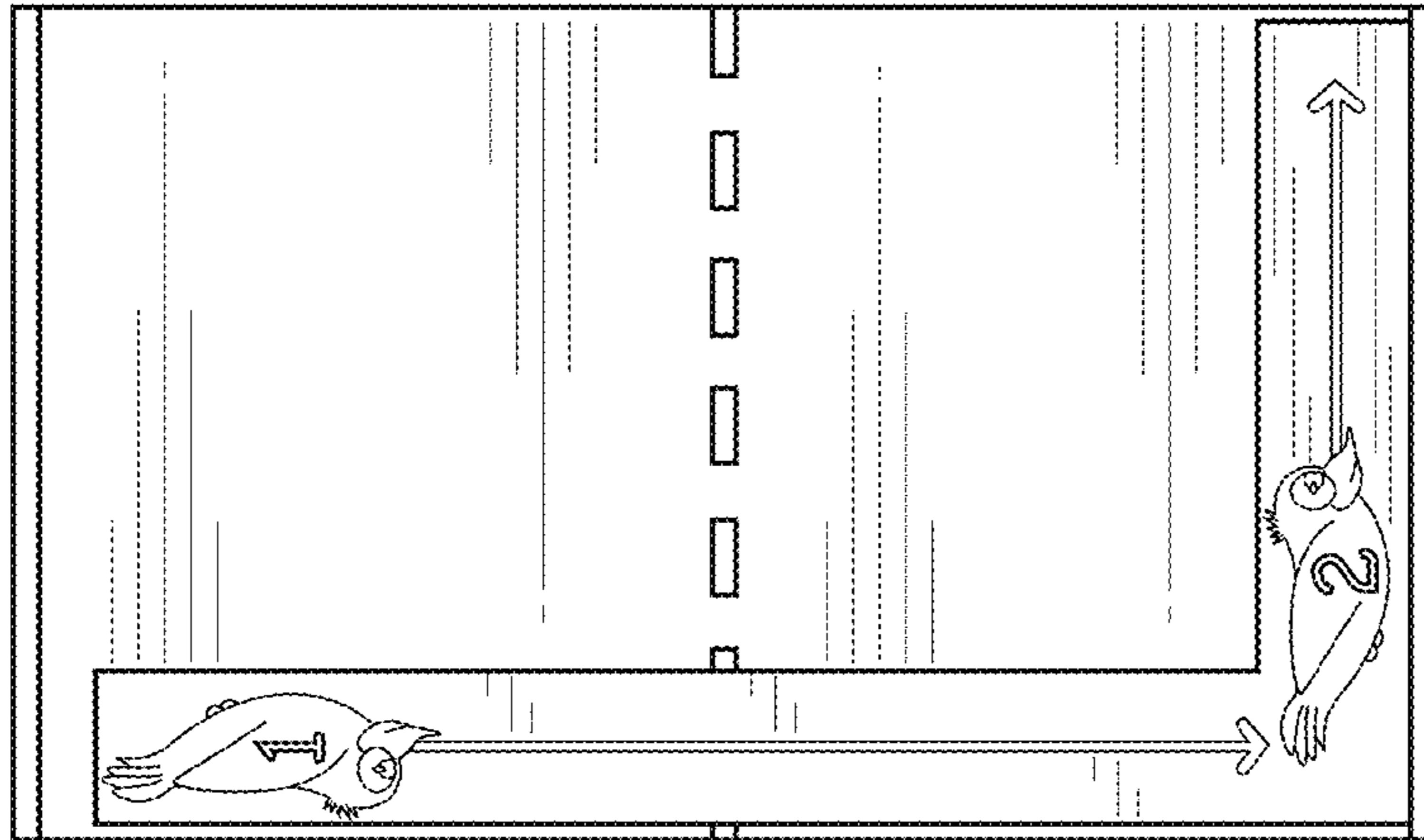
**FIG. 7**



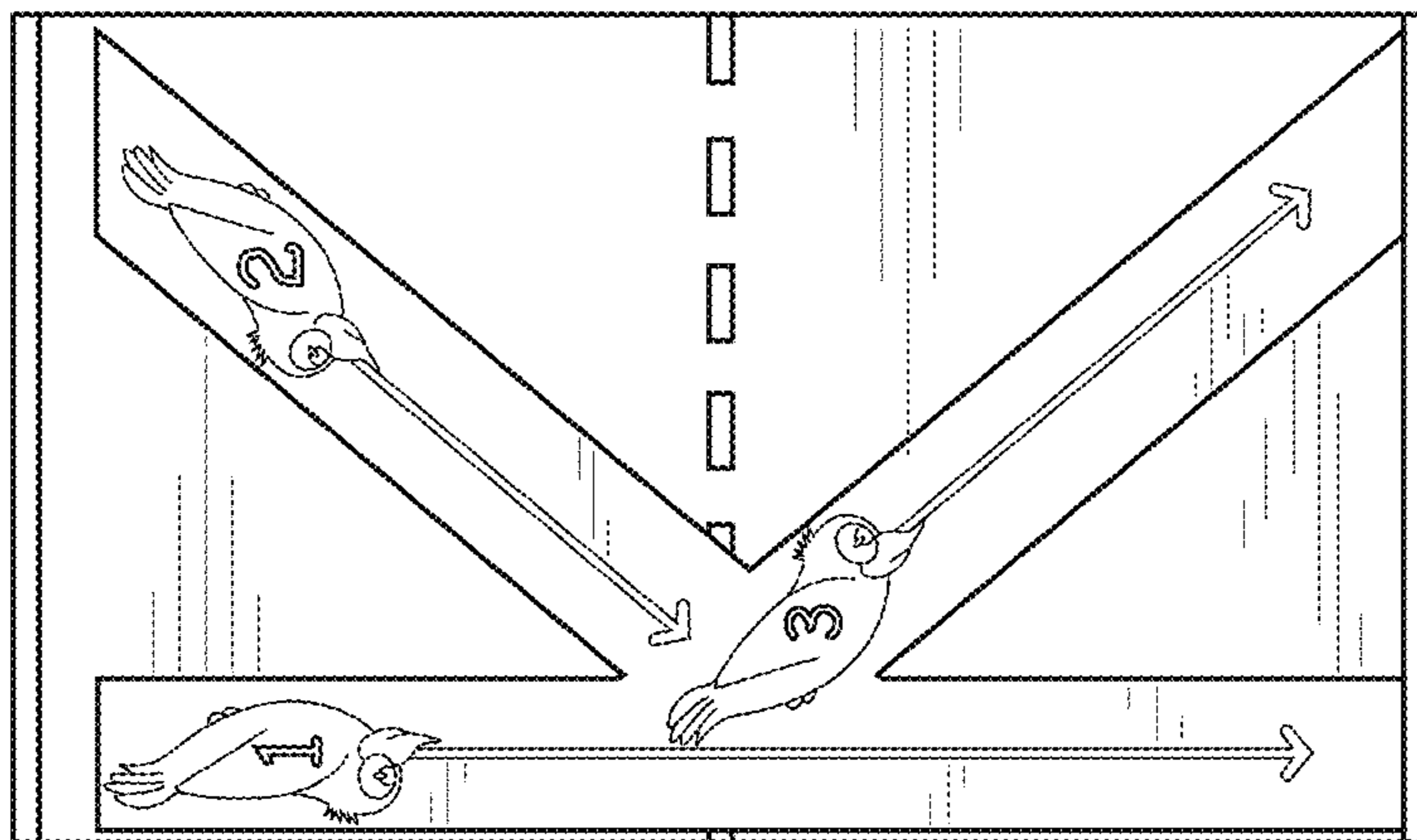
**FIG. 10**



**FIG. 9**

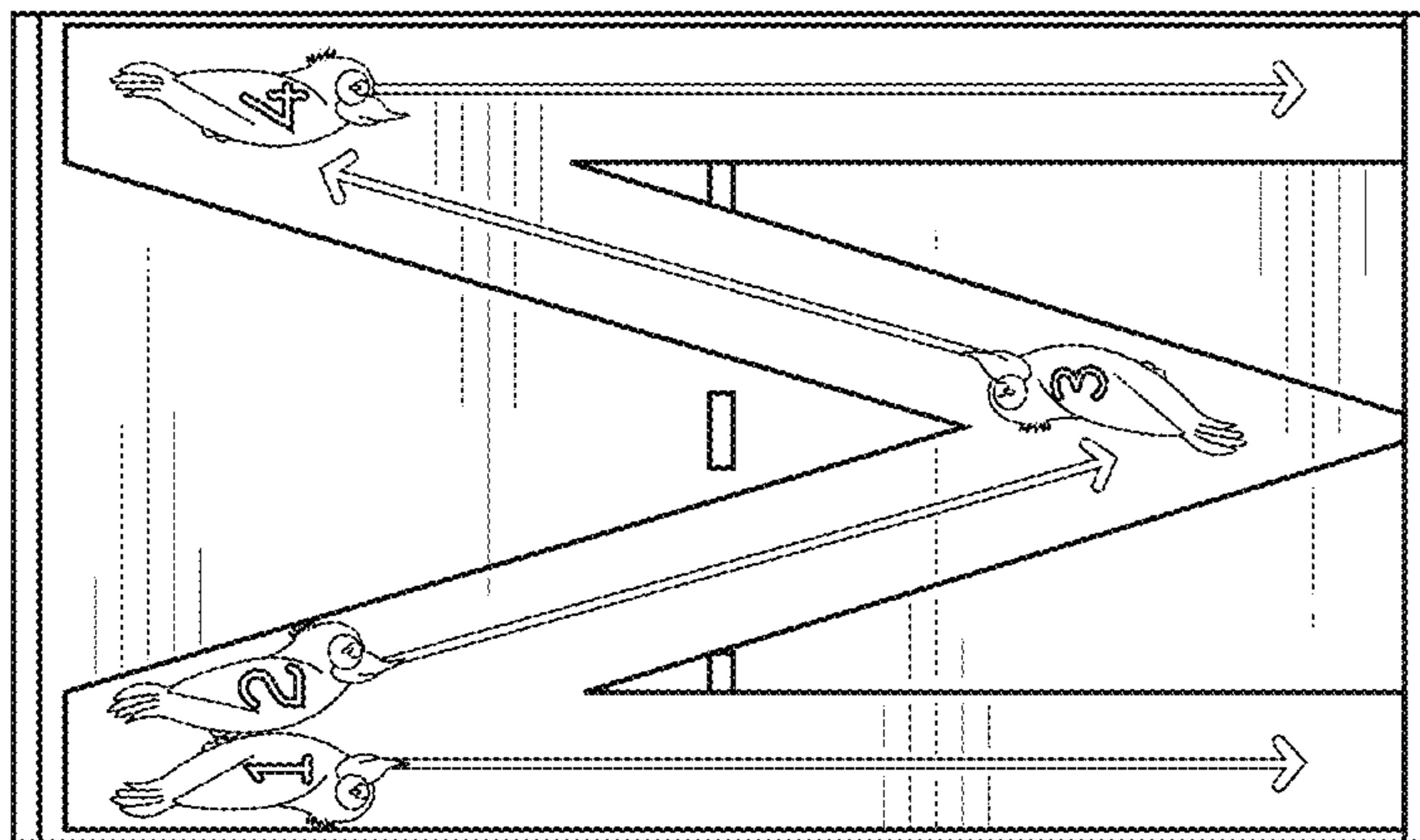
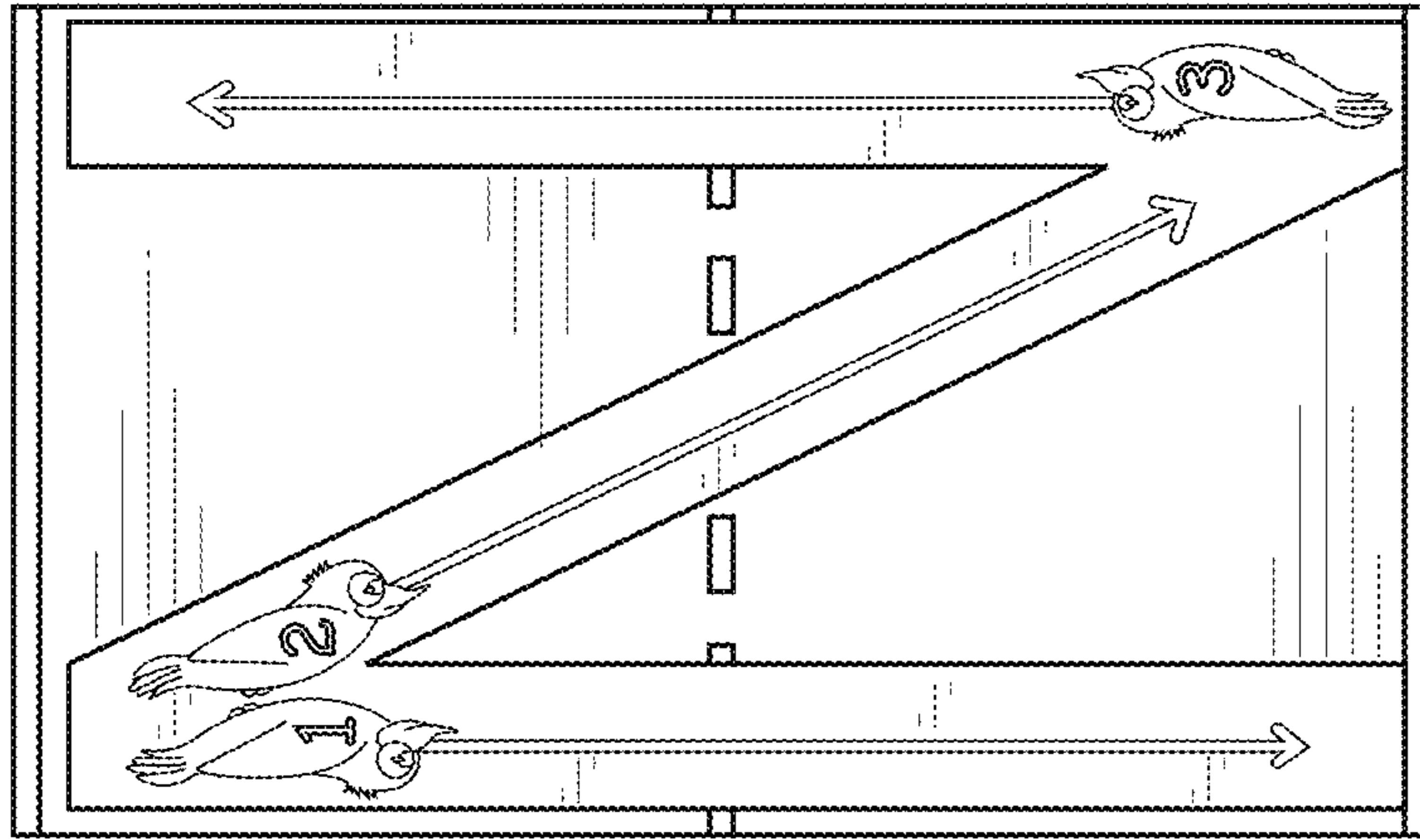


**FIG. 11**



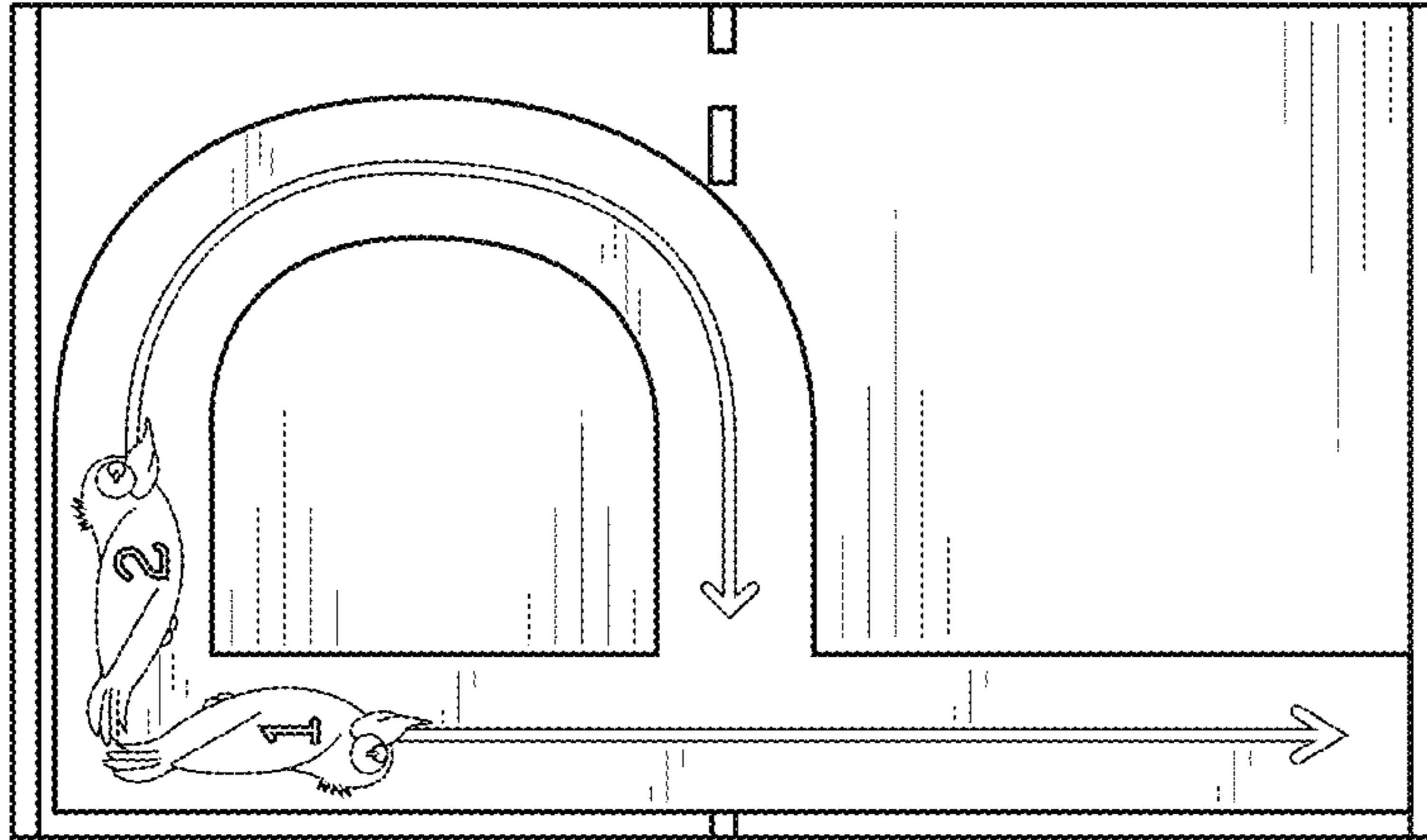
**FIG. 12**



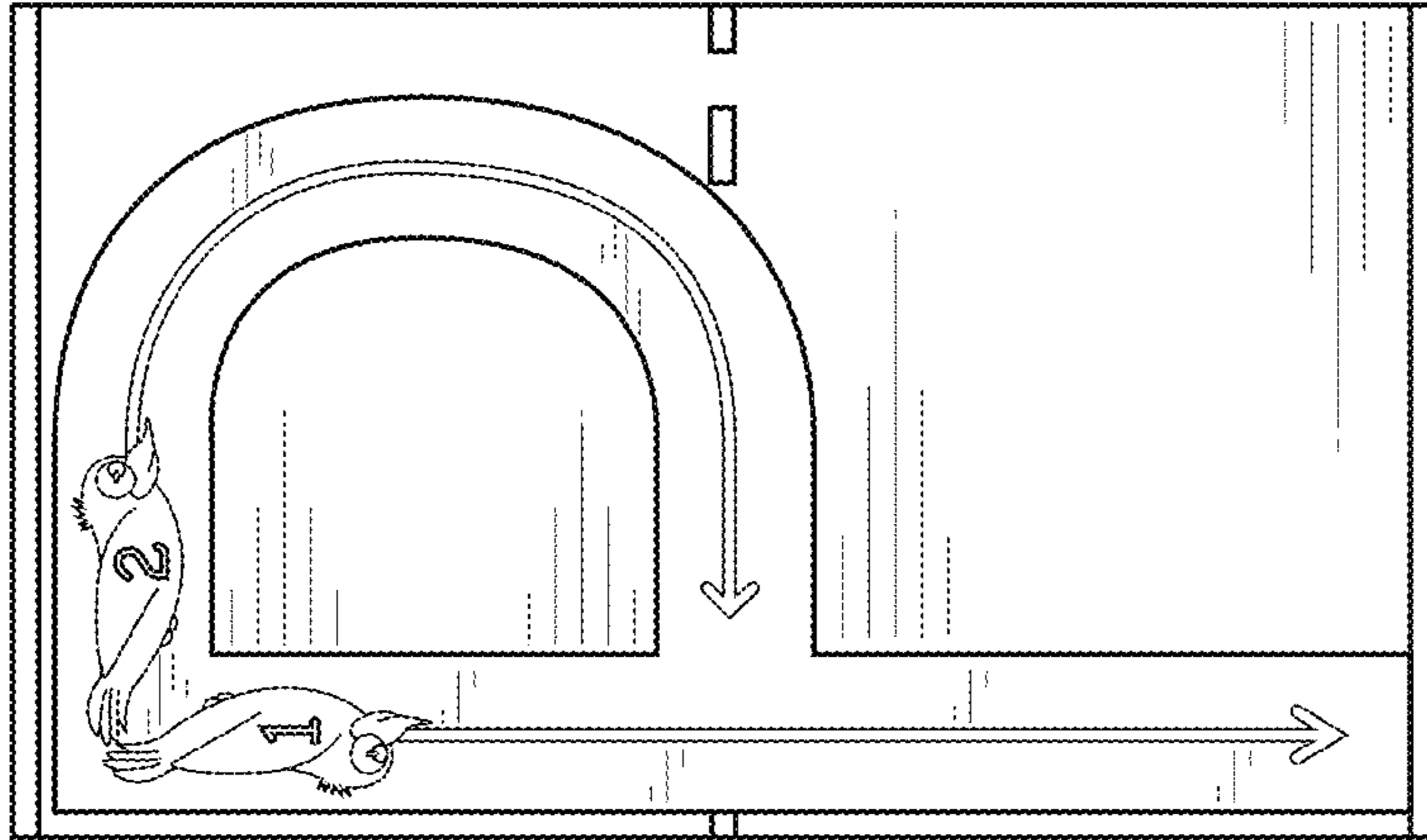


**FIG. 14**

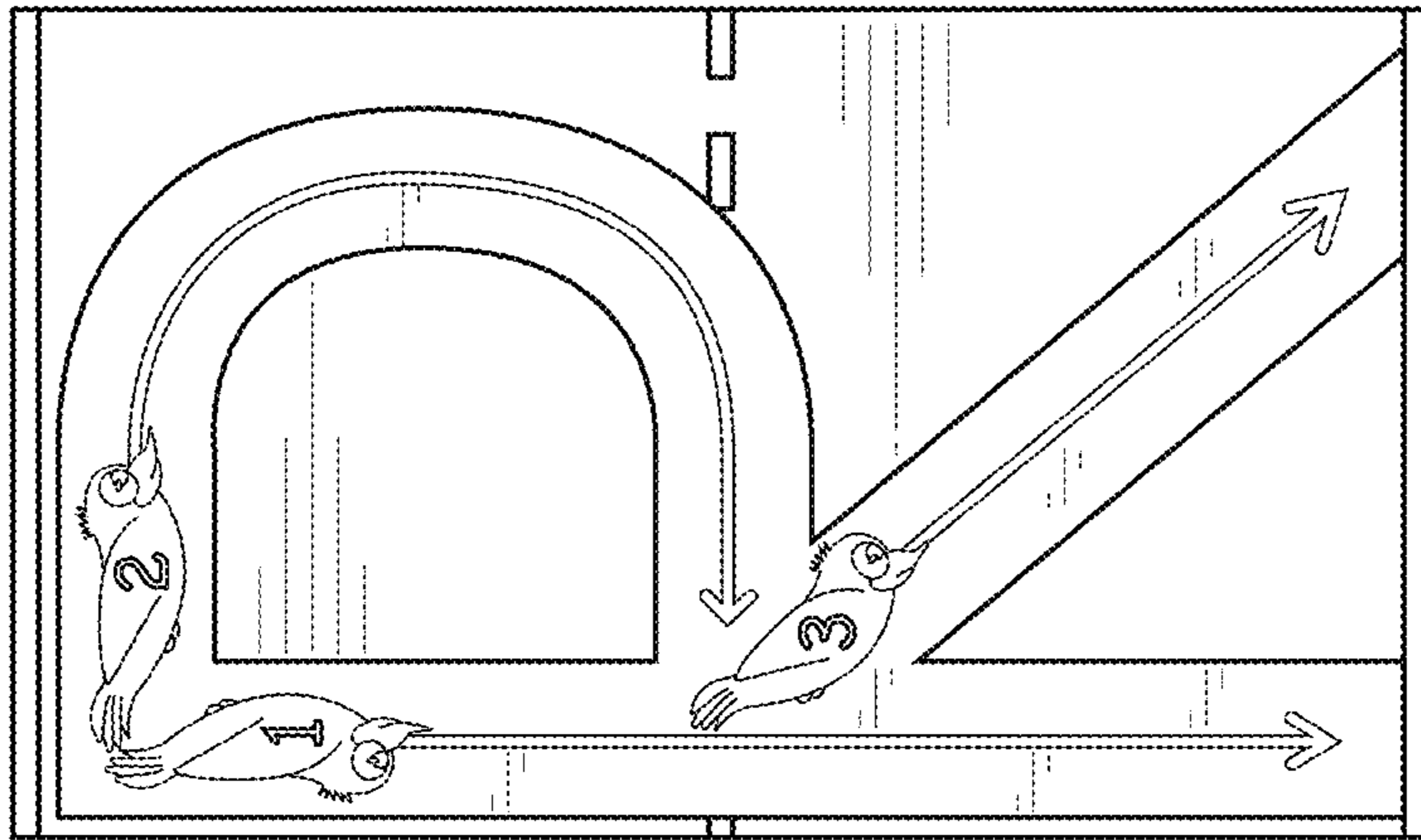
**FIG. 13**



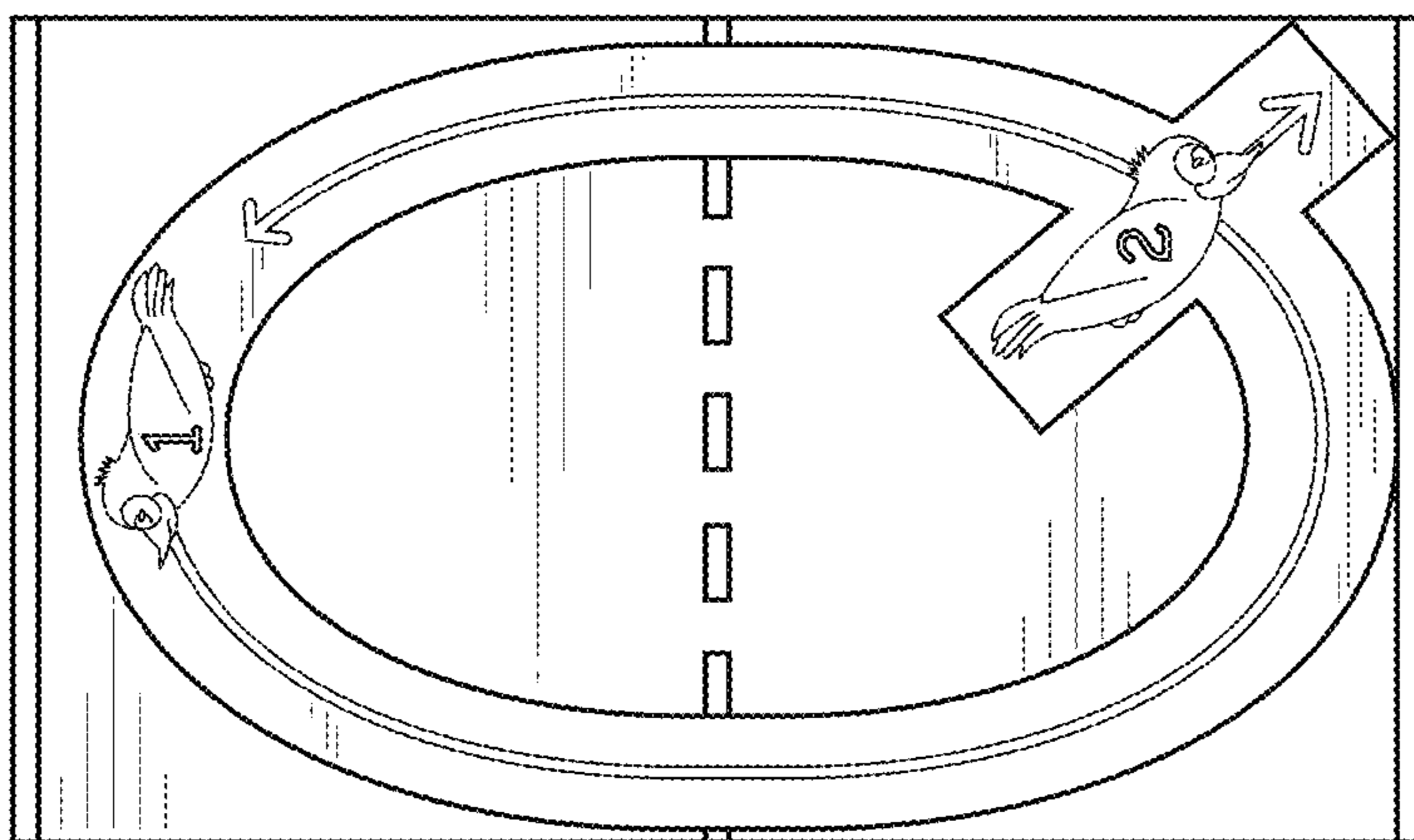
**FIG. 15**



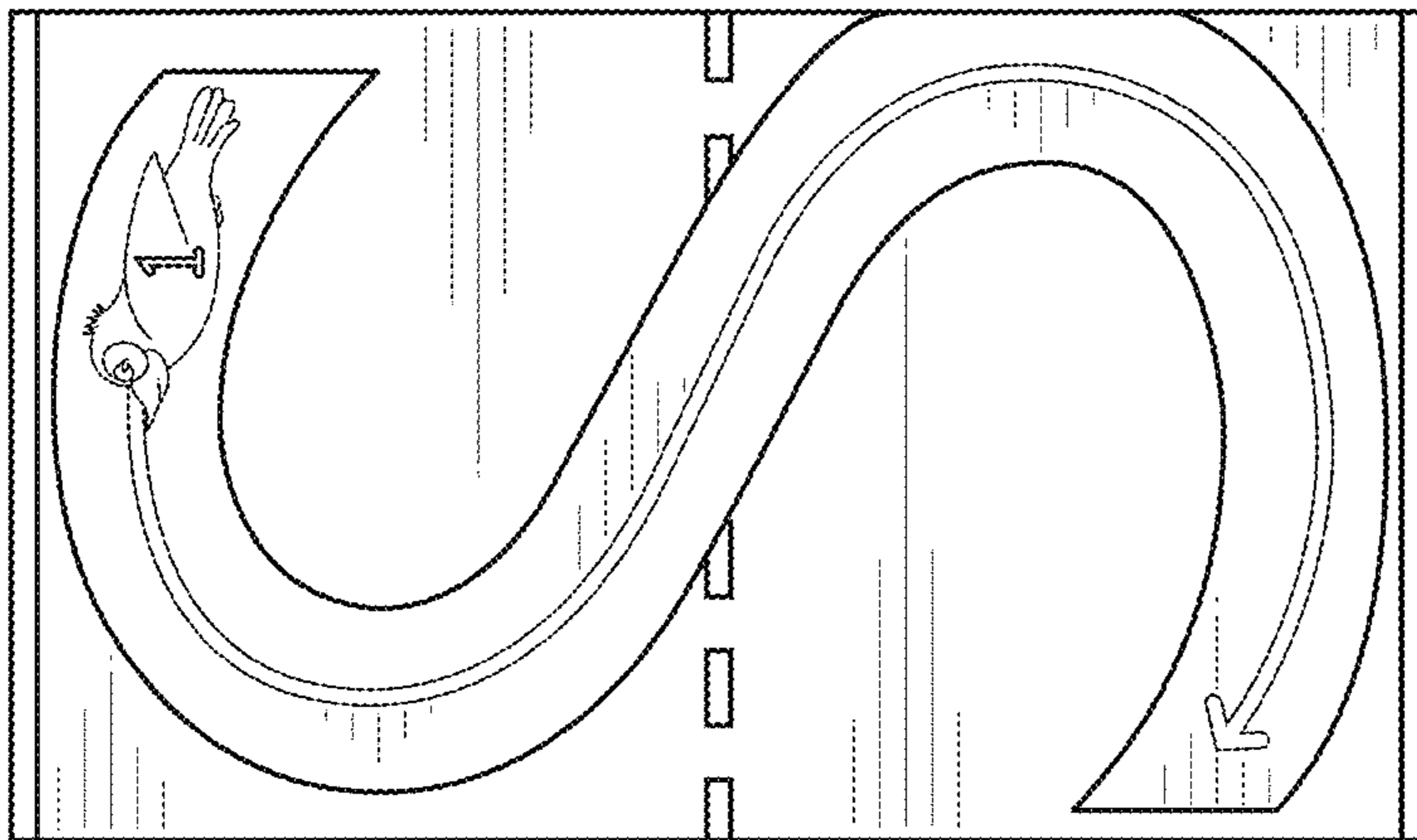
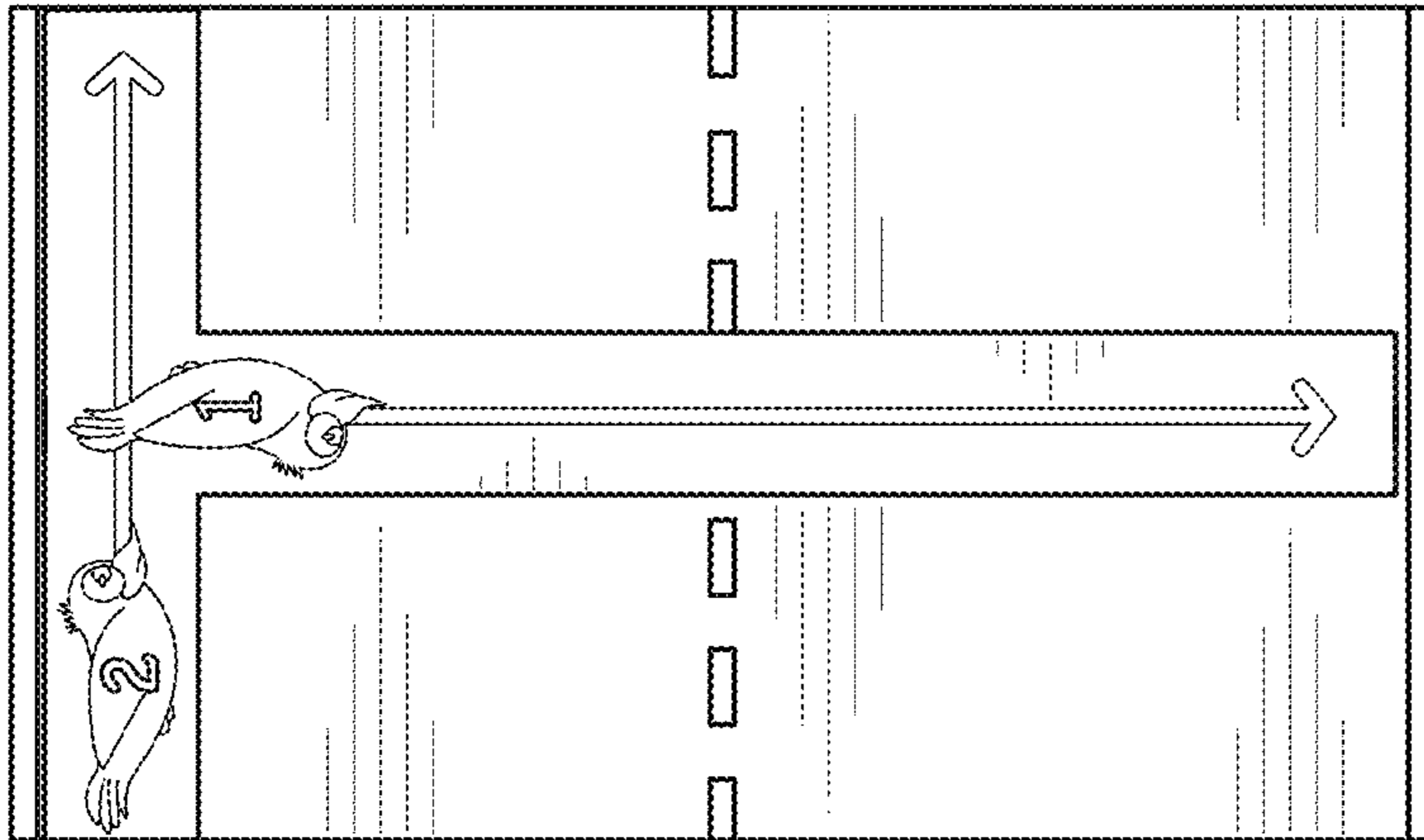
**FIG. 16**



**FIG. 17**



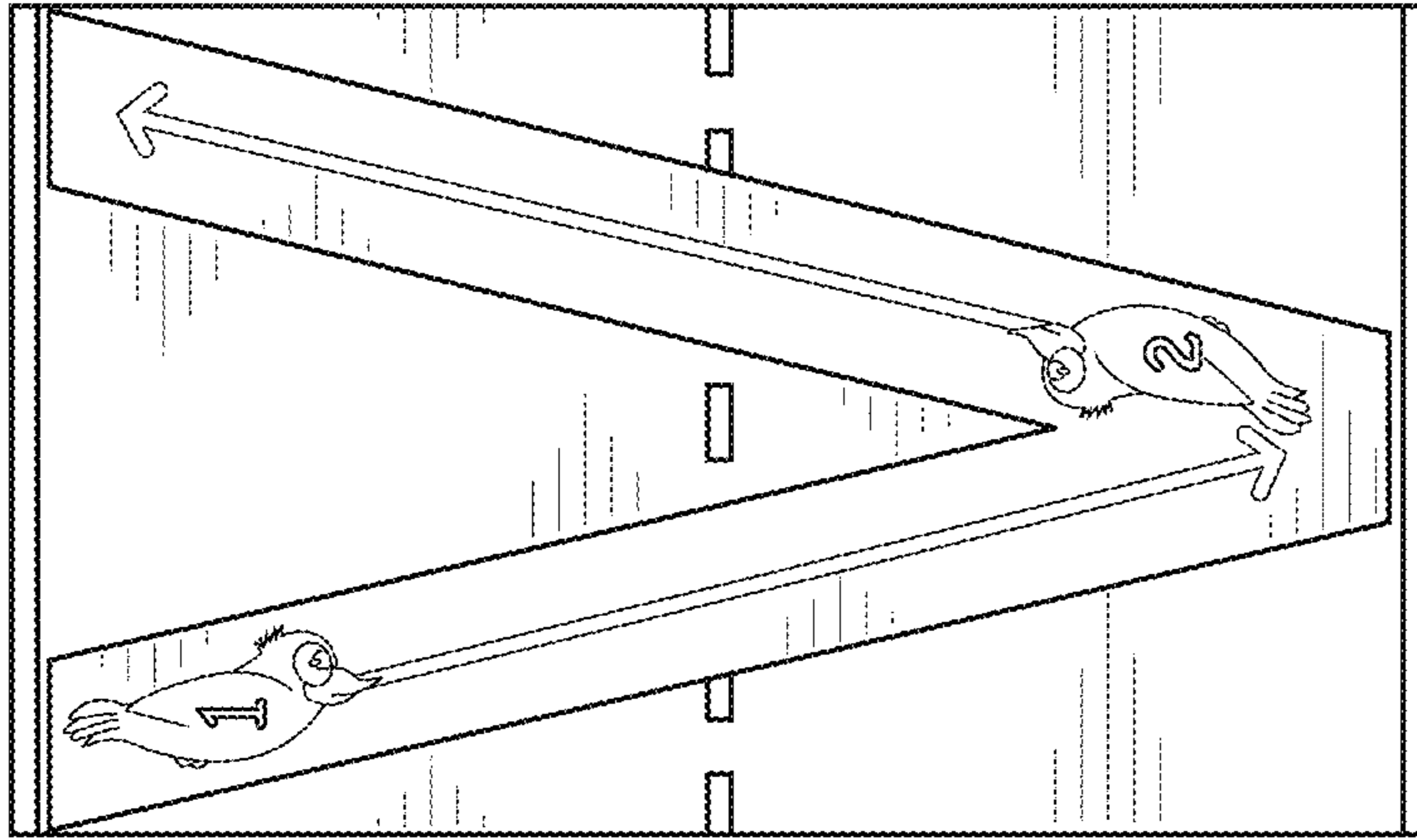
**FIG. 18**



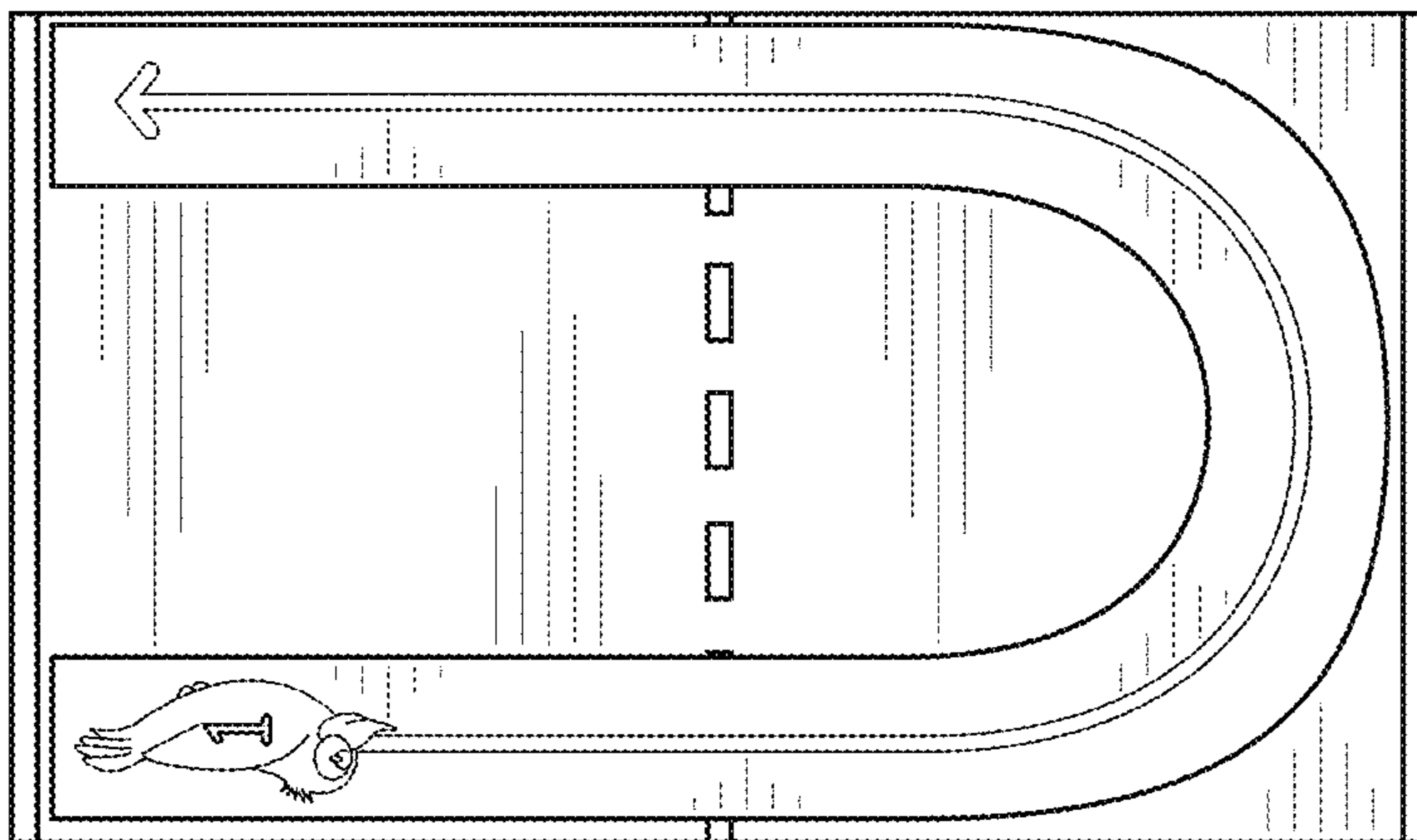
**FIG. 19**

**FIG. 20**

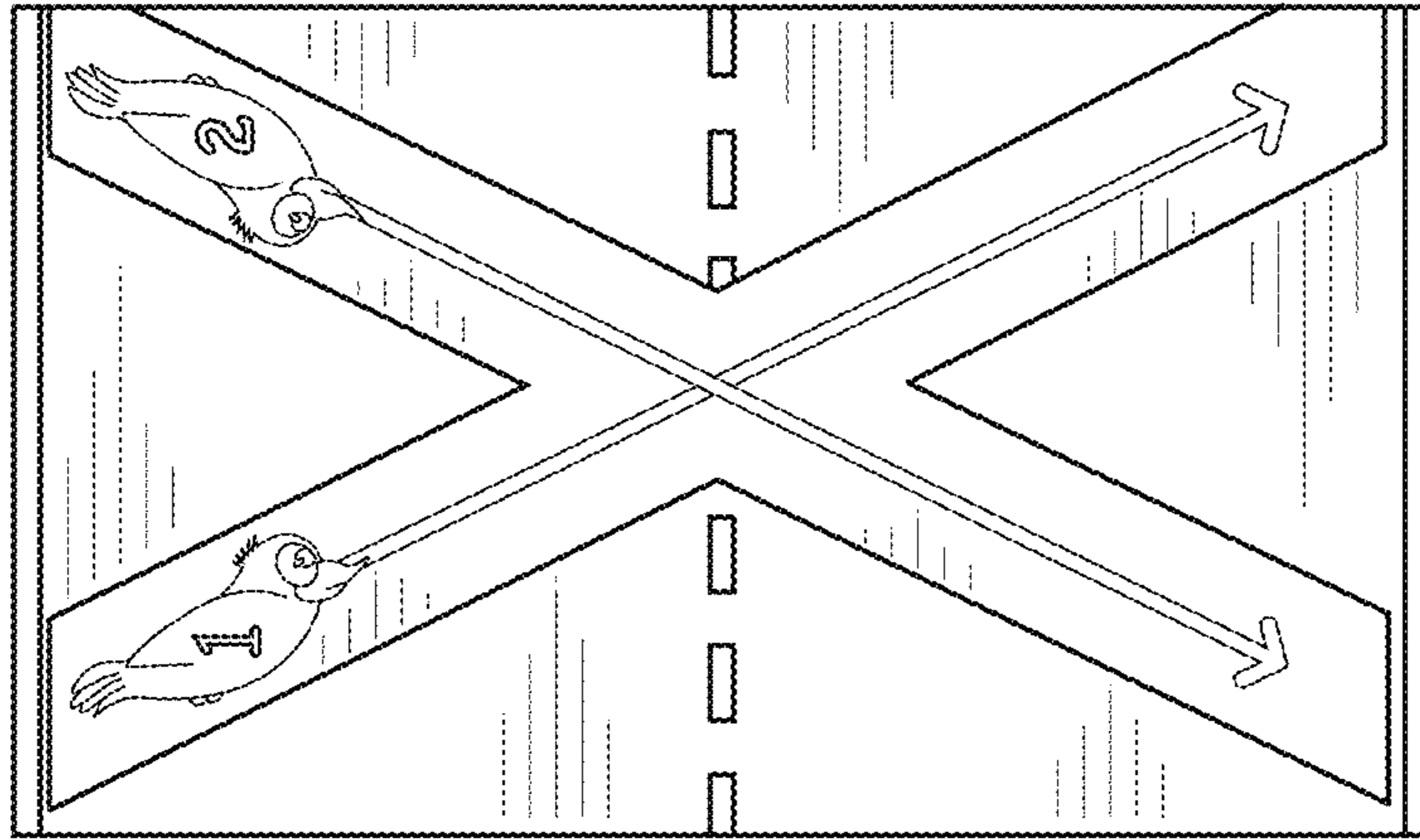




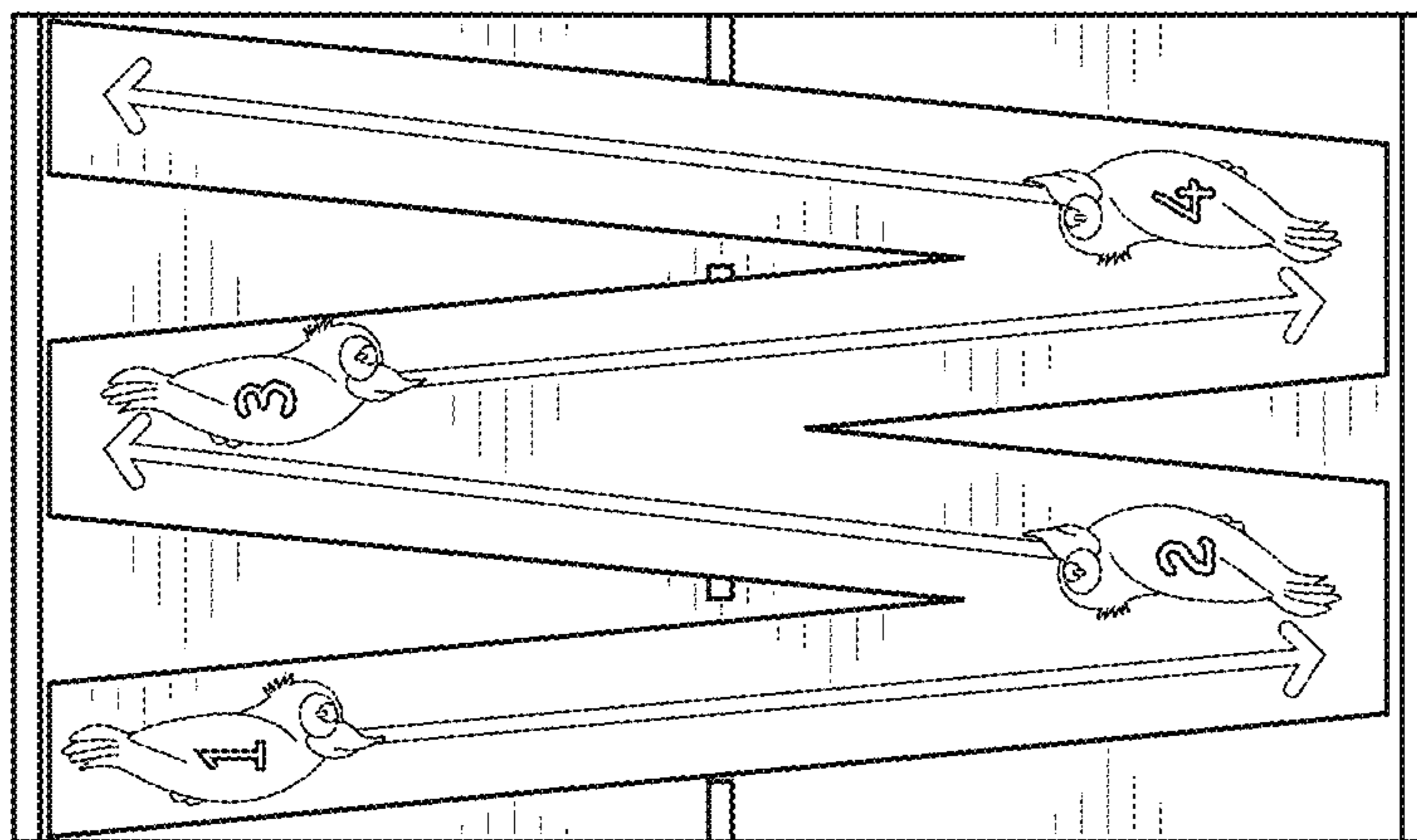
**FIG. 21**



**FIG. 22**



**FIG. 24**



**FIG. 23**

