



US00D784448S

(12) **United States Design Patent**
Graham

(10) **Patent No.:** **US D784,448 S**

(45) **Date of Patent:** **** Apr. 18, 2017**

(54) **SPINE OF A BINDER**

(71) Applicant: **R.R. Donnelley & Sons Company**,
Chicago, IL (US)

(72) Inventor: **David M. Graham**, Western Springs,
IL (US)

(73) Assignee: **LSC COMMUNICATIONS US, LLC**,
Chicago, IL (US)

(**) Term: **14 Years**

(21) Appl. No.: **29/449,106**

(22) Filed: **Mar. 14, 2013**

(51) **LOC (10) Cl.** **19-04**

(52) **U.S. Cl.**
USPC **D19/32**

(58) **Field of Classification Search**
USPC D19/26, 27, 28, 32, 100, 199, 202, 203;
281/3.1, 4, 15.1, 21.1, 27.1, 28, 42, 44,
(Continued)

(56) **References Cited**

U.S. PATENT DOCUMENTS

1,601,032 A * 9/1926 McMillan B42F 13/0026
402/2
1,845,445 A * 2/1932 Schlichting B42F 13/006
40/649

(Continued)

OTHER PUBLICATIONS

Canadian Intellectual Property Office Examiner's Report, issued in
connection with Canadian Patent Application No. 152909, issued on
Sep. 3, 2014, 2 pages.

(Continued)

Primary Examiner — Ian Simmons
Assistant Examiner — Ieisha Price

(74) *Attorney, Agent, or Firm* — Hanley, Flight &
Zimmerman, LLC

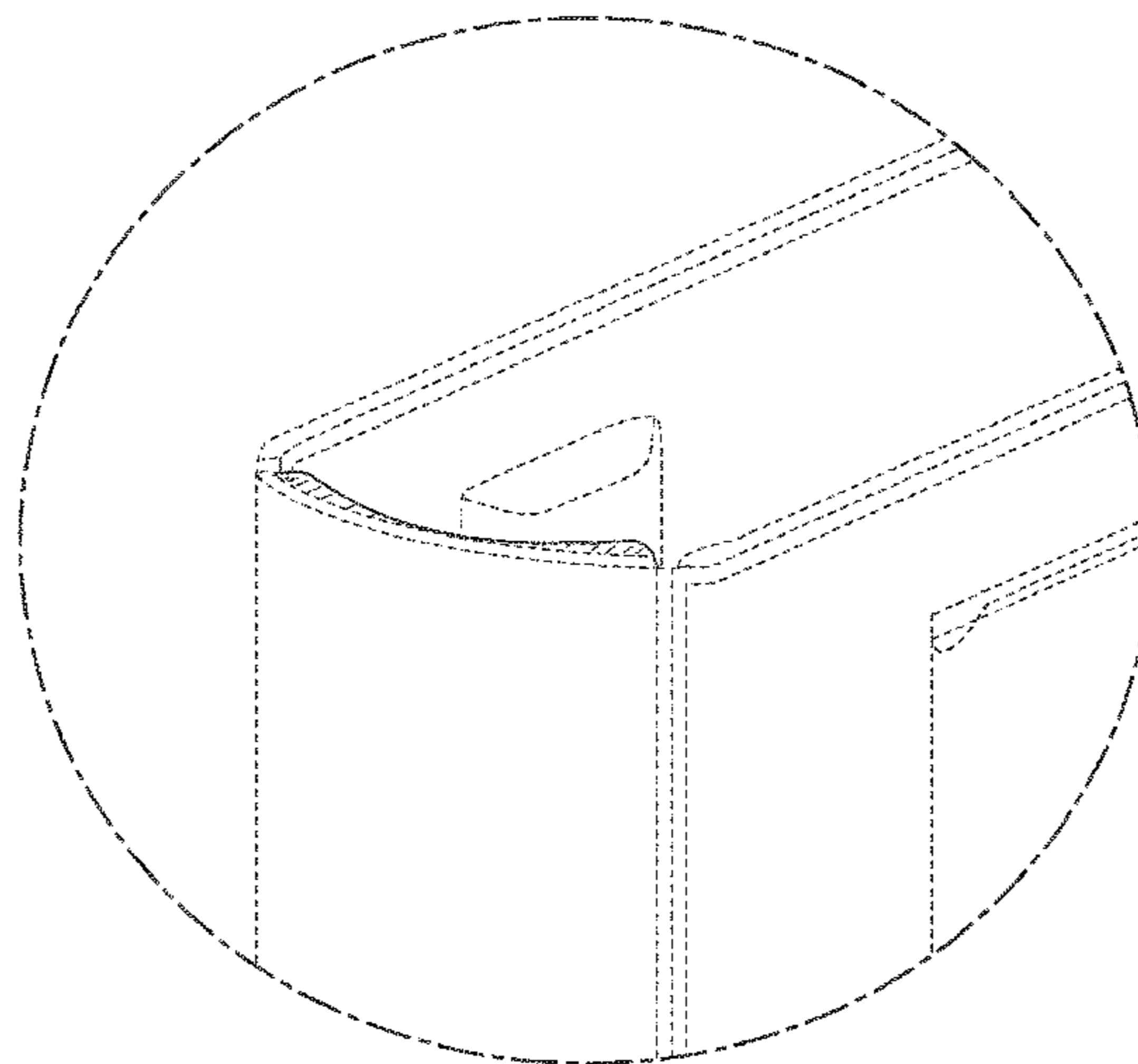
(57) **CLAIM**

The ornamental design for a spine of a binder, as shown and
described.

DESCRIPTION

FIG. 1 is an isometric view of a spine of a binder.
FIG. 2 is an inside top plan view of the spine of a binder of
FIG. 1.
FIG. 3 is an outside top plan view of the spine of a binder
of FIG. 1.
FIG. 4 is an end view of the spine of a binder of FIG. 1.
FIG. 5 is the opposing end view of the spine of a binder of
FIG. 4.
FIG. 6 is a side view of the spine of a binder of FIG. 1.
FIG. 7 is the opposing side view of the spine of a binder of
FIG. 6.
FIG. 8 is an enlarged partial end view of the spine of a binder
of FIG. 4
FIG. 9 is an enlarged isometric view of the spine of a binder
of FIG. 1 taken along circle 9 of FIG. 1.
FIG. 10 is an enlarged inside top plan view of the spine of
a binder of FIG. 1.
FIG. 11 is an enlarged isometric inside view of the spine of
a binder of FIG. 1 taken along the indication circle of FIG.
2.
FIG. 12 is an enlarged isometric inside view of the spine of
a binder of FIG. 1 taken along the indication circle of FIG.
2; and,
FIG. 13 is an enlarged isometric inside view of the spine of
a binder of FIG. 1 taken along the indication circle of FIG.
2.
The broken lines showing of the binder represent the envi-
ronment of the claimed design. The broken lines form no
part of the claimed design. The dot-dash-dot lines shown in
the drawings form no part of the claimed design.

1 Claim, 8 Drawing Sheets



(58) **Field of Classification Search**

USPC 281/45, 51; 402/1, 3, 5, 13, 19, 26, 60,
402/61, 64, 68, 70, 71, 73, 80 R; 462/71,
462/72, 75, 76, 84
CPC B42F 13/0026; B42F 13/004; B42F 13/16;
B42F 13/0006

See application file for complete search history.

(56) **References Cited**

U.S. PATENT DOCUMENTS

1,848,980 A * 3/1932 Walker 281/15.1
D201,663 S * 7/1965 Bifaro D19/27
4,294,558 A * 10/1981 Errichiello A45C 3/02
206/215
5,209,593 A * 5/1993 Ros A45C 3/02
206/204
D412,530 S 8/1999 Bould
D504,463 S * 4/2005 Wehmeyer D19/26
2005/0053417 A1* 3/2005 Yamamoto et al. 402/73
2005/0058502 A1* 3/2005 Ben-Or 402/70
2015/0056000 A1* 2/2015 Hu B42F 13/0073
402/70
2015/0104238 A1* 4/2015 Le B42F 13/26
402/41

OTHER PUBLICATIONS

Canadian Intellectual Property Office Examiner's Report, issued in connection with Canadian Patent Application No. 152909, mailed on Mar. 31, 2014, 2 pages.

* cited by examiner

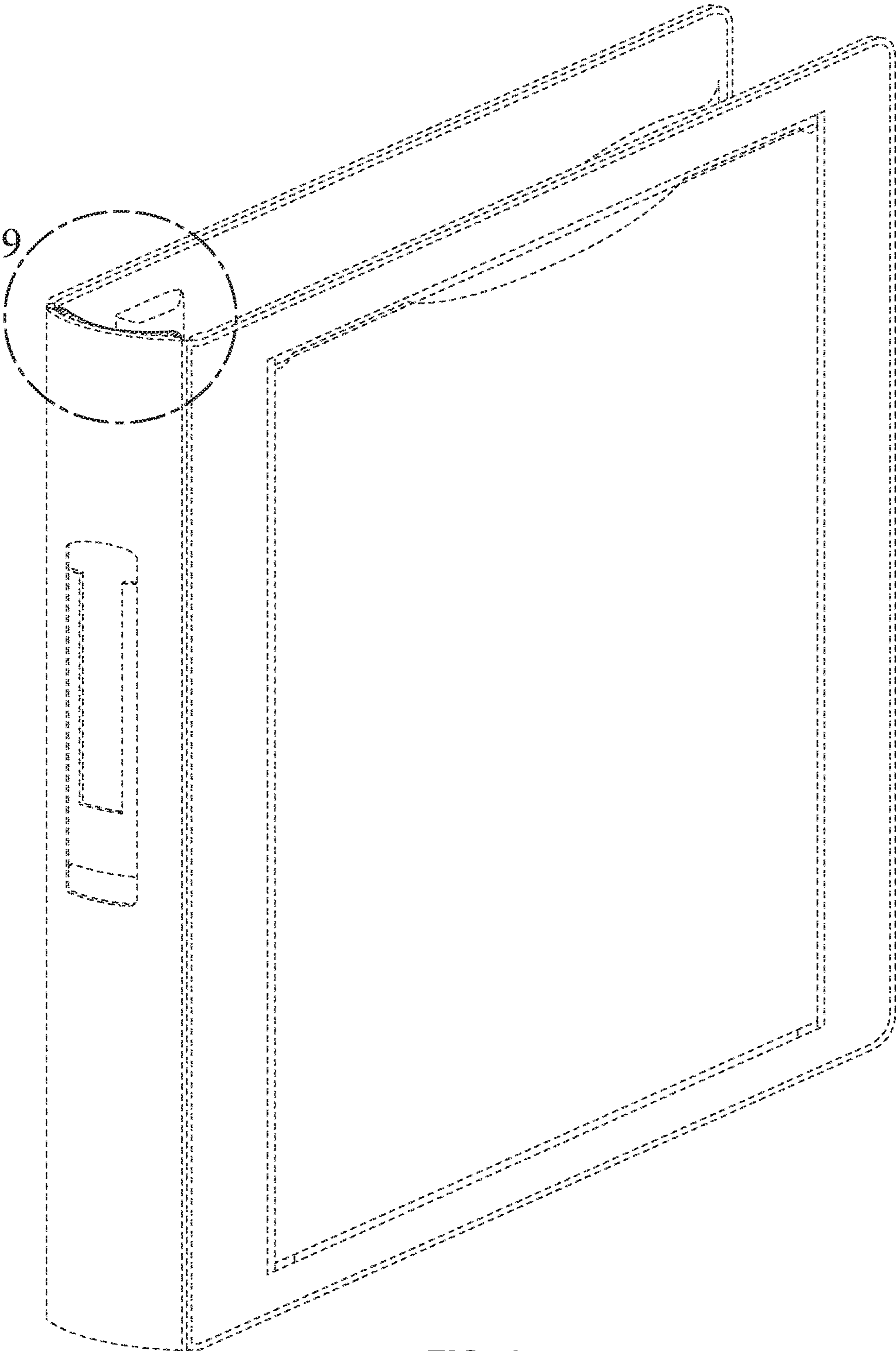


FIG. 1

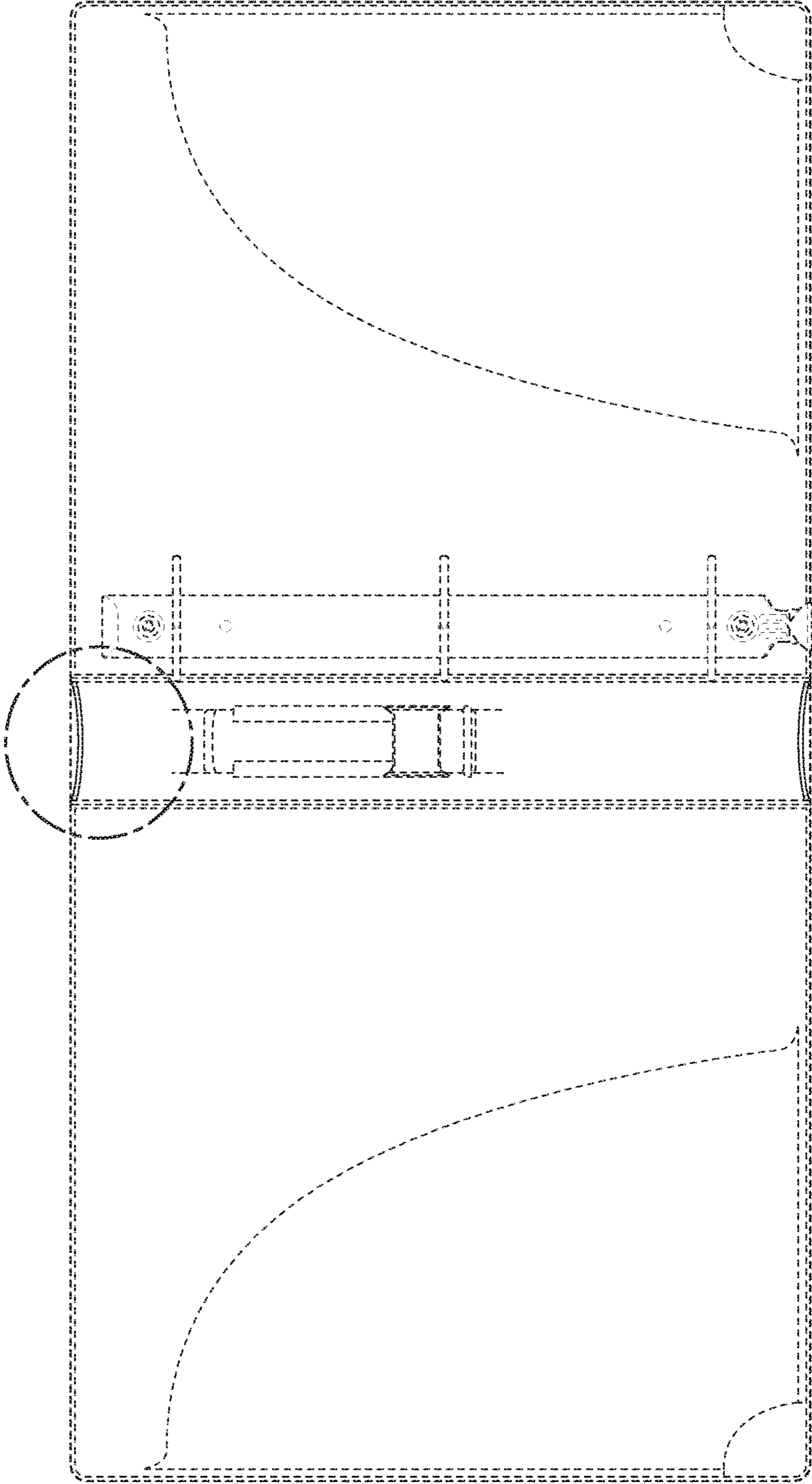


FIG. 2

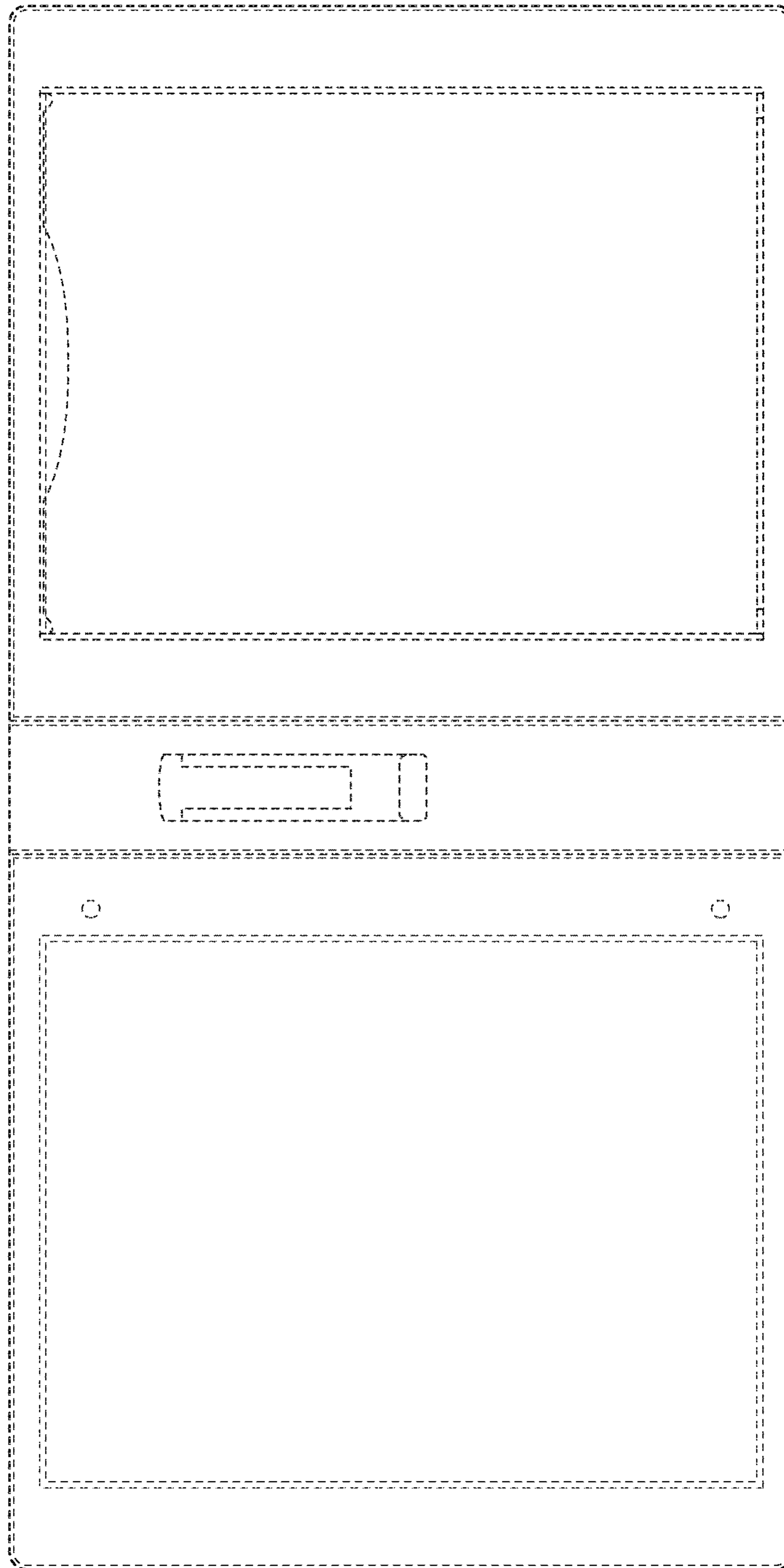


FIG. 3



FIG. 4



FIG. 5

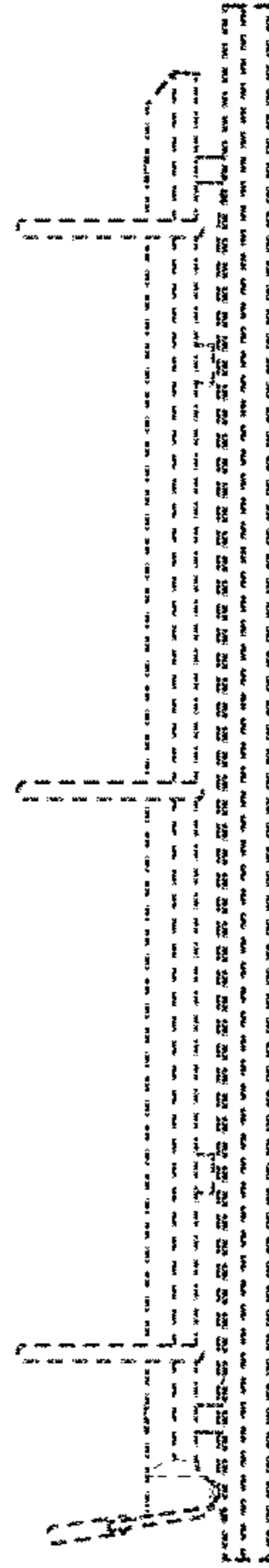


FIG. 6

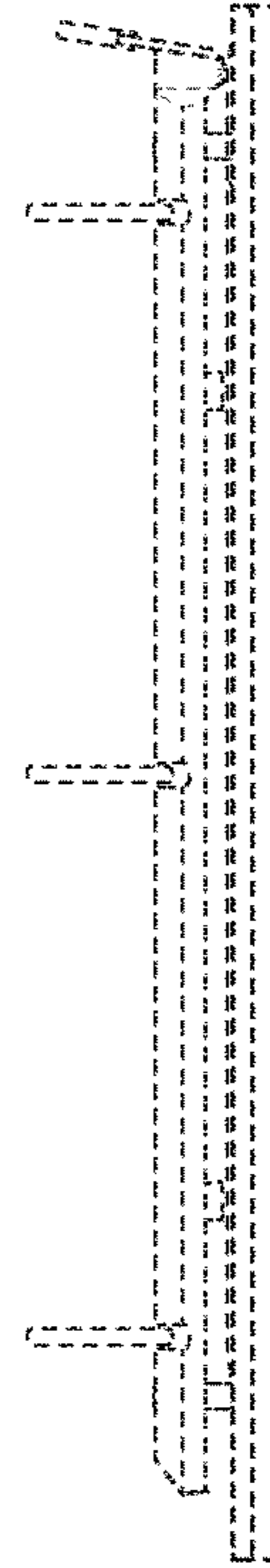


FIG. 7

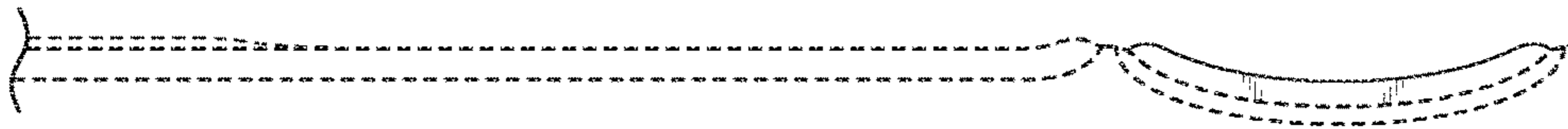


FIG. 8

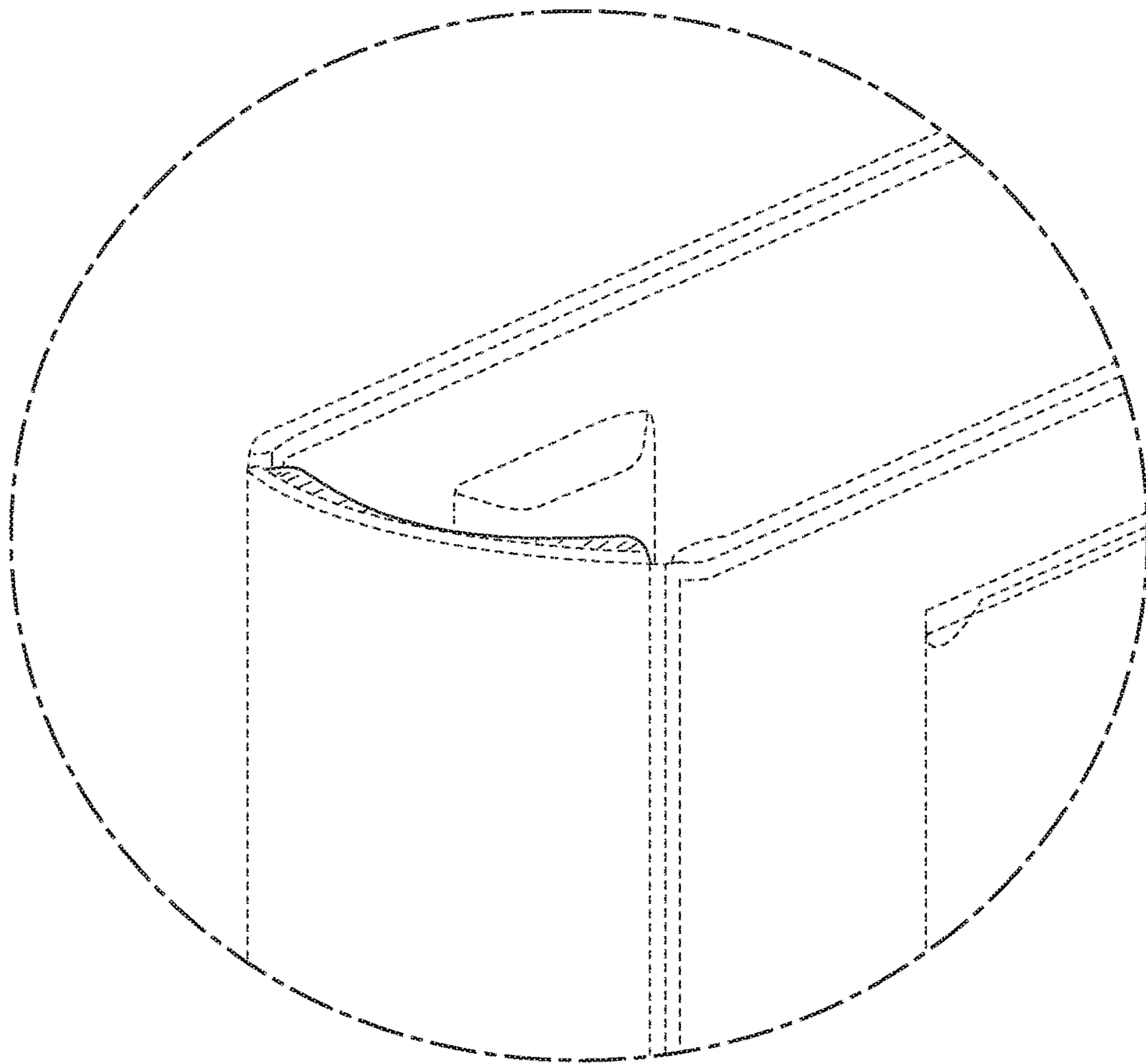


FIG. 9

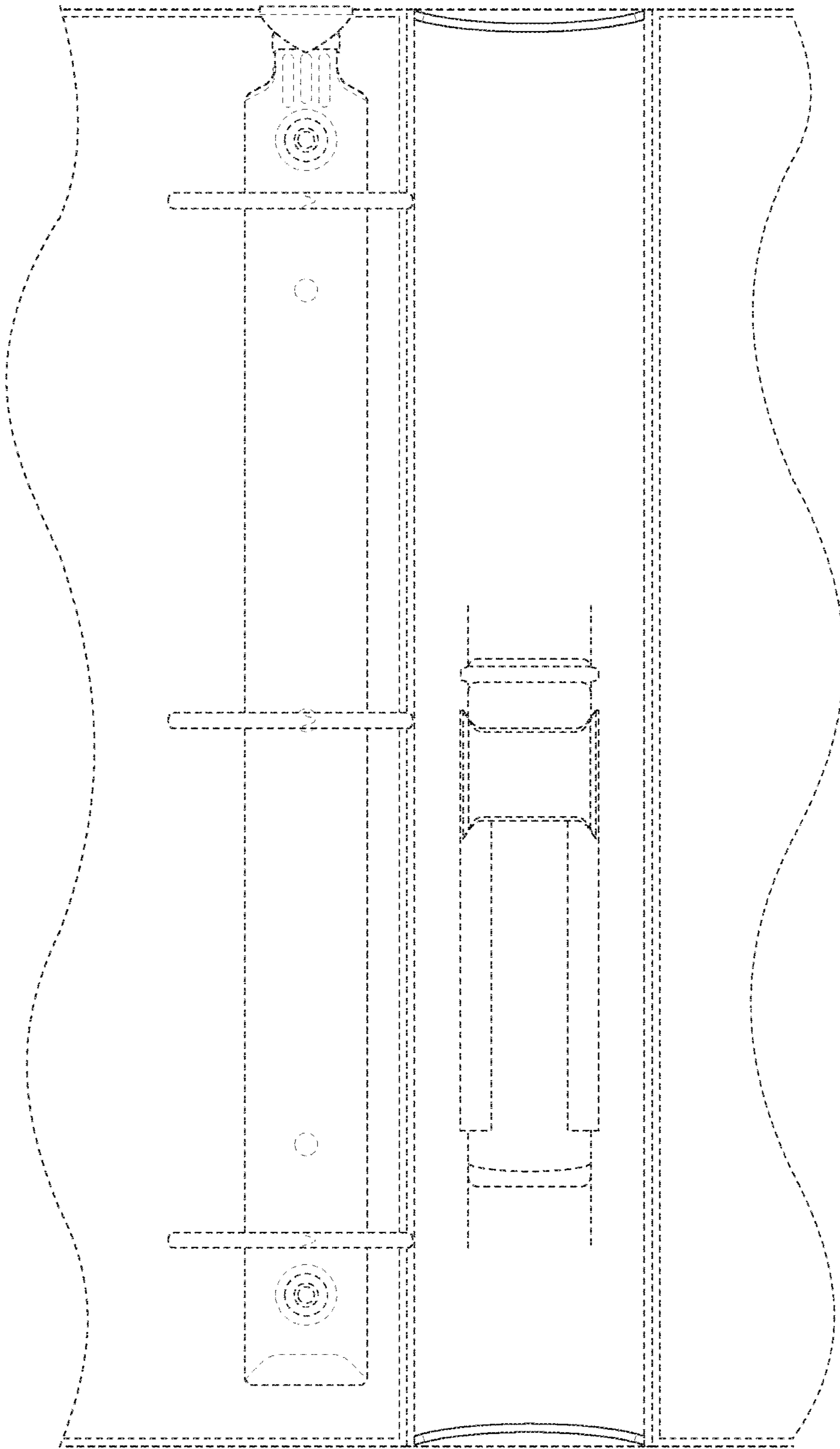


FIG. 10

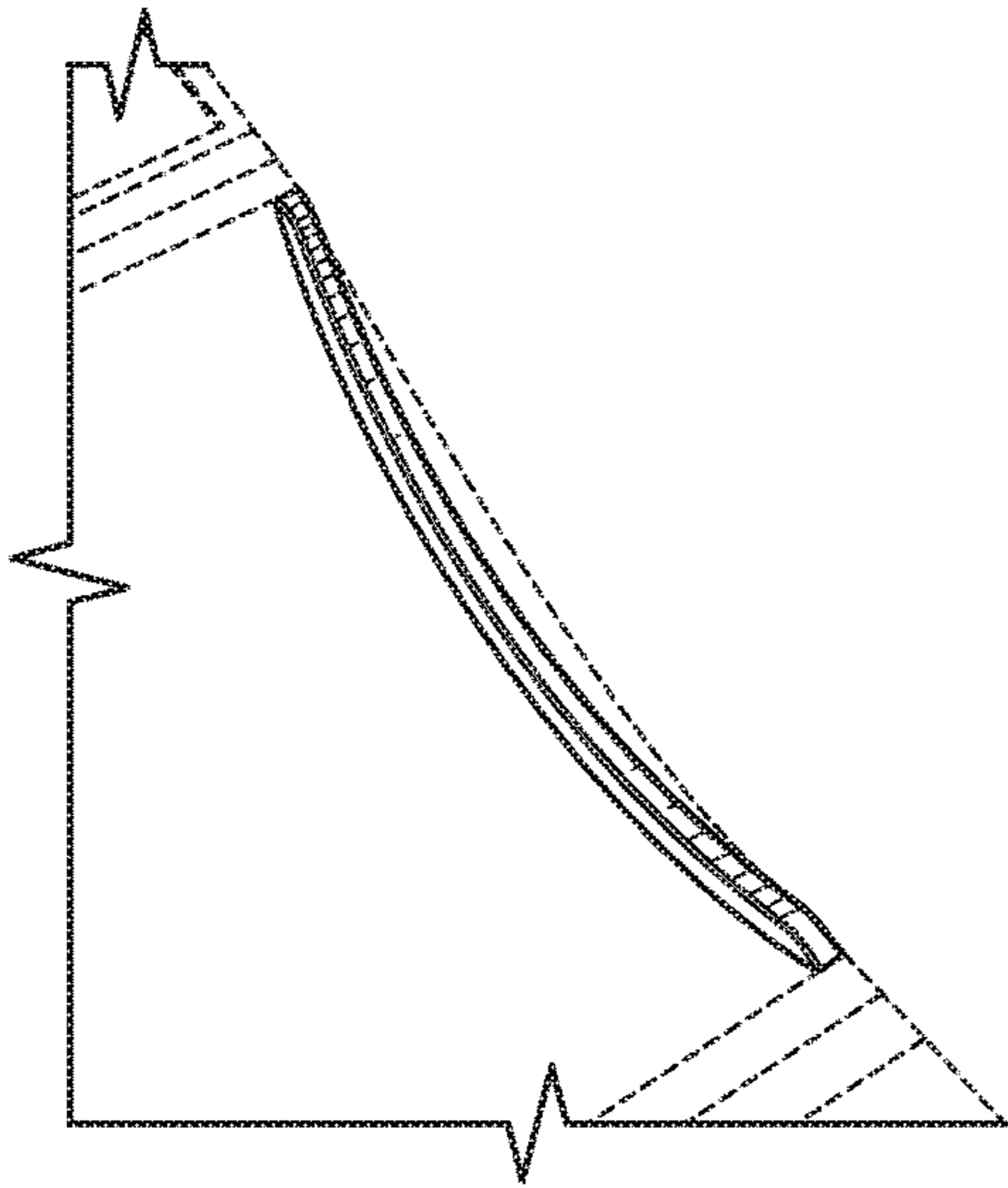


FIG. 11

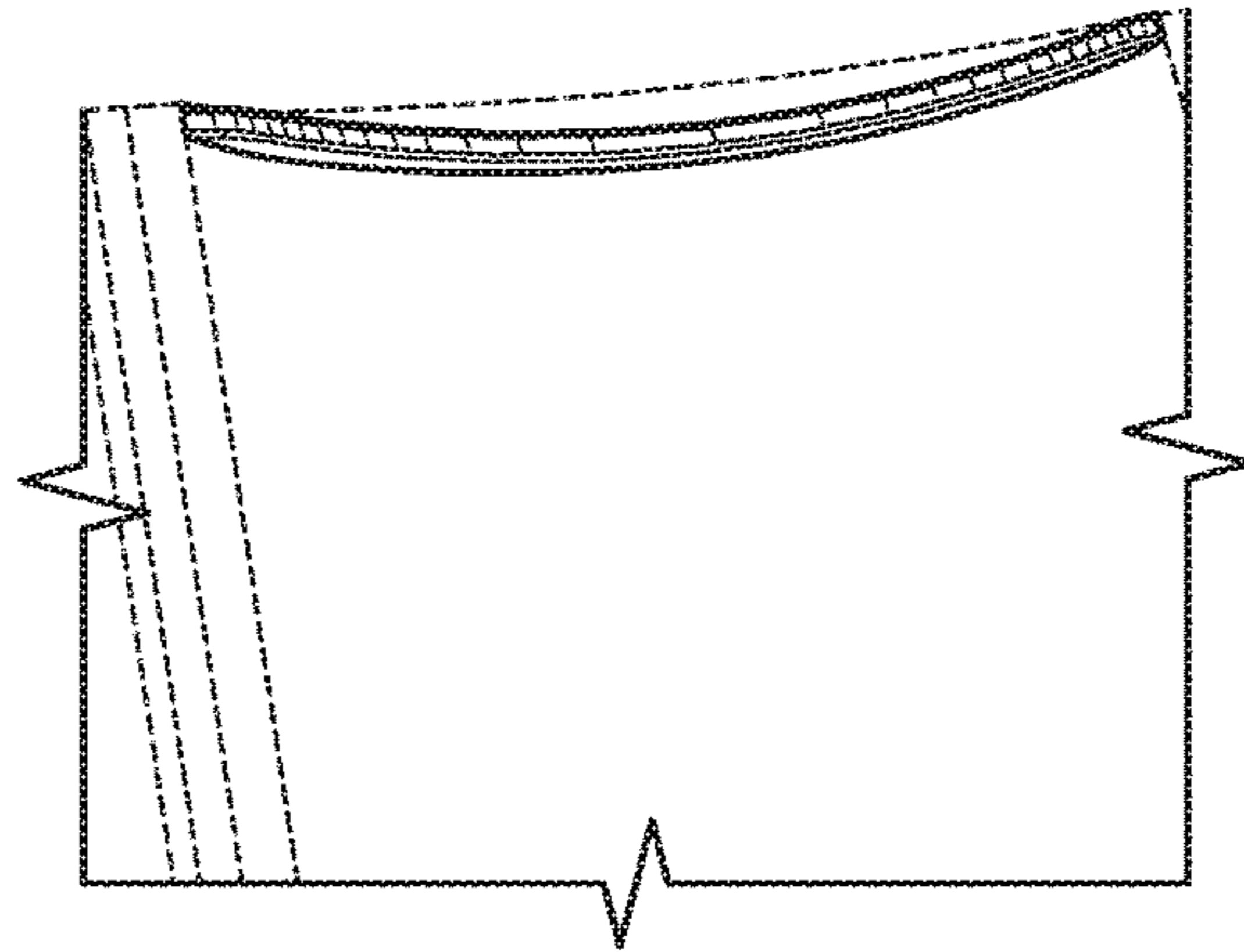


FIG. 12

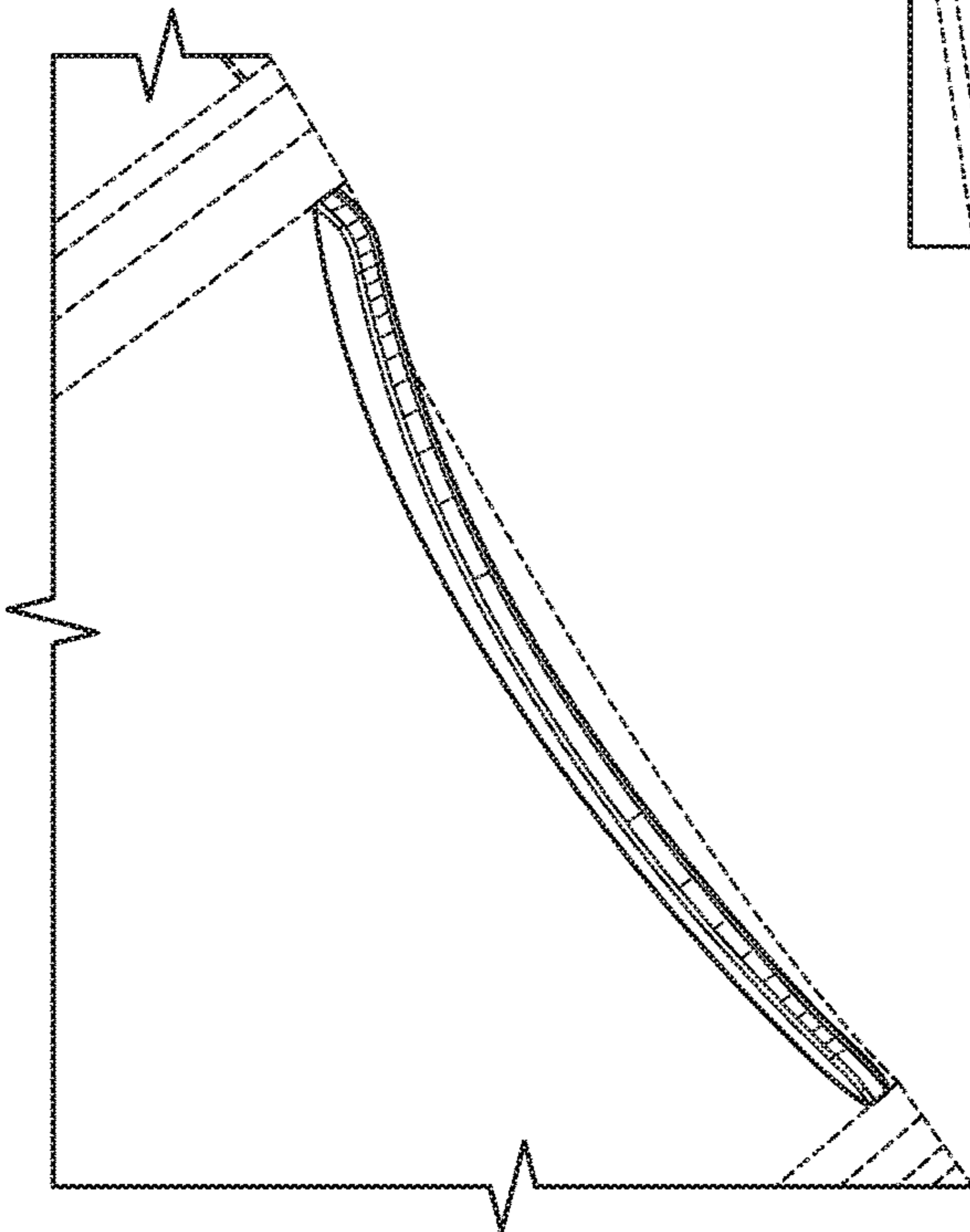


FIG. 13