



US00D784446S

(12) **United States Design Patent** (10) **Patent No.:** **US D784,446 S**
Myricks et al. (45) **Date of Patent:** **** Apr. 18, 2017**

(54) **GREETING CARD WITH INTEGRAL GIFT CARD**

(71) Applicants: **Julius T. Myricks**, Grove City, OH (US); **Yvonne G. Berscheid**, Grove City, OH (US)

(72) Inventors: **Julius T. Myricks**, Grove City, OH (US); **Yvonne G. Berscheid**, Grove City, OH (US)

(**) Term: **14 Years**

(21) Appl. No.: **29/514,241**

(22) Filed: **Jan. 9, 2015**

Related U.S. Application Data

(63) Continuation-in-part of application No. 13/761,221, filed on Feb. 7, 2013, now abandoned.

(51) **LOC (10) Cl.** **19-01**

(52) **U.S. Cl.**
USPC **D19/2**

(58) **Field of Classification Search**
USPC D19/1-12; 40/124.01-124.15, 661, 726, 40/776, 1.5, 672, 617, 360, 625; 283/70, 283/72, 105, 56, 80-82, 61, 79, 97-98, 283/62, 117; D20/22, 27, 40; 281/2, 10, 281/12; 428/42.1; 235/380, 435, 382, 235/436, 449, 454, 462.1, 468-469; 229/92.8
CPC .. B42D 15/022; B42D 15/042; B42D 15/027; B42D 15/045; B42D 25/00; B42D 25/20; B42D 25/23; B42D 25/26; B42D 25/29; B42D 25/30; B42D 25/285; B42D 2033/00; B42D 2033/02; B42D 2033/04; B42D 2033/08; B42D 2033/10; B42D 2033/16; B42D 2033/18; B42D 2033/20; B42D 2033/22; B42D 2033/28; B42D 2033/30

See application file for complete search history.

(56) **References Cited**

U.S. PATENT DOCUMENTS

4,070,778	A *	1/1978	Mahler	G09F 1/00 229/92.8
4,200,222	A	4/1980	Feuer	
4,484,768	A *	11/1984	Norfleet	B42D 15/02 229/92.8
5,629,977	A	5/1997	Fonseca	
6,493,970	B1	12/2002	McCarthy et al.	
6,698,116	B2	3/2004	Waldron	
D493,829	S *	8/2004	Foster	D19/2
D497,178	S *	10/2004	Weir	D19/2
7,024,807	B2	4/2006	Street	

(Continued)

Primary Examiner — Abraham Bahta

(74) *Attorney, Agent, or Firm* — Robert C. Montgomery; Montgomery Patent & Design LP

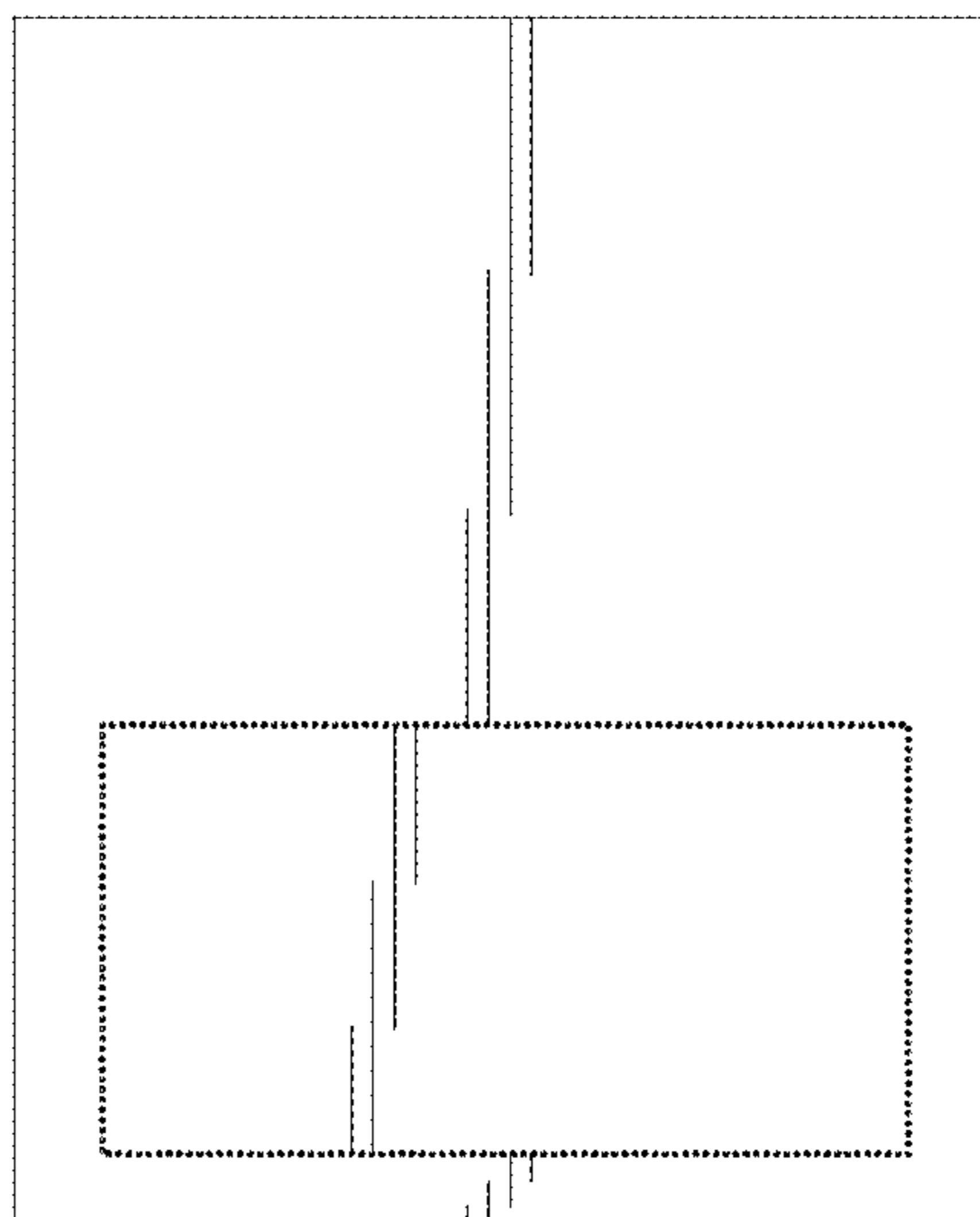
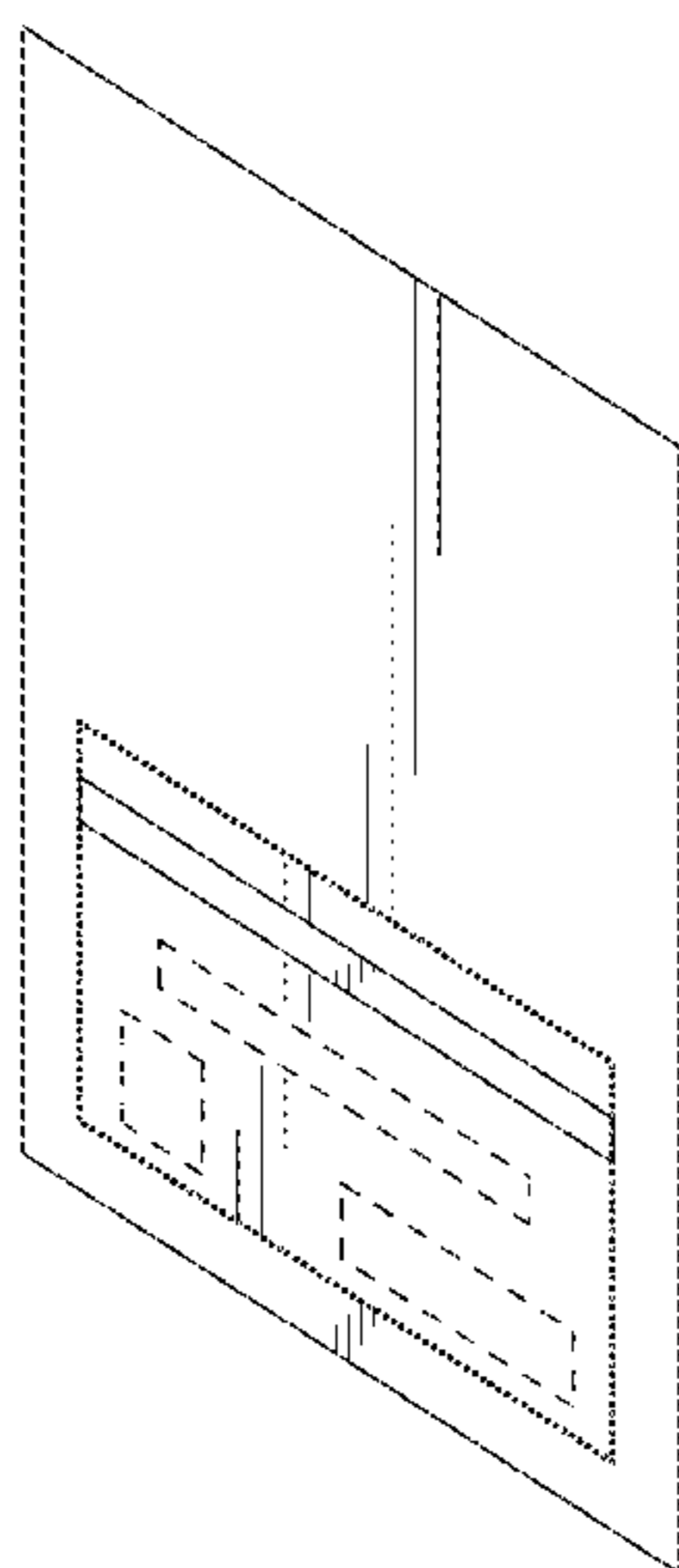
(57) **CLAIM**

The ornamental design for a greeting card with integral gift card, as shown and described.

DESCRIPTION

FIG. 1 is a front perspective view of the first embodiment of the greeting card with integral gift card showing our new design;
FIG. 2 is a front view thereof;
FIG. 3 is a rear view thereof;
FIG. 4 is a front perspective view of the second greeting card with integral gift card; and,
FIG. 5 is a front perspective view of a third embodiment of the greeting card with integral gift card.
The broken line showing of a boundary areas is included for the purpose of illustrating environmental structure and forms no part of the claimed design. The dotted lines are included to show perforations and are part of the claimed design.
The greeting card with integral gift card has no appreciable thickness.

1 Claim, 5 Drawing Sheets



(56)

References Cited

U.S. PATENT DOCUMENTS

D545,359 S *	6/2007	Bramhall	D19/1
D649,587 S *	11/2011	Nemeth	D19/1
D658,230 S *	4/2012	Segal	D19/2
D731,587 S *	6/2015	Peters	D19/1
2006/0184386 A1	8/2006	Merritt	

* cited by examiner

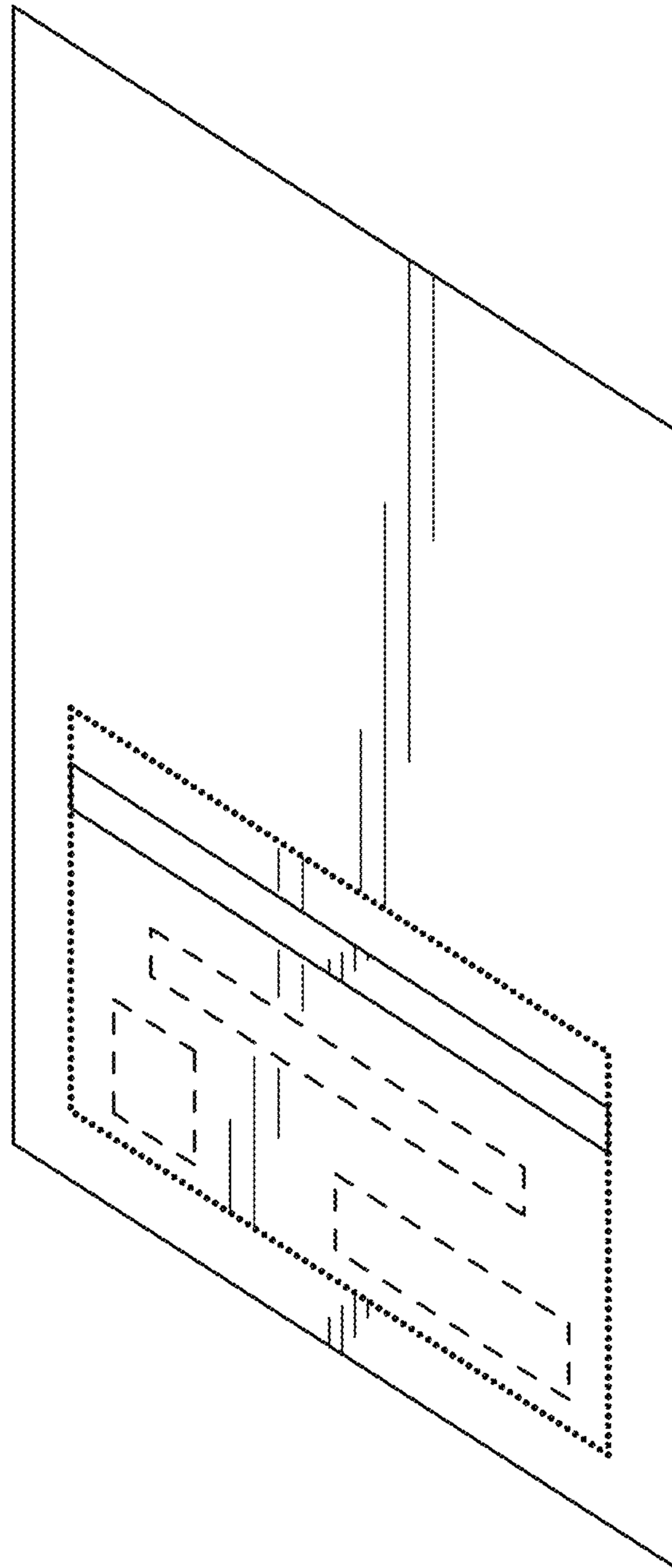


Fig. 1

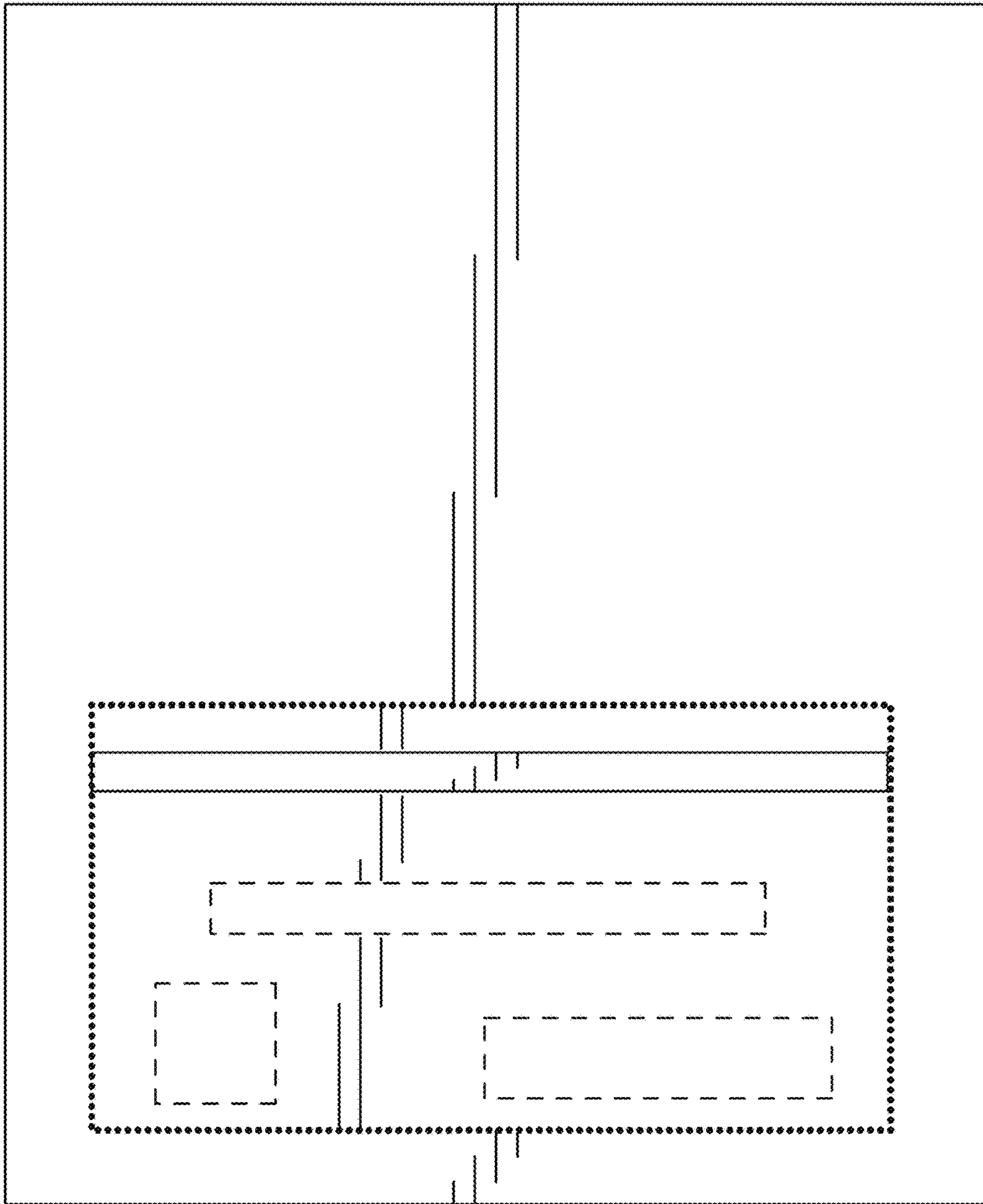


Fig. 2

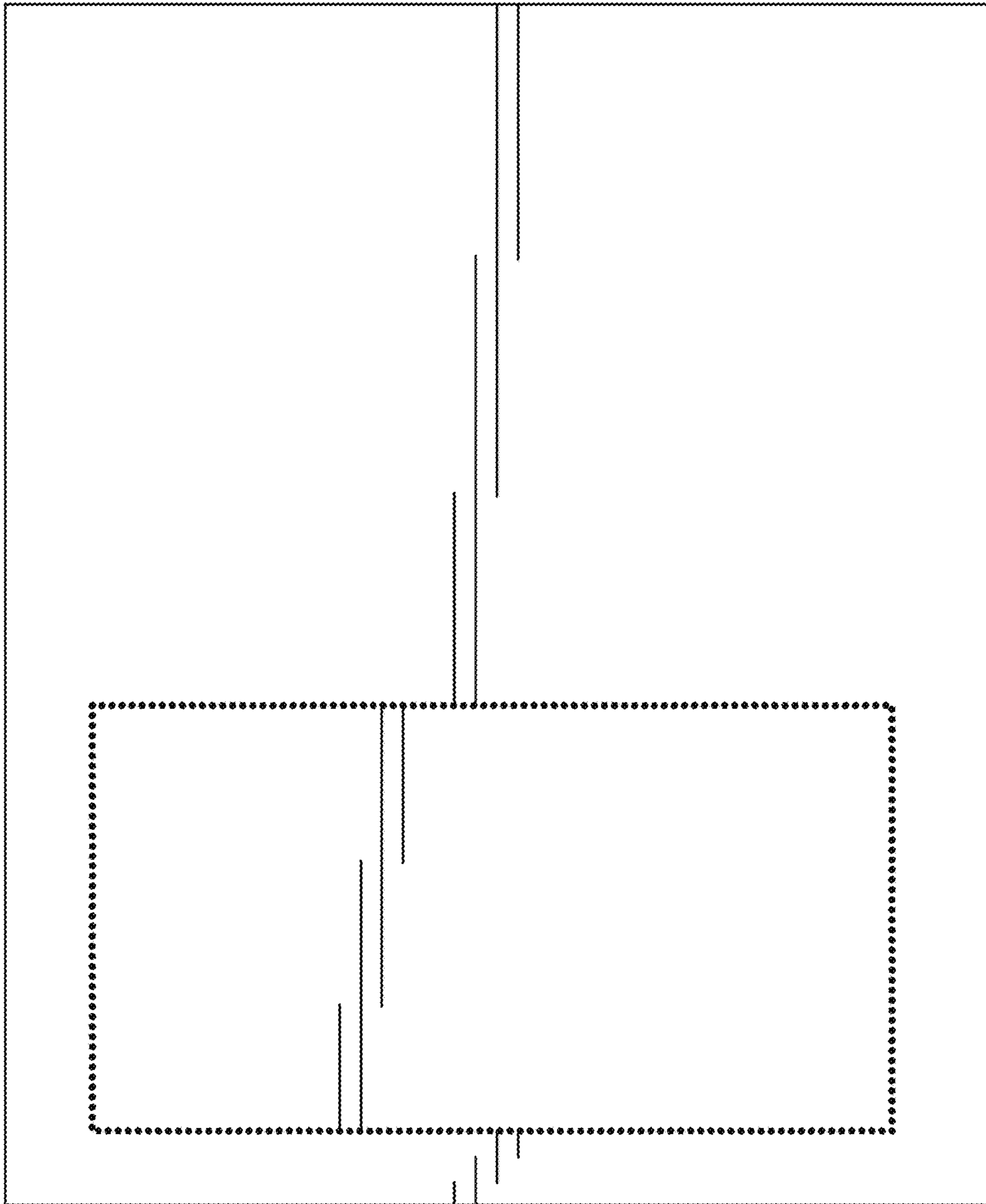


Fig. 3

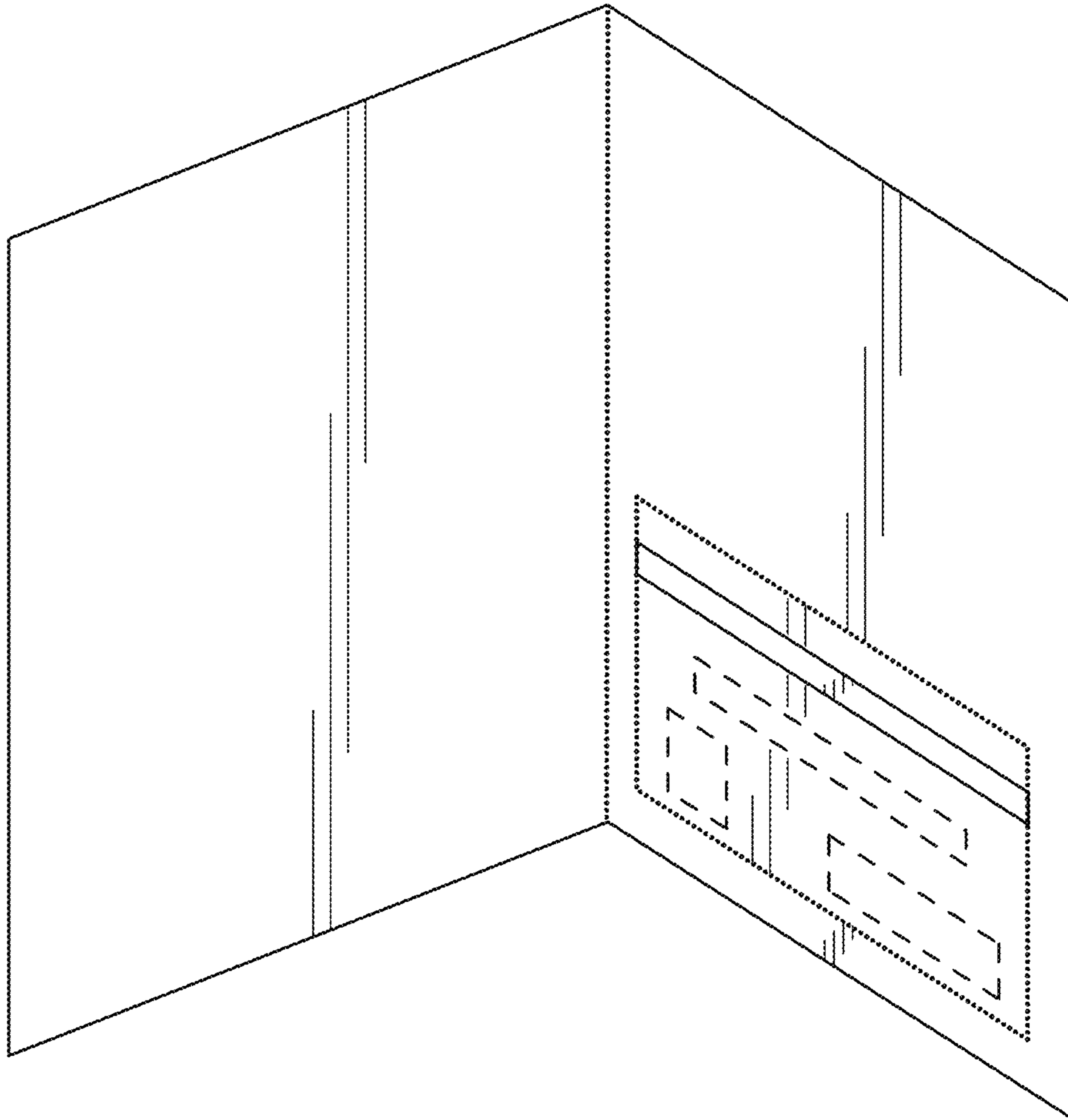


Fig. 4

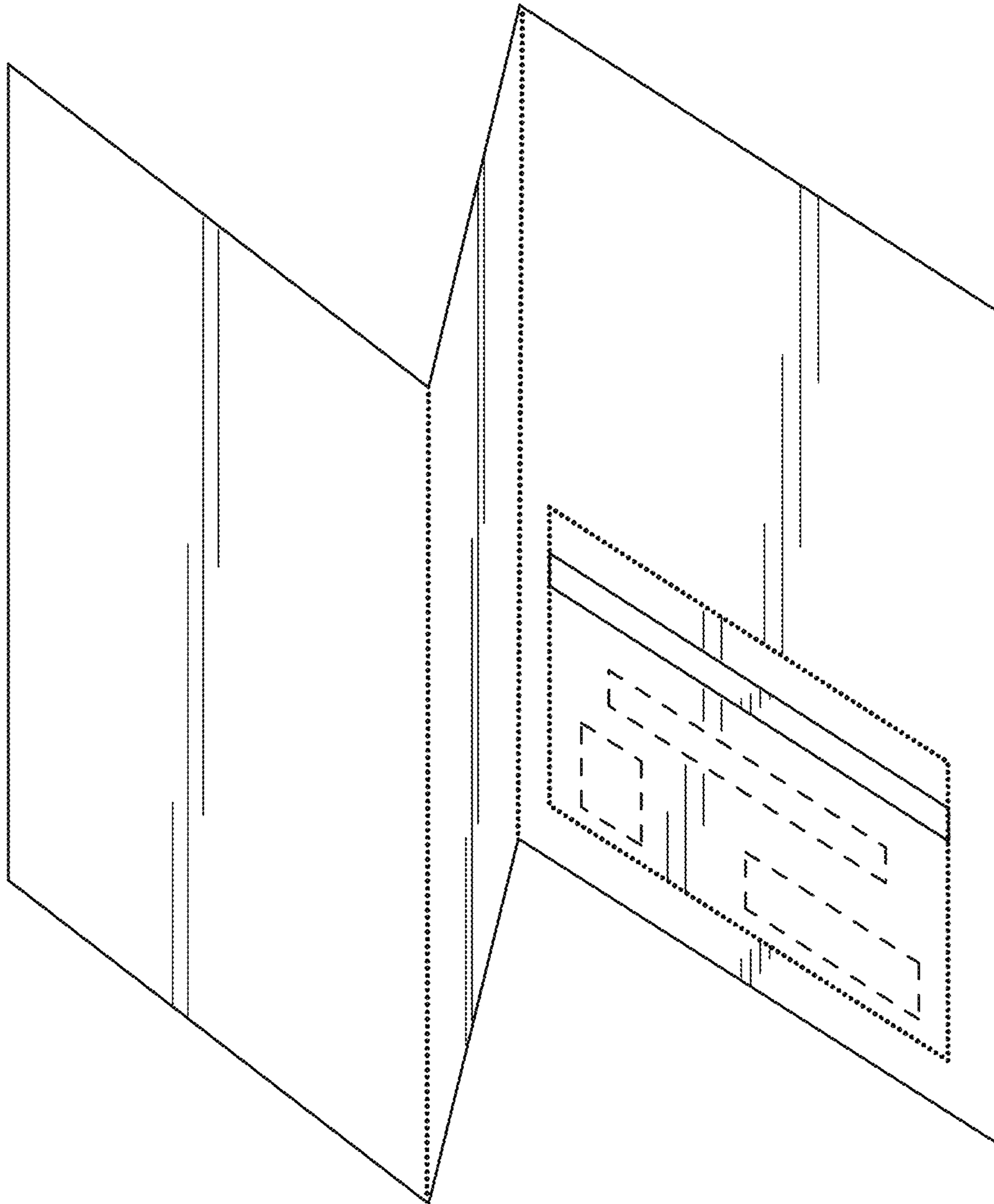


Fig. 5