



US00D784441S

(12) **United States Design Patent** (10) **Patent No.:** **US D784,441 S**  
**Garfias** (45) **Date of Patent:** **\*\* Apr. 18, 2017**

- (54) **GOGGLE**
- (71) Applicant: **Oakley, Inc.**, Foothill Ranch, CA (US)
- (72) Inventor: **Nicolas Adolfo Garfias**, Long Beach, CA (US)
- (73) Assignee: **Oakley, Inc.**, Foothill Ranch, CA (US)
- (\*\*) Term: **15 Years**
- (21) Appl. No.: **29/541,218**
- (22) Filed: **Oct. 1, 2015**
- (51) **LOC (10) Cl.** ..... **16-06**
- (52) **U.S. Cl.**  
USPC ..... **D16/312**
- (58) **Field of Classification Search**  
USPC ..... D16/101, 300-342, 900; D29/109-110;  
D21/483, 659-661; D14/372; 351/41,  
351/44, 45-48, 51-52, 62, 158, 92,  
351/103-123, 140-153, 63, 59; 2/13, 15,  
2/426-432, 447-449, 441, 434-437  
CPC ..... G02C 2200/08; G02C 1/06; G02C 5/14;  
G02C 11/02; G02C 11/04; G02C 5/16;  
G02C 2200/22; G02C 5/146; G02C  
5/2254; G02C 5/008; G01C 5/16; A61M  
2021/0044; A63B 33/002  
See application file for complete search history.

(56) **References Cited**

**U.S. PATENT DOCUMENTS**

3,517,393	A *	6/1970	Beauchef .....	G02C 11/08 2/436
3,945,044	A	3/1976	McGee et al.	
D242,666	S *	12/1976	Smith .....	D16/312
4,428,081	A	1/1984	Smith	
4,455,689	A	6/1984	Boyer	
D358,159	S	5/1995	Lai	
D369,174	S *	4/1996	Cooper .....	D16/314
D375,317	S *	11/1996	Canavan .....	D16/101

D390,248	S *	2/1998	Pranger .....	D16/311
D405,102	S *	2/1999	Moritz .....	D16/312
D427,225	S *	6/2000	Arnette .....	D16/312
D428,039	S	7/2000	Thixton	
D439,596	S *	3/2001	Bolle .....	D16/312
D477,010	S	7/2003	Moritz et al.	
D503,422	S *	3/2005	Canavan .....	D16/101
D508,939	S *	8/2005	Hussey .....	D16/312
D509,236	S *	9/2005	Sheldon .....	D16/306
D510,378	S *	10/2005	Dondero .....	D16/312
D519,147	S	4/2006	Moritz et al.	
D524,352	S *	7/2006	Hsu .....	D16/312
D527,752	S *	9/2006	Canavan .....	D16/101
D527,757	S *	9/2006	Chen .....	D16/312
D537,099	S *	2/2007	Saderholm .....	D16/312
D537,100	S *	2/2007	Moritz .....	D16/312
D538,834	S *	3/2007	Mangum .....	D16/312
D541,328	S *	4/2007	Saderholm .....	D16/312
D542,327	S	5/2007	Hsu	

(Continued)

*Primary Examiner* — Rosemary K Tarcza  
*Assistant Examiner* — Sanjeev Paul  
 (74) *Attorney, Agent, or Firm* — Knobbe Martens Olson & Bear, LLP

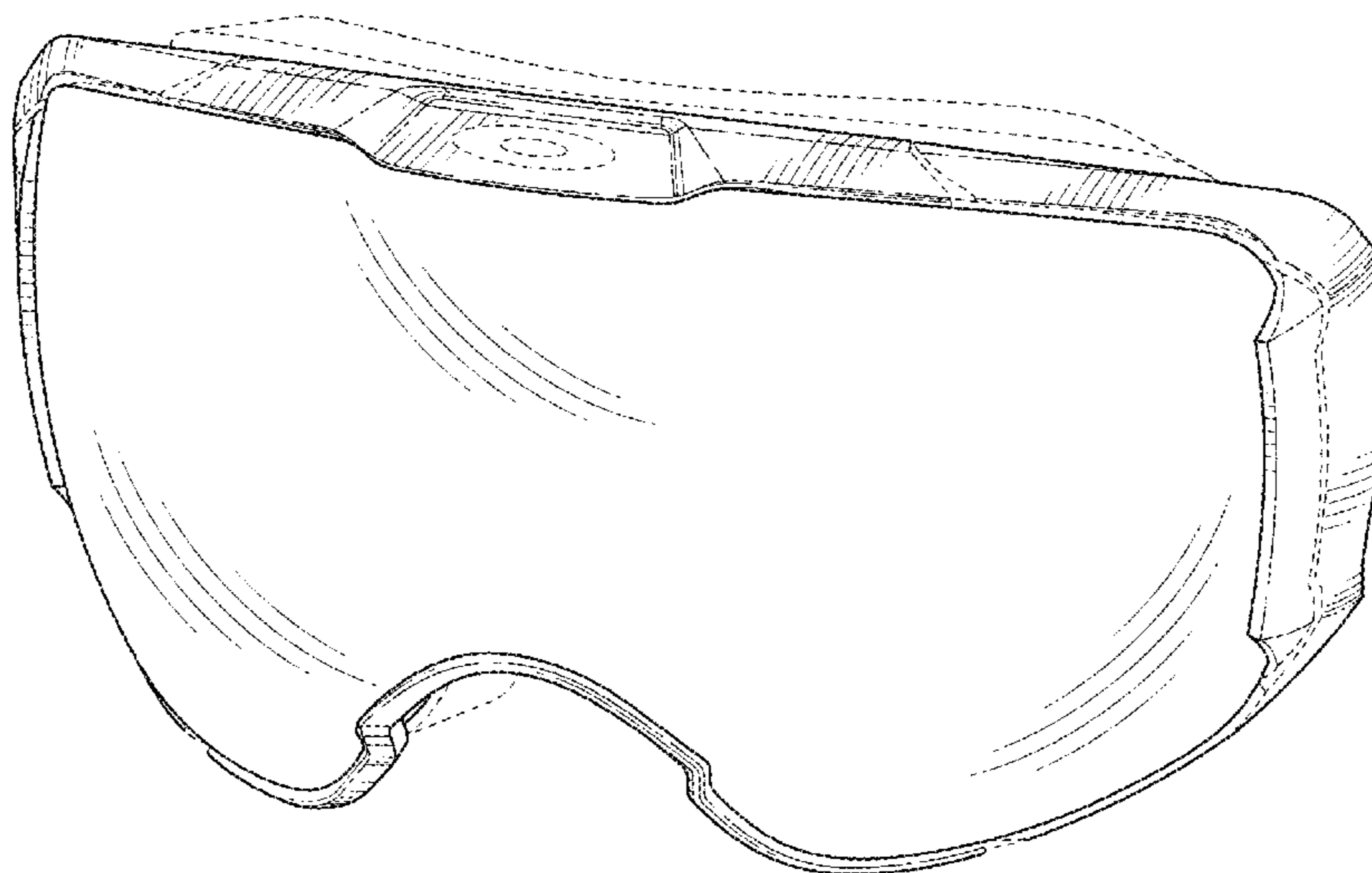
(57) **CLAIM**

The ornamental design for a goggle, as shown and described.

**DESCRIPTION**

FIG. 1 is a front perspective view of a goggle showing an embodiment of the new design;  
 FIG. 2 is a front elevational view thereof;  
 FIG. 3 is a rear elevational view thereof;  
 FIG. 4 is a left side elevational view thereof, the right side elevational view being a mirror image thereof;  
 FIG. 5 is a top plan view thereof; and,  
 FIG. 6 is a bottom plan view thereof.  
 The broken lines in the Figures show portions of the goggle which form no part of the claimed design.

**1 Claim, 4 Drawing Sheets**



(56)

References Cited

U.S. PATENT DOCUMENTS

D542,829 S 5/2007 Hsu  
 D542,830 S \* 5/2007 Hsu ..... D16/312  
 D543,571 S \* 5/2007 Love ..... D16/312  
 D544,015 S \* 6/2007 Fuchs ..... D16/314  
 D547,354 S \* 7/2007 Fuchs ..... D16/312  
 D548,251 S \* 8/2007 Broersma ..... D16/101  
 D550,749 S \* 9/2007 Chiang ..... D16/311  
 D551,278 S \* 9/2007 Moritz ..... D16/312  
 D551,280 S \* 9/2007 Li ..... D16/312  
 D552,662 S \* 10/2007 Woxing ..... D16/312  
 D556,238 S \* 11/2007 Yang ..... D16/312  
 D556,811 S \* 12/2007 Bruck ..... D16/312  
 D556,812 S \* 12/2007 Wang-Lee ..... D16/312  
 D559,299 S \* 1/2008 Tabacchi ..... D16/303  
 D569,411 S \* 5/2008 Chiang ..... D16/311  
 D574,409 S \* 8/2008 Stanley ..... D16/312  
 D577,054 S \* 9/2008 Moritz ..... D16/312  
 D578,562 S 10/2008 Moritz  
 D581,964 S \* 12/2008 Hooper ..... D16/311  
 D588,624 S \* 3/2009 Yang ..... D16/311  
 D592,694 S \* 5/2009 Fuchs ..... D16/312  
 D595,332 S \* 6/2009 Yang ..... D16/312  
 D598,040 S \* 8/2009 Sheldon ..... D16/312  
 D608,816 S \* 1/2010 Wang-Lee ..... D16/312  
 D609,265 S \* 2/2010 Wang-Lee ..... D16/312  
 D610,602 S \* 2/2010 Yun ..... D16/312  
 D611,521 S \* 3/2010 Lampru ..... D16/314  
 D616,483 S \* 5/2010 Moritz ..... D16/312  
 D616,914 S 6/2010 Moritz  
 D626,166 S \* 10/2010 Yang ..... D16/312  
 D626,582 S \* 11/2010 Cheng ..... D16/326  
 D626,987 S \* 11/2010 Yang ..... D16/312  
 D629,034 S \* 12/2010 McNeal ..... D16/312  
 D629,035 S 12/2010 Moritz et al.  
 D629,442 S 12/2010 Tominaga  
 D633,937 S \* 3/2011 Yasuhara ..... D16/312  
 D640,724 S \* 6/2011 Goodman ..... D16/312  
 D649,178 S \* 11/2011 Moritz ..... D16/312  
 D649,577 S \* 11/2011 Goodman ..... D16/312  
 D653,686 S \* 2/2012 Tobia ..... D16/101  
 D653,695 S \* 2/2012 Tobia ..... D16/312

D657,812 S \* 4/2012 Li ..... D16/312  
 D659,742 S \* 5/2012 Chen ..... D16/312  
 D670,753 S \* 11/2012 Chen ..... D16/312  
 D675,244 S \* 1/2013 Orzeck ..... D16/312  
 8,371,691 B2 \* 2/2013 Chiou ..... G02C 9/00  
 351/47  
 D678,932 S 3/2013 Moritz et al.  
 D687,480 S 8/2013 Castro  
 D687,880 S \* 8/2013 McNeal ..... D16/312  
 D687,881 S 8/2013 Ginther et al.  
 D694,806 S \* 12/2013 Mage ..... D16/312  
 D695,335 S \* 12/2013 Goodman ..... D16/312  
 D695,818 S \* 12/2013 Laperriere ..... D16/312  
 D698,854 S \* 2/2014 McNeal ..... D16/312  
 D700,929 S \* 3/2014 McNeal ..... D16/312  
 D704,249 S \* 5/2014 Orzeck ..... D16/309  
 D711,961 S \* 8/2014 Arnette ..... D16/312  
 D714,378 S \* 9/2014 Sandor ..... D16/313  
 D715,350 S \* 10/2014 Moritz ..... D16/312  
 D717,851 S \* 11/2014 Arnette ..... D16/101  
 D718,369 S \* 11/2014 Janavicius ..... D16/312  
 D723,094 S \* 2/2015 Chen ..... D16/312  
 D725,175 S \* 3/2015 Wang-Lee ..... D16/312  
 D726,378 S \* 4/2015 Wako ..... D29/110  
 D727,398 S \* 4/2015 Blanchard ..... D16/312  
 D727,400 S \* 4/2015 Blanchard ..... D16/314  
 D729,303 S \* 5/2015 Laperriere ..... D16/326  
 D757,833 S \* 5/2016 Pfanner ..... D16/101  
 D761,344 S \* 7/2016 Chen ..... D16/312  
 2003/0110552 A1 \* 6/2003 Youmans ..... A61F 9/028  
 2/426  
 2003/0233702 A1 \* 12/2003 Chen ..... A61F 9/027  
 2/428  
 2008/0030674 A1 \* 2/2008 Huang ..... G02C 5/00  
 351/41  
 2008/0301857 A1 \* 12/2008 Wang-Lee ..... A61F 9/025  
 2/431  
 2012/0236250 A1 \* 9/2012 Yang ..... G02C 7/02  
 351/62  
 2013/0185849 A1 \* 7/2013 Laughlin ..... A61F 9/025  
 2/431  
 2014/0033408 A1 \* 2/2014 Currens ..... A61F 9/025  
 2/431

\* cited by examiner



FIG. 1

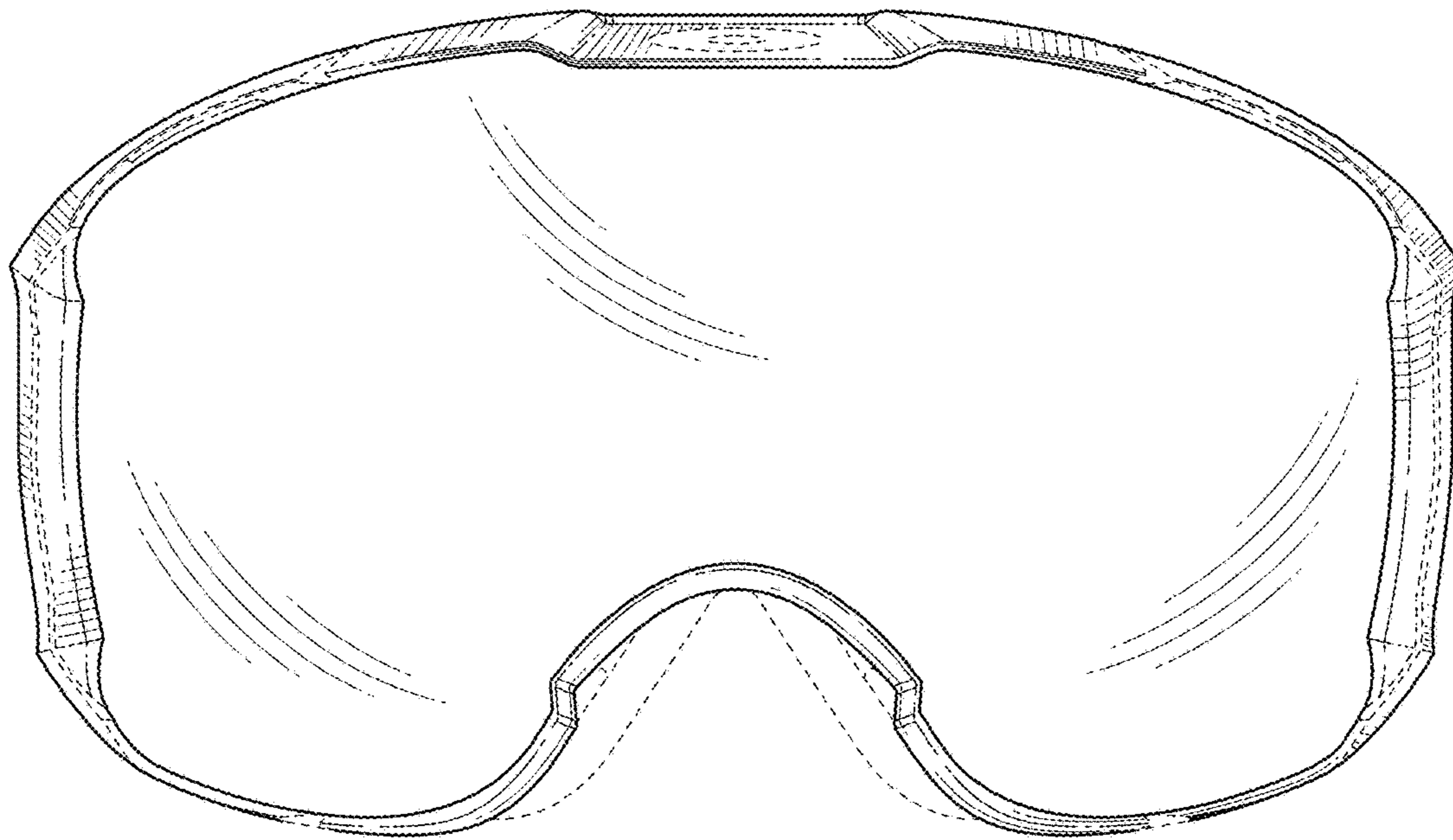


FIG. 2

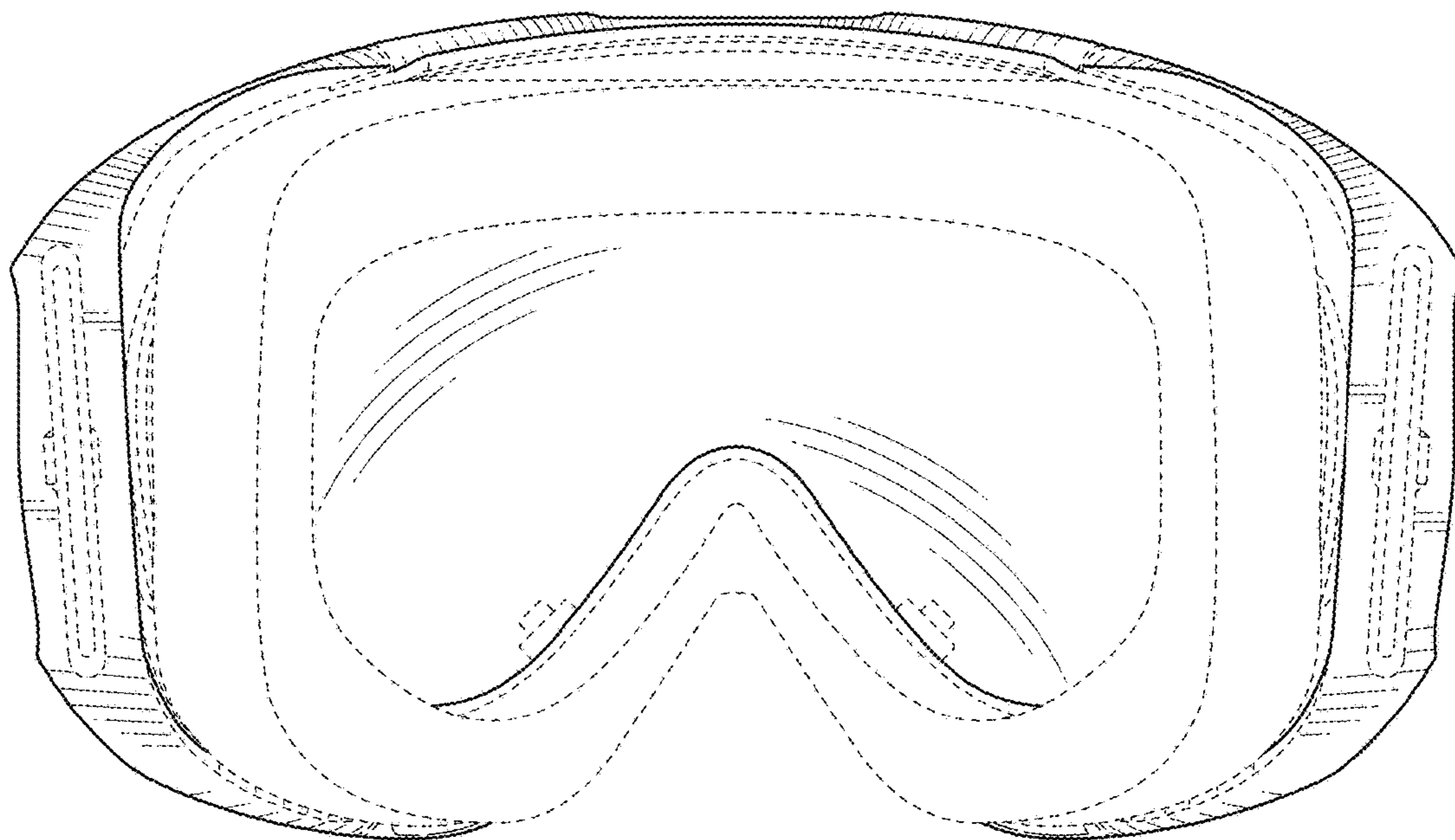


FIG. 3

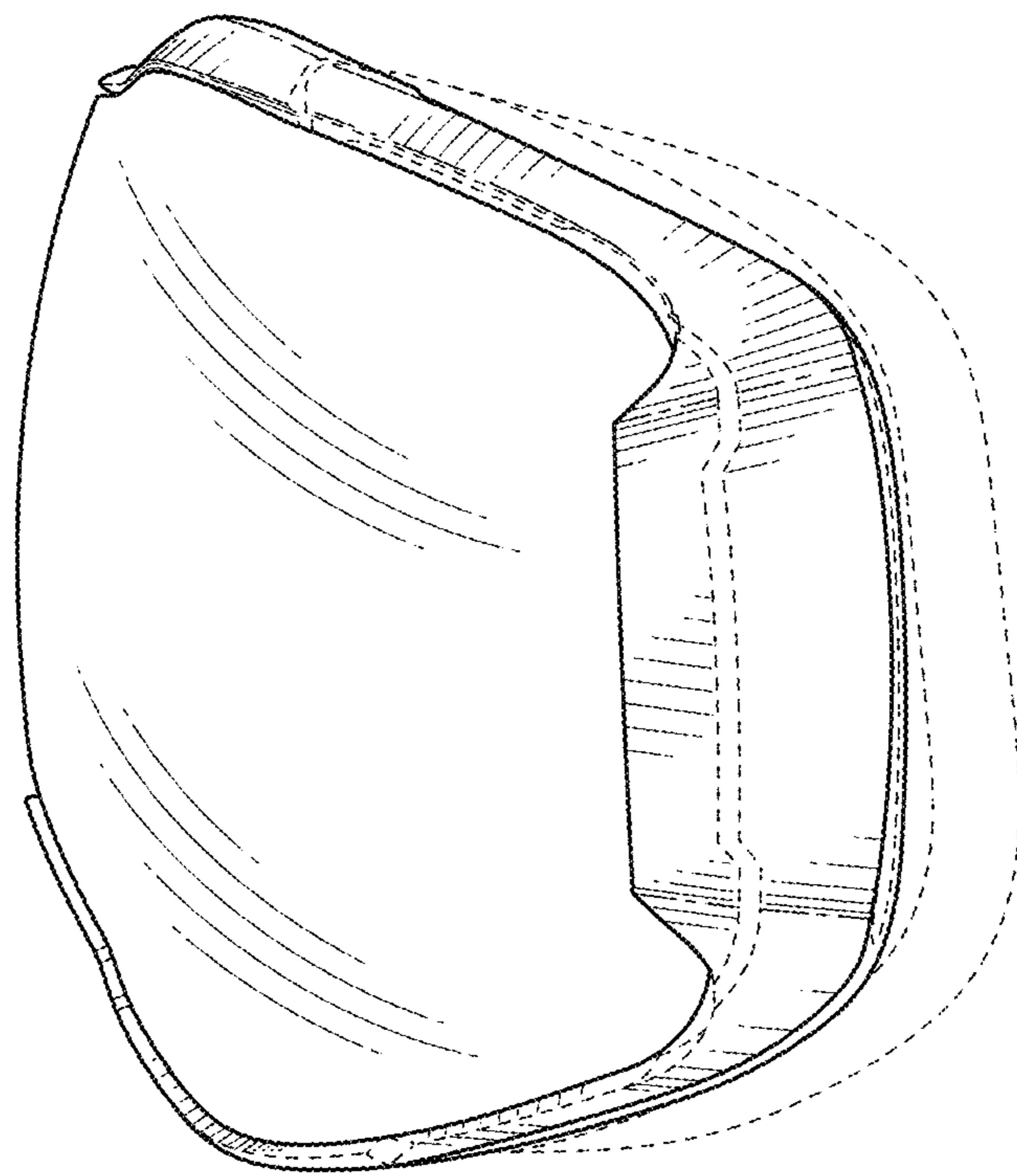


FIG. 4

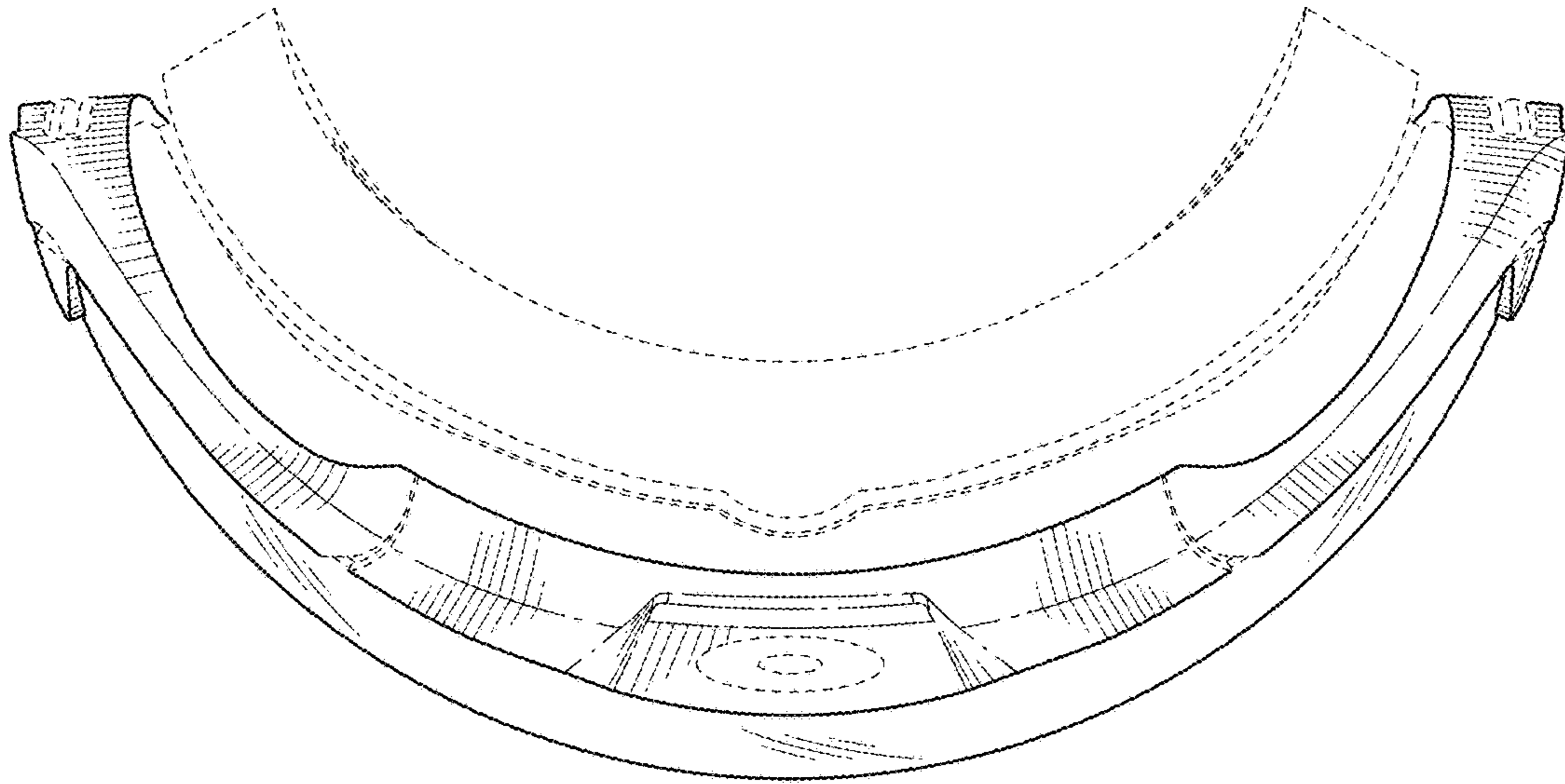


FIG. 5

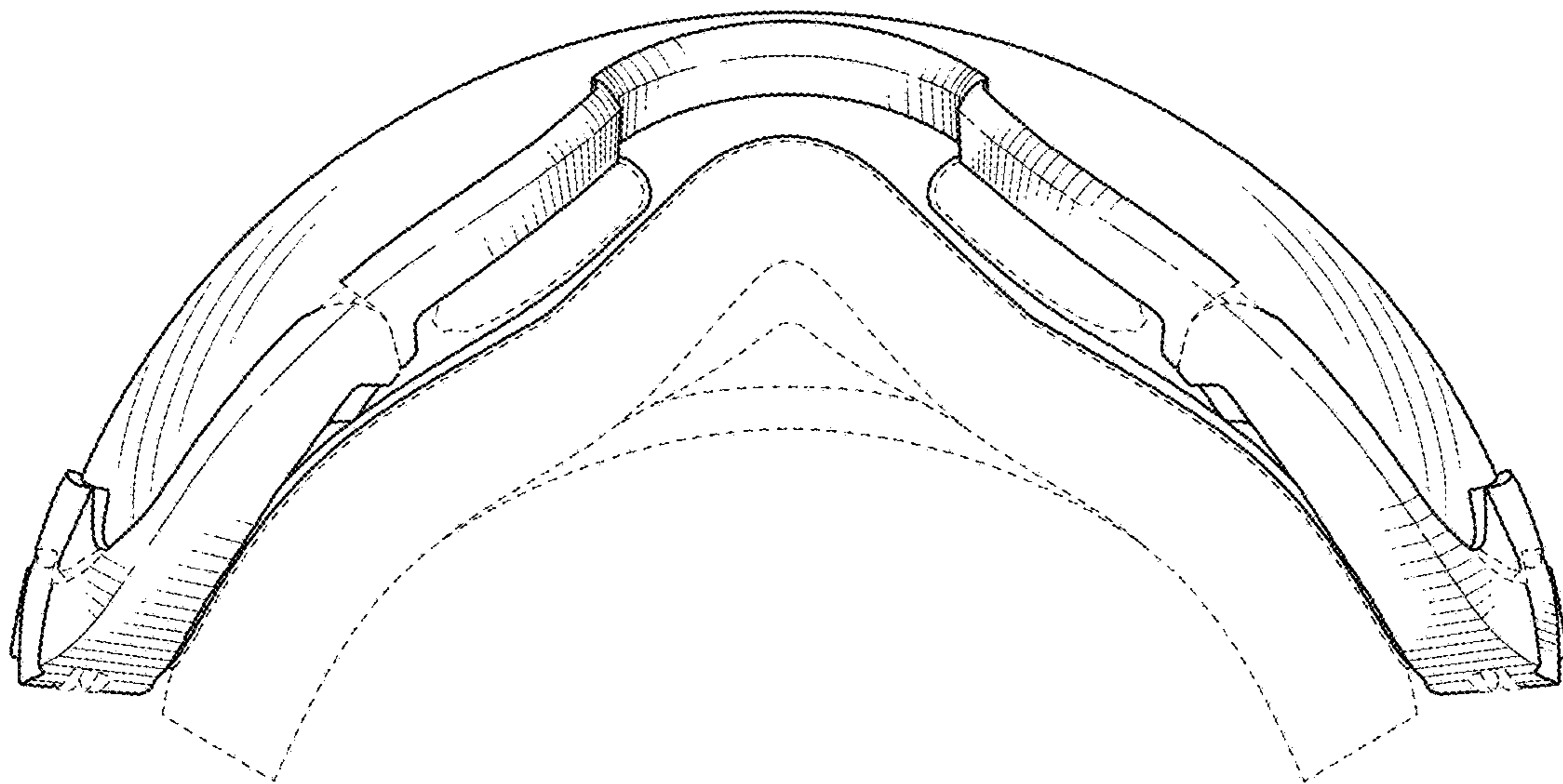


FIG. 6