



US00D784438S

(12) **United States Design Patent** (10) **Patent No.:** **US D784,438 S**  
**Rondinelli et al.** (45) **Date of Patent:** **\*\* Apr. 18, 2017**

- (54) **CAMERA MOUNT**
- (71) Applicant: **360fly, Inc.**, Canonsburg, PA (US)
- (72) Inventors: **Michael Rondinelli**, Canonsburg, PA (US); **Minkyu Choi**, Saint-Laurent (CA); **Mladen Barbaric**, Ottawa (CA); **Sungmoon Kim**, Saint-Laurent (CA); **Bonggeun Kim**, Westmount (CA)
- (73) Assignee: **360fly, Inc.**, Fort Lauderdale, FL (US)
- (\*\*) Term: **15 Years**
- (21) Appl. No.: **29/538,520**
- (22) Filed: **Sep. 4, 2015**
- (51) **LOC (10) Cl.** ..... **16-05**
- (52) **U.S. Cl.**  
USPC ..... **D16/242**
- (58) **Field of Classification Search**  
USPC ..... D16/237, 242-245, 202, 203, 241, 207;  
D8/354, 355, 363; 396/419, 420, 428;  
D12/114, 223  
CPC ..... F16M 11/14; F16M 11/041; F16M 11/04;  
F16M 11/2078; F16M 11/28; F16M  
11/2021; F16M 11/12; F16M 11/10;  
F16M 2200/022; F16M 2200/027; F16M  
13/00; F16M 13/02; F16M 13/022; G03B  
17/561; G03B 17/566; G03B 17/563;  
G03B 2215/056; B60R 2011/0059; B60R  
2011/008; B60R 11/02  
See application file for complete search history.

D409,218 S	5/1999	Fukushima	
6,354,544 B1	3/2002	Muzila	
D470,527 S *	2/2003	Oliver .....	D16/242
D487,270 S	3/2004	Richter	
6,913,232 B2	7/2005	Richter	
D537,856 S *	3/2007	Tsao .....	D16/202
7,736,071 B2 *	6/2010	Wahl .....	G03B 17/561 348/373
D651,633 S *	1/2012	Park .....	D16/203
D659,177 S	5/2012	Chan	
D666,662 S	9/2012	Runnals	
D718,295 S	11/2014	Fan	
D727,395 S	4/2015	Choi et al.	
D732,098 S	6/2015	Choi et al.	
D741,932 S *	10/2015	Huang .....	D16/202
D744,986 S *	12/2015	Huerta .....	D14/230
D757,835 S *	5/2016	Tabuchi .....	D16/203
2009/0257741 A1 *	10/2009	Greb .....	F16M 13/04 396/55

\* cited by examiner

*Primary Examiner* — Susan Bennett Hattan  
*Assistant Examiner* — Brett Miller

(57) **CLAIM**

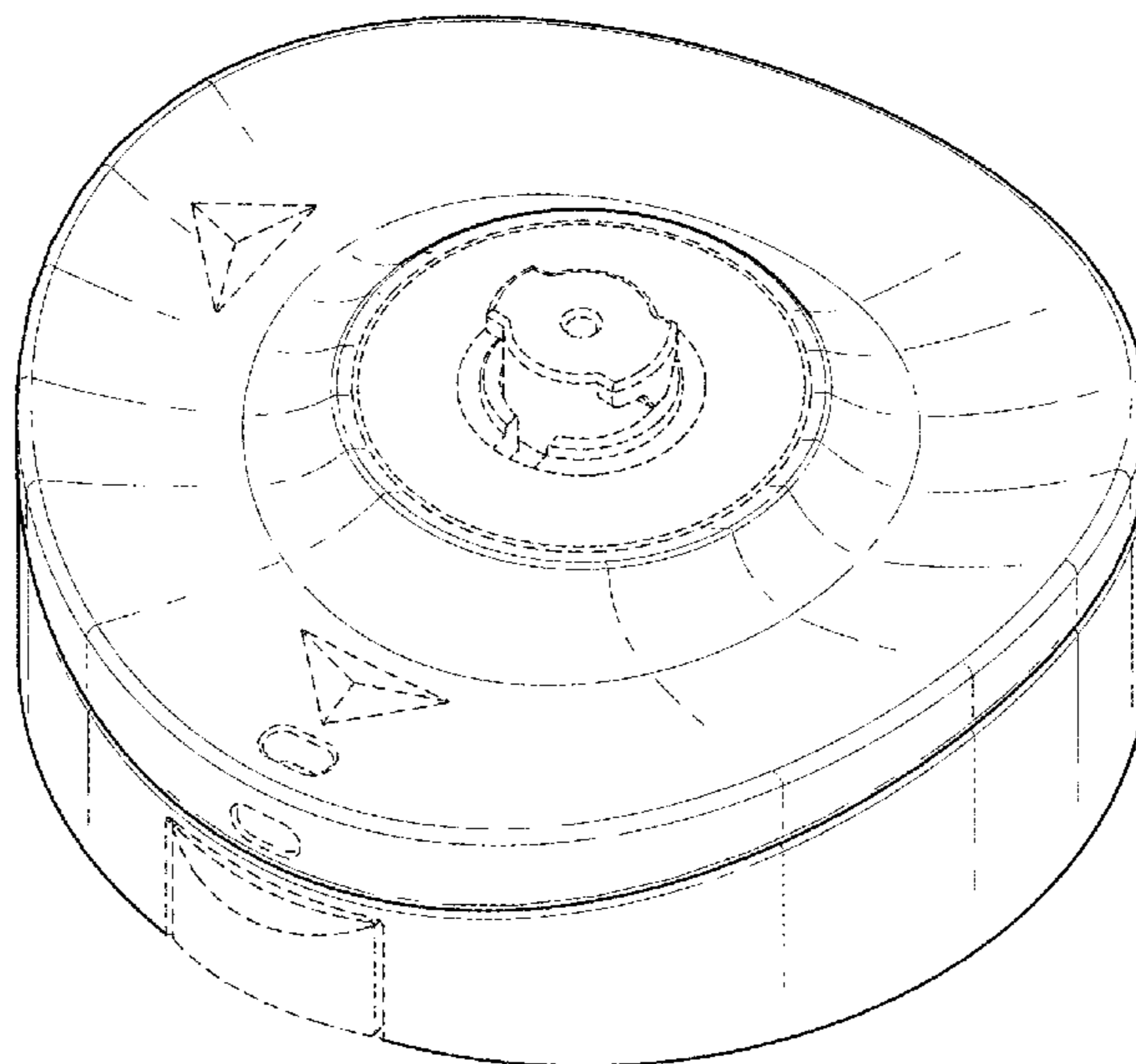
The ornamental design for a camera mount, as shown and described.

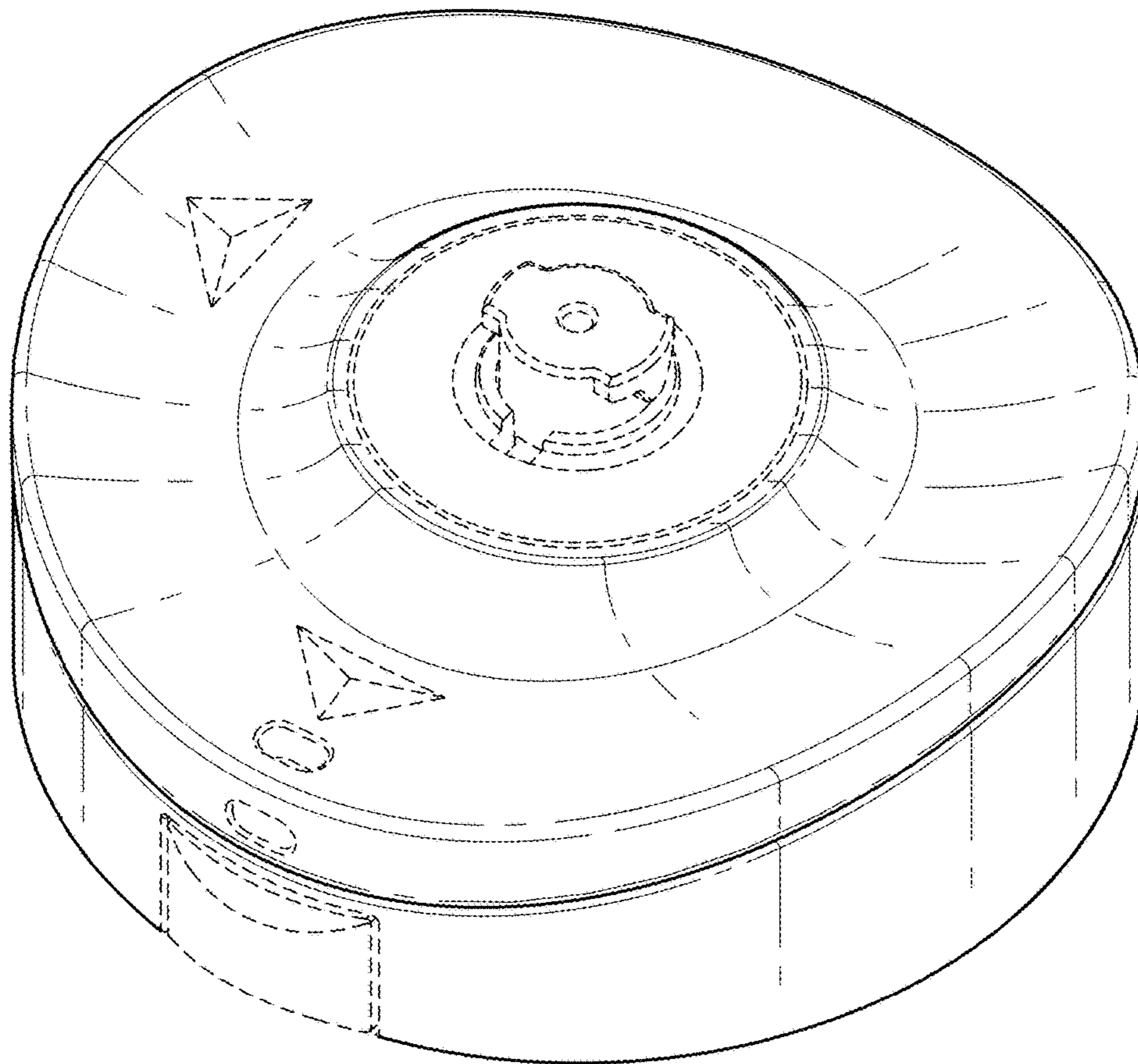
**DESCRIPTION**

FIG. 1 is an isometric view of a camera mount showing our new design;  
FIG. 2 is a front view thereof;  
FIG. 3 is a back view thereof;  
FIG. 4 is a right side view thereof;  
FIG. 5 is a left side view thereof;  
FIG. 6 is a top view thereof; and,  
FIG. 7 is a bottom view thereof.  
The broken lines depict environment superimposed over the camera mount and form no part of the claimed design.

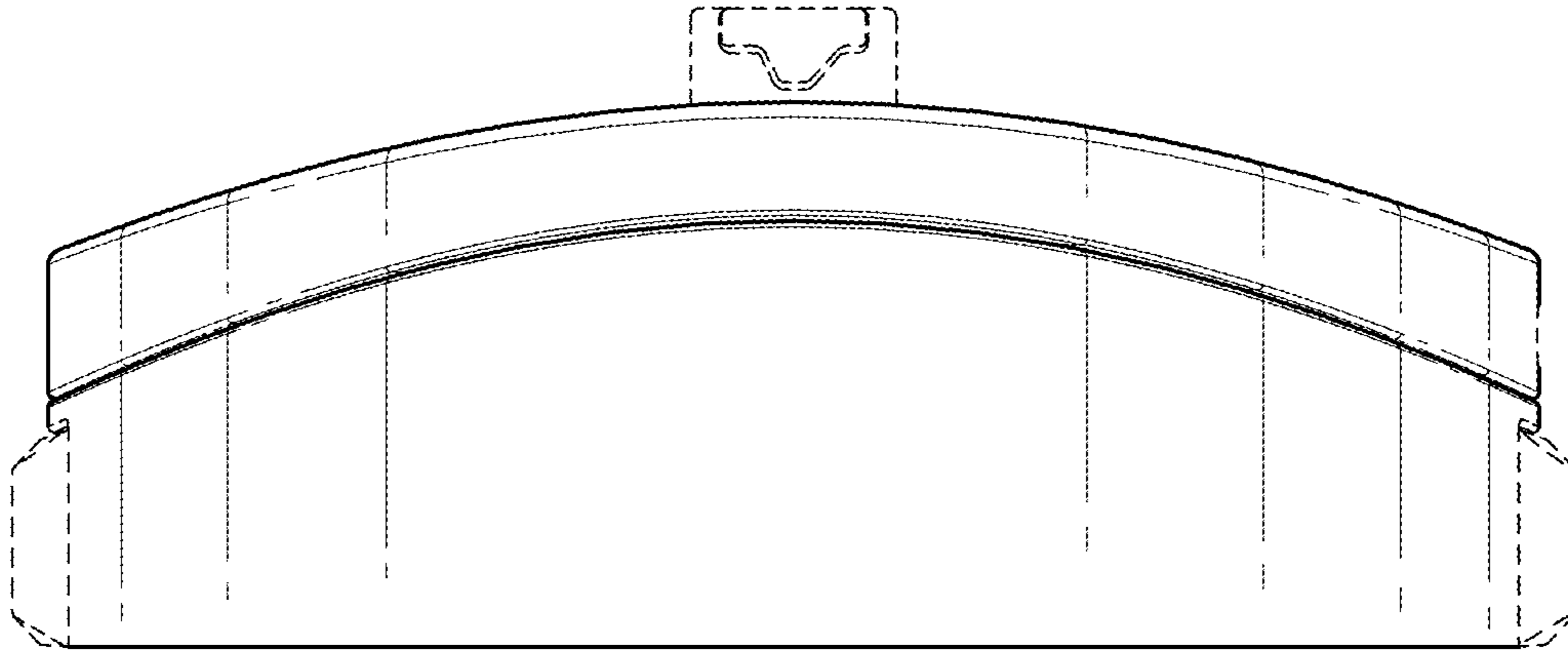
**1 Claim, 4 Drawing Sheets**

- (56) **References Cited**  
U.S. PATENT DOCUMENTS  
4,653,709 A 3/1987 Paldino  
D300,678 S \* 4/1989 Barrault ..... D13/108

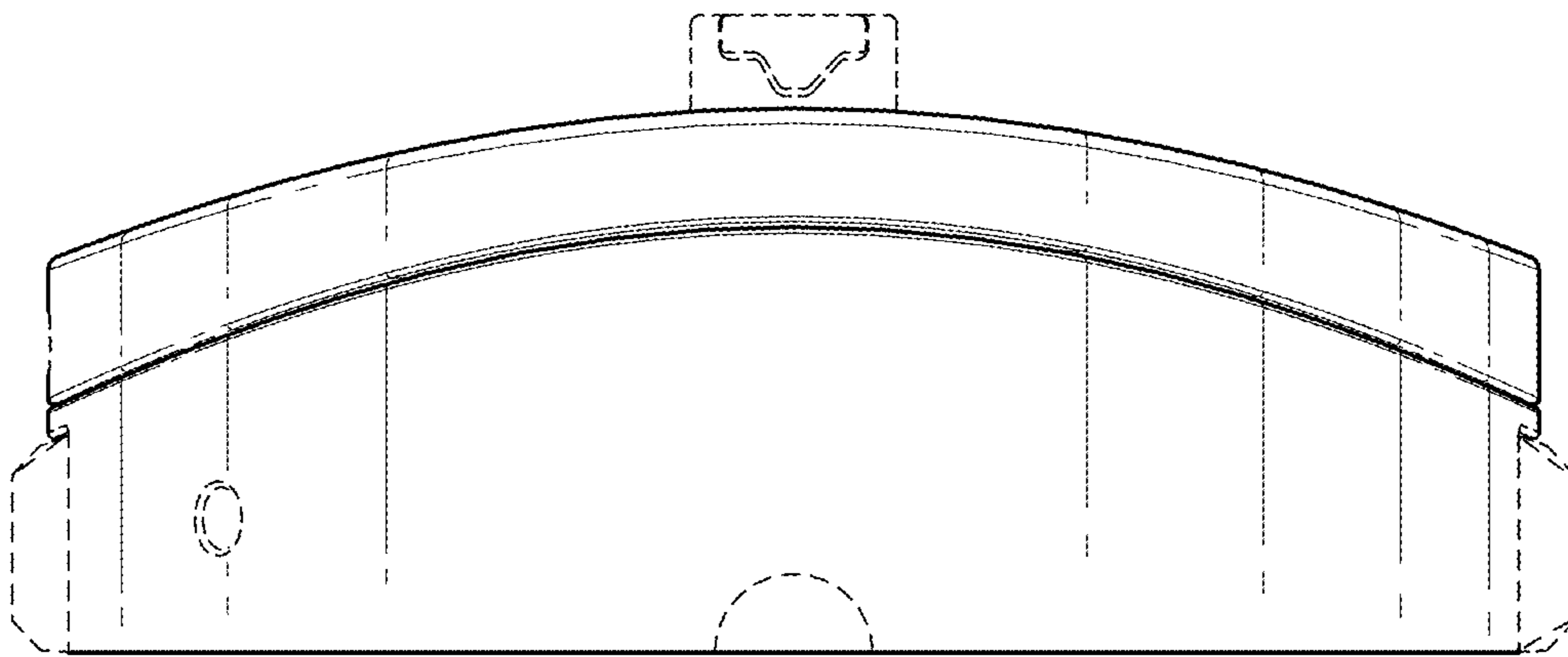




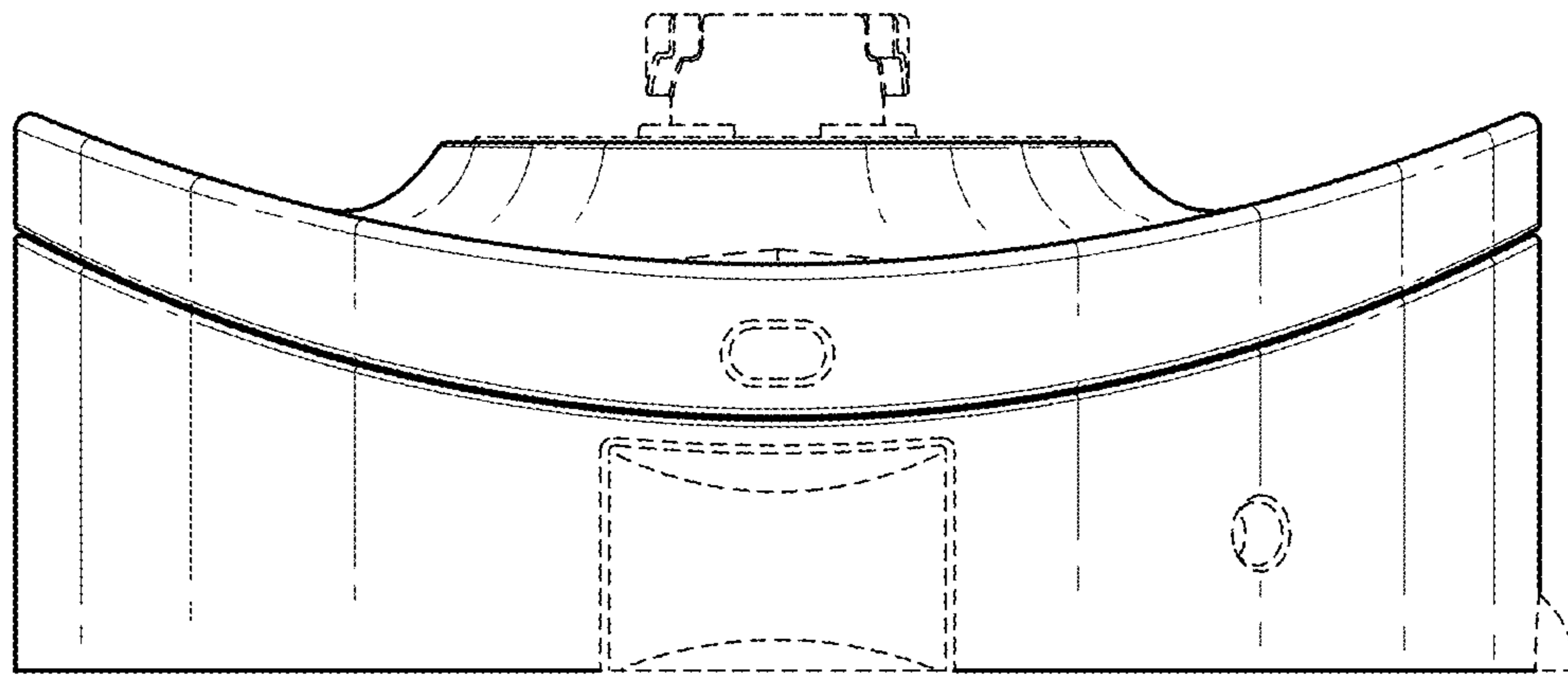
*FIG. 1*



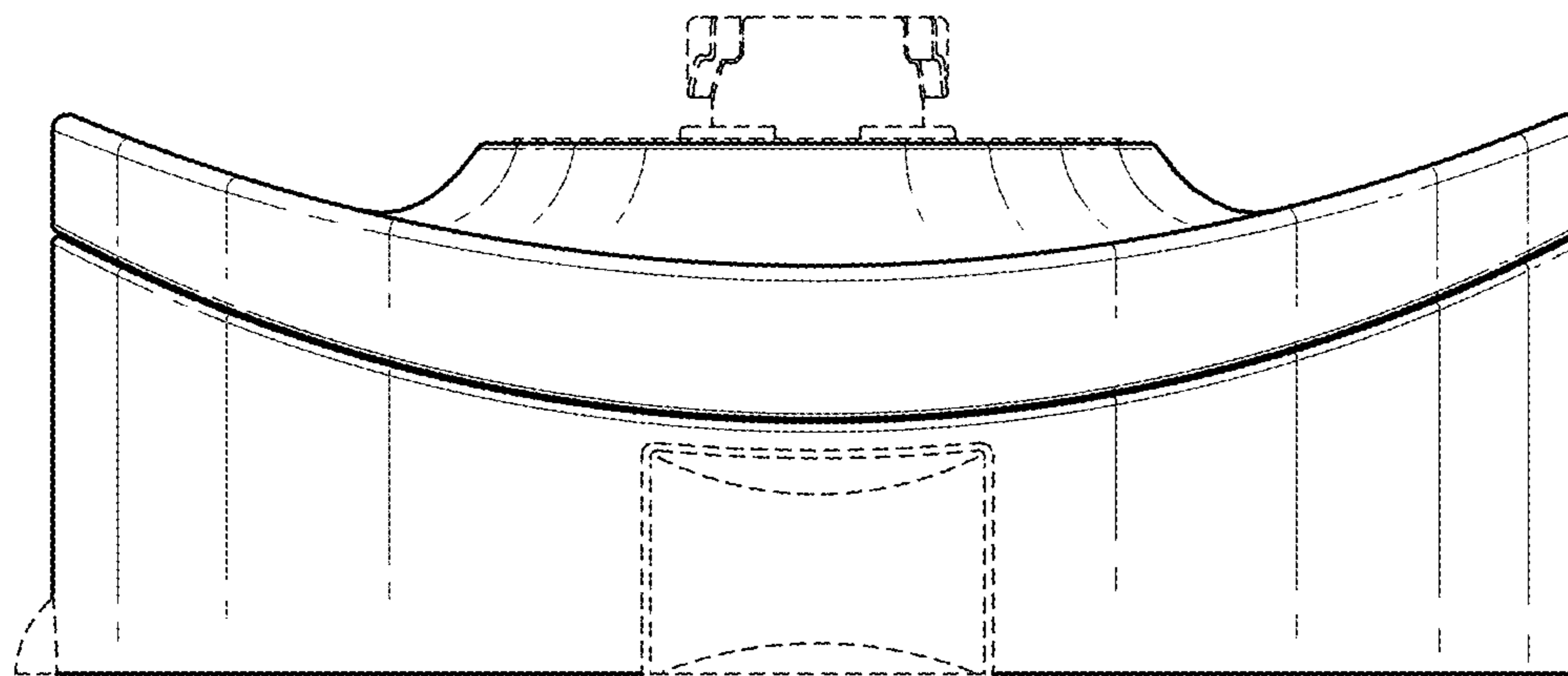
*FIG. 2*



*FIG. 3*



*FIG. 4*



*FIG. 5*



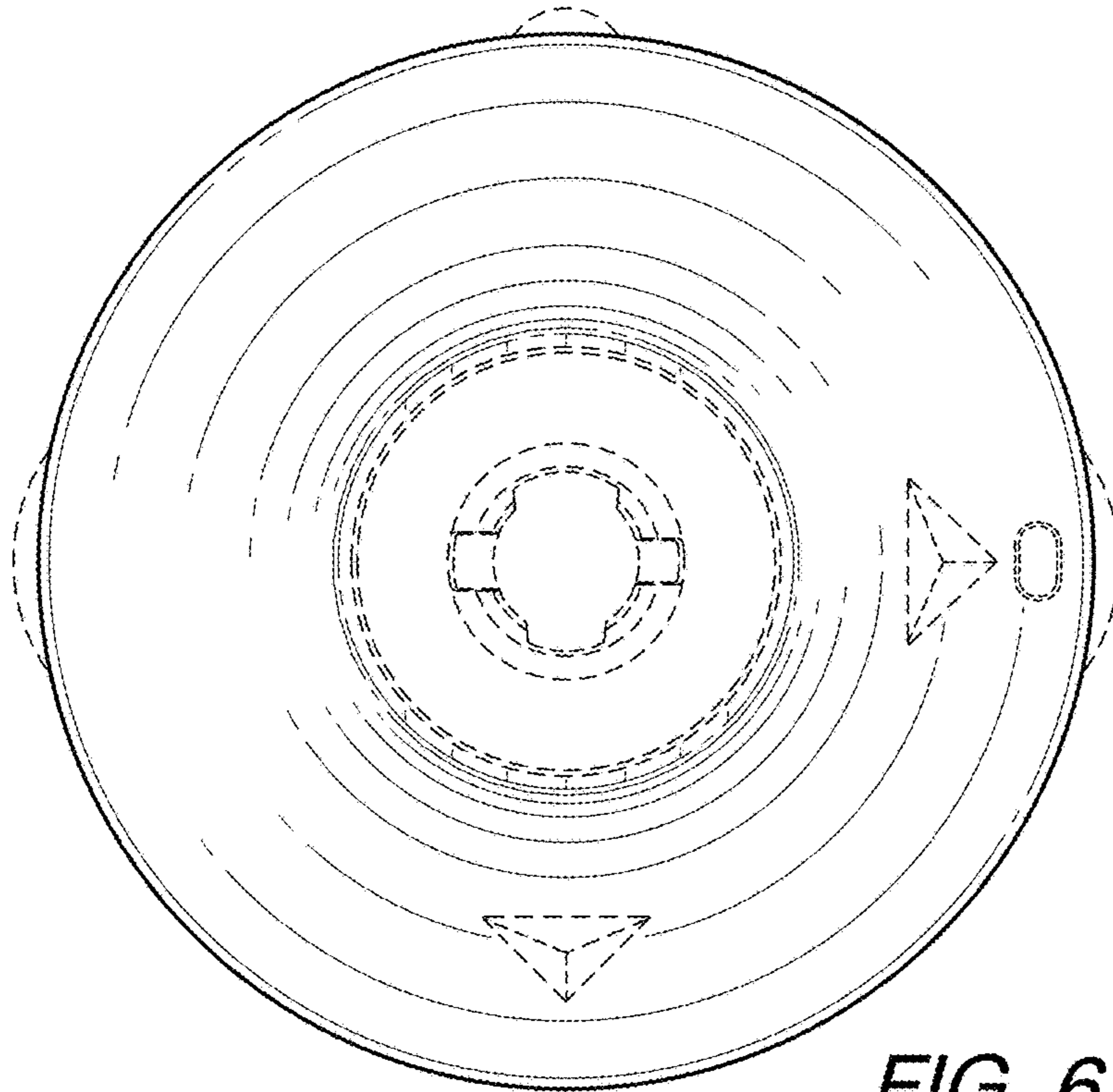


FIG. 6

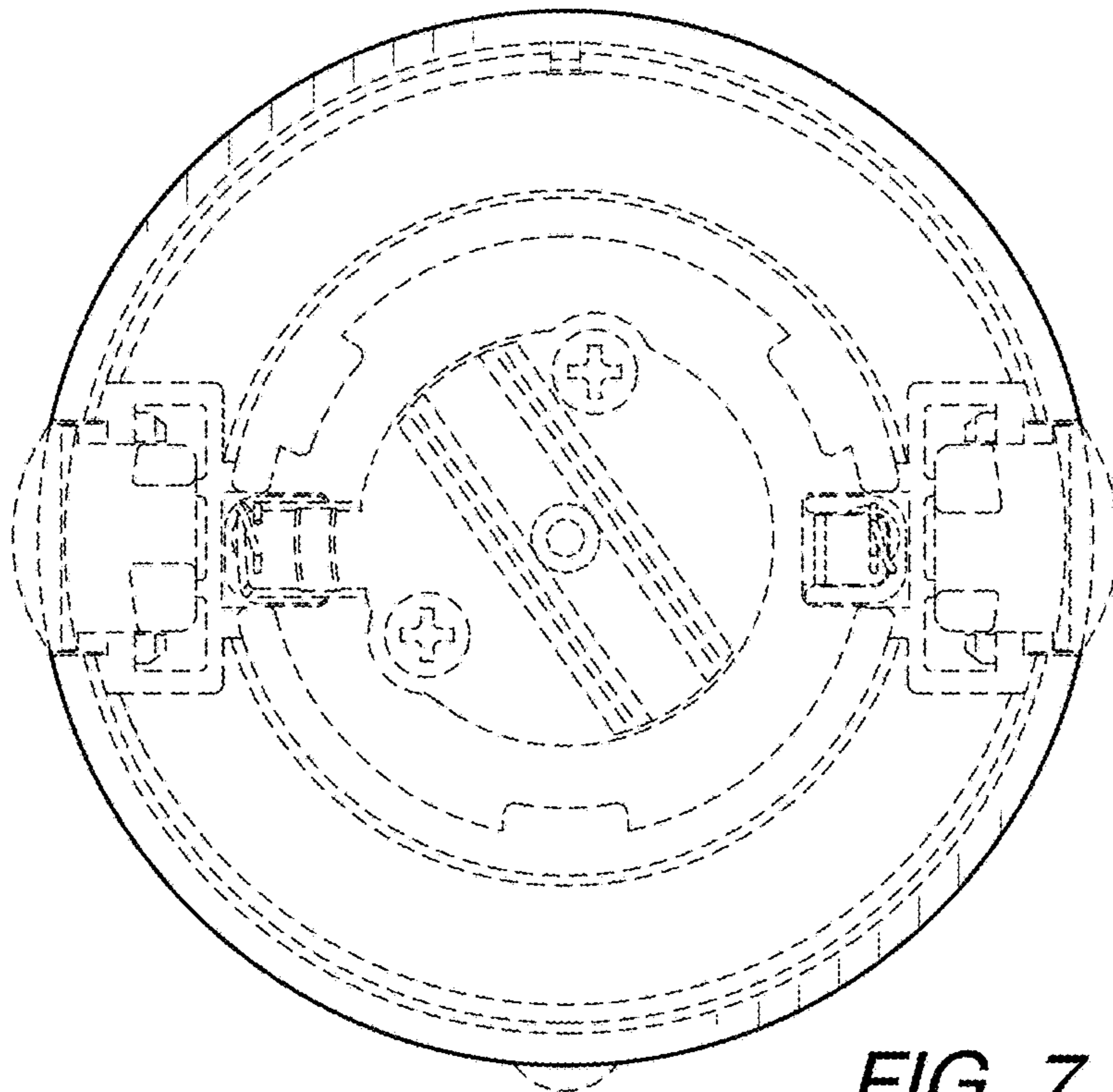


FIG. 7