



US00D784435S

(12) **United States Design Patent** (10) **Patent No.:** **US D784,435 S**
Katori (45) **Date of Patent:** **** Apr. 18, 2017**

(54) **SURVEILLANCE CAMERA**
(71) Applicant: **Panasonic Intellectual Property Management Co., Ltd., Osaka (JP)**
(72) Inventor: **Takehito Katori, Kyoto (JP)**
(73) Assignee: **Panasonic Intellectual Property Management Co., Ltd., Osaka (JP)**
(**) Term: **15 Years**

D637,640 S 5/2011 Park
D638,871 S * 5/2011 Bergstrom D16/203
D643,454 S * 8/2011 Zaliauskas D16/202
D661,719 S 6/2012 Katori et al.
D684,619 S 6/2013 Chapple et al.
D686,267 S * 7/2013 Mihara D16/202
D691,187 S 10/2013 Seo et al.
D694,307 S * 11/2013 Isozaki D16/203
D707,743 S * 6/2014 Nakashima D16/202
D732,100 S * 6/2015 Jeong D16/203
D748,710 S * 2/2016 Bergstrom D16/203
D753,207 S * 4/2016 Katori D16/203
2010/0013922 A1 * 1/2010 Cheng G08B 13/19619
348/143
2010/0296805 A1 * 11/2010 Mayer G08B 13/19619
396/155

(21) Appl. No.: **29/537,827**
(22) Filed: **Aug. 28, 2015**

* cited by examiner

(30) **Foreign Application Priority Data**

Mar. 19, 2015 (JP) 2015-005905
(51) **LOC (10) Cl.** **16-01**
(52) **U.S. Cl.**
USPC **D16/203**
(58) **Field of Classification Search**
USPC D16/200, 202–208, 218, 219, 242;
348/143, 148, 151, 373–376; 396/419,
396/427, 535, 539–541
CPC G03B 17/02; G03B 19/04; G03B 17/56;
G03B 17/04; G03B 15/03; H04N 5/2251;
H04N 5/2252; H04N 5/2253; H04N
5/2254; H04N 7/181; H04N 7/183; H04N
7/18
See application file for complete search history.

Primary Examiner — Philip S Hyder
Assistant Examiner — Ramzi Almatrahi
(74) *Attorney, Agent, or Firm* — Panasonic IP Management; Kerry S. Culpepper

(57) **CLAIM**

I claim the ornamental design for a surveillance camera, as shown and described.

DESCRIPTION

FIG. 1 is a front perspective view of a surveillance camera of the present invention;
FIG. 2 is a front view thereof;
FIG. 3 is a rear view thereof;
FIG. 4 is a left side view thereof;
FIG. 5 is a right side view thereof;
FIG. 6 is a top view thereof; and,
FIG. 7 is a bottom view thereof.
The broken lines depict portions of the surveillance camera in which the design is embodied that form no part of the claimed design.

(56) **References Cited**

U.S. PATENT DOCUMENTS

D514,150 S 1/2006 Muto et al.
D528,144 S * 9/2006 Takemasa D16/203
D634,347 S 3/2011 Park
D634,768 S * 3/2011 Ko D16/203

1 Claim, 7 Drawing Sheets

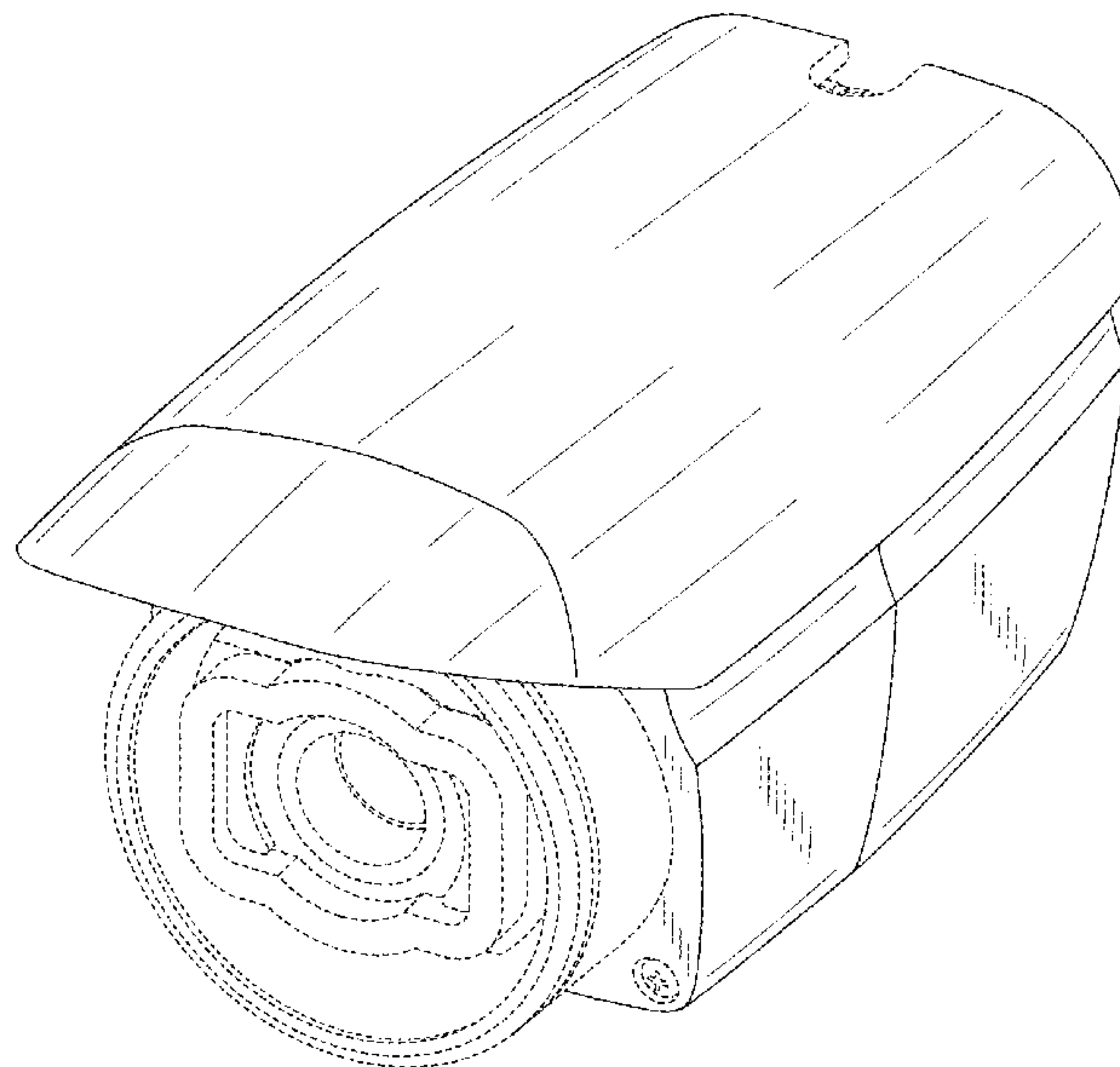


FIG. 1

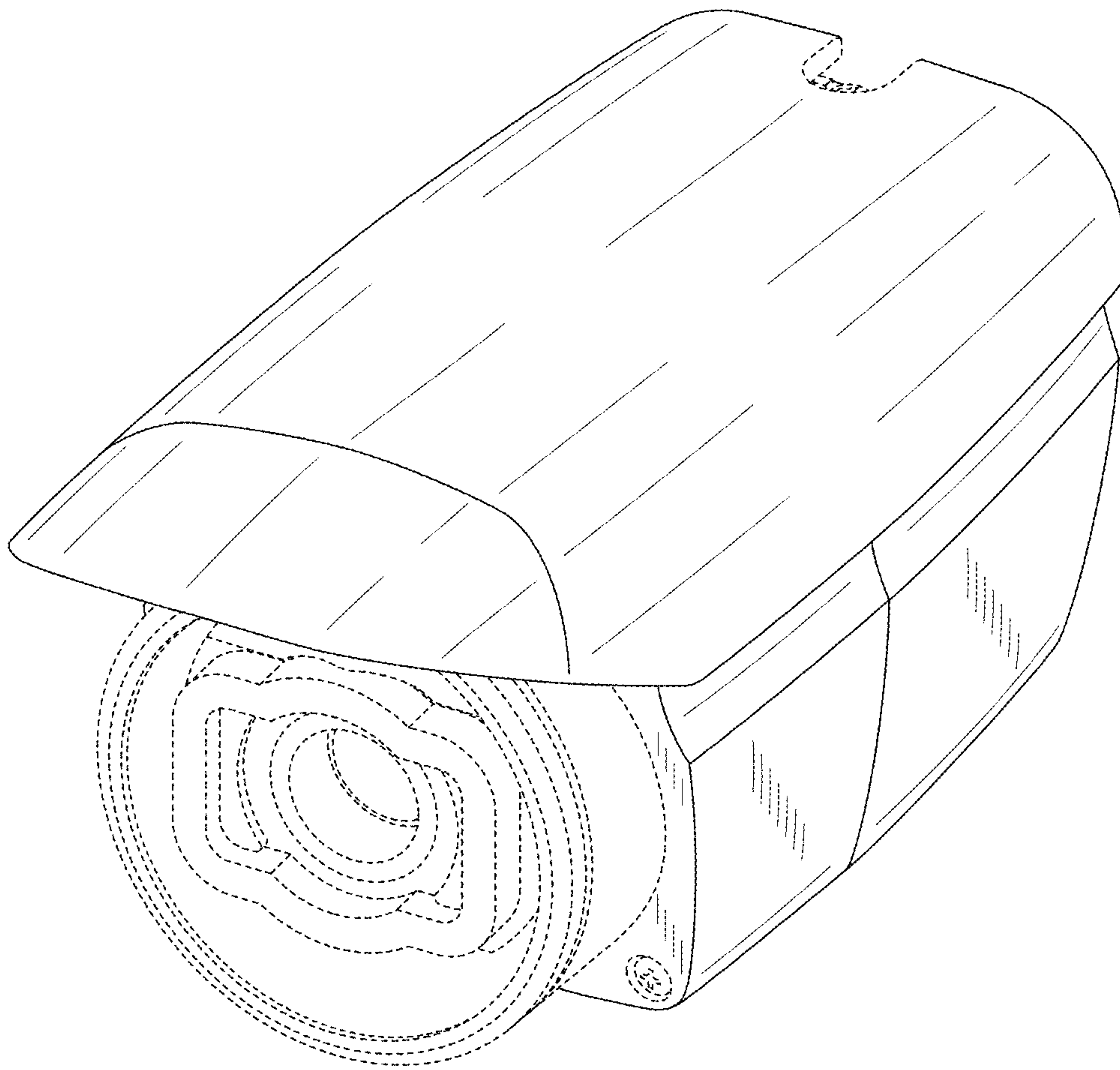


FIG. 2

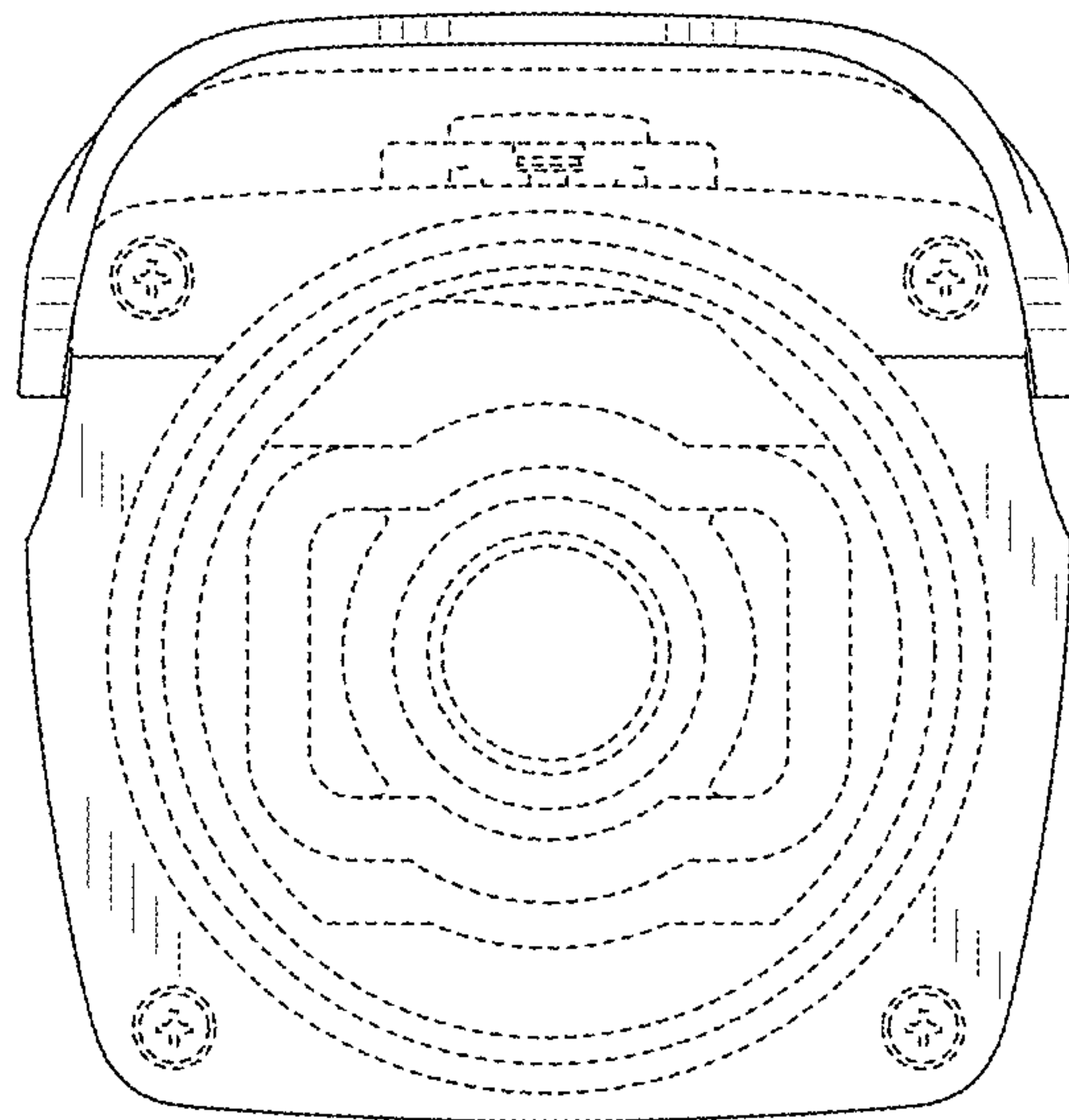


FIG. 3

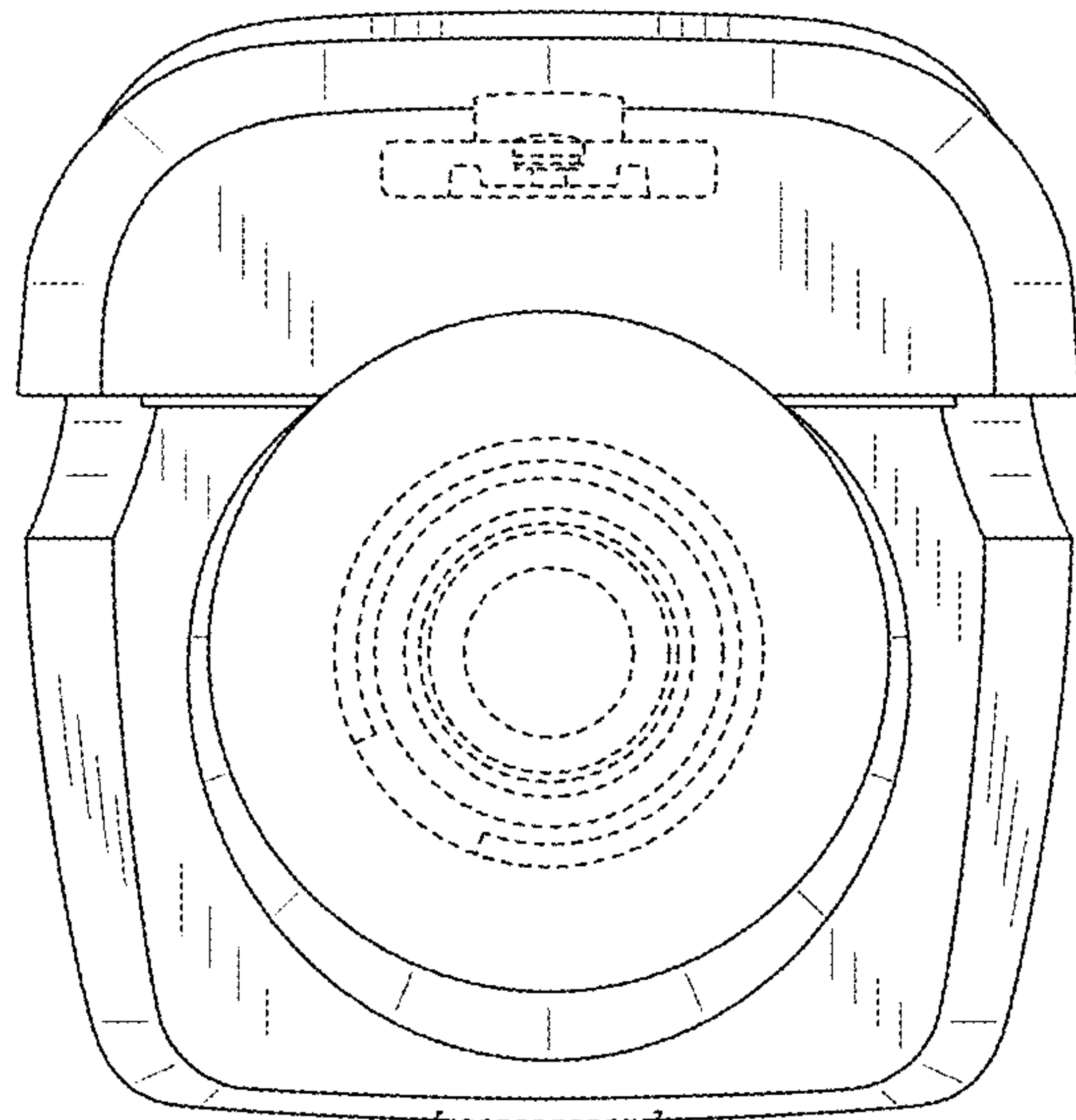


FIG. 4

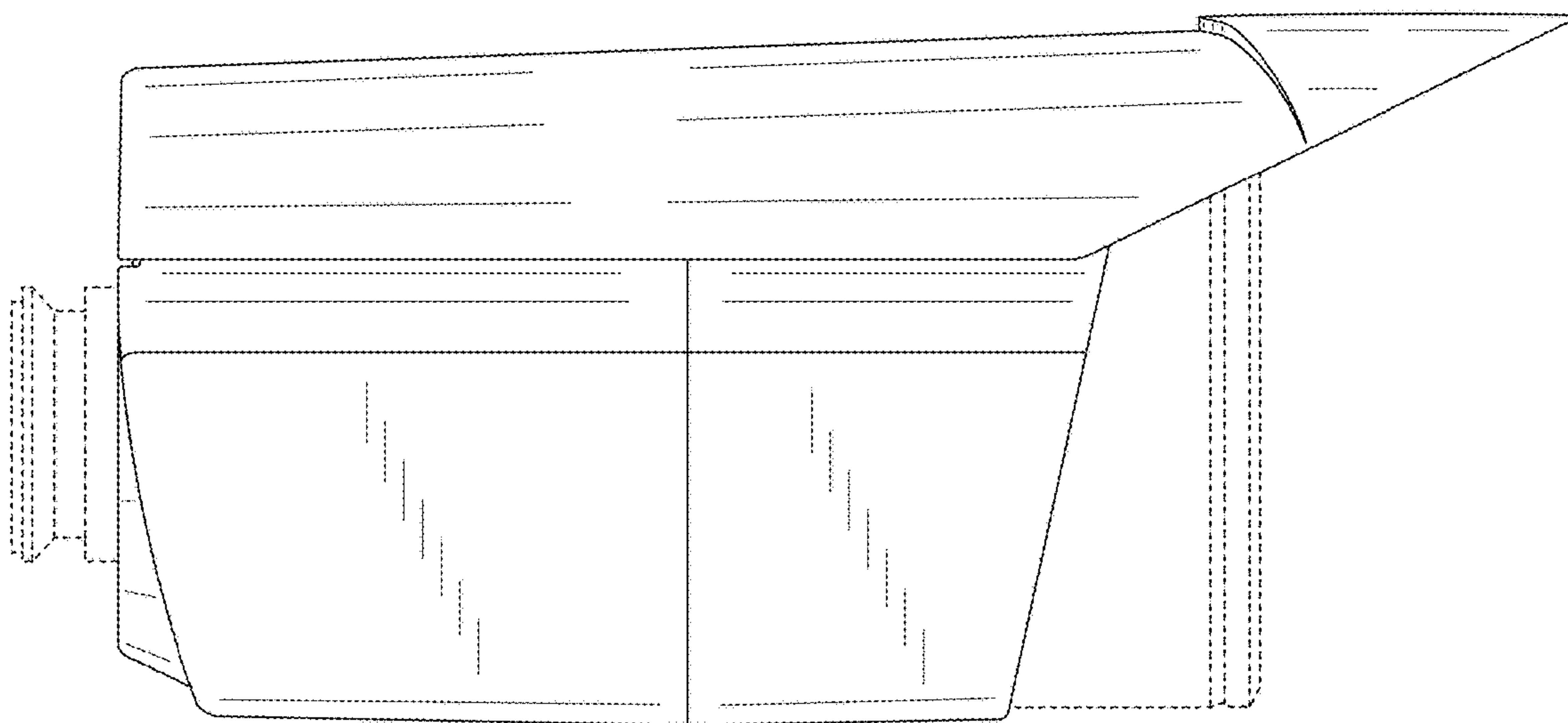


FIG. 5

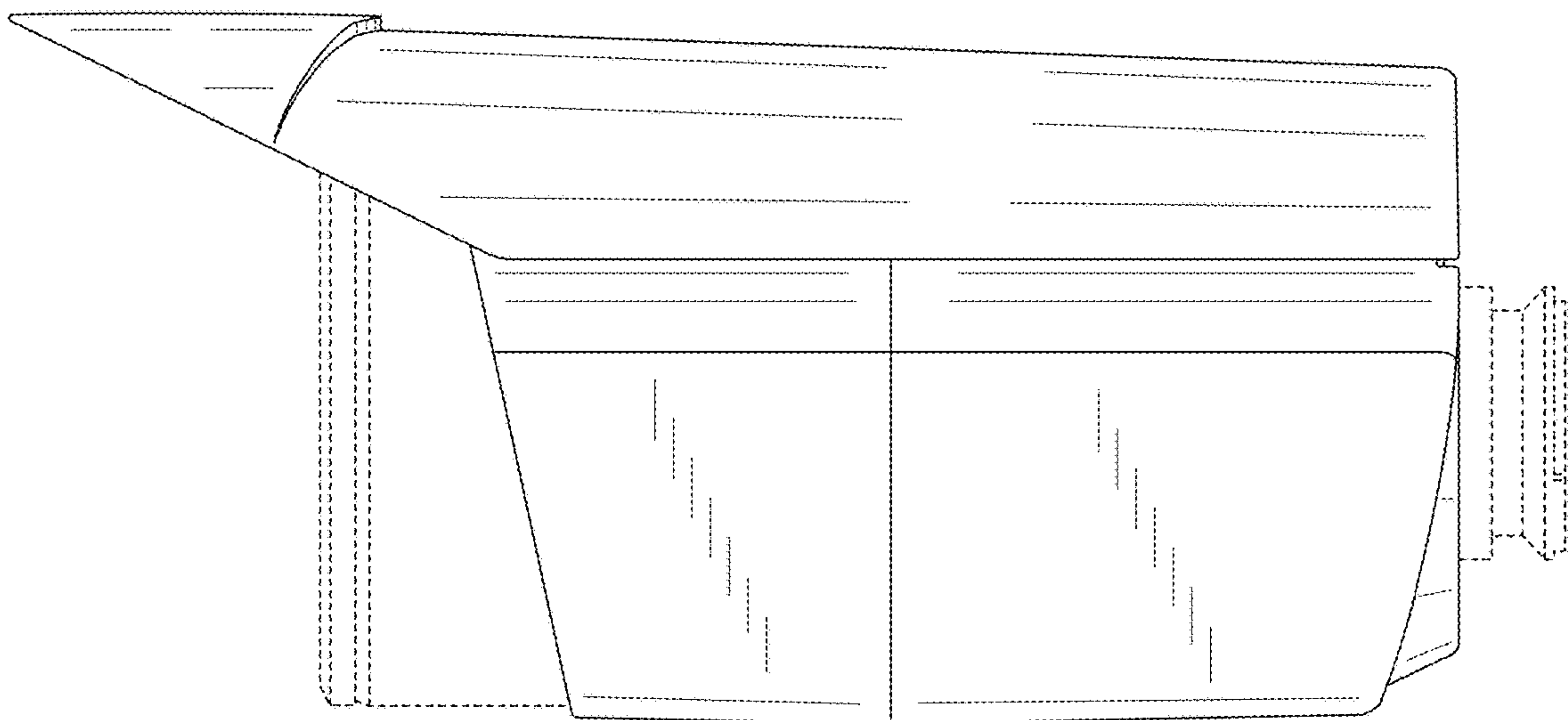


FIG. 6

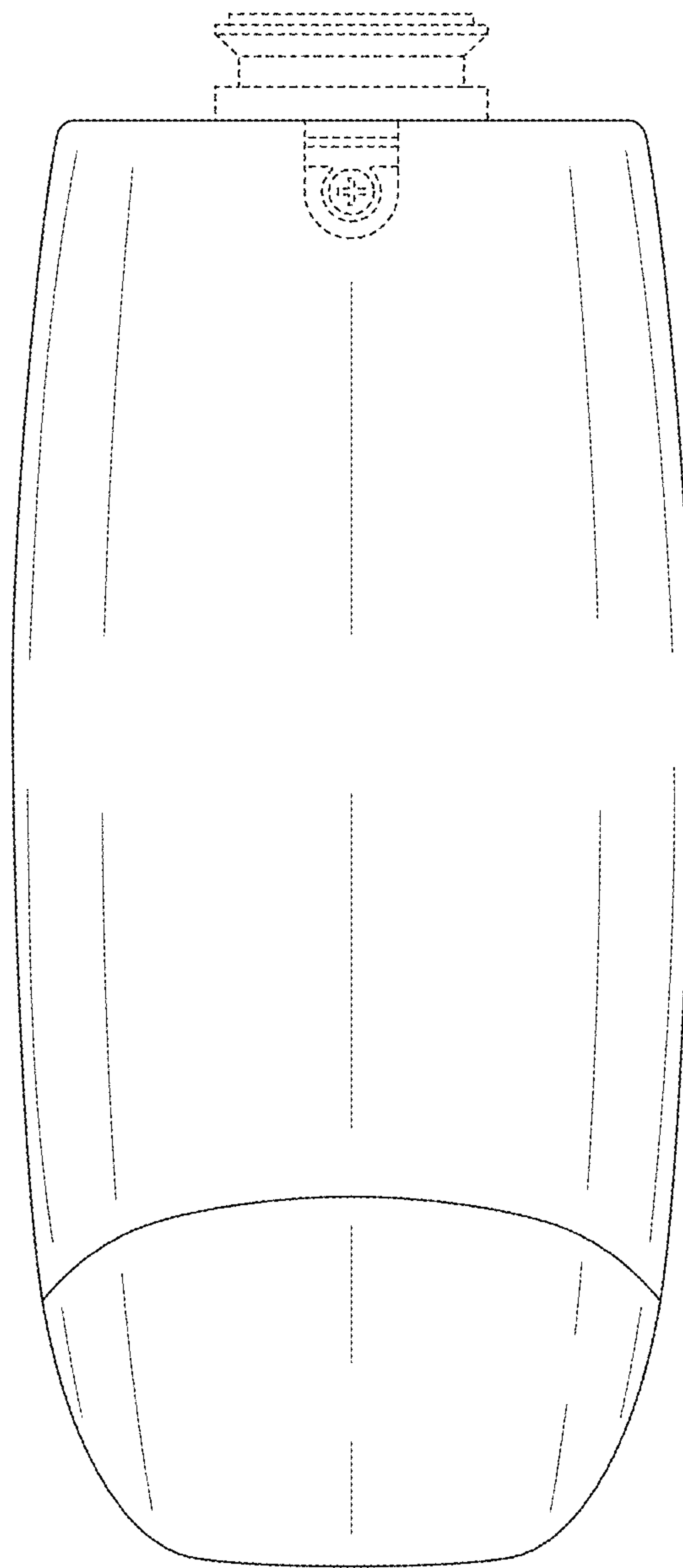


FIG. 7

