



US00D784431S

(12) **United States Design Patent**
Liou et al.

(10) **Patent No.:** **US D784,431 S**

(45) **Date of Patent:** **** Apr. 18, 2017**

(54) **MOTOR**

(71) Applicant: **HIWIN MIKROSYSTEM CORP.**,
Taichung (TW)

(72) Inventors: **Jhong-Siang Liou**, Taichung (TW);
Chien-Nien Tsai, Taichung (TW);
Li-Wei Zheng, Taichung (TW);
Yu-Hsiang Lin, Taichung (TW);
Tzu-Hsiang Hung, Taichung (TW)

(73) Assignee: **HIWIN MIKROSYSTEM CORP.**,
Taichung (TW)

(**) Term: **15 Years**

(21) Appl. No.: **29/548,683**

(22) Filed: **Dec. 16, 2015**

(51) **LOC (10) Cl.** **15-09**

(52) **U.S. Cl.**
USPC **D15/143; D15/199**

(58) **Field of Classification Search**
USPC D13/118, 158, 162, 184; D15/1-5, 7, 9,
D15/143, 148, 149, 199
CPC F16H 25/20; F16H 25/2021; F16H
2025/2065; F16H 2025/2081; F16H
2025/2087; Y10T 74/18752; Y10T
74/18056; Y10T 74/18576; Y10T
74/18688; Y10T 74/18696

See application file for complete search history.

(56) **References Cited**

U.S. PATENT DOCUMENTS

D325,726 S * 4/1992 Yamagata D13/160
D333,666 S * 3/1993 Kawashima D15/142
D361,580 S * 8/1995 Bauer D15/138
D407,409 S * 3/1999 Masuda D15/199
D589,543 S * 3/2009 Lin D15/143

D596,653 S * 7/2009 Fukano D15/143
D611,514 S * 3/2010 Fukano D15/143
D621,860 S * 8/2010 Fukano D13/107
D624,099 S * 9/2010 Fukano D13/158
D624,100 S * 9/2010 Fukano D13/158
D624,570 S * 9/2010 Fukano D15/143
D624,572 S * 9/2010 Fukano D13/158
D636,798 S * 4/2011 Fukano D15/143
D636,799 S * 4/2011 Fukano D15/143
D656,169 S * 3/2012 Fukano D15/143
D677,624 S * 3/2013 Goodman D13/112
D685,014 S * 6/2013 Mangold D15/143
D686,257 S * 7/2013 Wu D15/143
D695,799 S * 12/2013 Landerholm D15/143
D704,238 S * 5/2014 Fukano D15/143
D708,239 S * 7/2014 Lin D15/143
D744,559 S * 12/2015 Nakayama D15/143
D767,656 S * 9/2016 Wu D15/143
2009/0288511 A1 * 11/2009 Kuribayashi F16H 25/20
74/89.38
2015/0240922 A1 * 8/2015 Parker F16H 25/2015
74/89.37
2016/0344312 A1 * 11/2016 Trangbaek H02P 6/006

* cited by examiner

Primary Examiner — Patricia Palasik

(74) *Attorney, Agent, or Firm* — Guice Patents PLLC

(57) **CLAIM**

The ornamental design for motor, shown and described.

DESCRIPTION

FIG. 1 is a perspective view showing the front, left side and top of my new design for an motor.

FIG. 2 is a top view thereof;

FIG. 3 is a bottom view thereof;

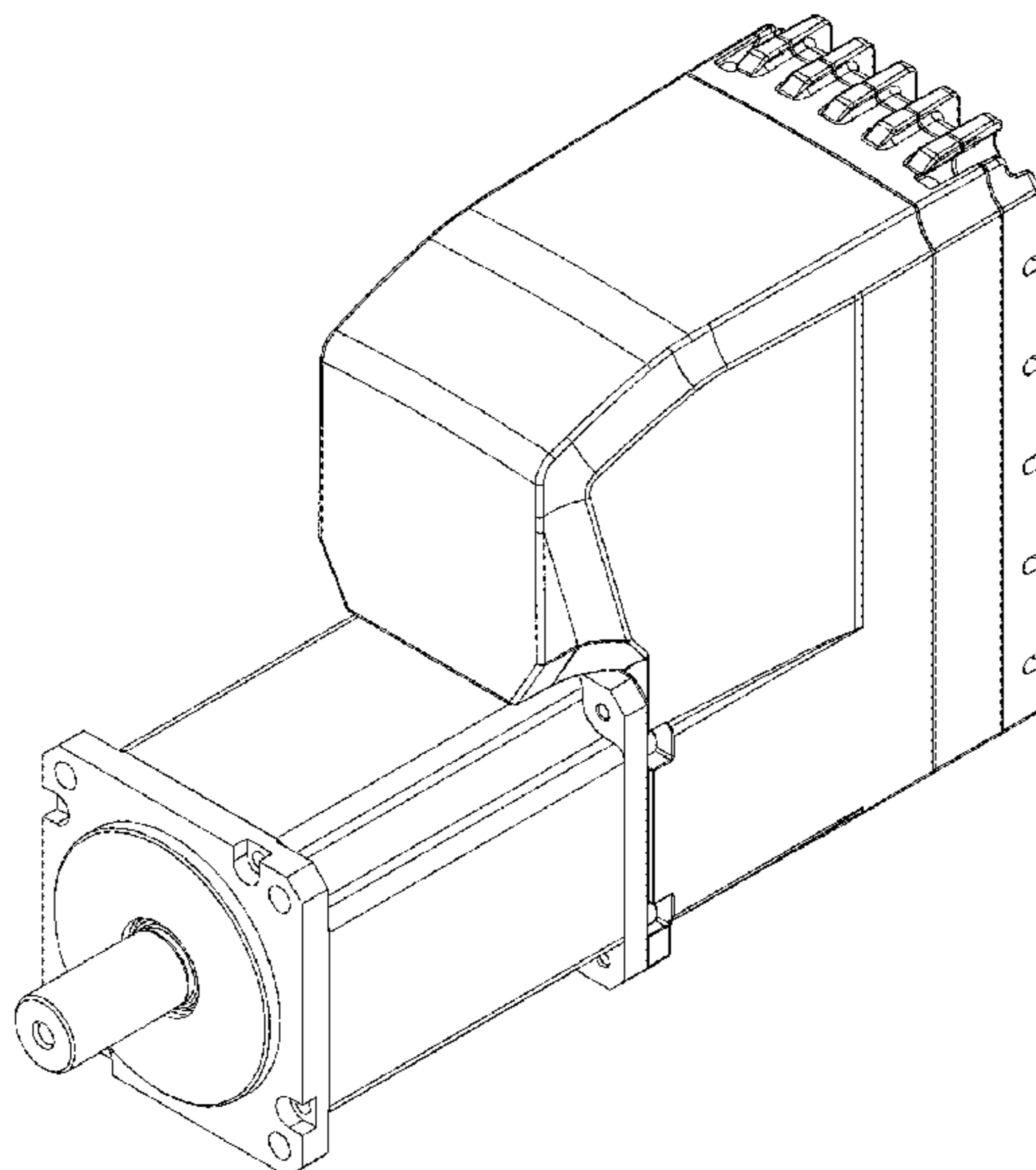
FIG. 4 is a left view thereof;

FIG. 5 is a right view thereof;

FIG. 6 is a rear view thereof; and,

FIG. 7 is a front view thereof.

1 Claim, 5 Drawing Sheets



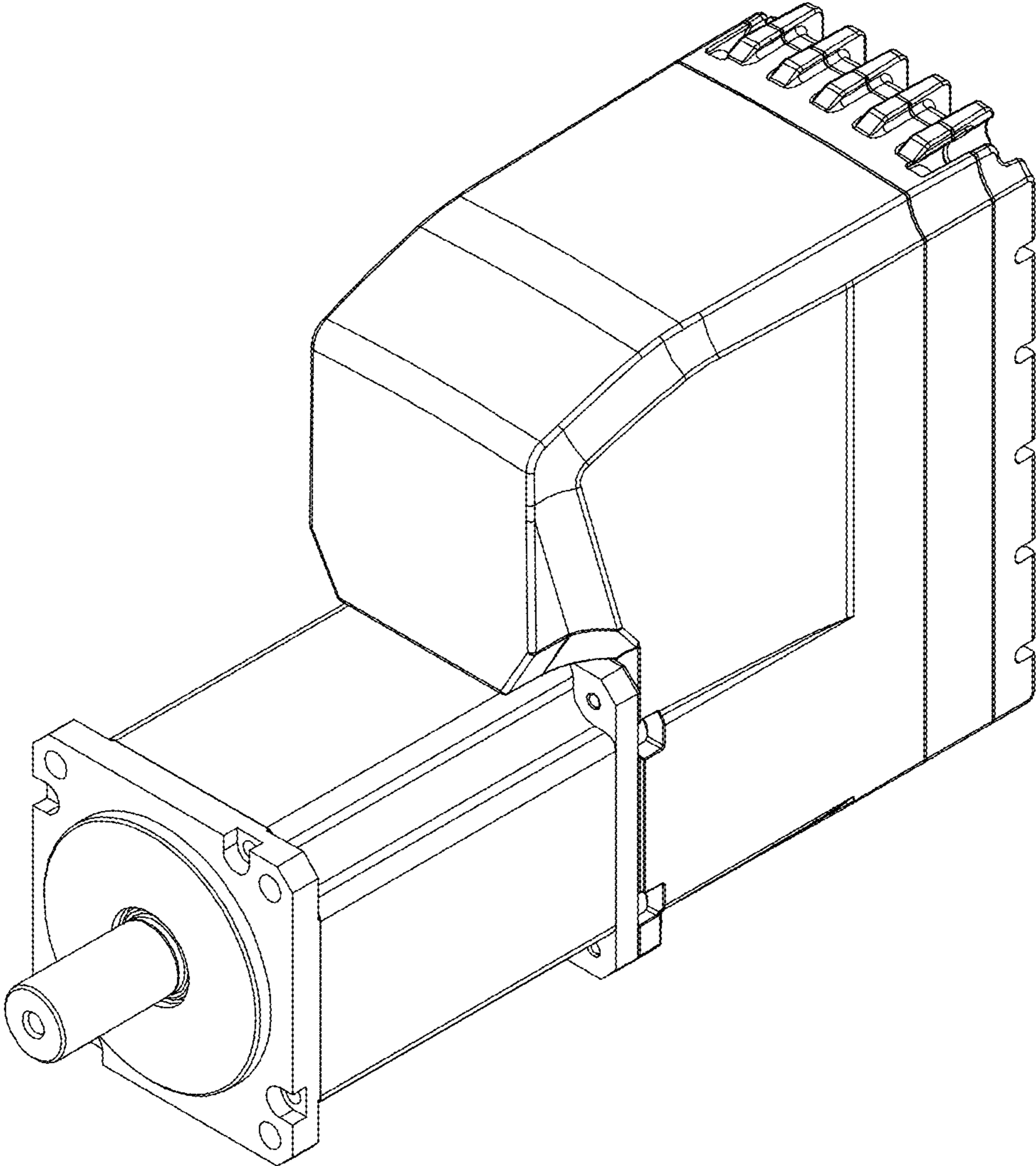


Fig. 1

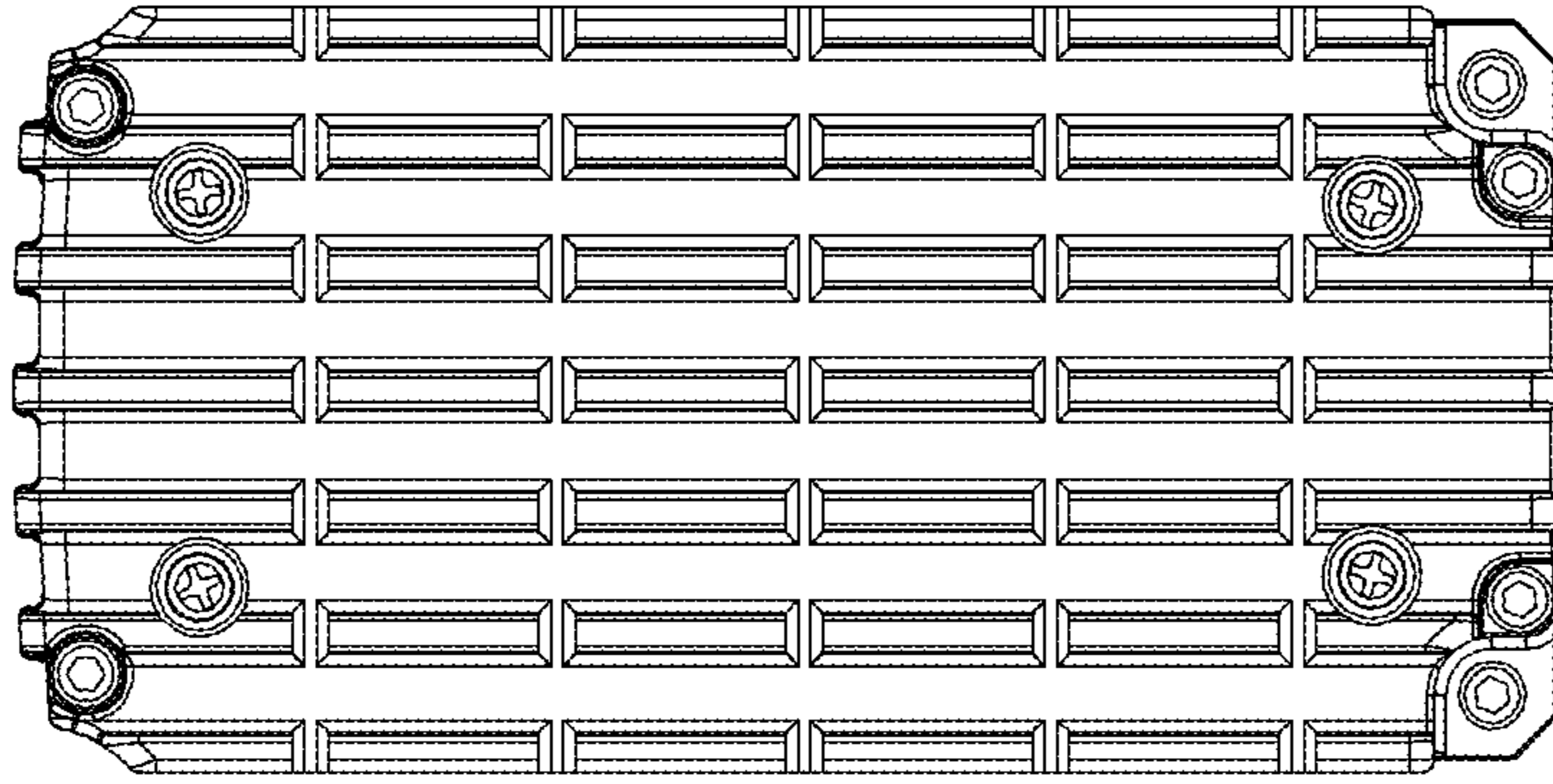


Fig. 3

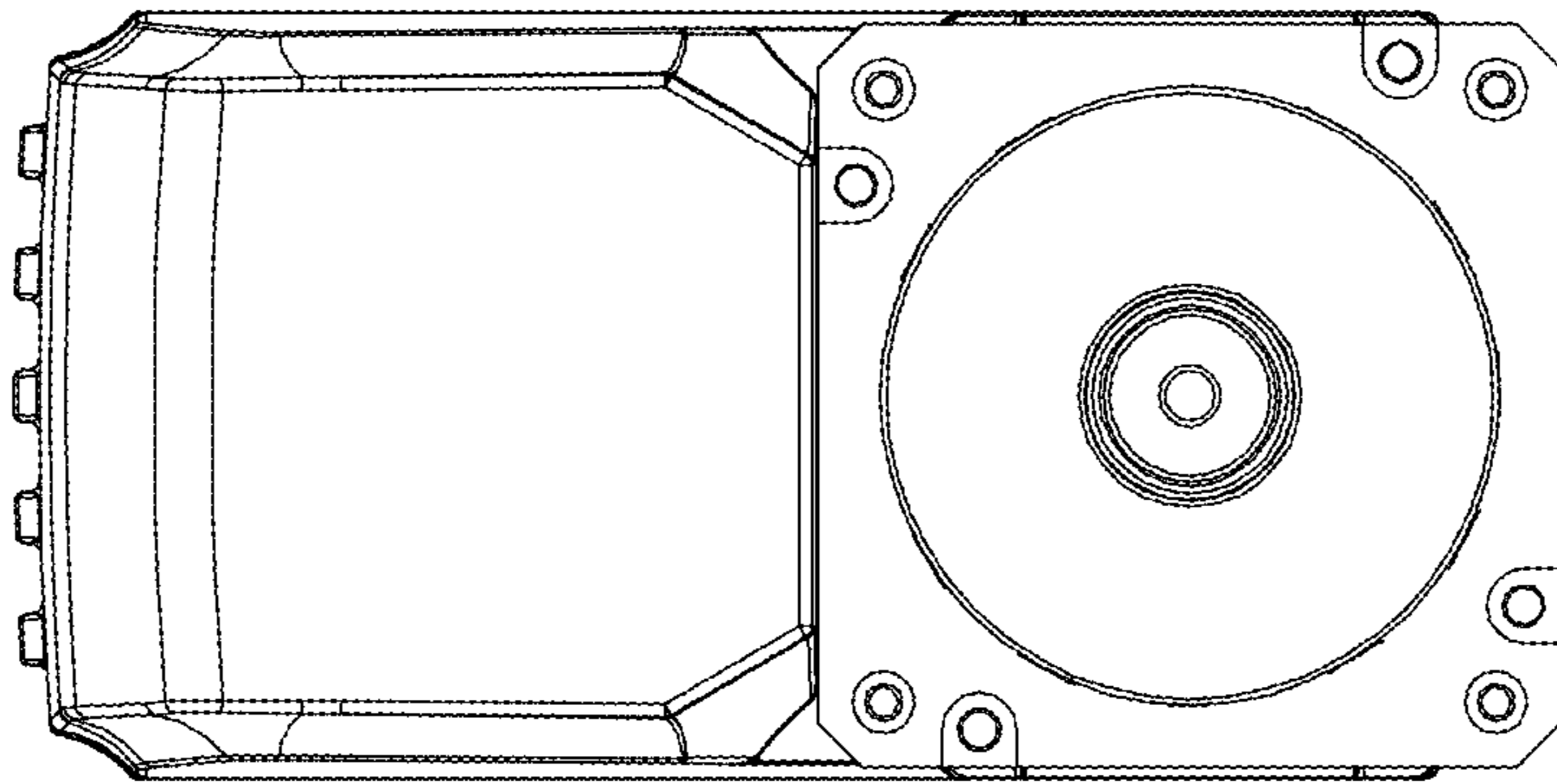


Fig. 2

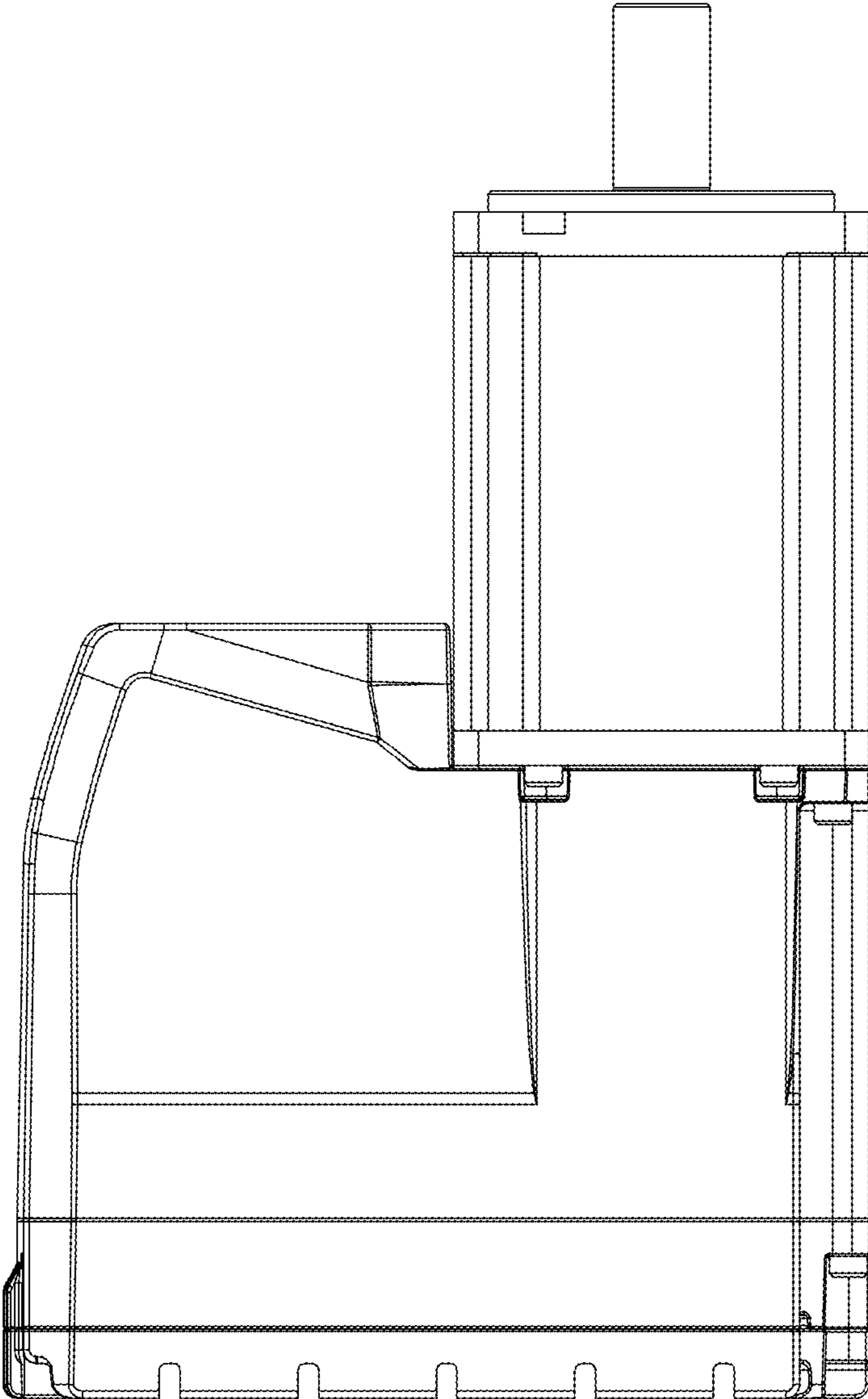


Fig. 4

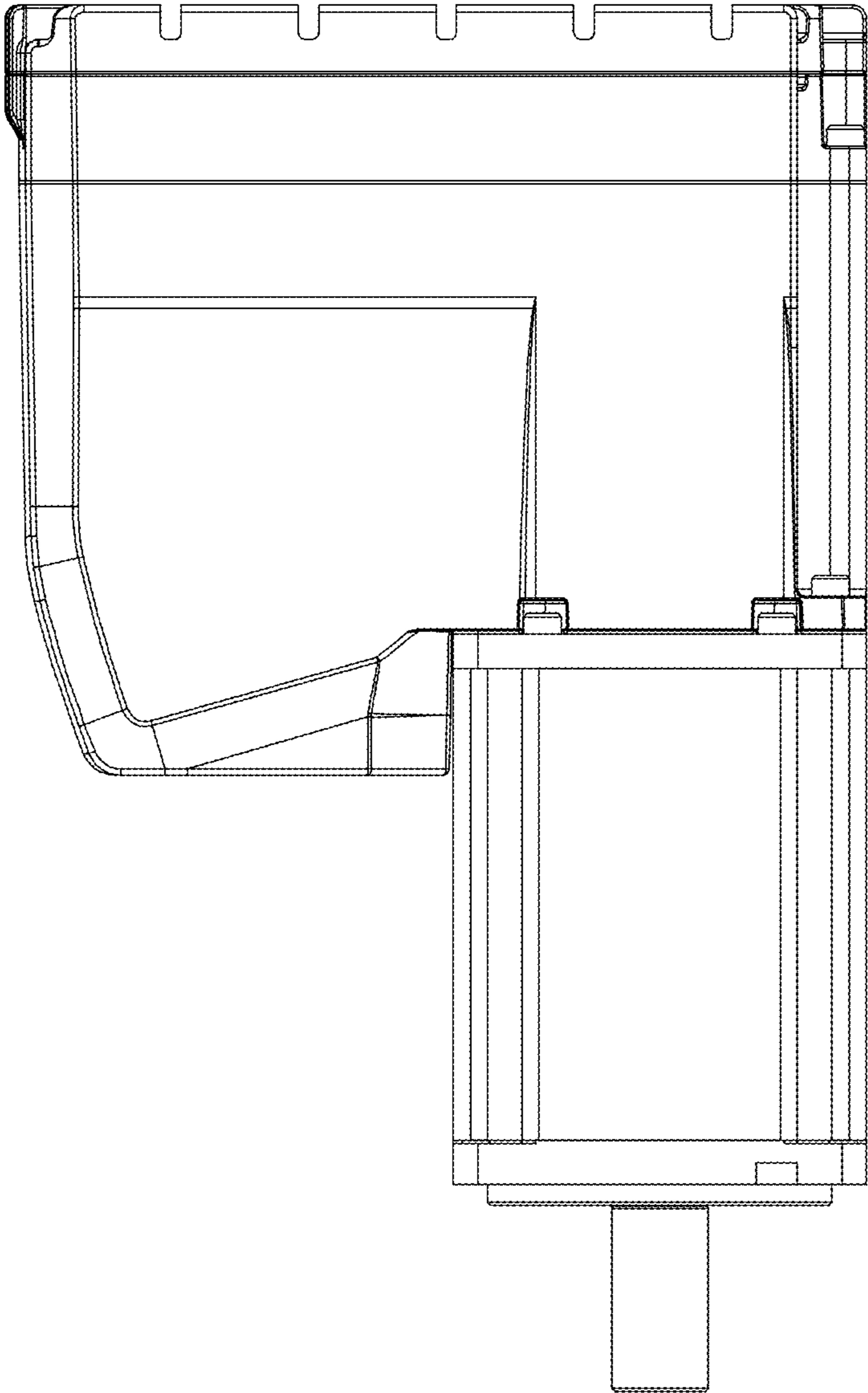


Fig. 5

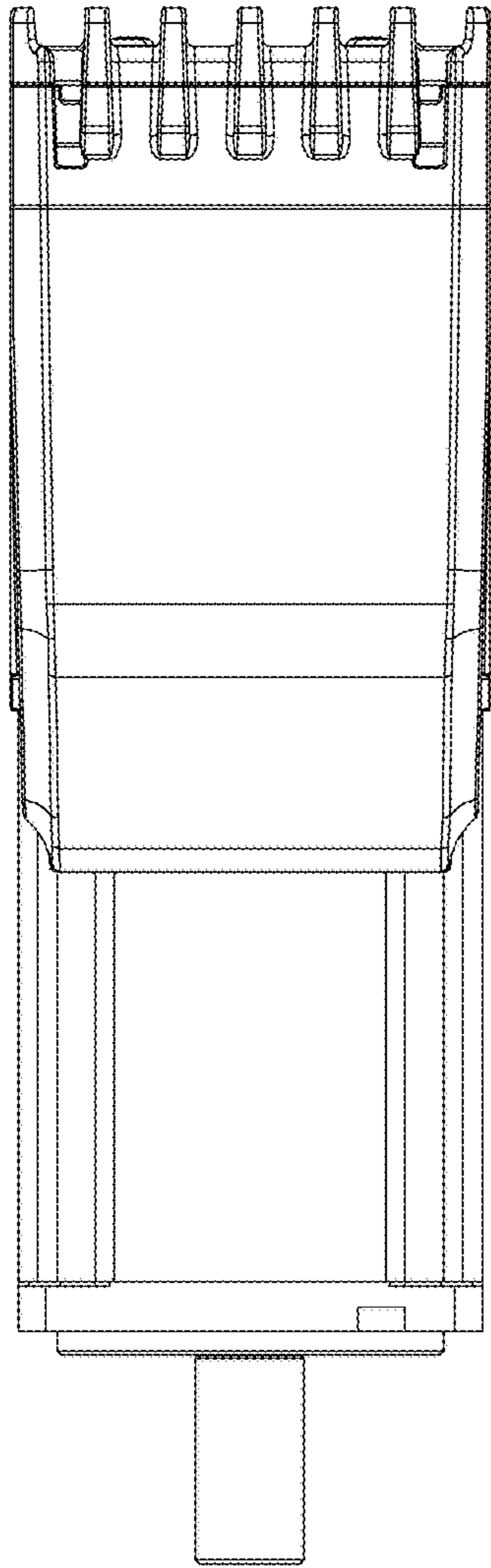


Fig. 6

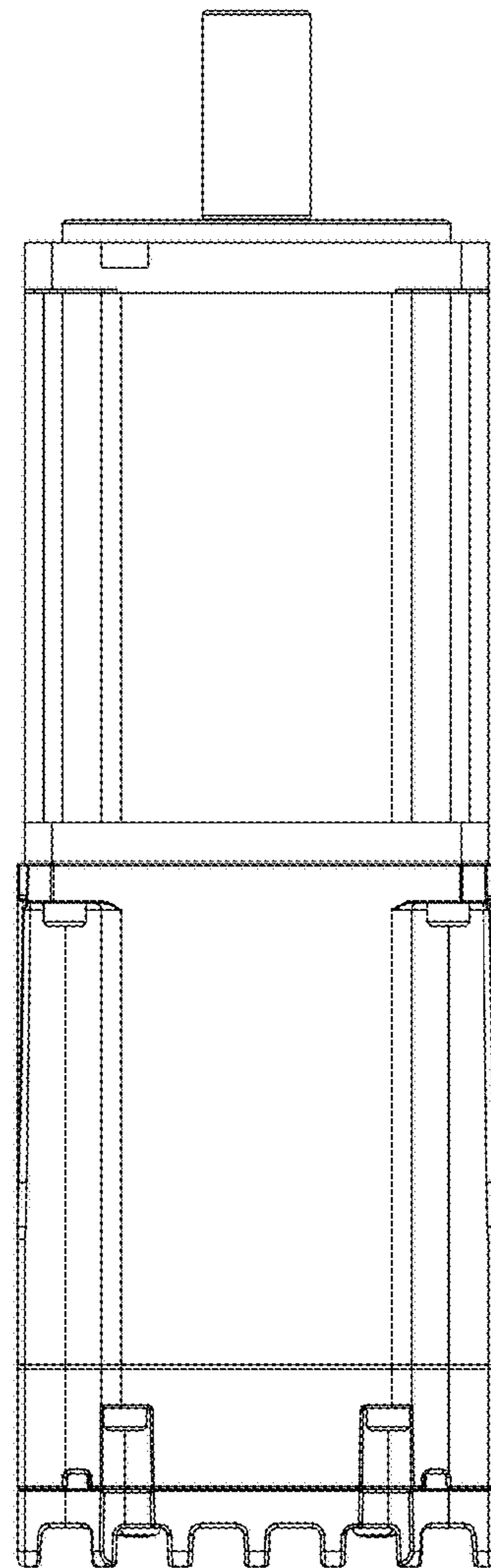


Fig. 7