



US00D784430S

(12) **United States Design Patent**
Liou et al.

(10) **Patent No.:** **US D784,430 S**
(45) **Date of Patent:** **** Apr. 18, 2017**

- (54) **INDUSTRIAL ROBOT MODULE**
- (71) Applicant: **HIWIN MIKROSYSTEM CORP.**,
Taichung (TW)
- (72) Inventors: **Jhong-Siang Liou**, Taichung (TW);
Chien-Nien Tsai, Taichung (TW);
Li-Wei Zheng, Taichung (TW);
Yu-Hsiang Lin, Taichung (TW);
Tzu-Hsiang Hung, Taichung (TW)
- (73) Assignee: **HIWIN MIKROSYSTEM CORP.**,
Taichung (TW)
- (**) Term: **15 Years**
- (21) Appl. No.: **29/548,682**
- (22) Filed: **Dec. 15, 2015**
- (51) **LOC (10) Cl.** **15-09**
- (52) **U.S. Cl.**
USPC **D15/143**; D15/199
- (58) **Field of Classification Search**
USPC D13/118, 158, 162, 184; D15/1-5, 7, 9,
D15/143, 148, 149, 199
CPC F16H 25/20; F16H 25/2021; F16H
2025/2065; F16H 2025/2081; F16H
2025/2087; Y10T 74/18752; Y10T
74/18056; Y10T 74/18576; Y10T
74/18688; Y10T 74/18696
See application file for complete search history.

- (56) **References Cited**
U.S. PATENT DOCUMENTS
D325,726 S * 4/1992 Yamagata D13/160
D333,666 S * 3/1993 Kawashima D15/142
D361,580 S * 8/1995 Bauer D15/138
D407,409 S * 3/1999 Masuda D15/199
D589,543 S * 3/2009 Lin D15/143

D596,653 S *	7/2009	Fukano	D15/143
D611,514 S *	3/2010	Fukano	D15/143
D621,860 S *	8/2010	Fukano	D13/107
D624,099 S *	9/2010	Fukano	D13/158
D624,100 S *	9/2010	Fukano	D13/158
D624,570 S *	9/2010	Fukano	D15/143
D624,572 S *	9/2010	Fukano	D13/158
D636,798 S *	4/2011	Fukano	D15/143
D636,799 S *	4/2011	Fukano	D15/143
D656,169 S *	3/2012	Fukano	D15/143
D677,624 S *	3/2013	Goodman	D13/112
D685,014 S *	6/2013	Mangold	D15/143
D686,257 S *	7/2013	Wu	D15/143
D695,799 S *	12/2013	Landerholm	D15/143
D704,238 S *	5/2014	Fukano	D15/143
D708,239 S *	7/2014	Lin	D15/143
D744,559 S *	12/2015	Nakayama	D15/143
D767,656 S *	9/2016	Wu	D15/143
2009/0288511 A1 *	11/2009	Kuribayashi	F16H 25/20 74/89.38
2015/0240922 A1 *	8/2015	Parker	F16H 25/2015 74/89.37

(Continued)

Primary Examiner — Patricia Palasik
(74) *Attorney, Agent, or Firm* — Guice Patents PLLC

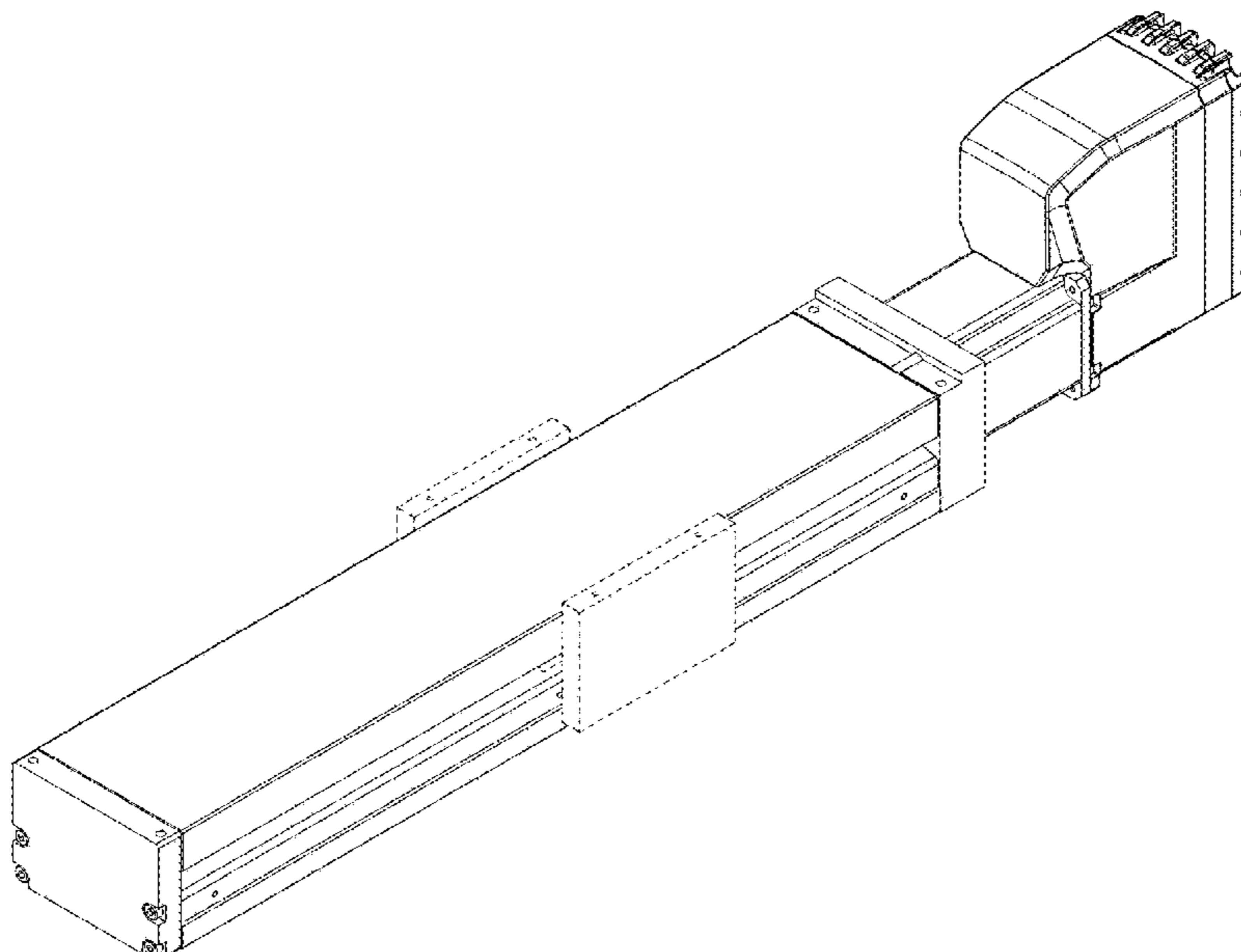
(57) **CLAIM**

The ornamental design for industrial robot module, shown and described.

DESCRIPTION

FIG. 1 is a perspective view showing the front, left side and top of my new design for an industrial robot module.
FIG. 2 is a top view thereof;
FIG. 3 is a bottom view thereof;
FIG. 4 is a left view thereof;
FIG. 5 is a right view thereof;
FIG. 6 is a rear view thereof; and,
FIG. 7 is a front view thereof.

1 Claim, 4 Drawing Sheets



(56)

References Cited

U.S. PATENT DOCUMENTS

2016/0344312 A1* 11/2016 Trangbaek H02P 6/006

* cited by examiner

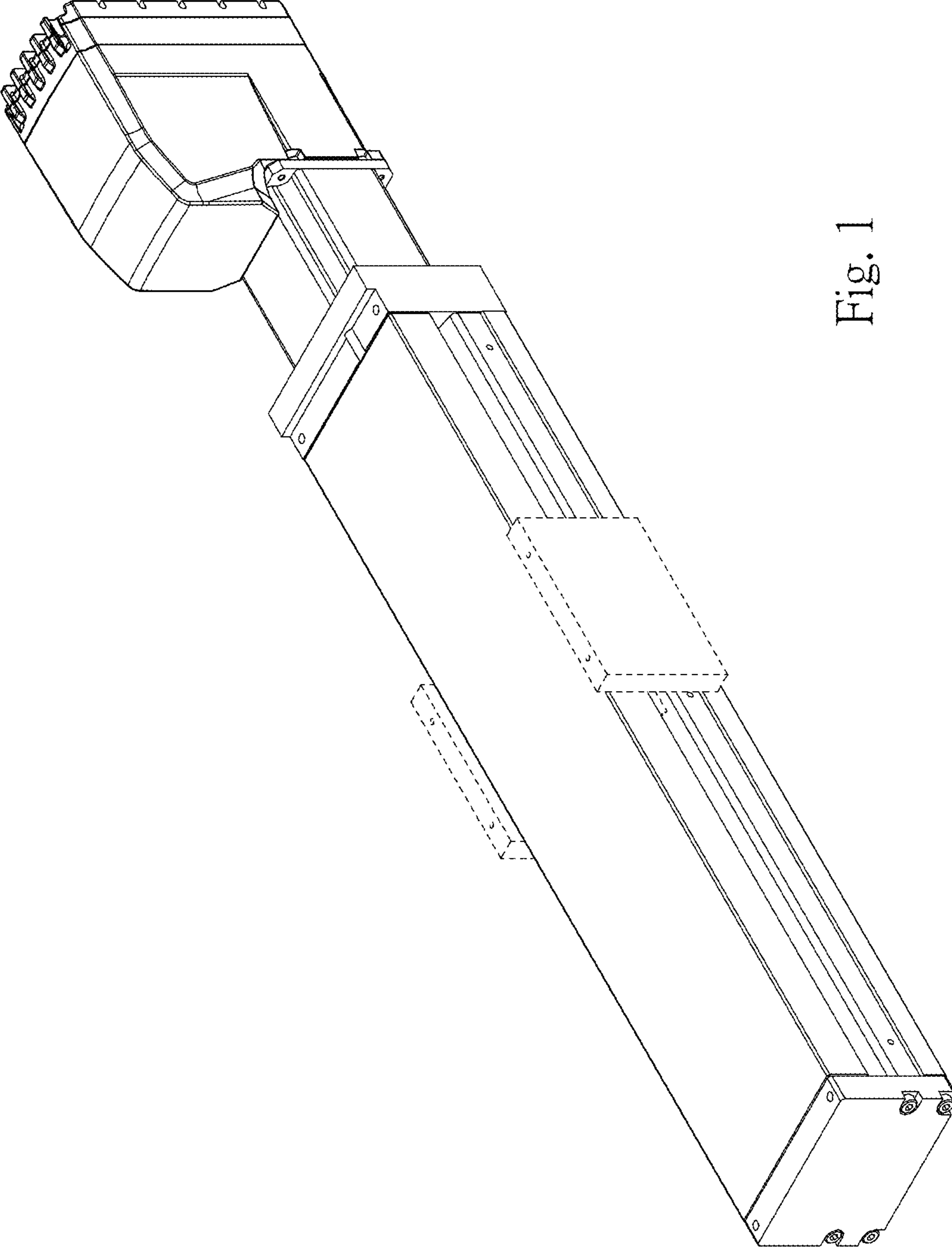


Fig. 1

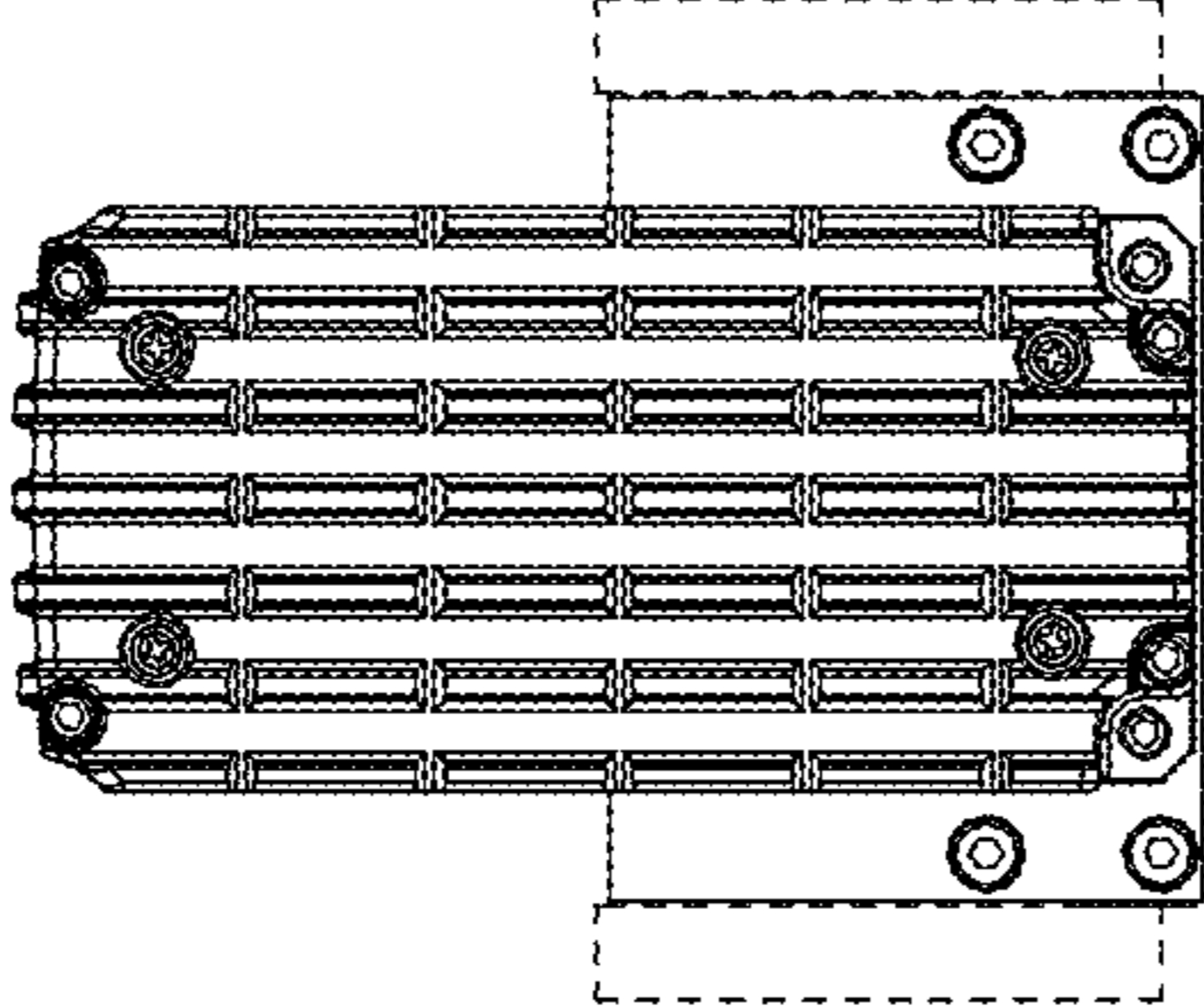


Fig. 3

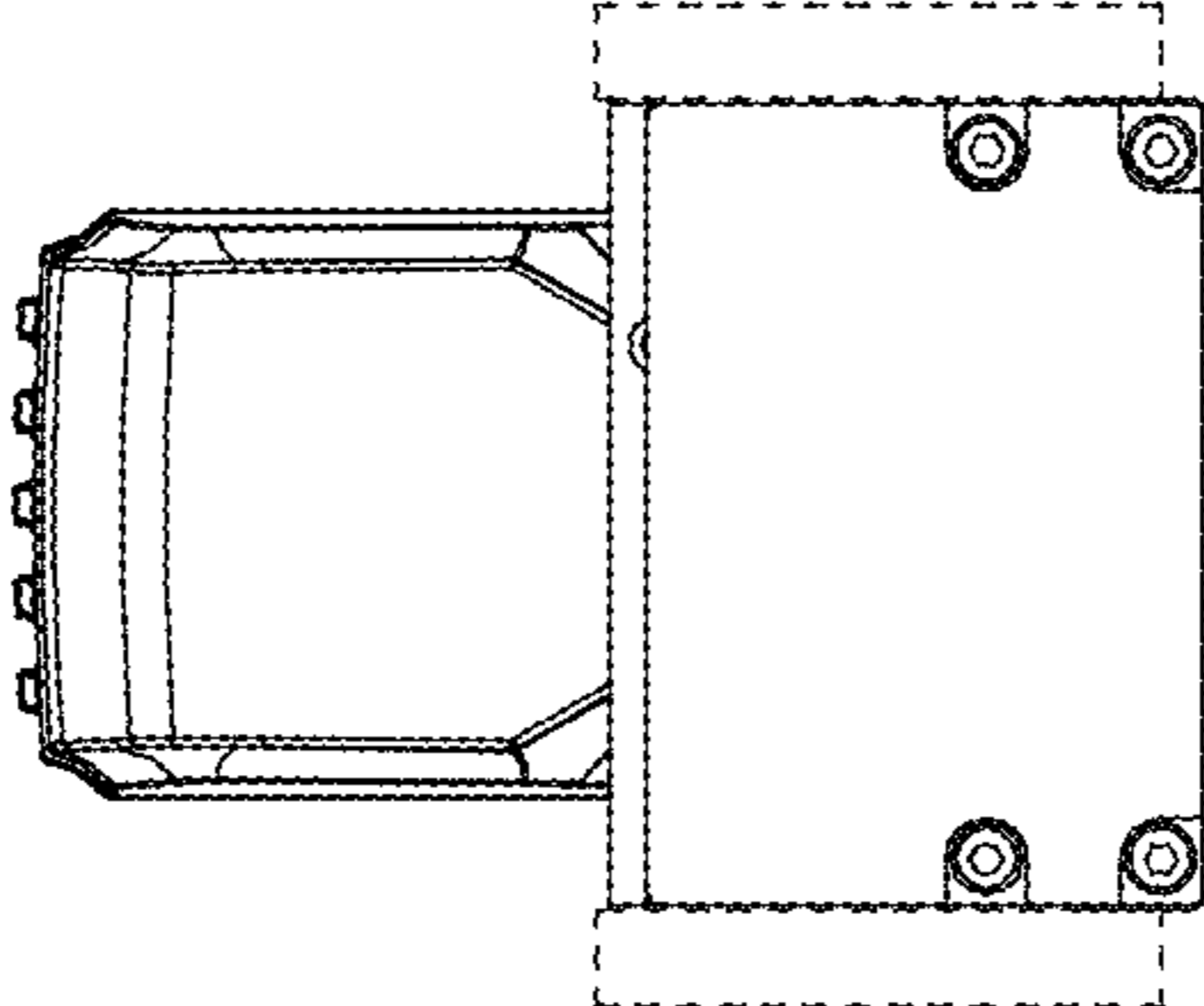


Fig. 2

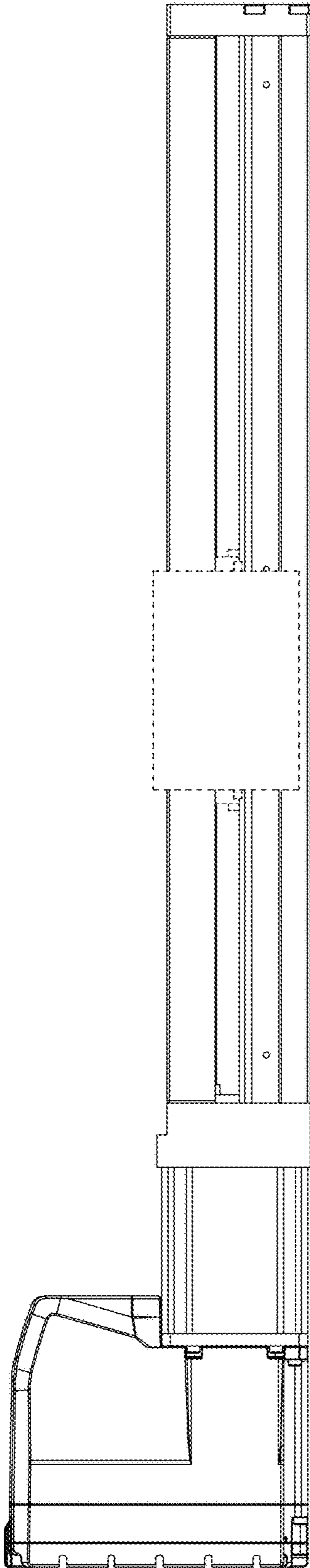


Fig. 4

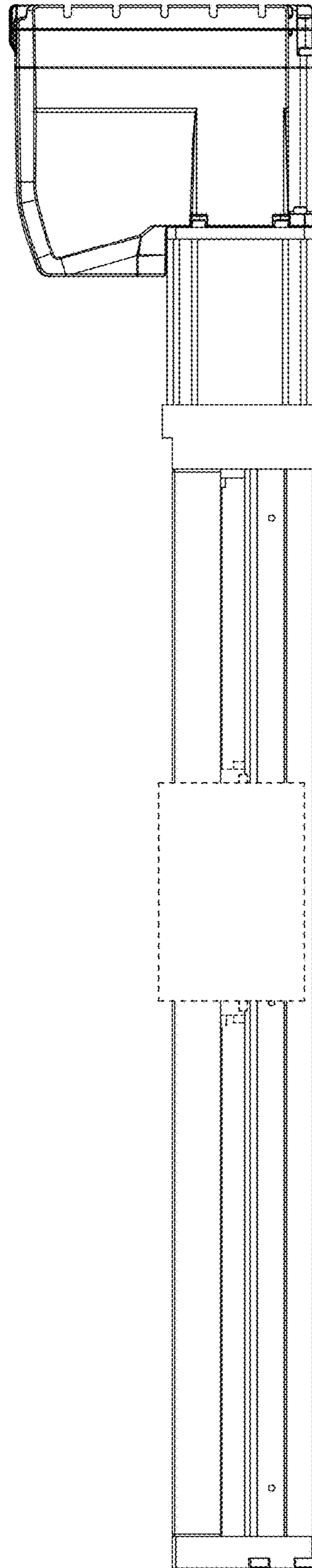


Fig. 5

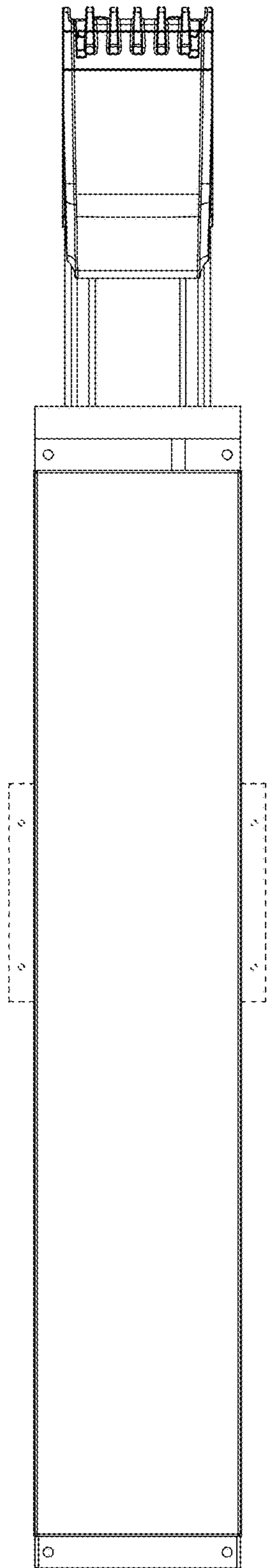


Fig. 6

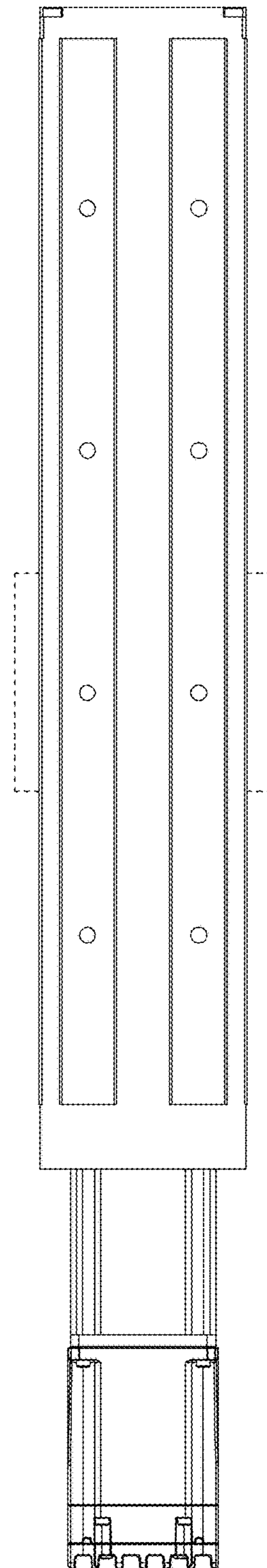


Fig. 7