



US00D784426S

(12) **United States Design Patent**
Okuyama et al.

(10) **Patent No.:** **US D784,426 S**
(45) **Date of Patent:** **** Apr. 18, 2017**

(54) **ENGINE HOOD FOR A WORKING VEHICLE**

(56)

References Cited

(71) Applicant: **YANMAR CO., LTD.**, Chayamachi,
Kita-ku, Osaka-shi, Osaka (JP)

(72) Inventors: **Kiyoyuki Okuyama**, Yamagata (JP);
Satoru Mishio, Chikugo (JP); **Keiichi Nishihara**, Chikugo (JP); **Kohei Okazaki**, Chikugo (JP)

(73) Assignee: **YANMAR CO., LTD.**, Osaka (JP)

(**) Term: **15 Years**

(21) Appl. No.: **29/570,311**

(22) Filed: **Jul. 7, 2016**

(30) **Foreign Application Priority Data**

Jan. 8, 2016 (JP) 2016-000376

(51) **LOC (10) Cl.** **15-03**

(52) **U.S. Cl.**
USPC **D15/31**

(58) **Field of Classification Search**
USPC D15/10, 11, 13-17, 22-26, 28, 31;
D12/173; 56/13.3, 13.4, 15.8, 15.9,
56/320.1; 180/89.1, 89.12, 900, 69.2,
180/68.1, 69.1
CPC B62D 25/10; B62D 25/00; B62D
49/00-49/085; B60R 19/52; B60R 21/38;
B60K 13/02; B60K 11/08; B60K 11/04;
F01P 11/10; F01P 5/06; F01P 2001/005;
B60Y 2200/221

See application file for complete search history.

U.S. PATENT DOCUMENTS

D560,050 S *	1/2008	Tokach	D15/31
D578,274 S *	10/2008	Tokach	D15/31
D629,818 S *	12/2010	Rummer	D15/31
D670,746 S *	11/2012	Ewringmann	D15/31
D708,233 S *	7/2014	Furuki	D15/28
D715,333 S *	10/2014	Jacobsthal	D15/31
D724,109 S *	3/2015	Haro	D15/20
D749,150 S *	2/2016	Payne	D15/31
D754,214 S *	4/2016	Payne	D15/31
D762,740 S *	8/2016	Okuyama	D15/28

* cited by examiner

Primary Examiner — Mark Goodwin

(74) *Attorney, Agent, or Firm* — Andrew F. Young, Esq.;
Lackenbach Siegel, LLP

(57) **CLAIM**

The ornamental design for an engine hood for a working vehicle, as shown and described.

DESCRIPTION

FIG. 1 is a front perspective view of an engine hood for a working vehicle showing our new design.

FIG. 2 is a front elevation view thereof.

FIG. 3 is a rear elevation view thereof.

FIG. 4 is a top plan view thereof.

FIG. 5 is a bottom plan view thereof.

FIG. 6 is a left side elevation view thereof; and,

FIG. 7 is a right side elevation view thereof.

In the drawings, the broken lines depict unclaimed environmental subject matter and form no part of the claim. The surface is lined for contour only, and no claim is made a particular texture.

1 Claim, 7 Drawing Sheets

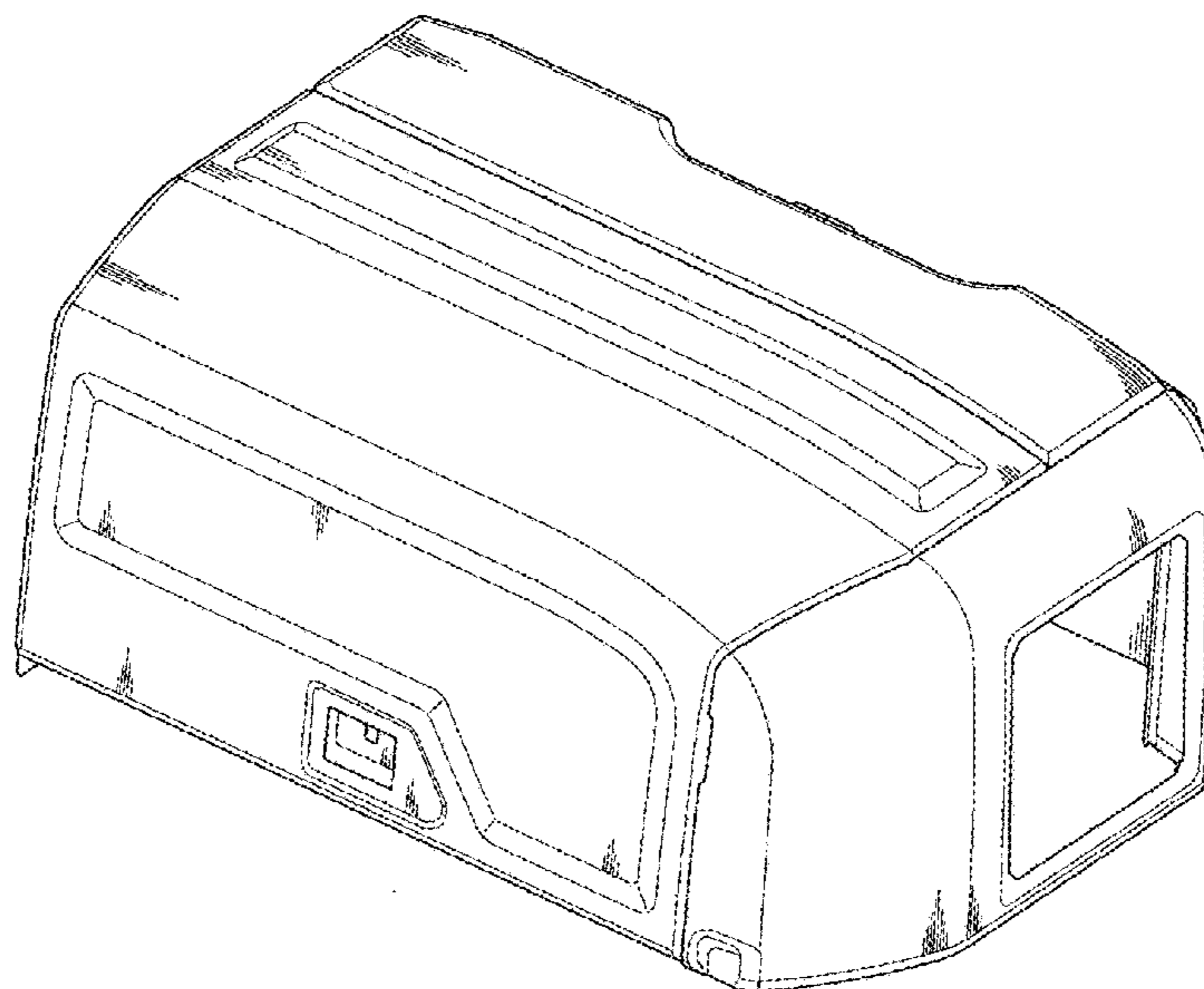


FIG. 1

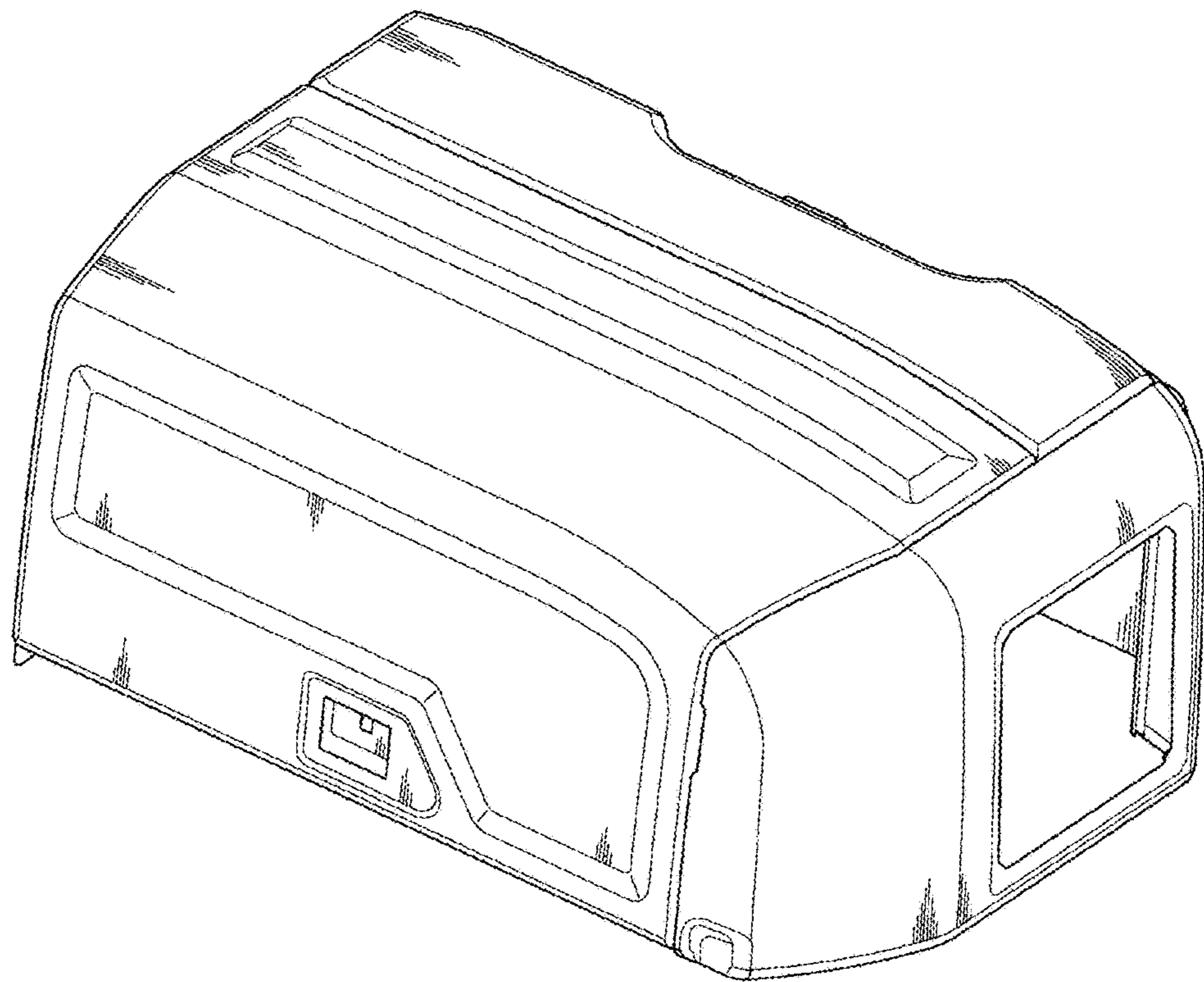


FIG. 2

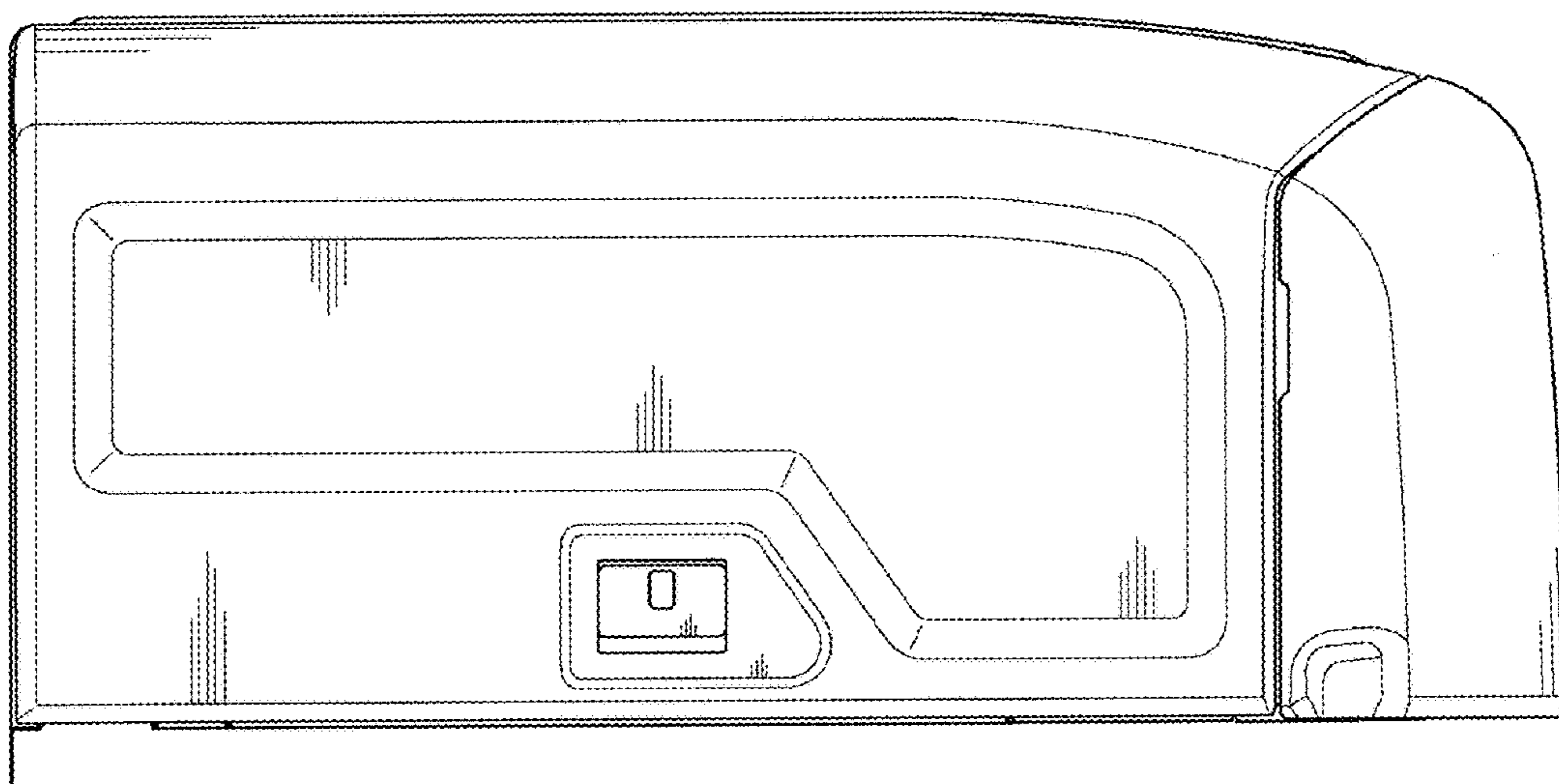


FIG. 3

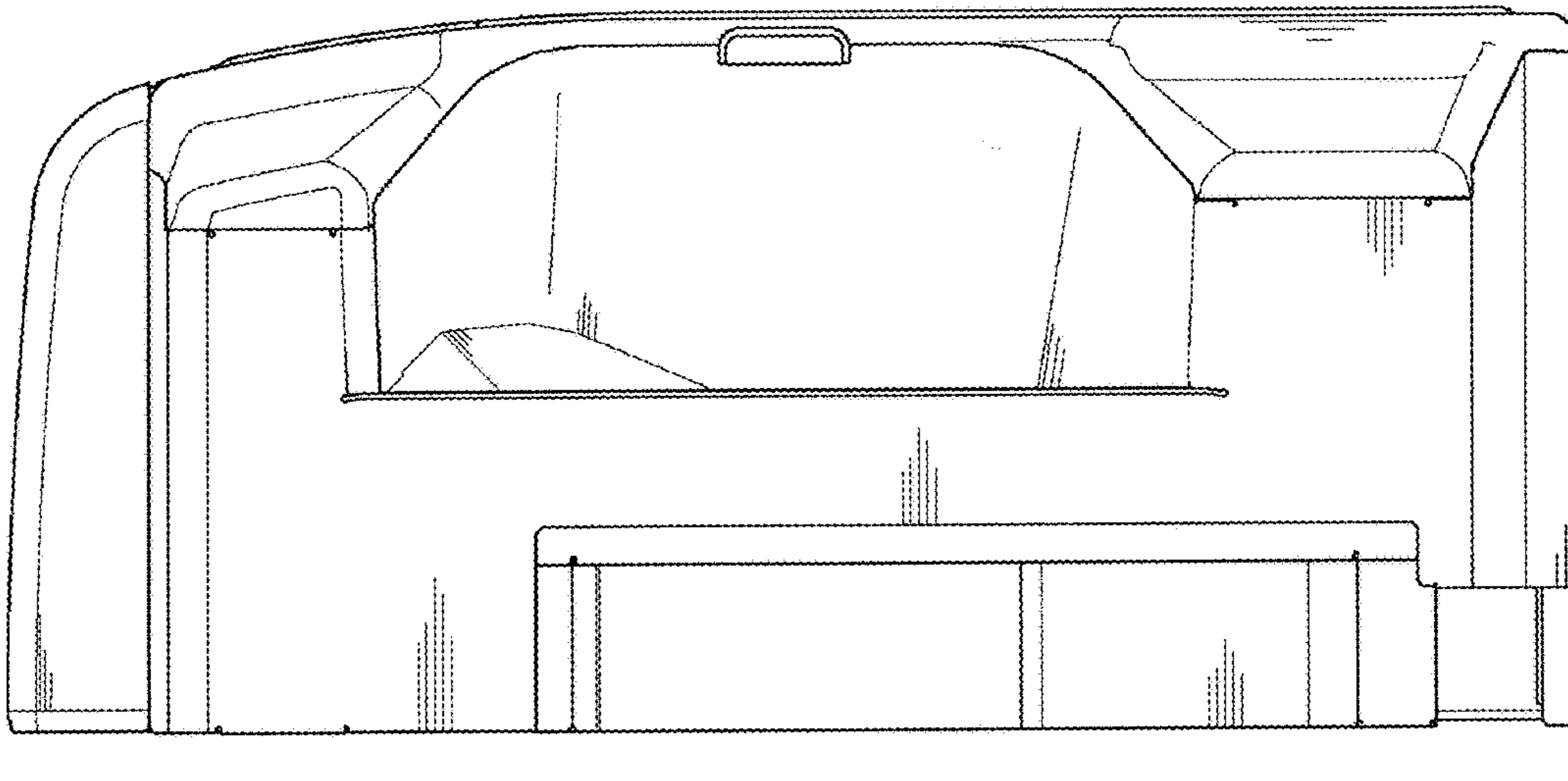


FIG. 4

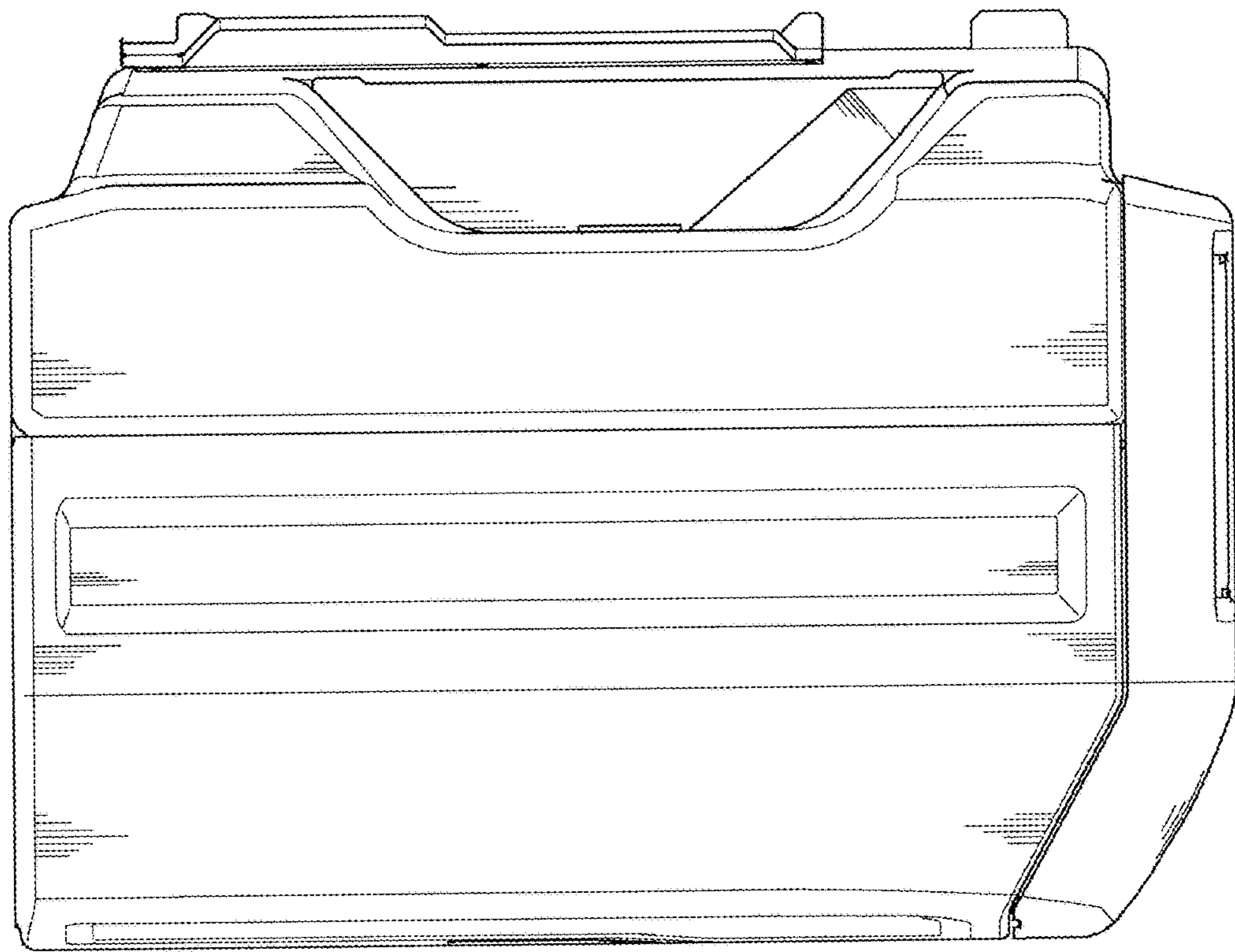


FIG. 5

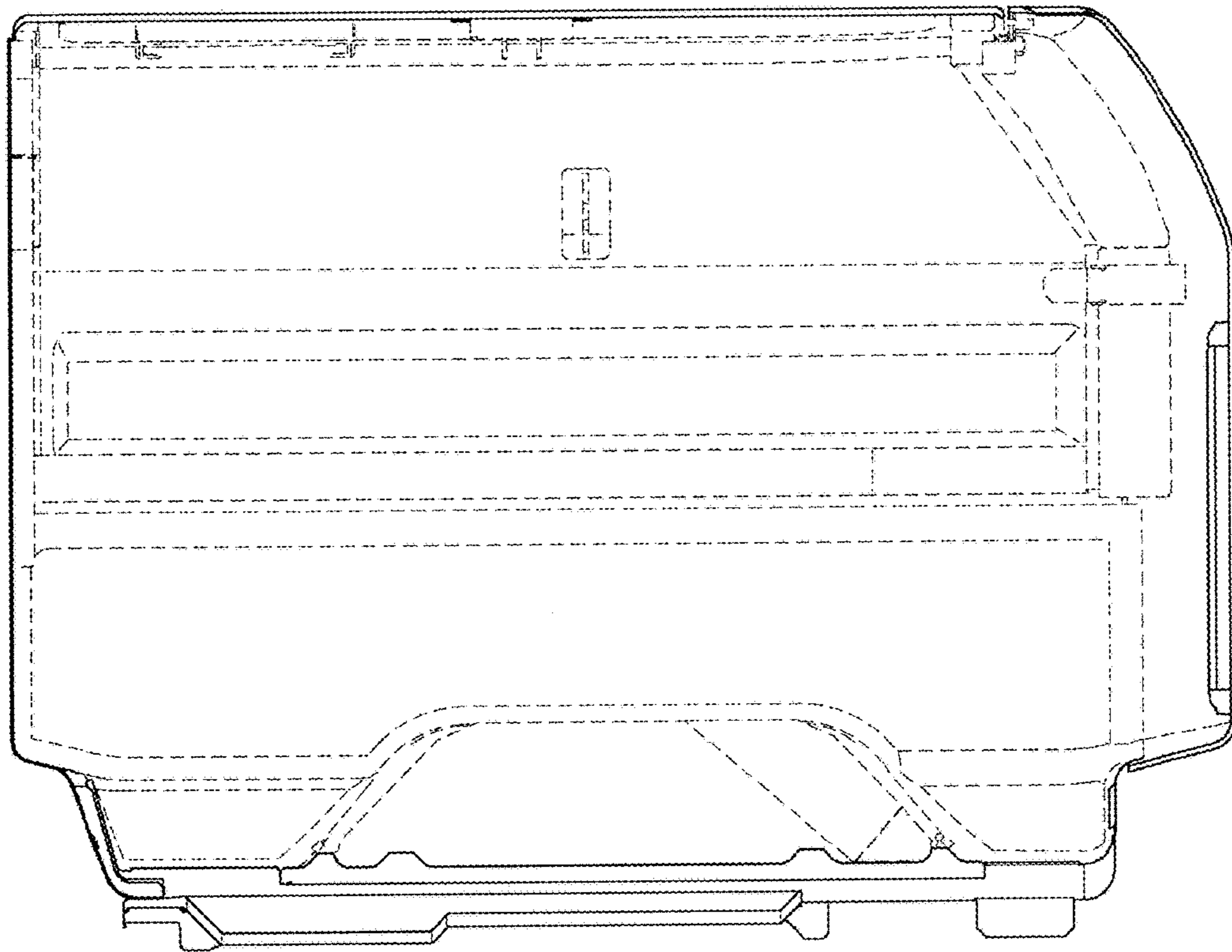


FIG. 6

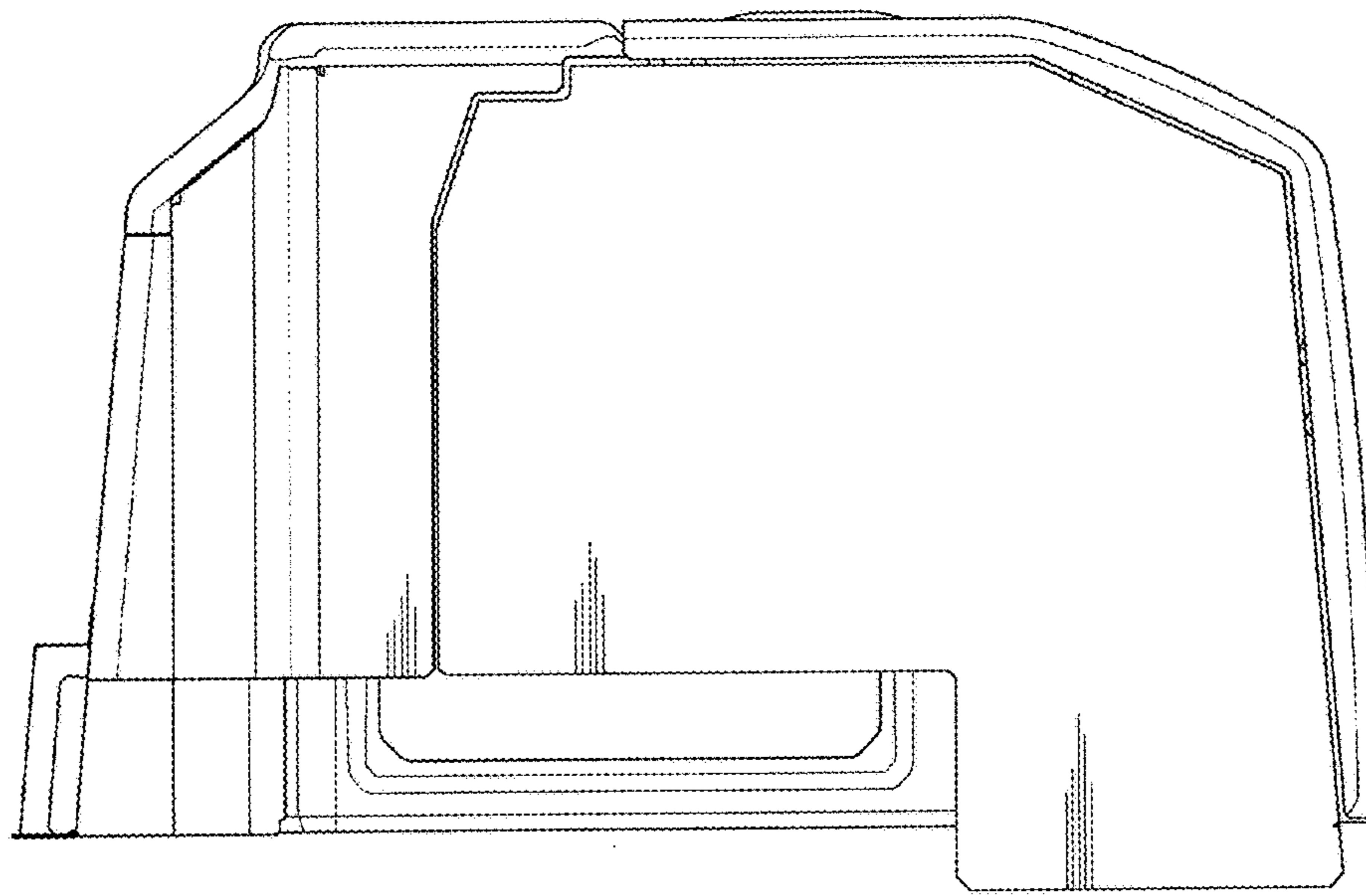


FIG. 7

