



US00D784420S

(12) **United States Design Patent**  
**Zhang et al.**

(10) **Patent No.:** **US D784,420 S**  
(45) **Date of Patent:** **\*\* Apr. 18, 2017**

(54) **LAWN MOWER**  
(71) Applicant: **CHERVON (HK) LIMITED**, Wanchai (HK)  
(72) Inventors: **Su Zhang**, Nanjing (CN); **Derek Smith**, Nanjing (CN)  
(73) Assignee: **Chervon (HK) Limited**, Wanchai (HK)  
(\*\*) Term: **15 Years**

D508,924 S \* 8/2005 Henssler ..... D15/14  
D544,501 S \* 6/2007 Chung Lee ..... D15/14  
D620,029 S \* 7/2010 Baetica ..... D15/14  
D620,030 S \* 7/2010 Baetica ..... D15/14  
D628,598 S \* 12/2010 Neeley ..... D15/14  
D646,698 S \* 10/2011 Park ..... D15/14  
D648,354 S \* 11/2011 Hattori ..... D15/14  
D652,846 S \* 1/2012 Stratford ..... D15/14  
D653,265 S \* 1/2012 Stratford ..... D15/14  
D665,823 S \* 8/2012 Hannig ..... D15/14  
D723,068 S \* 2/2015 Qiu ..... D15/14  
D725,155 S \* 3/2015 McKay ..... D15/14  
D726,227 S \* 4/2015 Aglassinger ..... D15/14

(21) Appl. No.: **29/560,662**  
(22) Filed: **Apr. 8, 2016**  
(51) **LOC (10) Cl.** ..... **15-03**  
(52) **U.S. Cl.**  
USPC ..... **D15/14**  
(58) **Field of Classification Search**  
USPC ..... D15/10, 14-18; 56/12.8, 12.7, 13.4,  
56/16.7, 17.5, 202, 254, 255, 294, 11.4,  
56/320.1, 320.2, 249, 252, 11.9, 17.1,  
56/17.4, 295; 280/43.17  
CPC .... A01D 42/04; A01D 42/00; A01D 2101/00;  
A01D 34/63; A01D 43/063  
See application file for complete search history.

\* cited by examiner

*Primary Examiner* — Mark Goodwin

(74) *Attorney, Agent, or Firm* — Greenberg Traurig, LLP

(57) **CLAIM**

What is claimed is the ornamental design for a lawn mower, as shown and described.

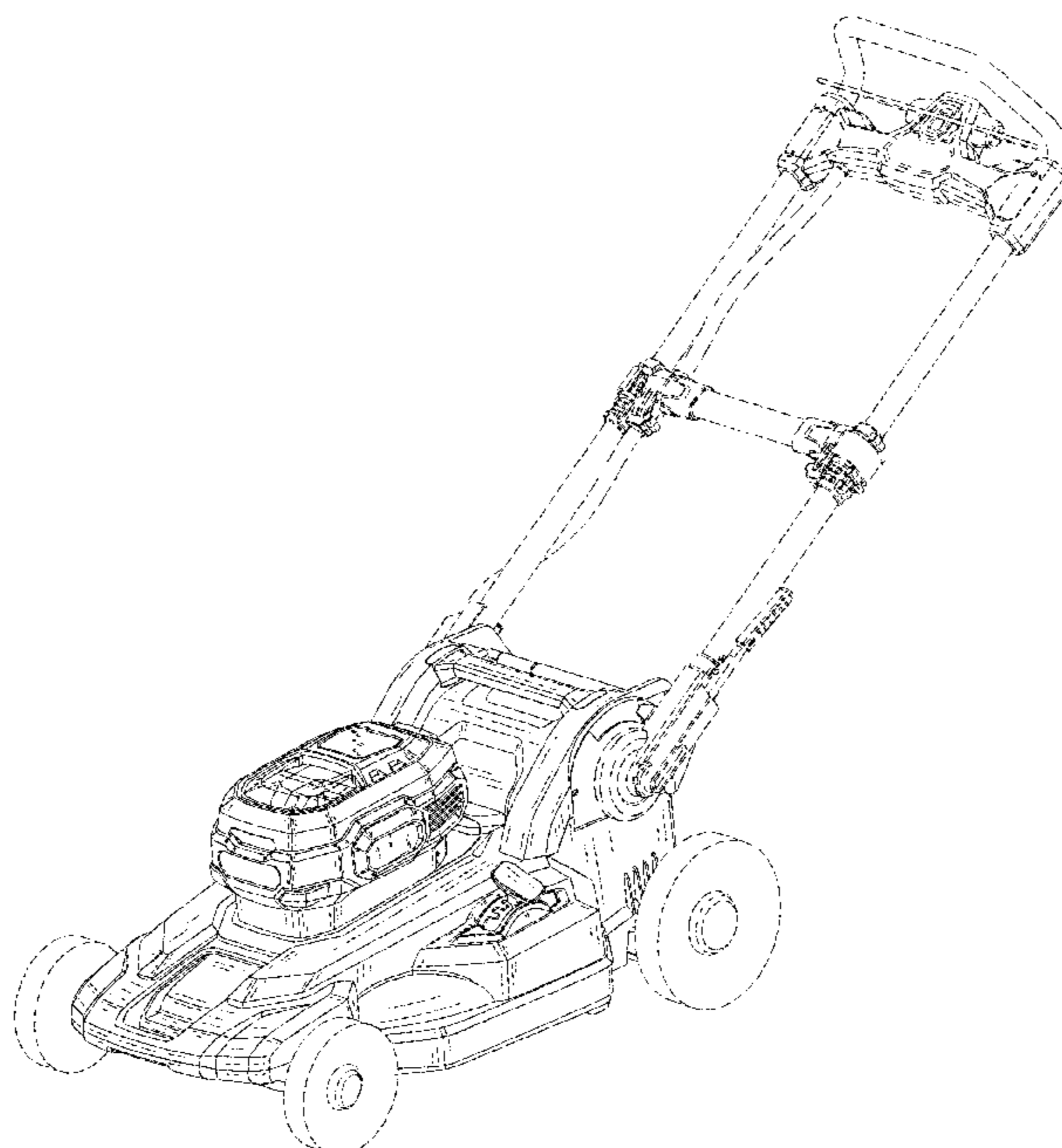
**DESCRIPTION**

FIG. 1 is a front perspective view of a lawn mower showing our new design;  
FIG. 2 is a rear perspective view thereof;  
FIG. 3 is a left side elevational view thereof;  
FIG. 4 is a right side elevational view thereof;  
FIG. 5 is a front side elevational view thereof;  
FIG. 6 is a rear side elevational view thereof;  
FIG. 7 is a top plan view thereof; and,  
FIG. 8 is a bottom plan view thereof.

Any elements shown in dotted and/or dashed lines are provided for illustrative purposes only and form no part of the design claimed. Any surface shading is used solely to show the character or contour of the surfaces represented.

**1 Claim, 8 Drawing Sheets**

(56) **References Cited**  
U.S. PATENT DOCUMENTS  
4,149,363 A \* 4/1979 Woelffer ..... A01D 43/063  
56/16.6  
4,399,647 A \* 8/1983 Soldavini ..... A01D 43/063  
56/202  
D424,070 S \* 5/2000 Danthois ..... D15/14  
D426,836 S \* 6/2000 Sirois ..... D15/14  
D497,918 S \* 11/2004 Osborne ..... D15/14  
D500,054 S \* 12/2004 Jager ..... D15/14  
D508,923 S \* 8/2005 Henssler ..... D15/14



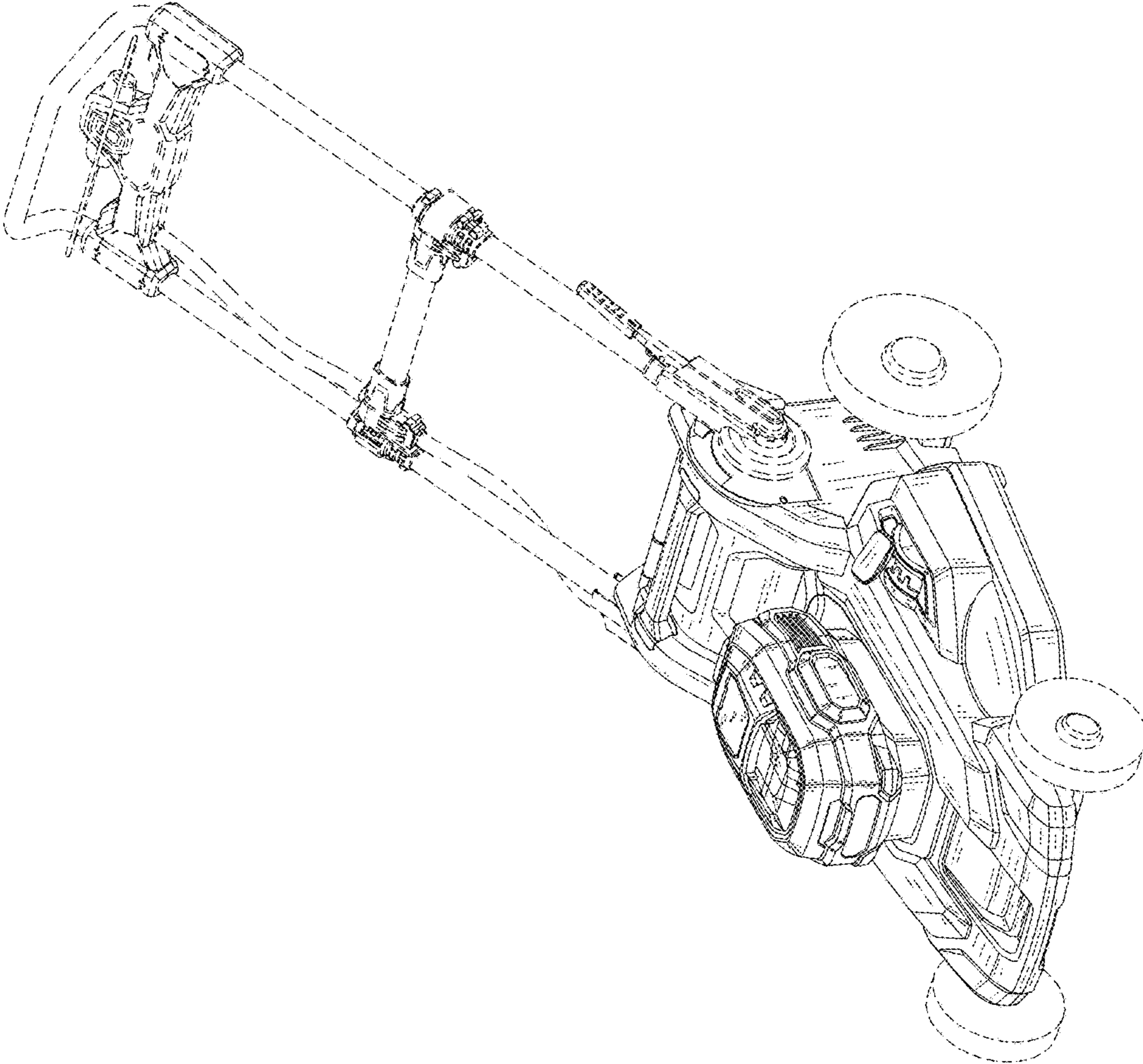


Fig. 1

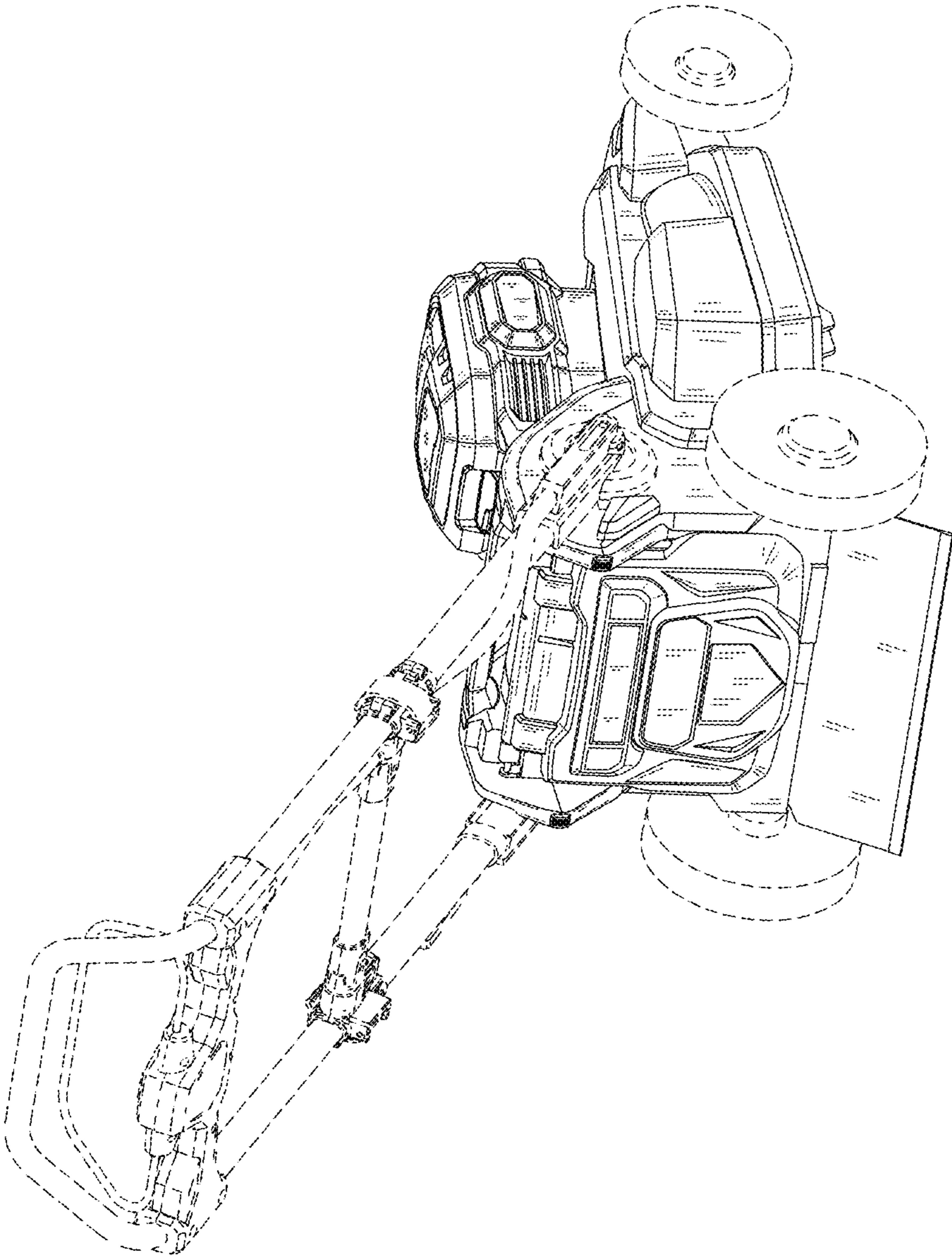


Fig. 2



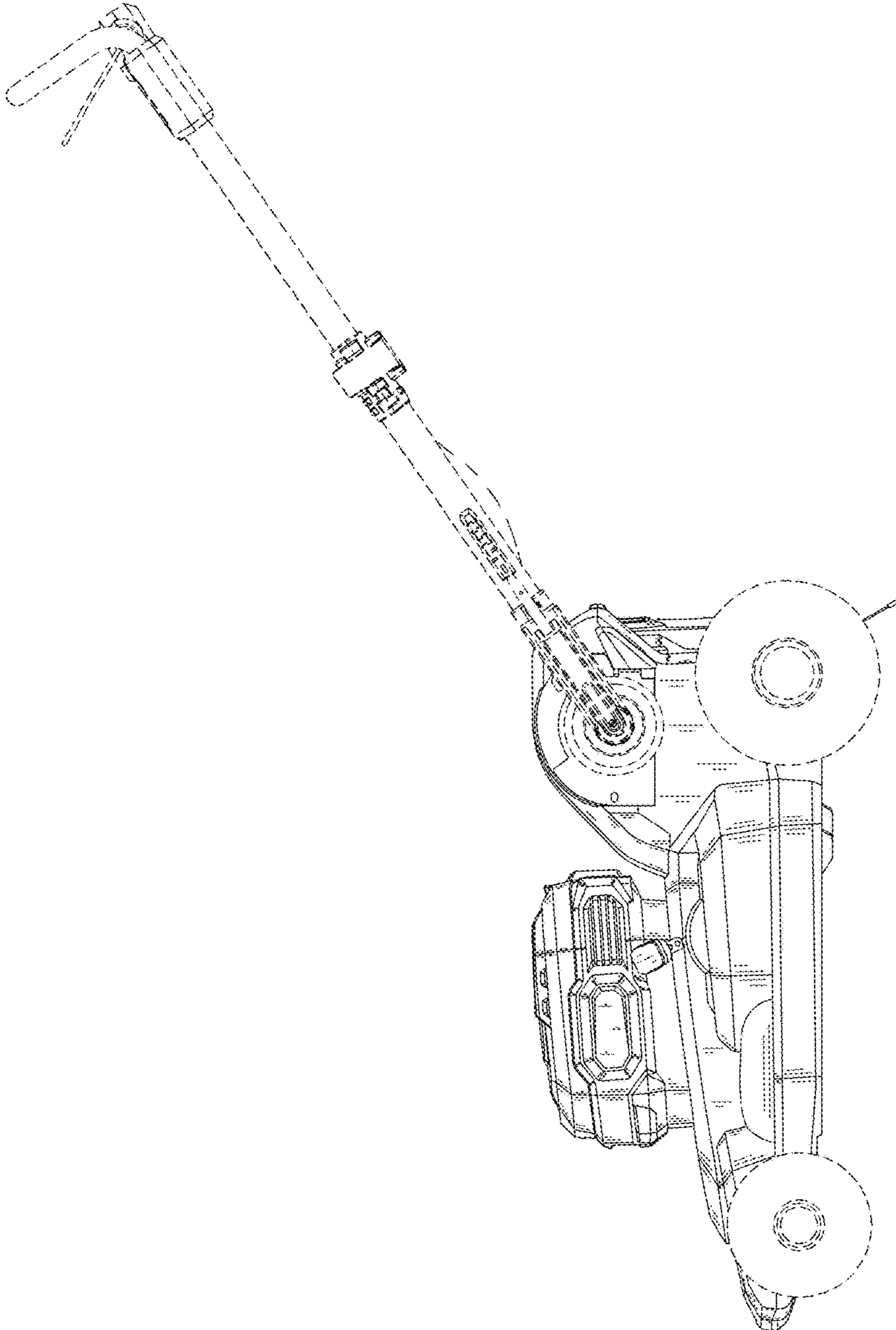


Fig. 3

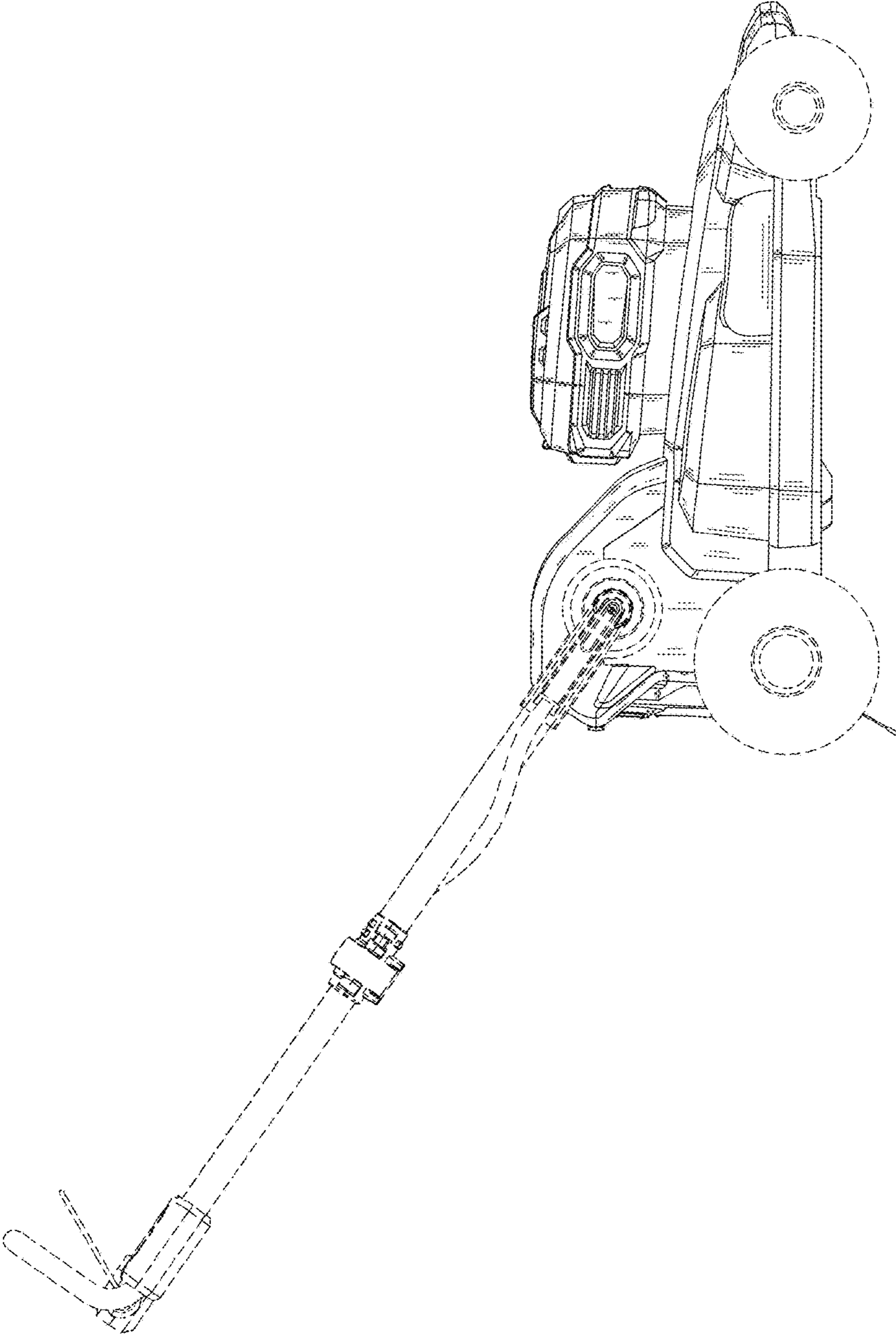


Fig. 4

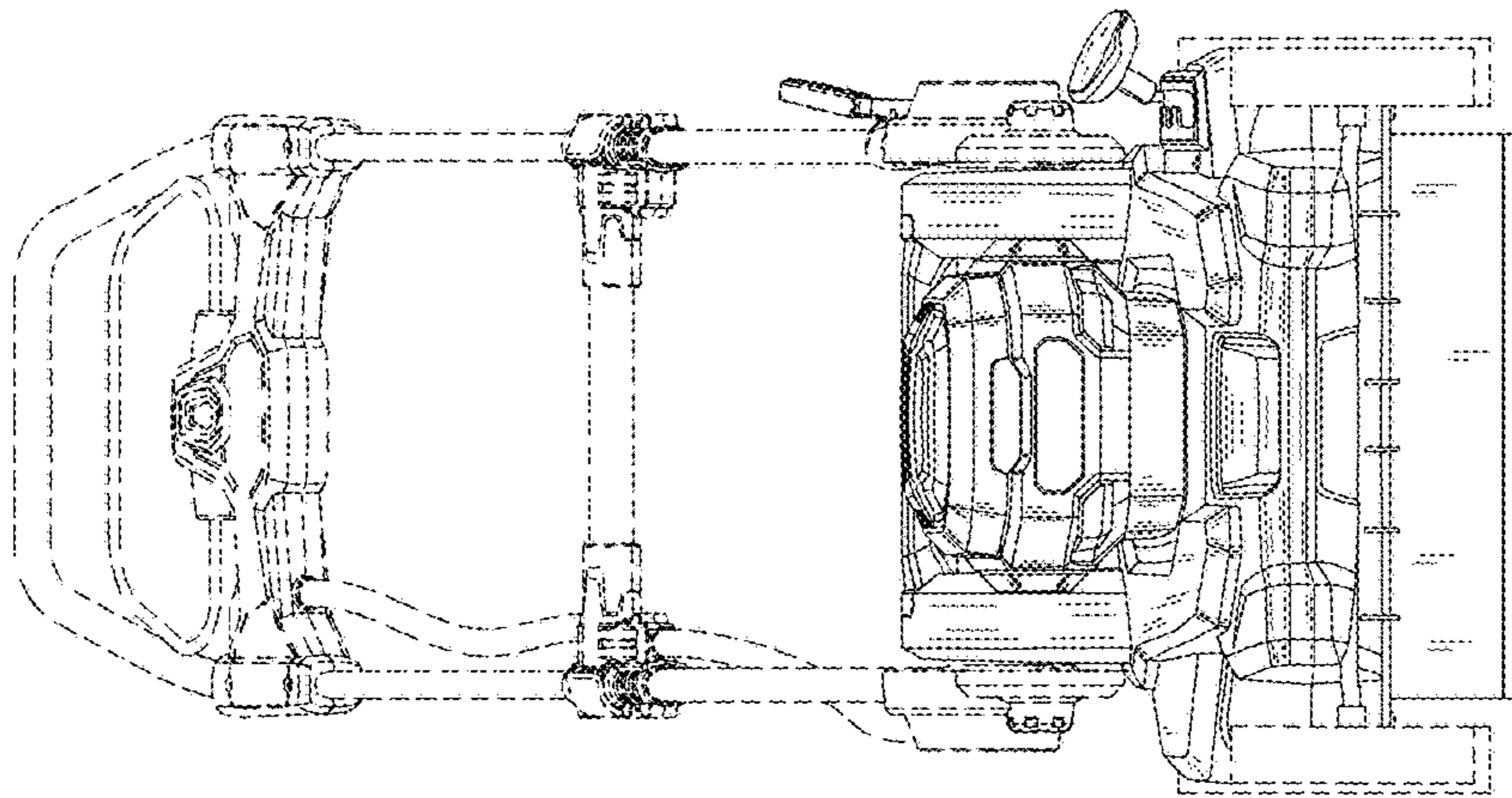


Fig. 5

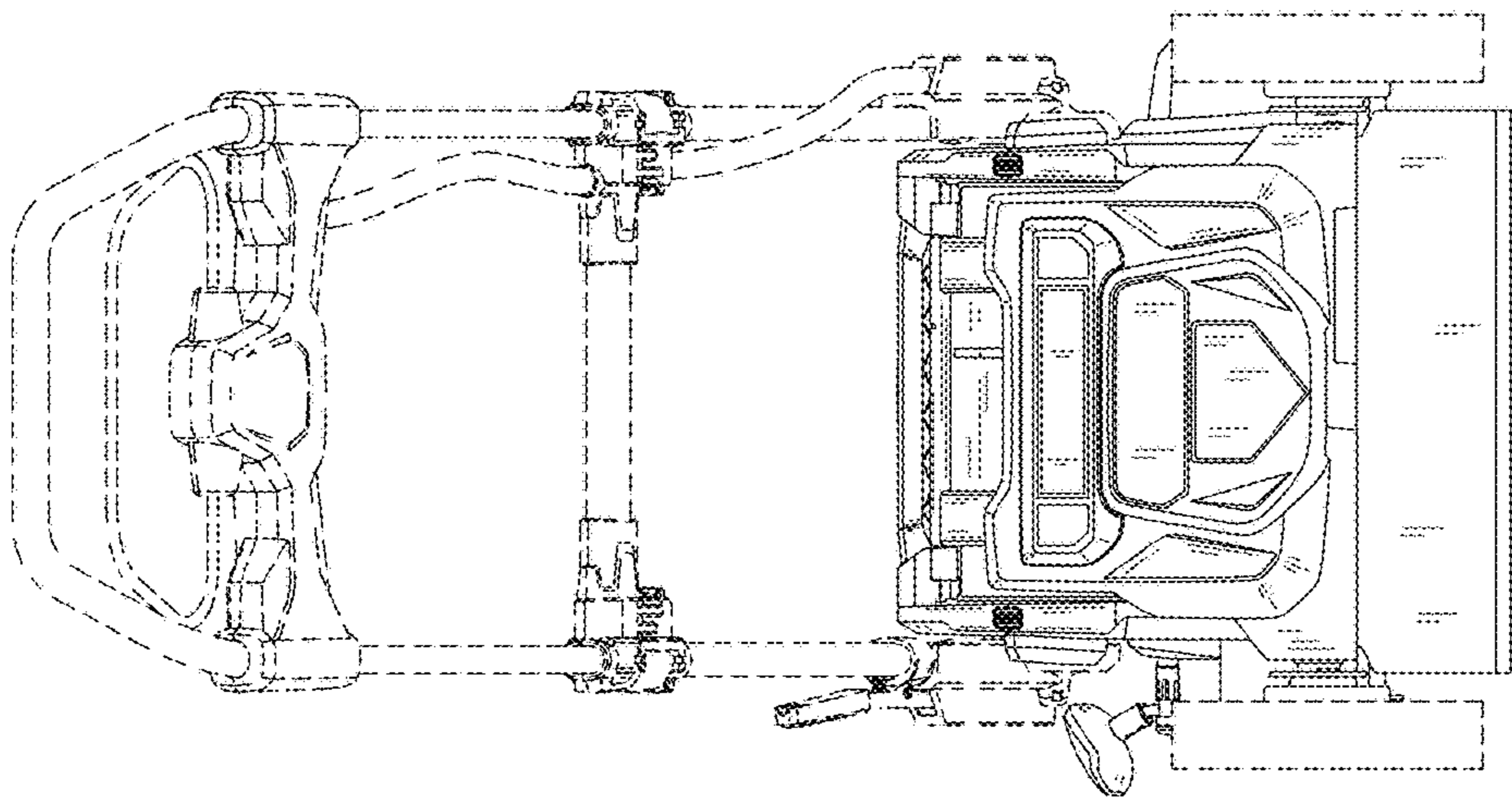


Fig. 6

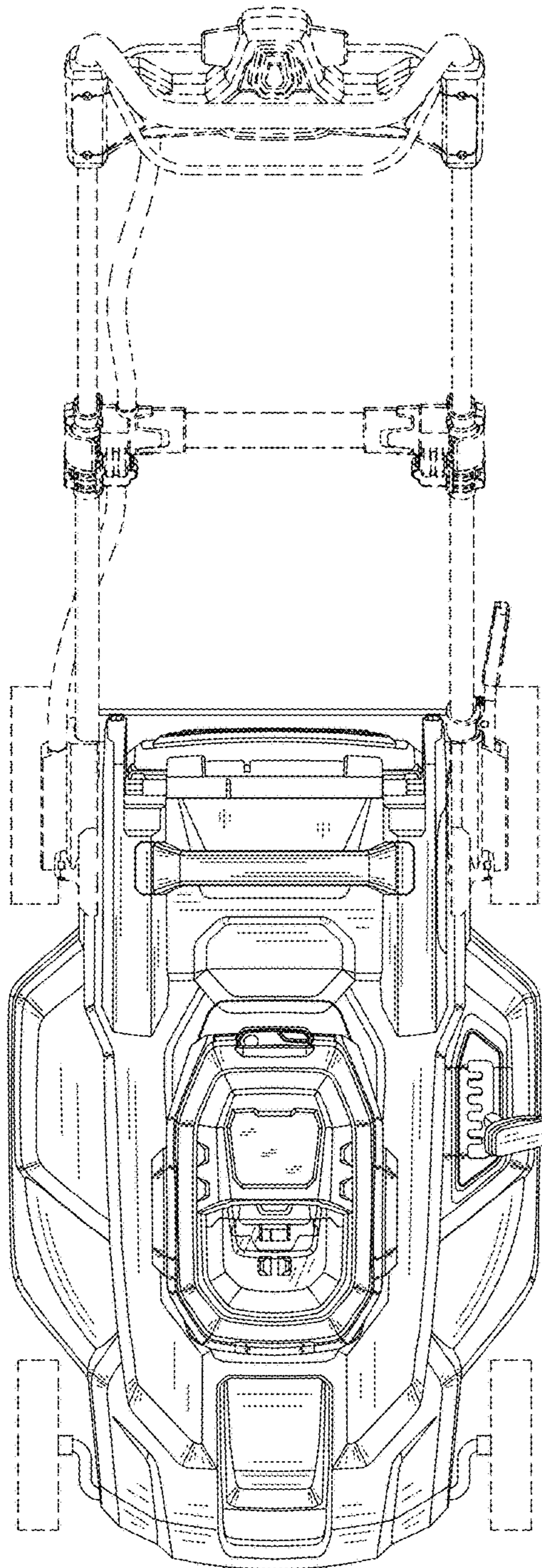


Fig. 7



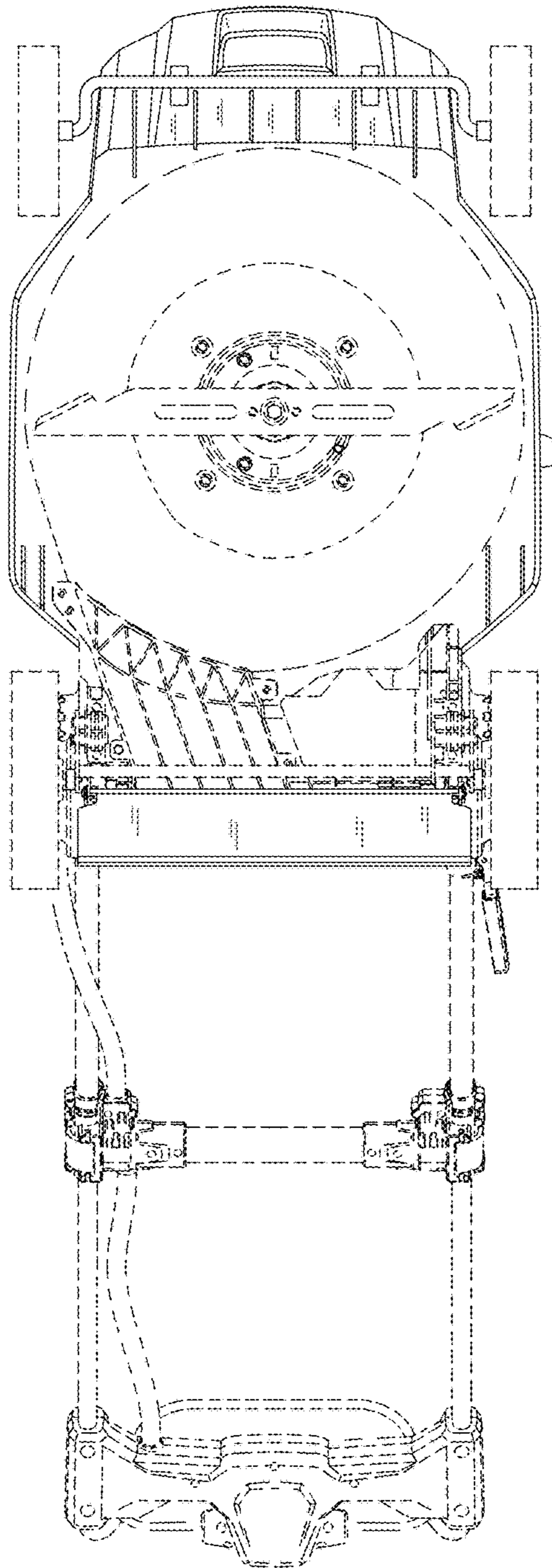


Fig. 8