



US00D784419S

(12) **United States Design Patent**  
**Gruber et al.**

(10) **Patent No.:** **US D784,419 S**  
(45) **Date of Patent:** **\*\* Apr. 18, 2017**

- (54) **SNOW PUSHER**
- (71) Applicant: **C & A MARKETING, INC.**,  
Ridgefield Park, NJ (US)
- (72) Inventors: **Abraham Gruber**, Brooklyn, NY (US);  
**Aharon Weiss**, Monroe, NY (US)
- (73) Assignee: **C & A Marketing, Inc.**, Edison, NJ  
(US)
- (\*\*) Term: **15 Years**
- (21) Appl. No.: **29/558,522**
- (22) Filed: **Mar. 18, 2016**
- (51) **LOC (10) Cl.** ..... **15-03**
- (52) **U.S. Cl.**  
USPC ..... **D15/11**
- (58) **Field of Classification Search**  
USPC ..... D15/10, 11, 28; D8/10, 106; 294/59;  
37/272, 274, 276, 231, 322, 260, 265,  
37/270, 285  
CPC ..... E01H 5/00; E01H 5/02; E02F 3/02  
See application file for complete search history.

(56) **References Cited**

**U.S. PATENT DOCUMENTS**

- 2,863,232 A \* 12/1958 Steinbach ..... E01H 5/02  
37/270
- 2,896,993 A \* 7/1959 Pollock ..... E01H 5/02  
294/54.5
- 3,017,710 A \* 1/1962 Carlson ..... B60B 37/10  
280/47.26
- 3,154,336 A \* 10/1964 Nelson ..... E01H 5/02  
16/110.1
- 3,155,413 A \* 11/1964 Holombo ..... E01H 5/02  
15/257.9
- D305,603 S \* 1/1990 Nelson ..... D15/11

- 5,511,327 A \* 4/1996 Jurkowski ..... E01H 5/02  
294/54.5
- 5,511,328 A \* 4/1996 Fingerer ..... E01H 5/02  
294/54.5
- D377,653 S \* 1/1997 Matisz ..... D15/11
- D396,236 S \* 7/1998 Matisz ..... D15/11
- D401,126 S \* 11/1998 Sroufe ..... D8/10
- D405,665 S \* 2/1999 Whitehead ..... D8/10
- D407,723 S \* 4/1999 Weisman ..... D15/11
- D459,641 S \* 7/2002 Guneyasu ..... D8/10
- D511,173 S \* 11/2005 Fatemi ..... D15/11
- D586,192 S \* 2/2009 Chesness ..... D8/10
- D626,388 S \* 11/2010 Greenly ..... D8/10
- D656,162 S \* 3/2012 Wiik ..... D15/11
- 2005/0160632 A1 \* 7/2005 Williams ..... E01H 5/02  
37/265
- 2005/0268498 A1 \* 12/2005 Fortino ..... E01H 5/02  
37/285

\* cited by examiner

*Primary Examiner* — Mark Goodwin

(74) *Attorney, Agent, or Firm* — Weiss & Arons LLP; Avi Goldenberg, Esq.

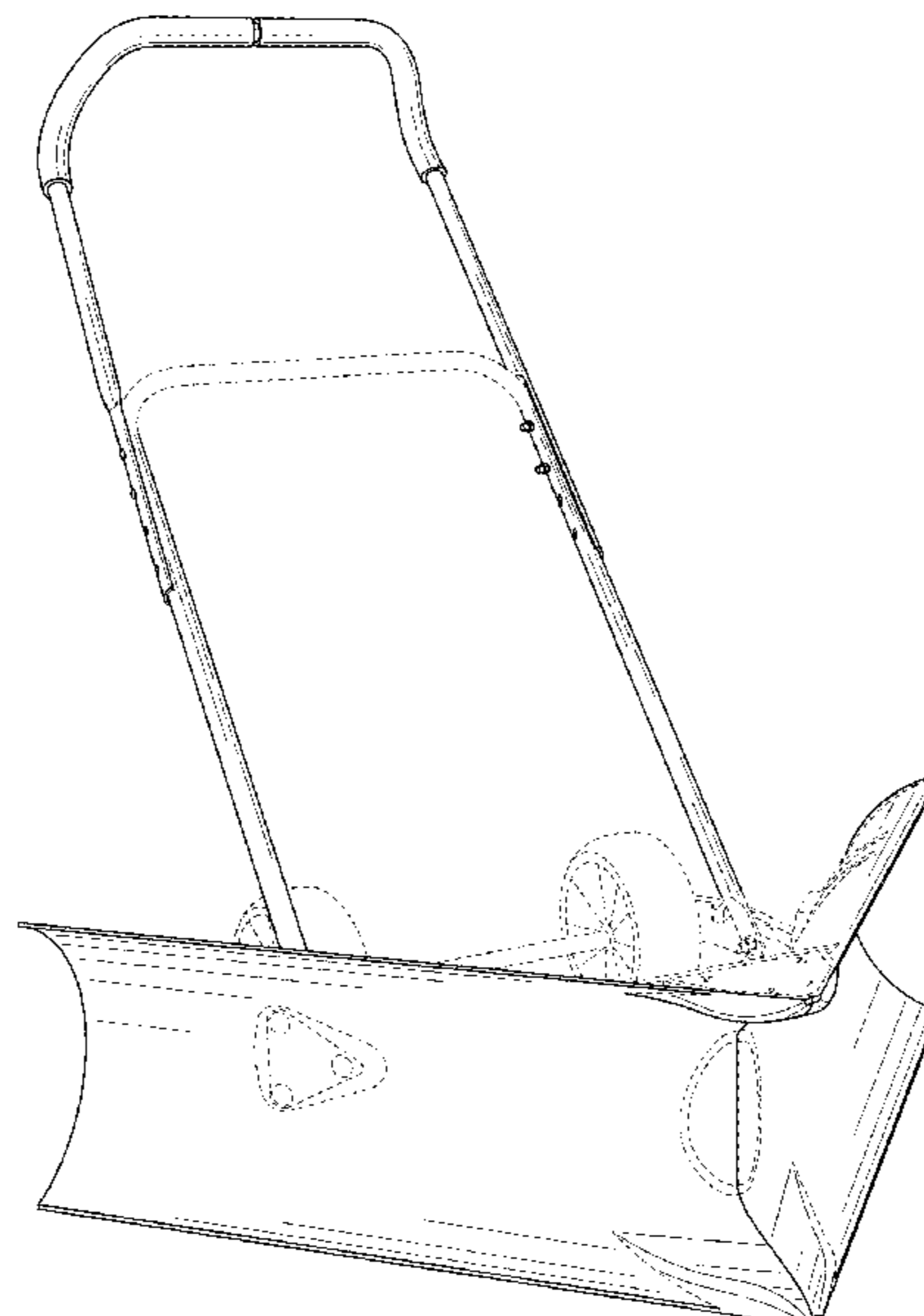
(57) **CLAIM**

The ornamental design for a snow pusher, as shown and described.

**DESCRIPTION**

FIG. 1 is a top, front, left perspective view of a snow pusher showing our new design;  
 FIG. 2 is a front elevational view thereof;  
 FIG. 3 is a rear elevational view thereof;  
 FIG. 4 is a left side elevational view thereof, the right side being a mirror image;  
 FIG. 5 is a top plan view thereof; and,  
 FIG. 6 is a bottom plan view thereof.  
 The broken line showing of the environment is for illustrative purposes only and forms no part of the claimed design.

**1 Claim, 6 Drawing Sheets**



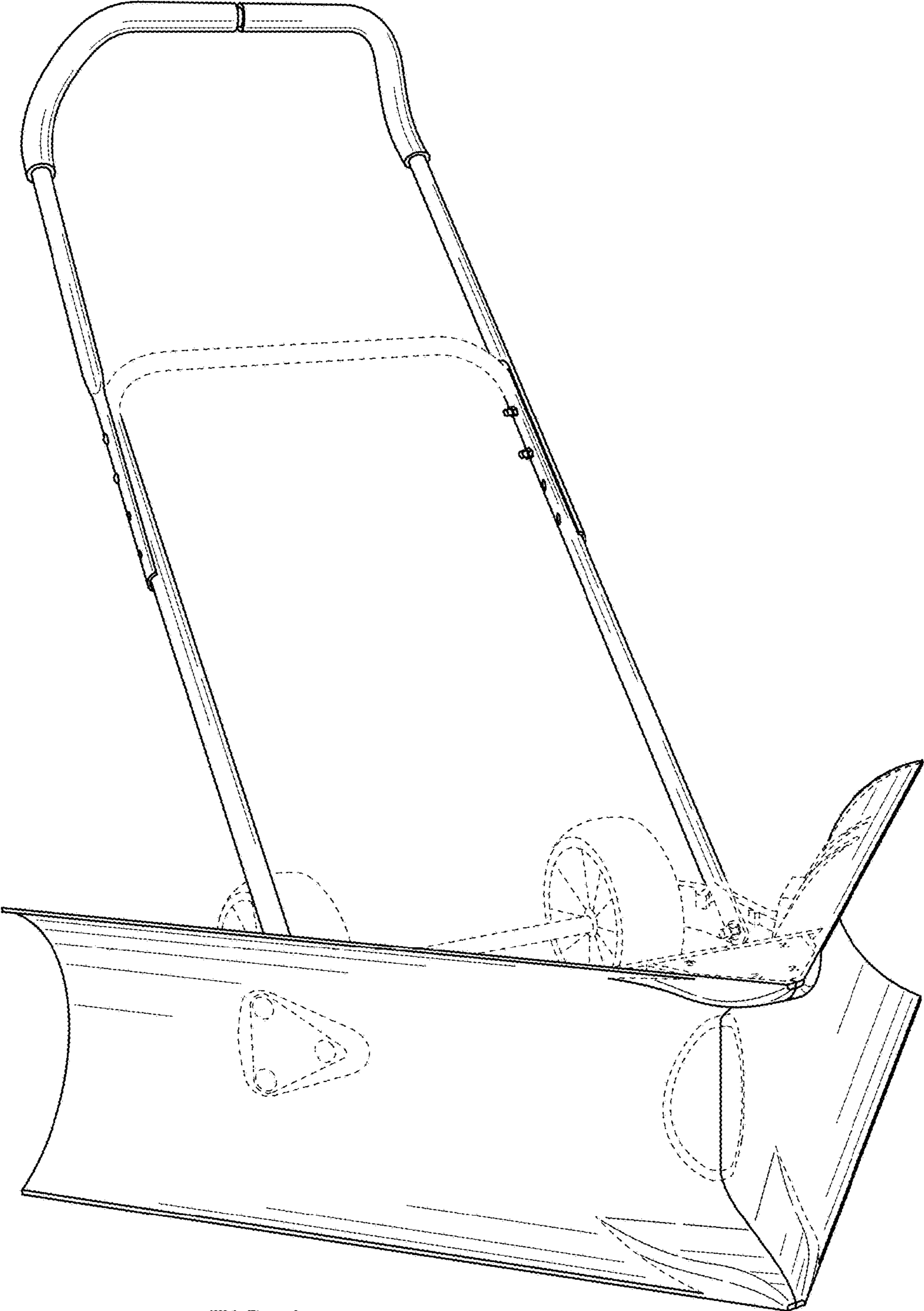


FIG. 1

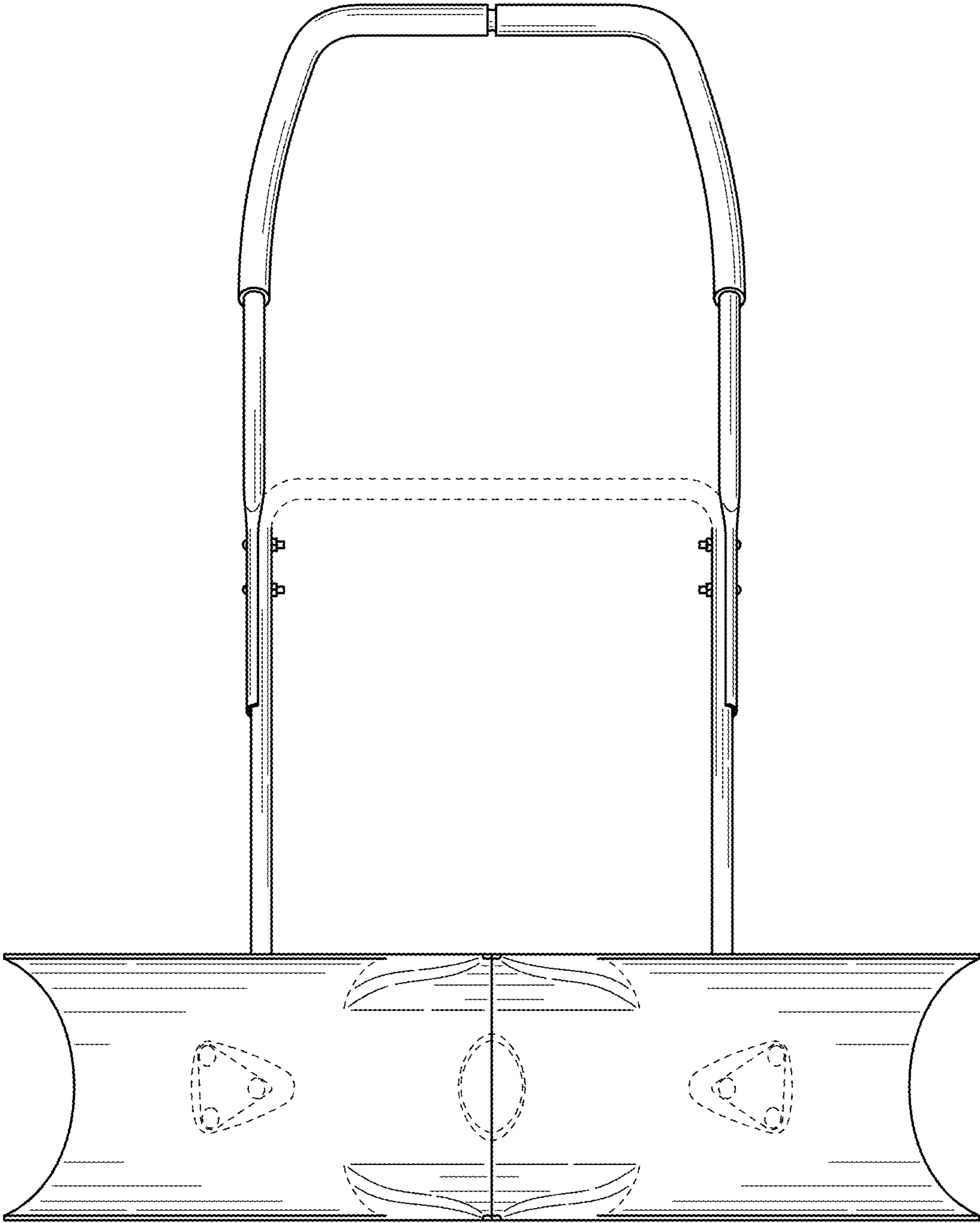


FIG. 2

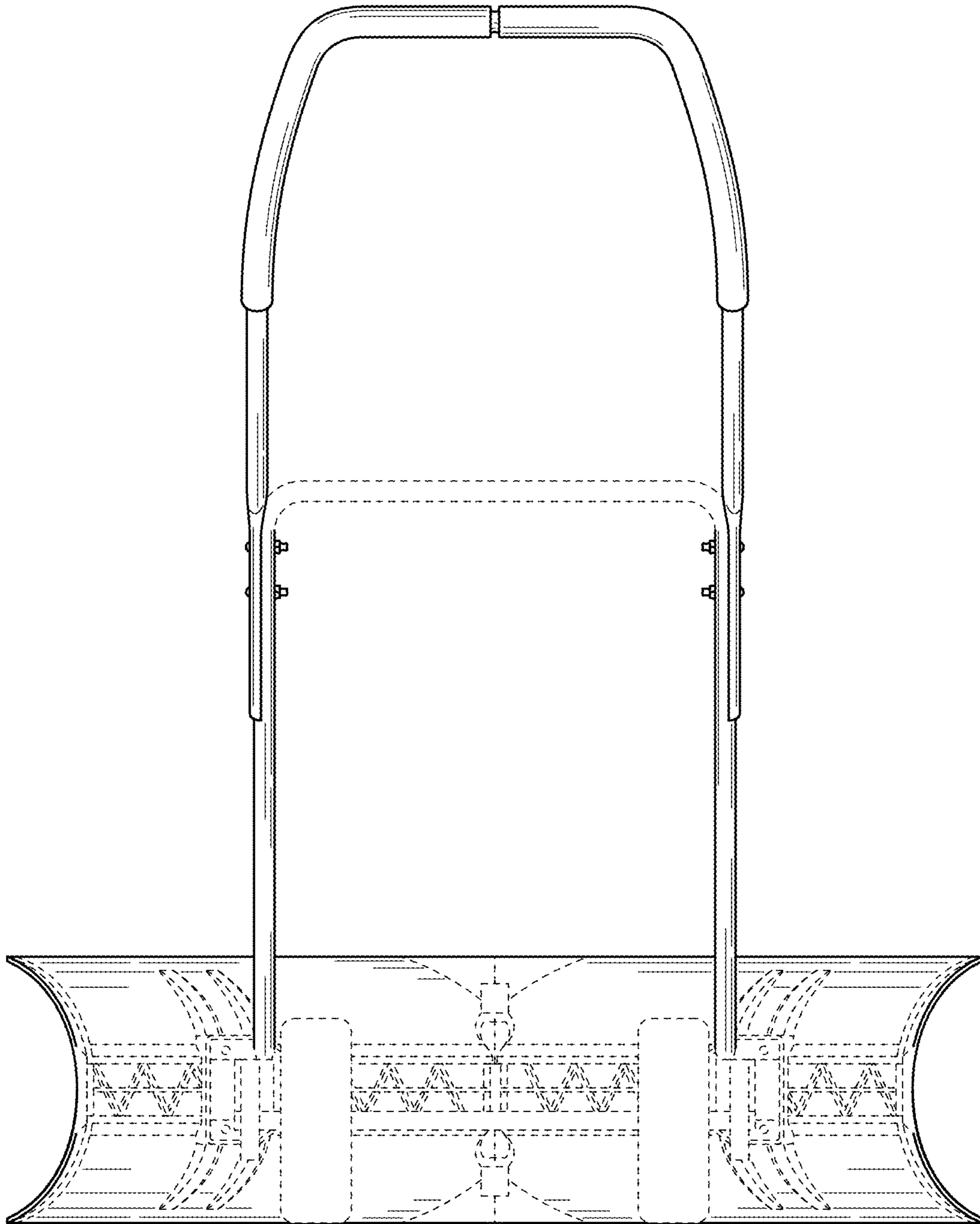


FIG. 3

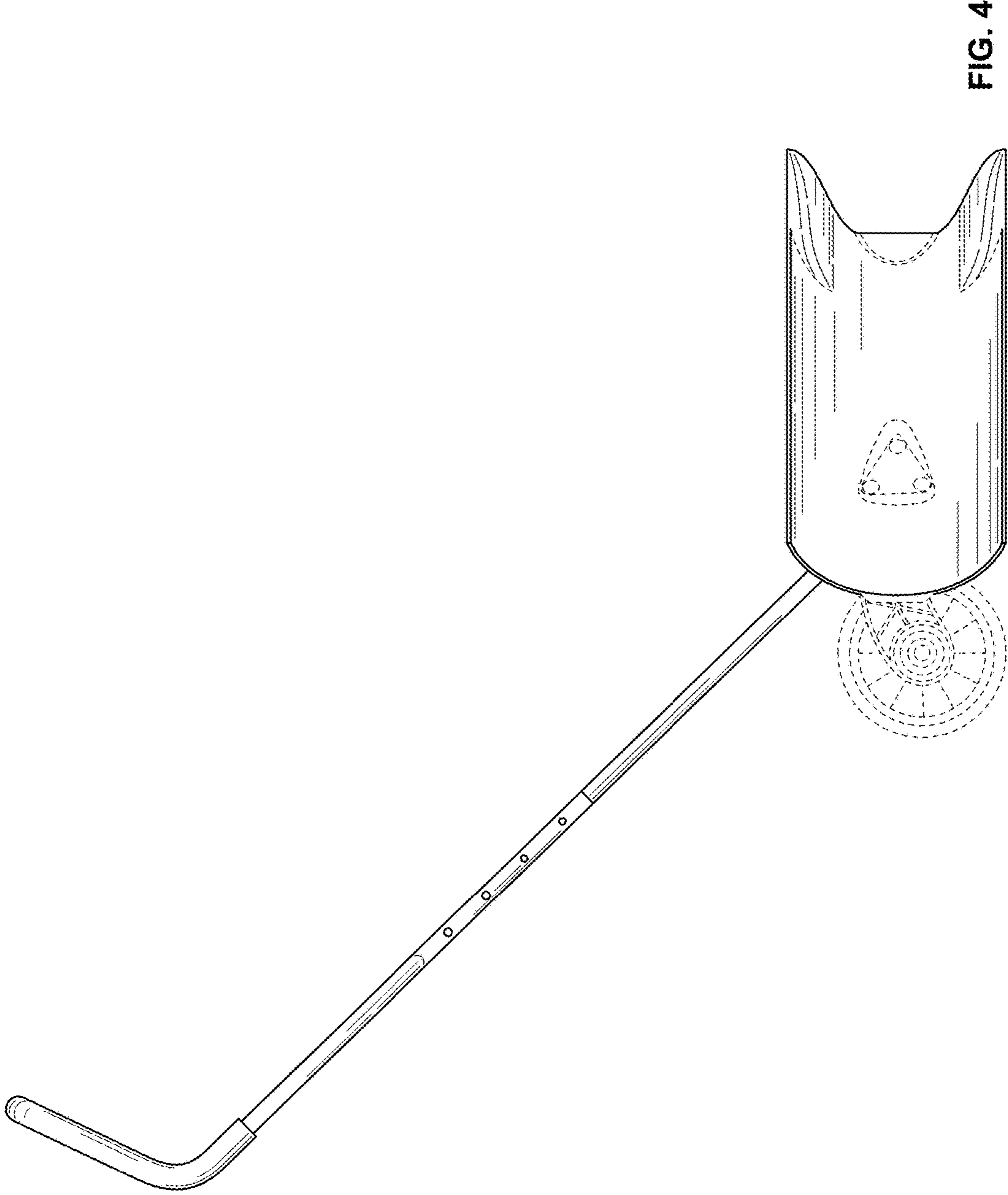


FIG. 4

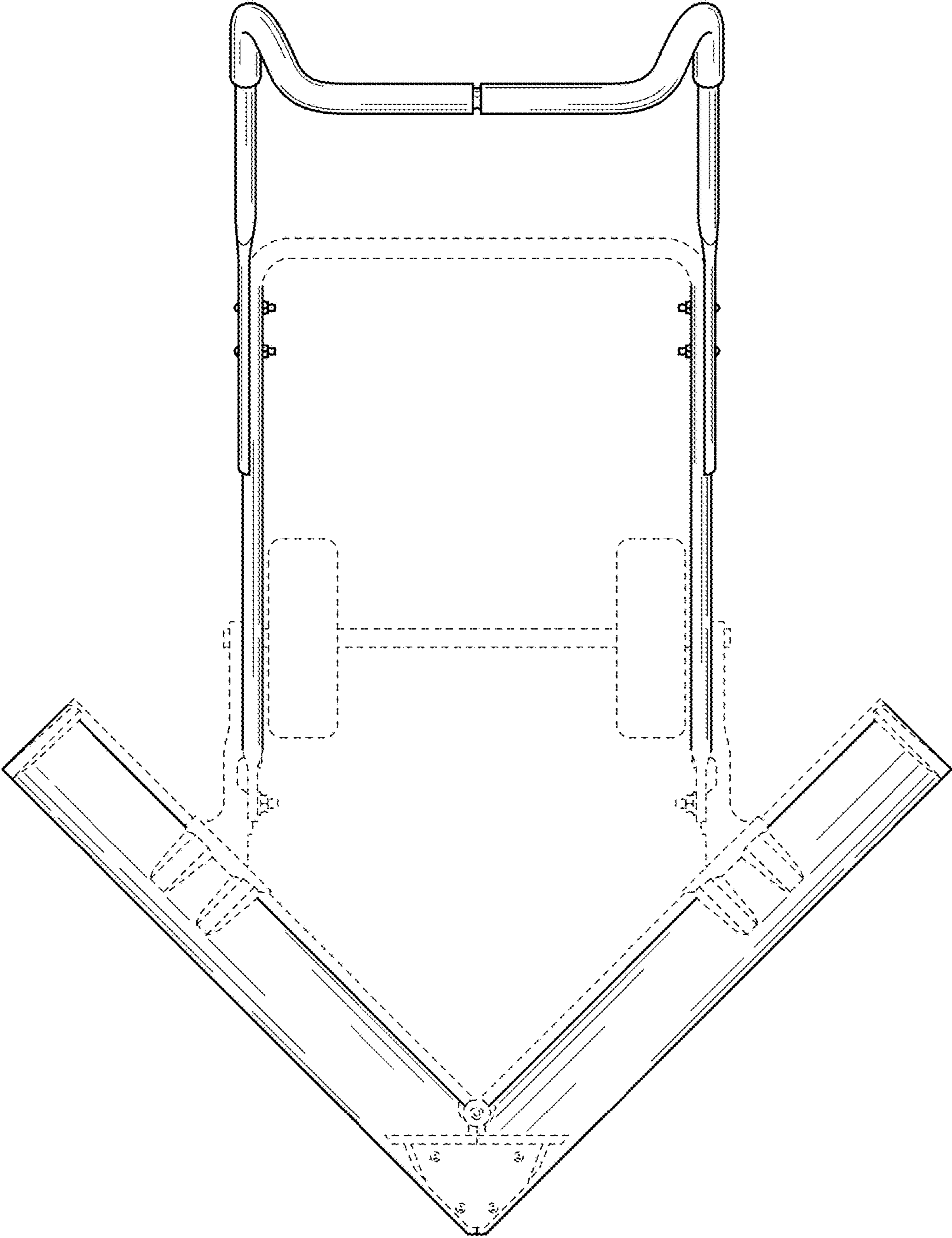


FIG. 5

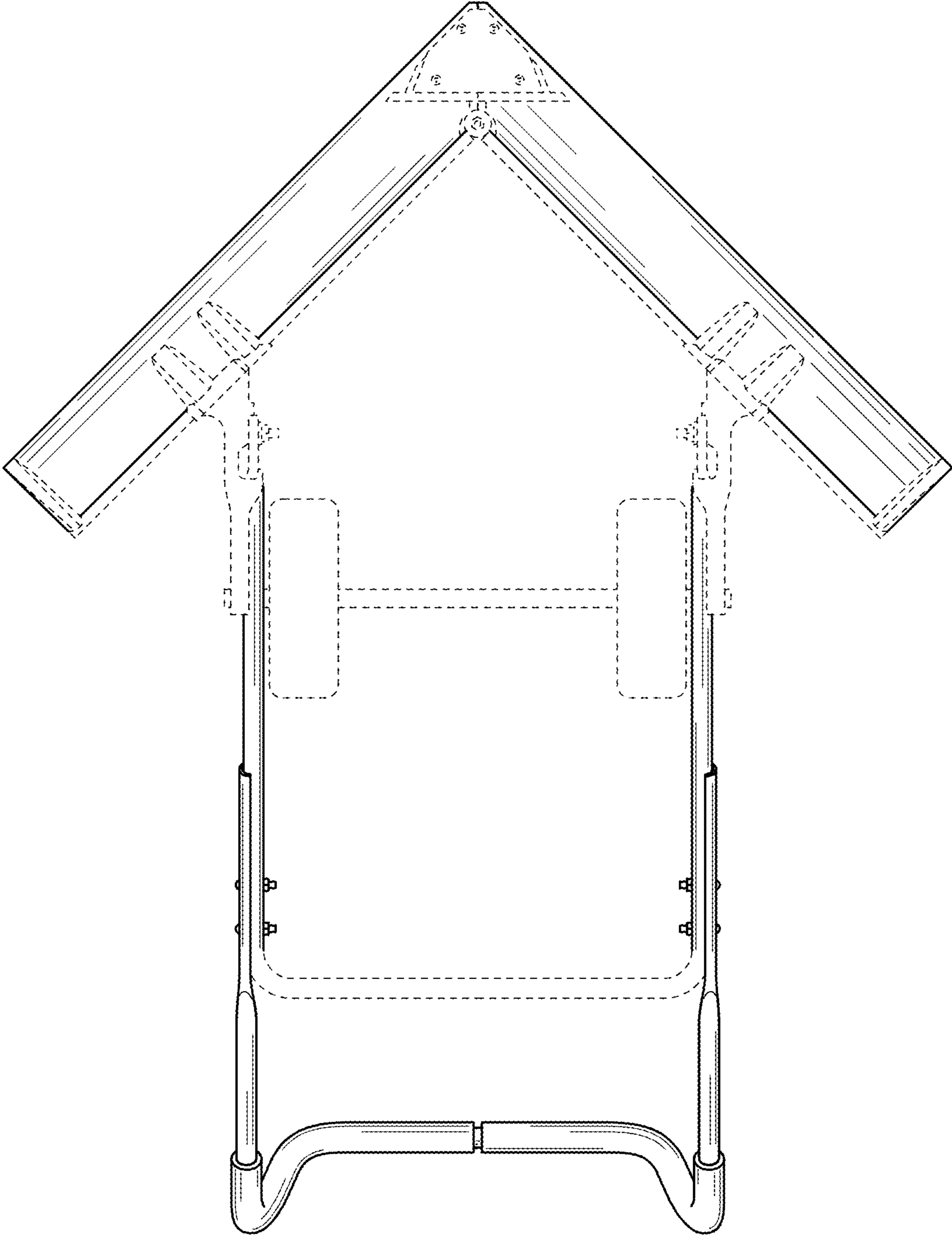


FIG. 6