



US00D784418S

(12) **United States Design Patent**
Jin

(10) **Patent No.:** **US D784,418 S**
(45) **Date of Patent:** **** Apr. 18, 2017**

(54) **WOOD CHIPPER**

D356,801 S * 3/1995 Bold D15/10
D357,259 S * 4/1995 Bold D15/10
D358,399 S * 5/1995 Tiedeman D15/10

(71) Applicant: **Yongkang Doright Industry & Trade Co., Ltd.**, Jinhua, Zhejiang (CN)

* cited by examiner

(72) Inventor: **Xuancong Jin**, Jinhua (CN)

Primary Examiner — Mark Goodwin

(73) Assignee: **Yongkang Doright Industry & Trade Co., Ltd.**, Jinhua, Zhejiang (CN)

(74) *Attorney, Agent, or Firm* — Bay State IP, LLC

(**) Term: **15 Years**

(57) **CLAIM**

(21) Appl. No.: **29/552,435**

The ornamental design for a wood chipper, as shown and described.

(22) Filed: **Jan. 22, 2016**

(51) **LOC (10) Cl.** **15-03**

(52) **U.S. Cl.**
USPC **D15/10**

DESCRIPTION

(58) **Field of Classification Search**
USPC D15/10-13; 241/37.5, 101.7,
241/186.1-186.5, 282.2; 56/13.3, 13.4,
56/15.8, 16.7, 17.1, 202, 255, 320.2
CPC B02C 18/143; B02C 18/14; B02C 18/06;
A01G 3/002; A01G 3/00
See application file for complete search history.

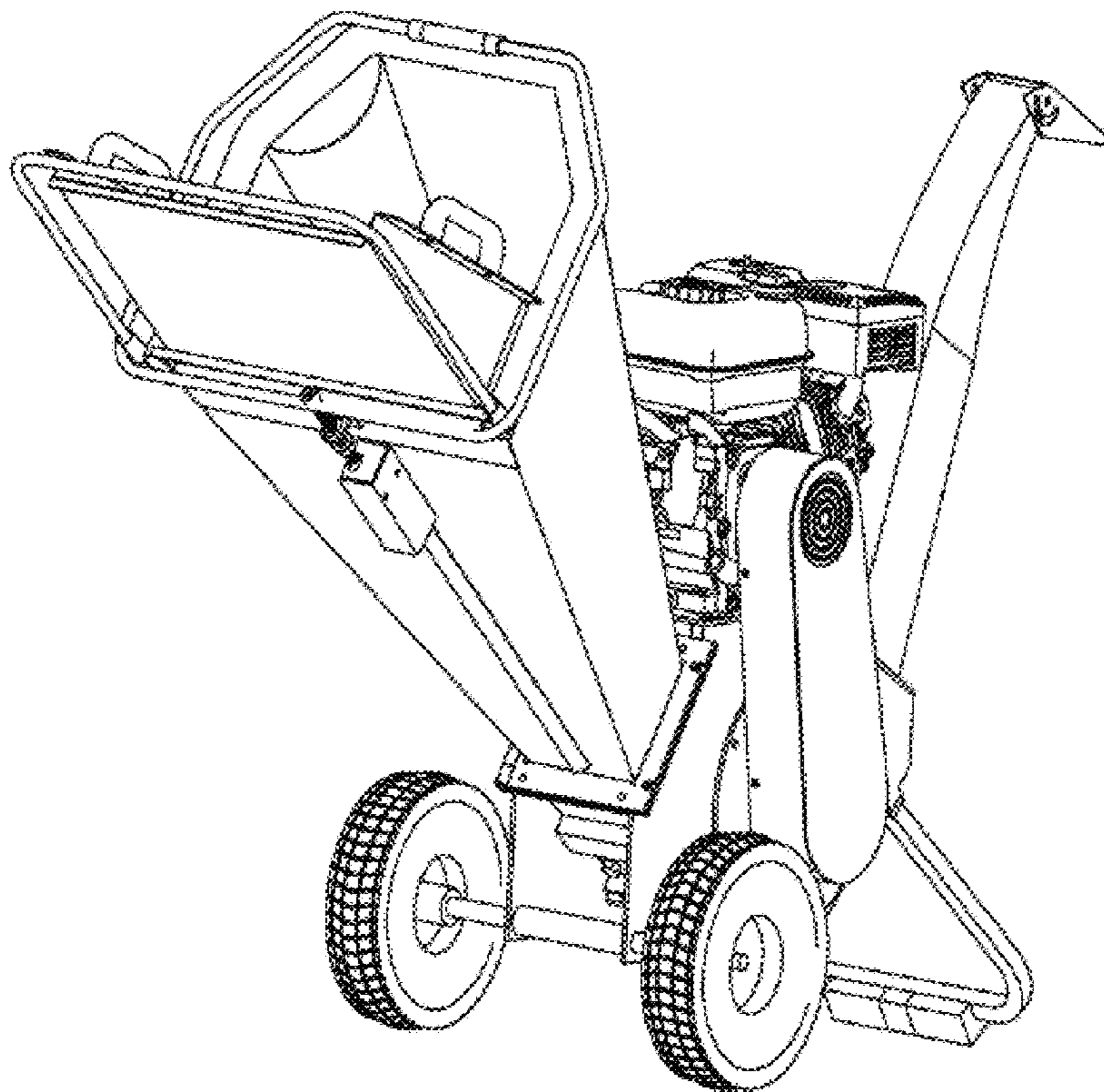
FIG. 1 is a front perspective view of a wood chipper showing my new design;
FIG. 2 is another front perspective view of the wood chipper showing my new design;
FIG. 3 is a front view thereof;
FIG. 4 is a rear view thereof;
FIG. 5 is a top view thereof;
FIG. 6 is a bottom view thereof;
FIG. 7 is a left view thereof; and,
FIG. 8 is a right view thereof.

(56) **References Cited**

U.S. PATENT DOCUMENTS

D345,983 S * 4/1994 Bold D15/10
D356,319 S * 3/1995 Bold D15/10

1 Claim, 8 Drawing Sheets



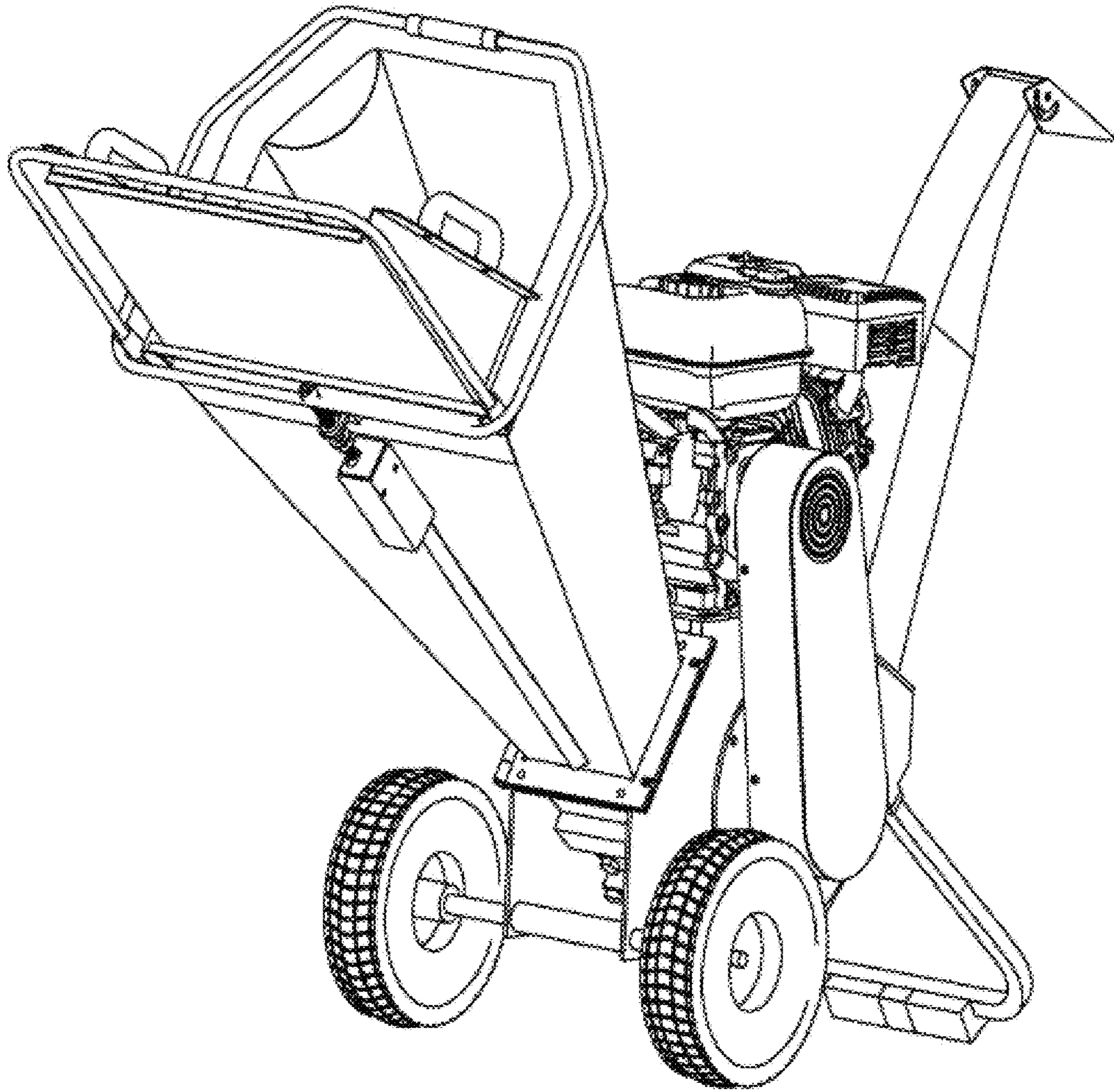


FIG. 1

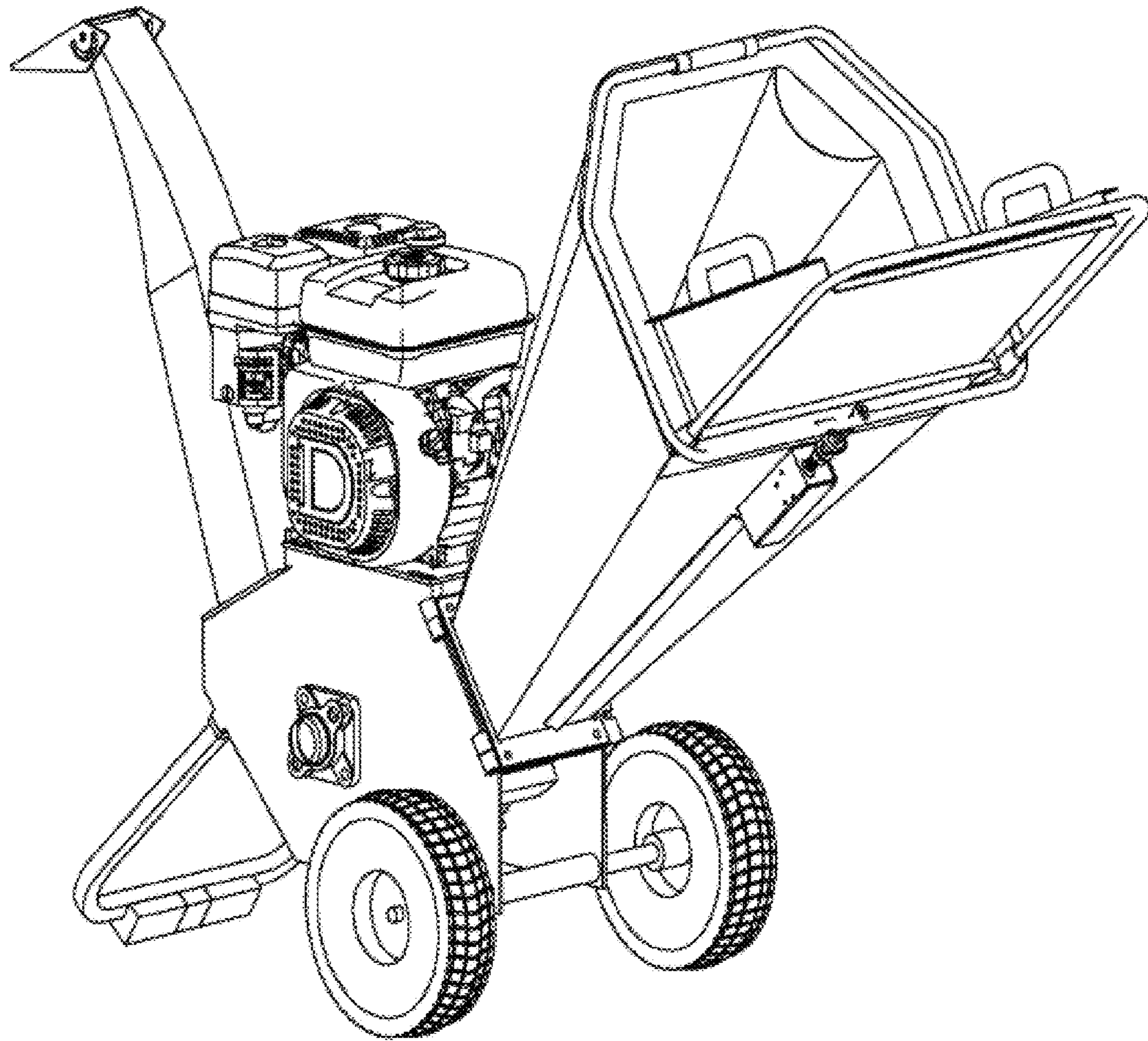


FIG. 2

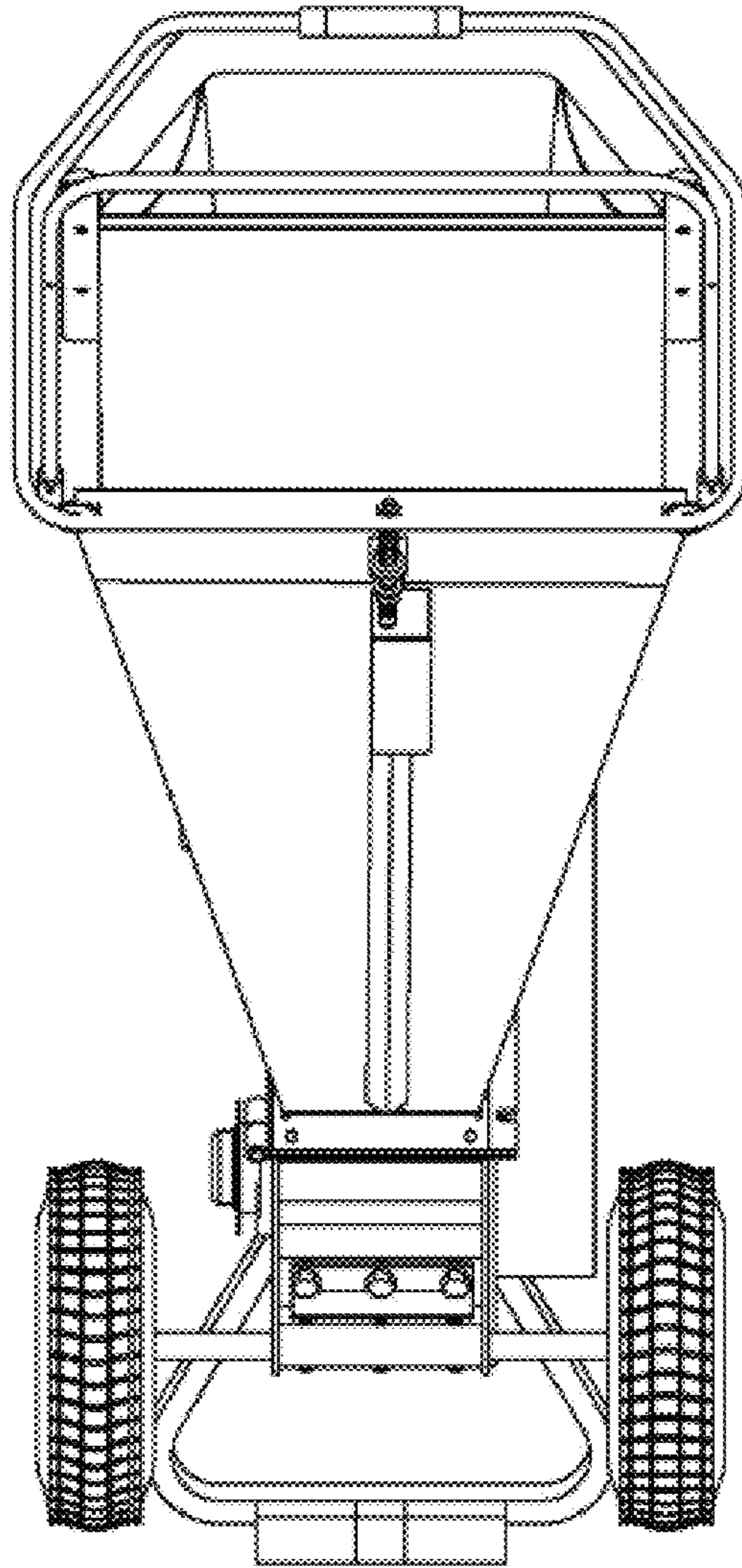


FIG. 3

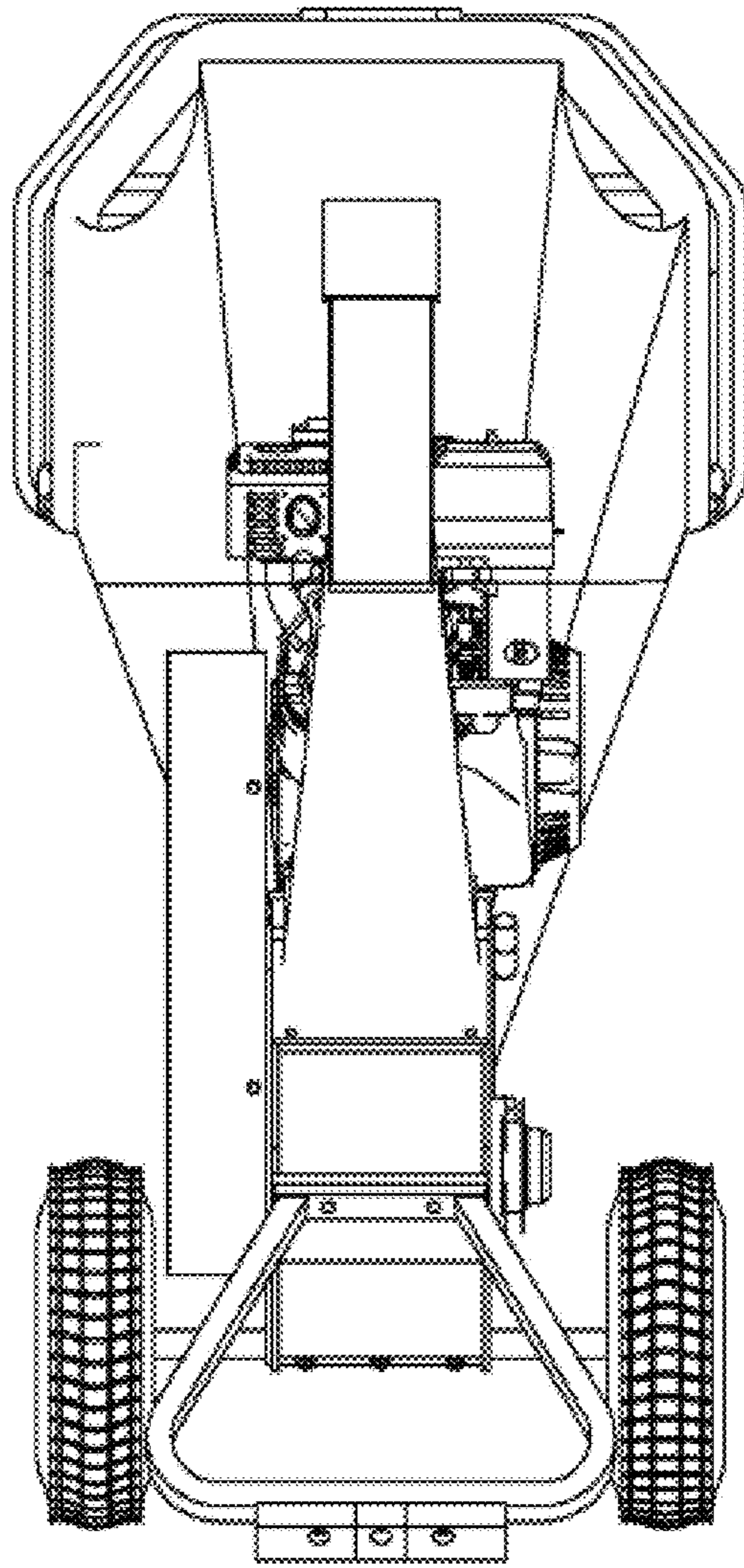


FIG. 4

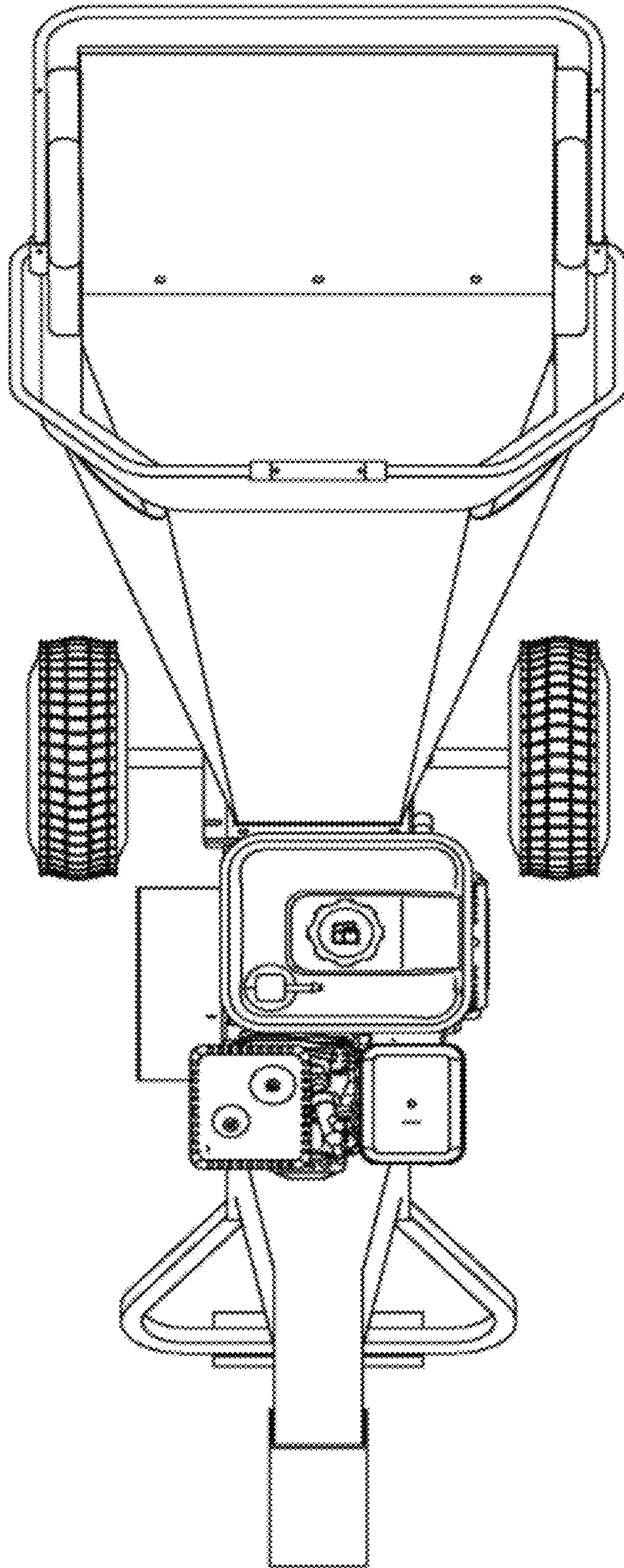


FIG. 5

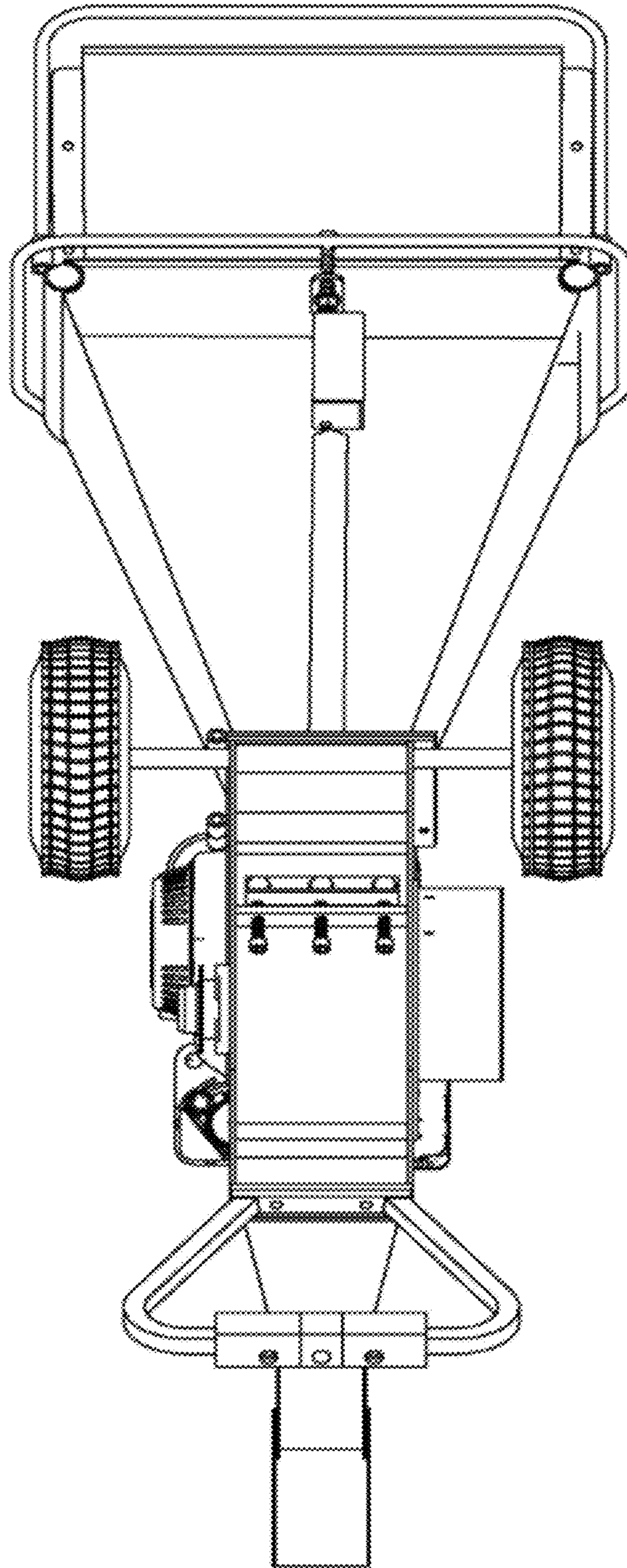


FIG. 6

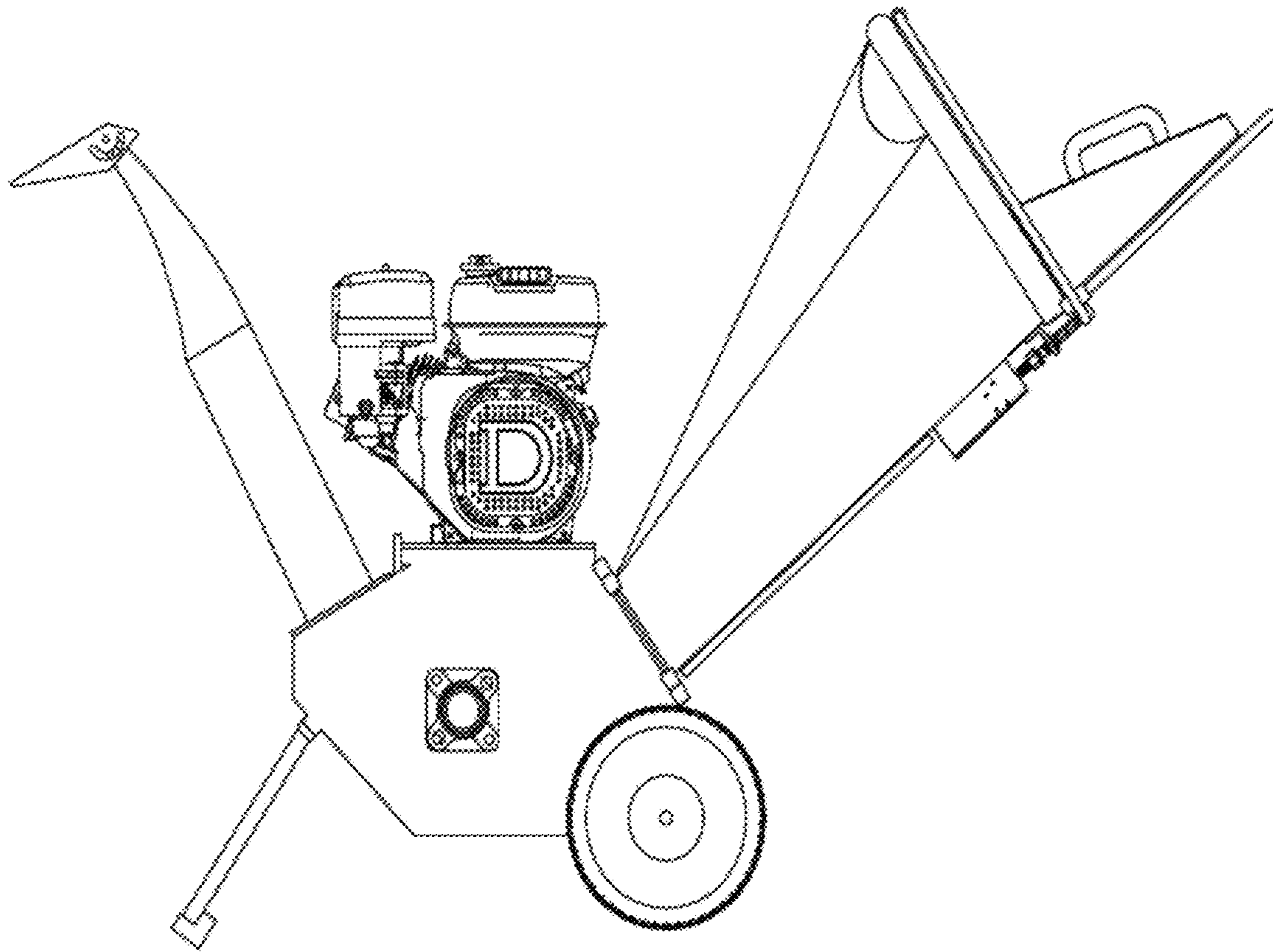


FIG. 7

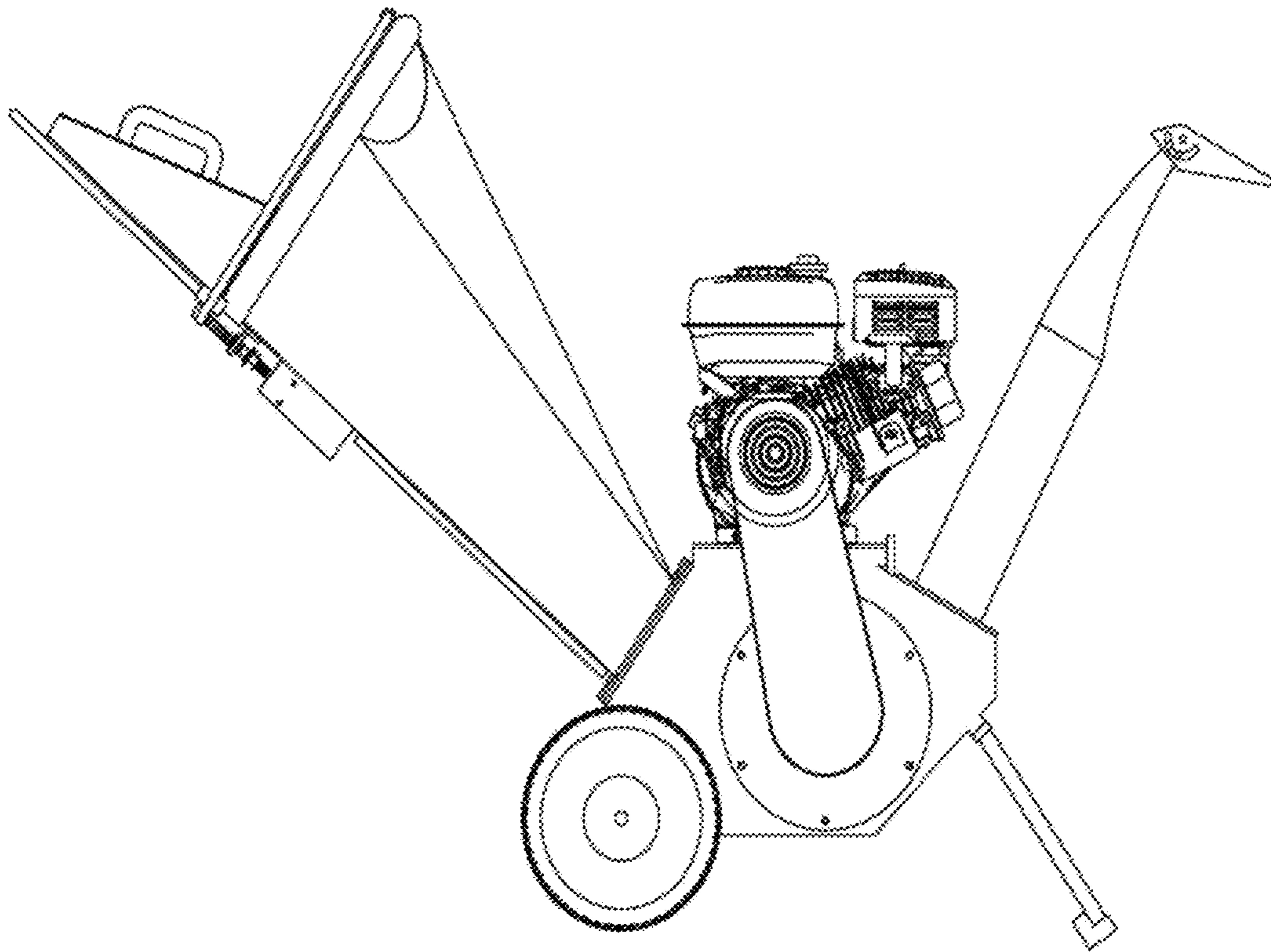


FIG. 8