



US00D784417S

(12) **United States Design Patent**
Tseng

(10) **Patent No.:** **US D784,417 S**

(45) **Date of Patent:** **** Apr. 18, 2017**

- (54) **FILLER**
- (71) Applicant: **CHUAN JIING ENTERPRISE CO., LTD.**, Taichung (TW)
- (72) Inventor: **Tien-Tsai Tseng**, Taichung (TW)
- (73) Assignee: **CHUAN JIING ENTERPRISE CO., LTD.**, Taichung (TW)
- (**) Term: **15 Years**
- (21) Appl. No.: **29/557,129**
- (22) Filed: **Mar. 16, 2016**
- (51) **LOC (10) Cl.** **15-02**
- (52) **U.S. Cl.**
USPC **D15/7**
- (58) **Field of Classification Search**
USPC D15/7-9; D23/231, 232, 225; 417/60, 417/235, 265, 321, 355, 358, 363, 359, 417/410.1, 415-416, 405, 900, 269, 539; 60/408, 412; 184/26-37; 415/140-147; 123/495, 509; 137/565.34; 604/207, 211
CPC F02M 37/04; F02M 37/14; F04B 53/92; F04B 1/005
See application file for complete search history.

- 5,168,757 A * 12/1992 Rabenau A61M 25/1018 604/100.02
- 5,713,242 A * 2/1998 Kanner F16H 25/2025 74/424.78
- D454,358 S * 3/2002 Davis D15/7
- D675,650 S * 2/2013 Champ D15/7
- D745,059 S * 12/2015 Yong D15/7
- D755,925 S * 5/2016 Park D15/7
- D759,201 S * 6/2016 Wu D15/7

* cited by examiner

Primary Examiner — Ralf Seifert

(57) **CLAIM**

I claim the ornamental design for filler, as shown and described.

DESCRIPTION

FIG. 1 is a perspective view of filler in accordance with the preferred embodiment of the present invention, showing my design;

FIG. 2 is a front view of the filler shown in FIG. 1;

FIG. 3 is a rear view of the filler shown in FIG. 1;

FIG. 4 is a left side view of the filler shown in FIG. 1;

FIG. 5 is a right side view of the filler shown in FIG. 1;

FIG. 6 is a top view of the filler shown in FIG. 1; and

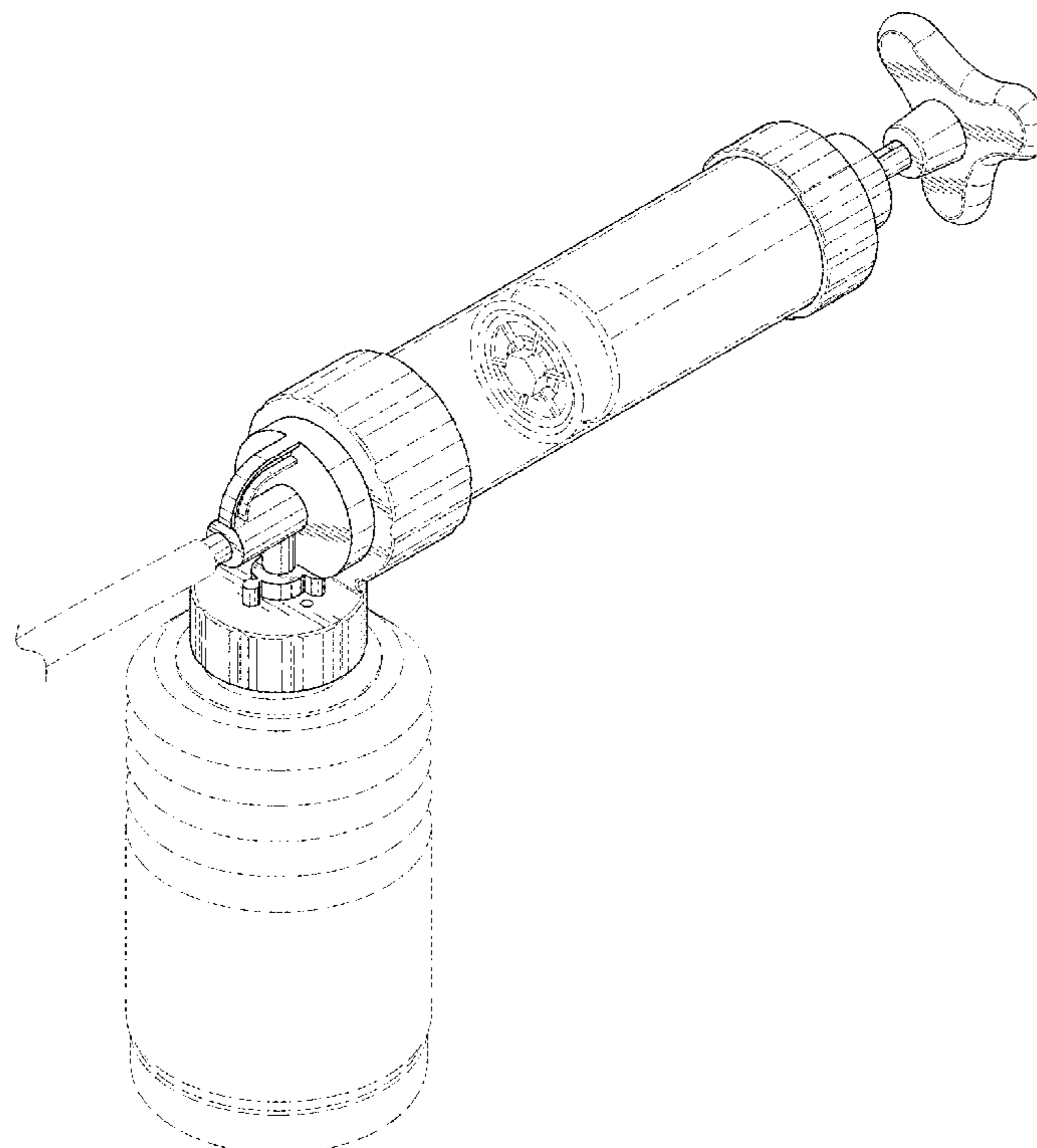
FIG. 7 is a bottom view of the filler shown in FIG. 1; and,

FIG. 8 is perspective view of filler showing my new design in environmental use.

The broken lines shown represent unclaimed subject matter and form no part of the claimed design.

1 Claim, 8 Drawing Sheets

- (56) **References Cited**
U.S. PATENT DOCUMENTS
4,723,938 A * 2/1988 Goodin A61M 25/1018 604/108
D296,103 S * 6/1988 Harvey D15/7



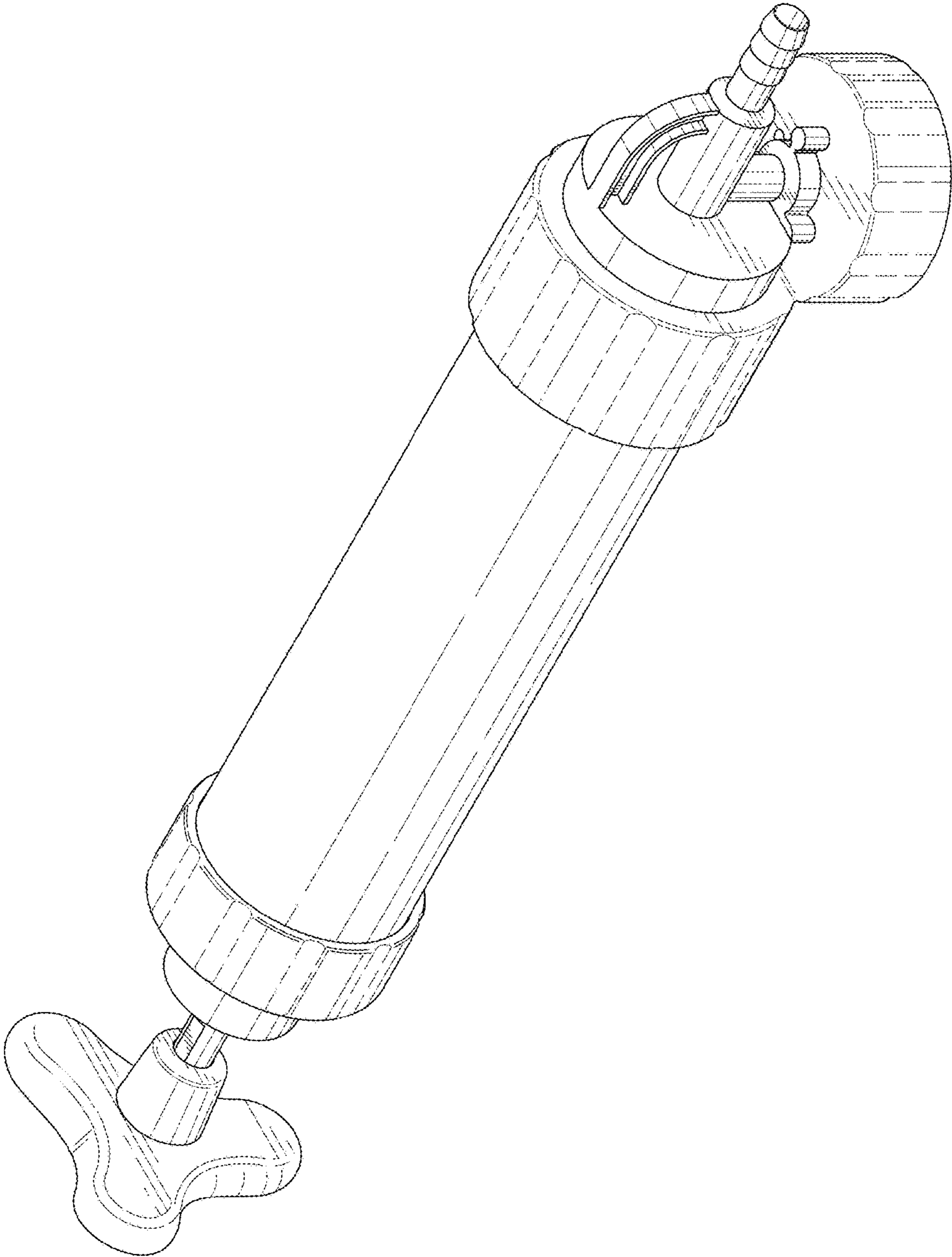


FIG. 1

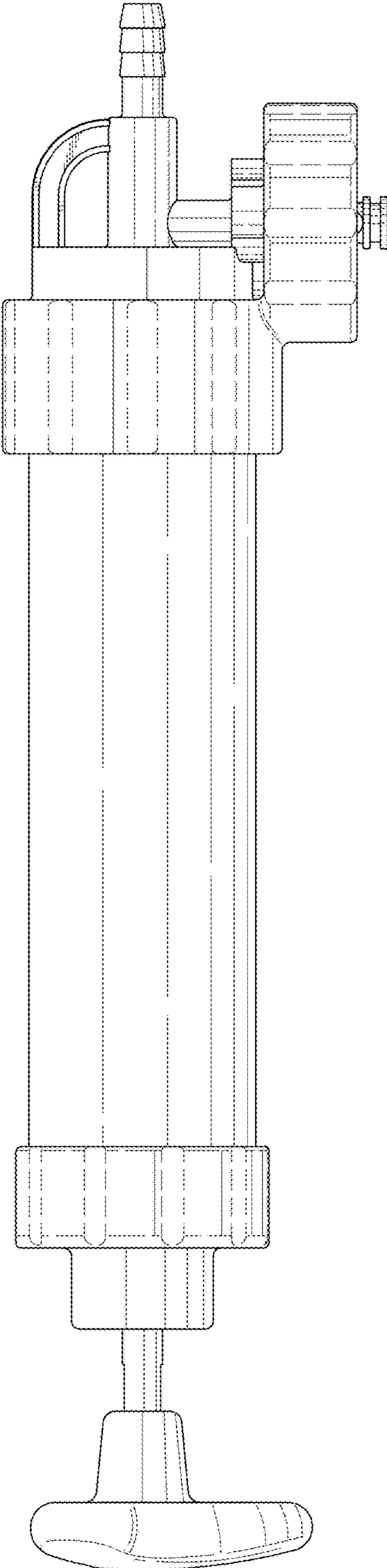


FIG. 2

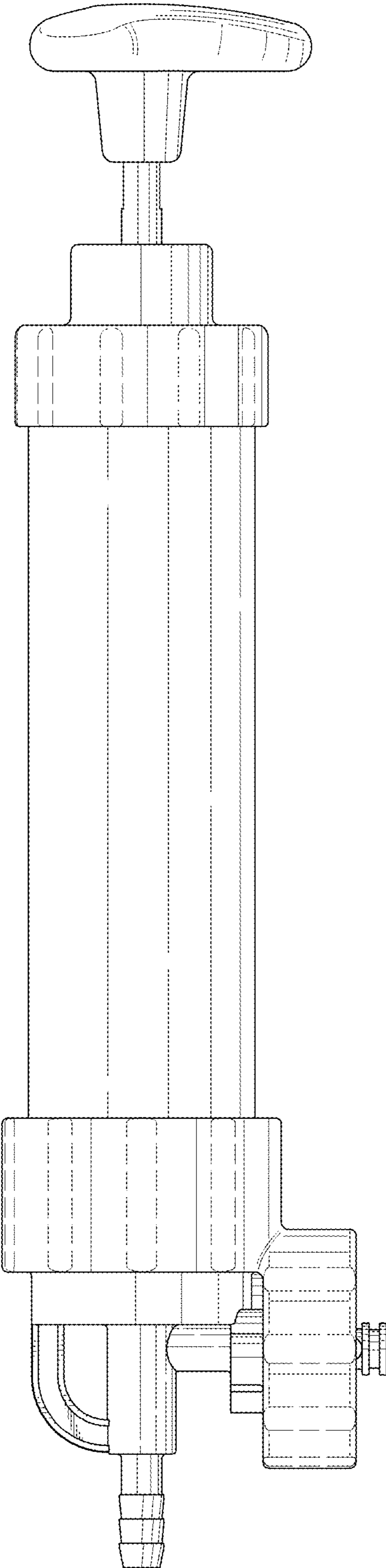


FIG. 3

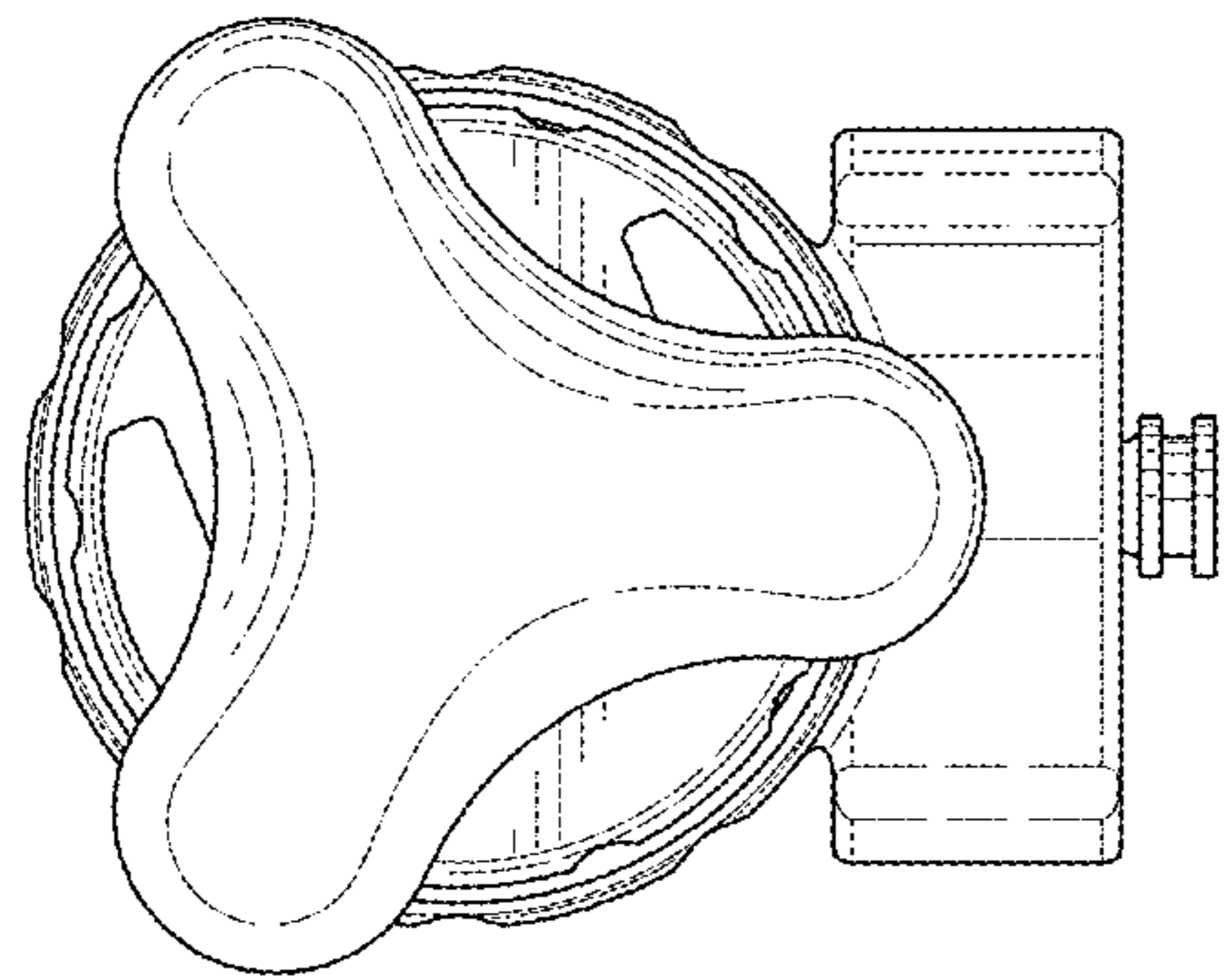


FIG. 4

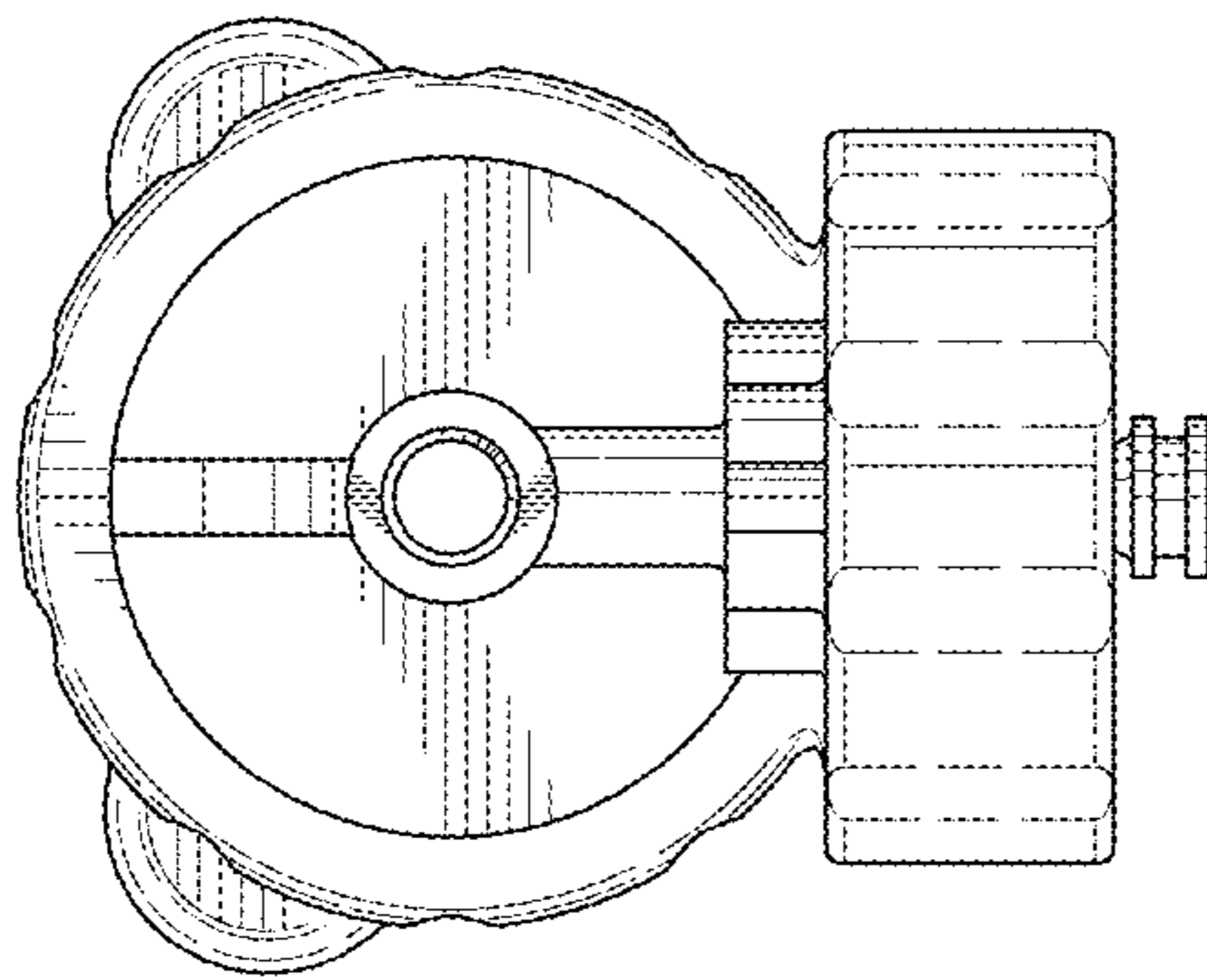


FIG. 5

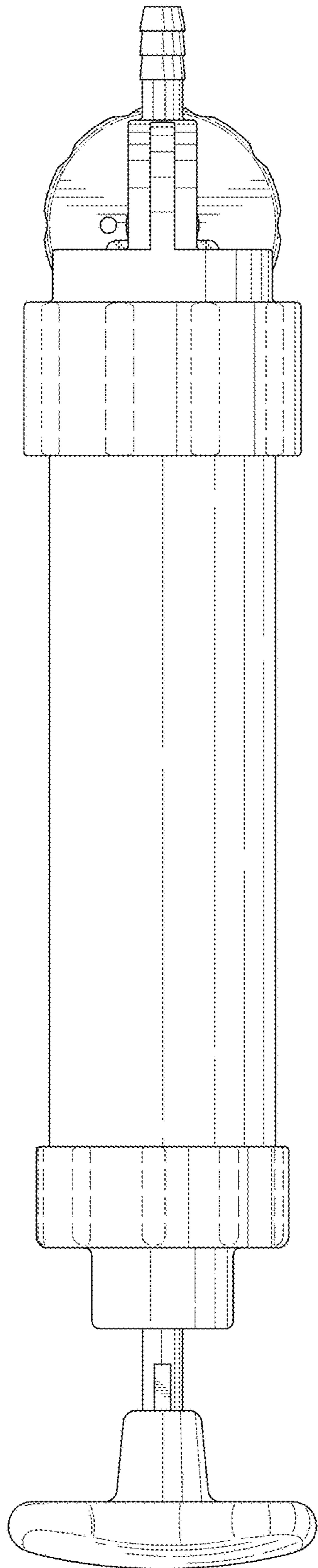


FIG. 6

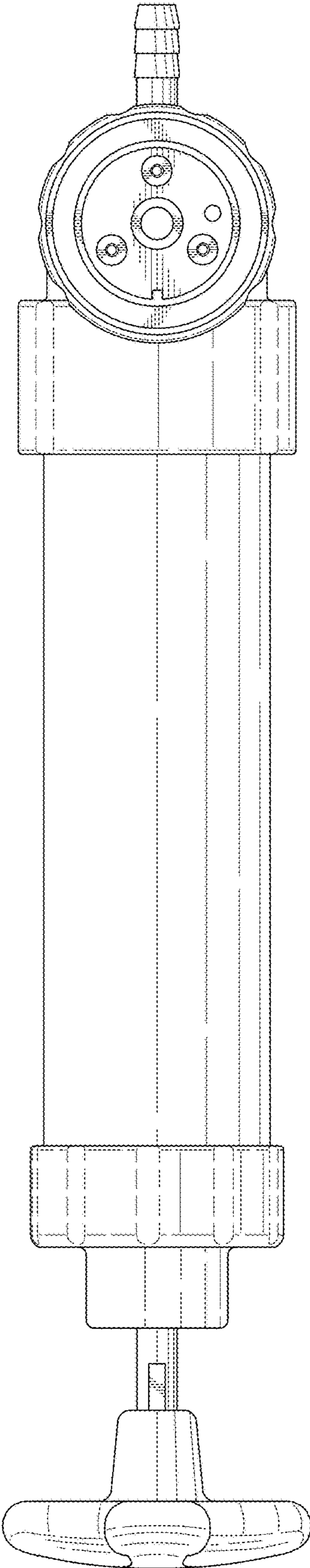


FIG. 7

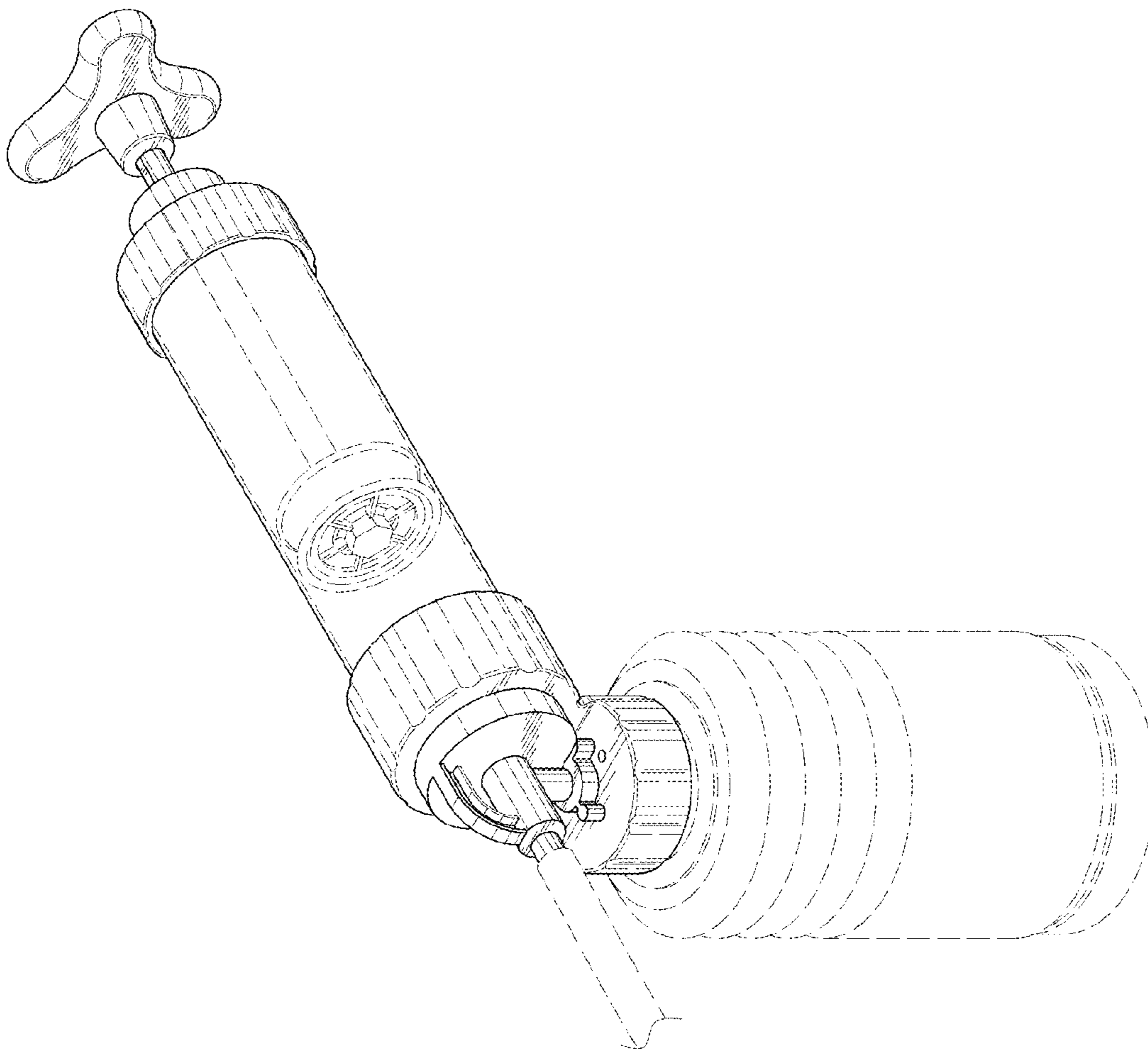


FIG. 8