



US00D784415S

(12) **United States Design Patent**
Chen

(10) **Patent No.:** **US D784,415 S**

(45) **Date of Patent:** **** Apr. 18, 2017**

(54) **ROTARY DRUM PUMP**

(71) Applicant: **Chun-Sheng Chen**, Taichung (TW)

(72) Inventor: **Chun-Sheng Chen**, Taichung (TW)

(**) Term: **15 Years**

(21) Appl. No.: **29/545,470**

(22) Filed: **Nov. 13, 2015**

(51) **LOC (10) Cl.** **15-02**

(52) **U.S. Cl.**
USPC **D15/7**

(58) **Field of Classification Search**
USPC D15/7-9; D23/231, 232, 225; 417/60,
417/235, 265, 321, 355, 358, 363, 359,
417/410.1, 415-416, 405, 900; 60/408,
60/412; 184/26-37; 415/140-147;
123/495, 509; 137/565.34
CPC F02M 37/04; F02M 37/14
See application file for complete search history.

(56) **References Cited**

U.S. PATENT DOCUMENTS

- D280,992 S * 10/1985 Maruyama D15/7
- D295,522 S * 5/1988 Martin D15/7
- D555,669 S * 11/2007 Preston D15/7
- D557,709 S * 12/2007 Preston D15/7

- D723,587 S * 3/2015 Park D15/7
- D771,715 S * 11/2016 Varini D15/7
- D771,716 S * 11/2016 Varini D15/7
- D771,717 S * 11/2016 Varini D15/7

* cited by examiner

Primary Examiner — Ralf Seifert

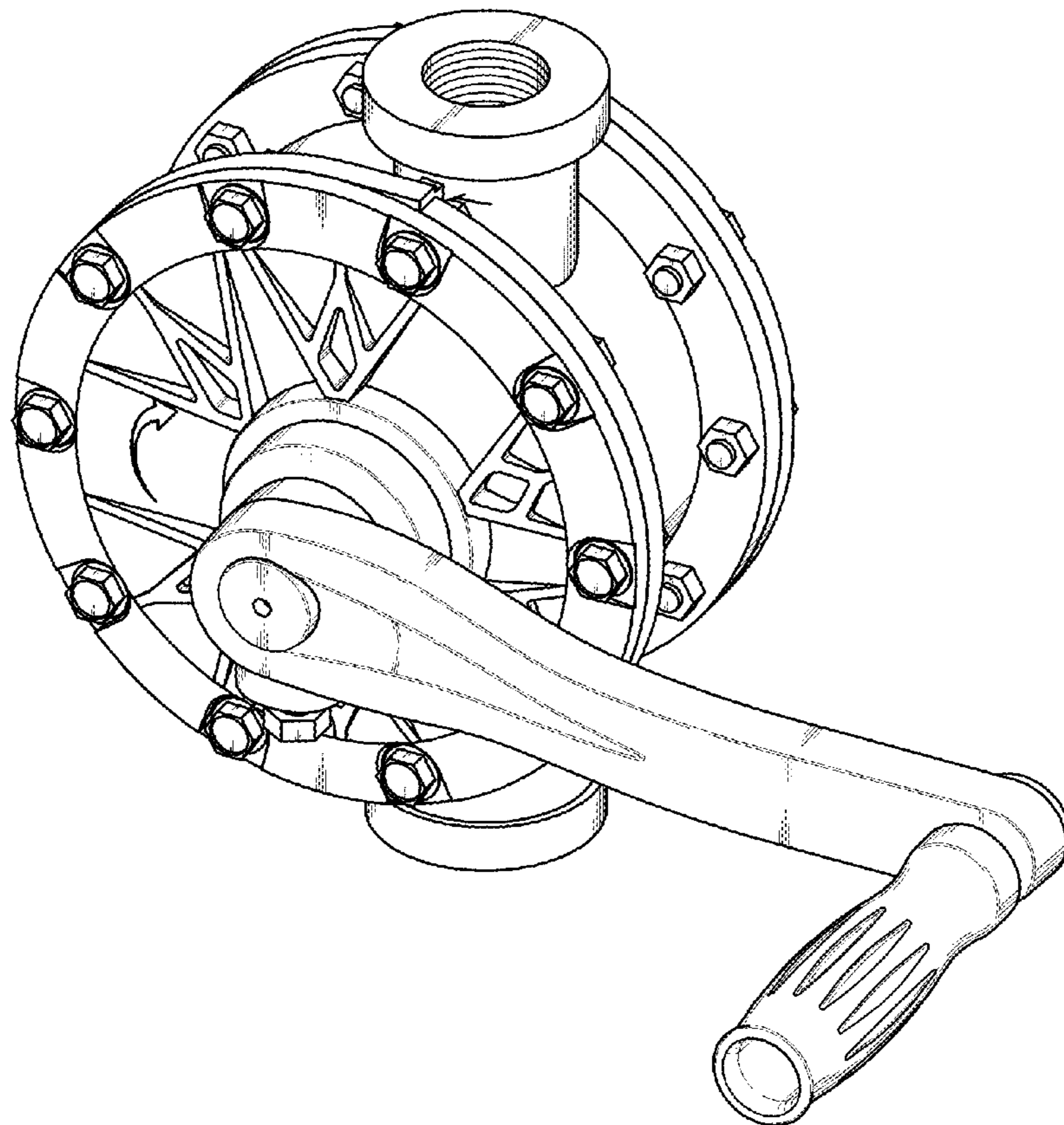
(57) **CLAIM**

The ornamental design for a rotary drum pump, as shown and described.

DESCRIPTION

FIG. 1 is a perspective view of a rotary drum pump showing my new design;
 FIG. 2 is a front view thereof;
 FIG. 3 is a rear view thereof;
 FIG. 4 is a left side view thereof;
 FIG. 5 is a right side view thereof;
 FIG. 6 is a top plan view thereof;
 FIG. 7 is a bottom plan view thereof; and,
 FIG. 8 is an alternate perspective view thereof showing my new design in an exemplary environment.
 The broken lines showing of the pipe in FIG. 8 illustrate the environment of the claimed design and form no part of the claimed design.

1 Claim, 8 Drawing Sheets



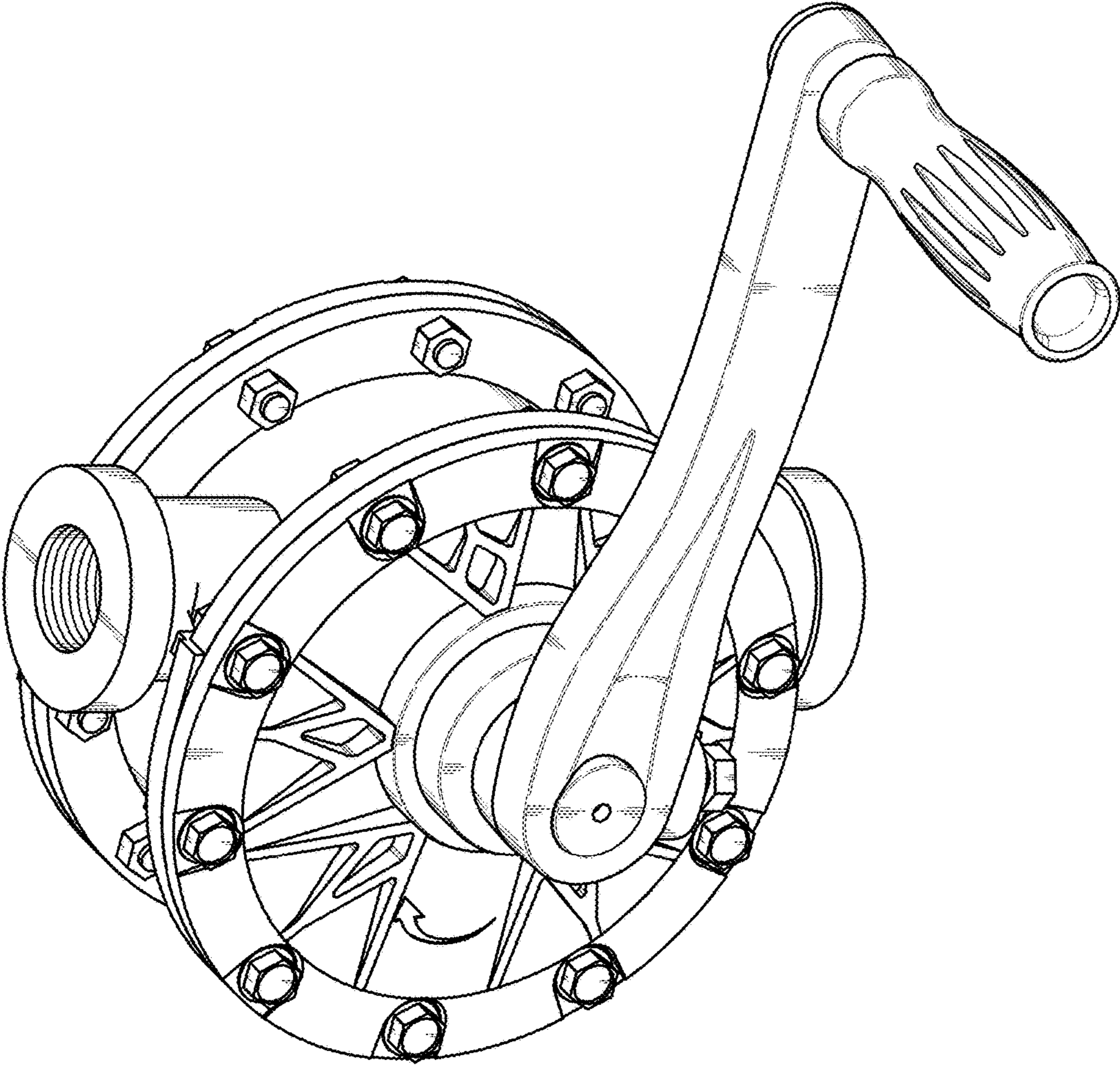


FIG.1

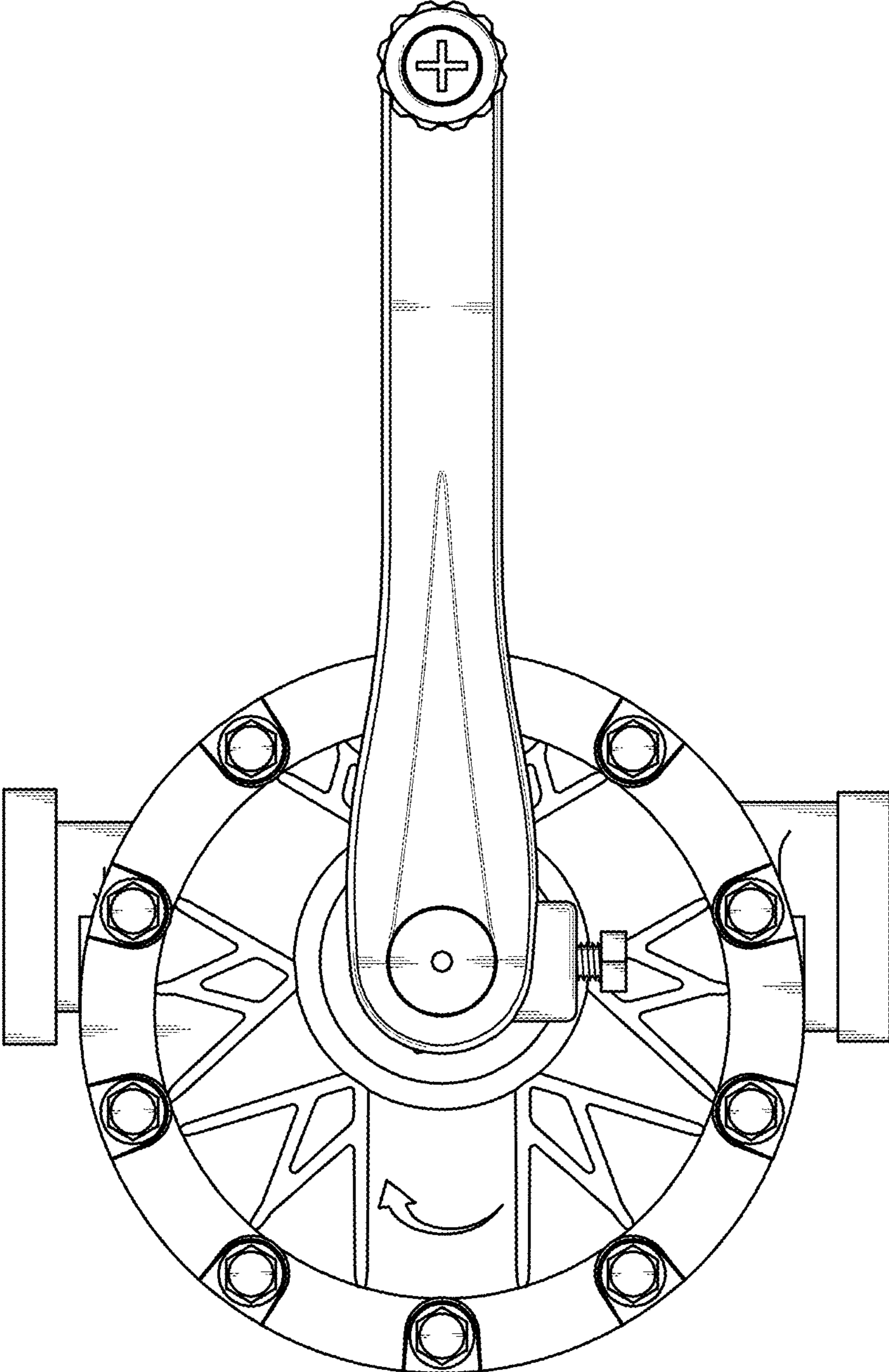


FIG.2

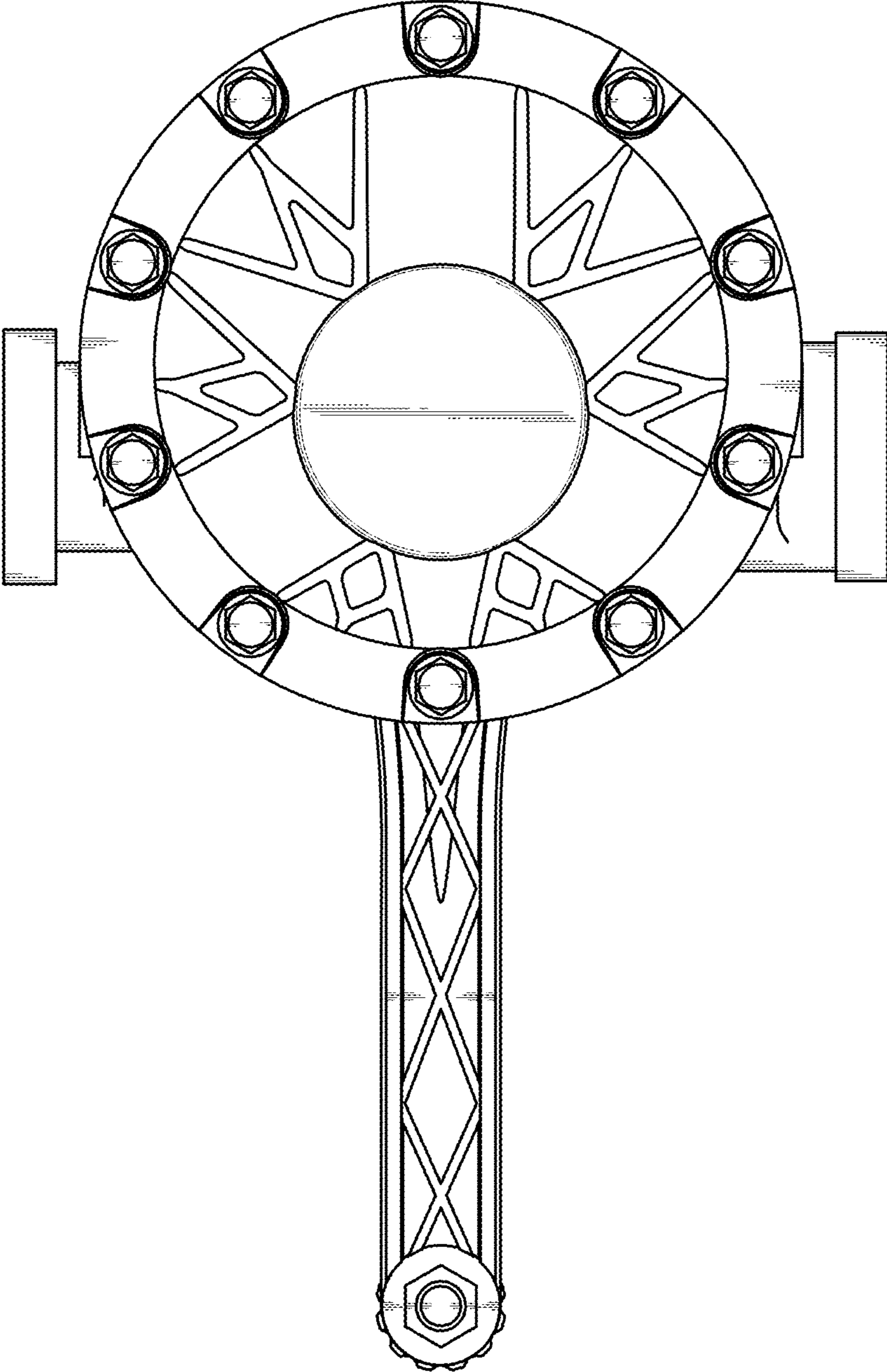


FIG.3

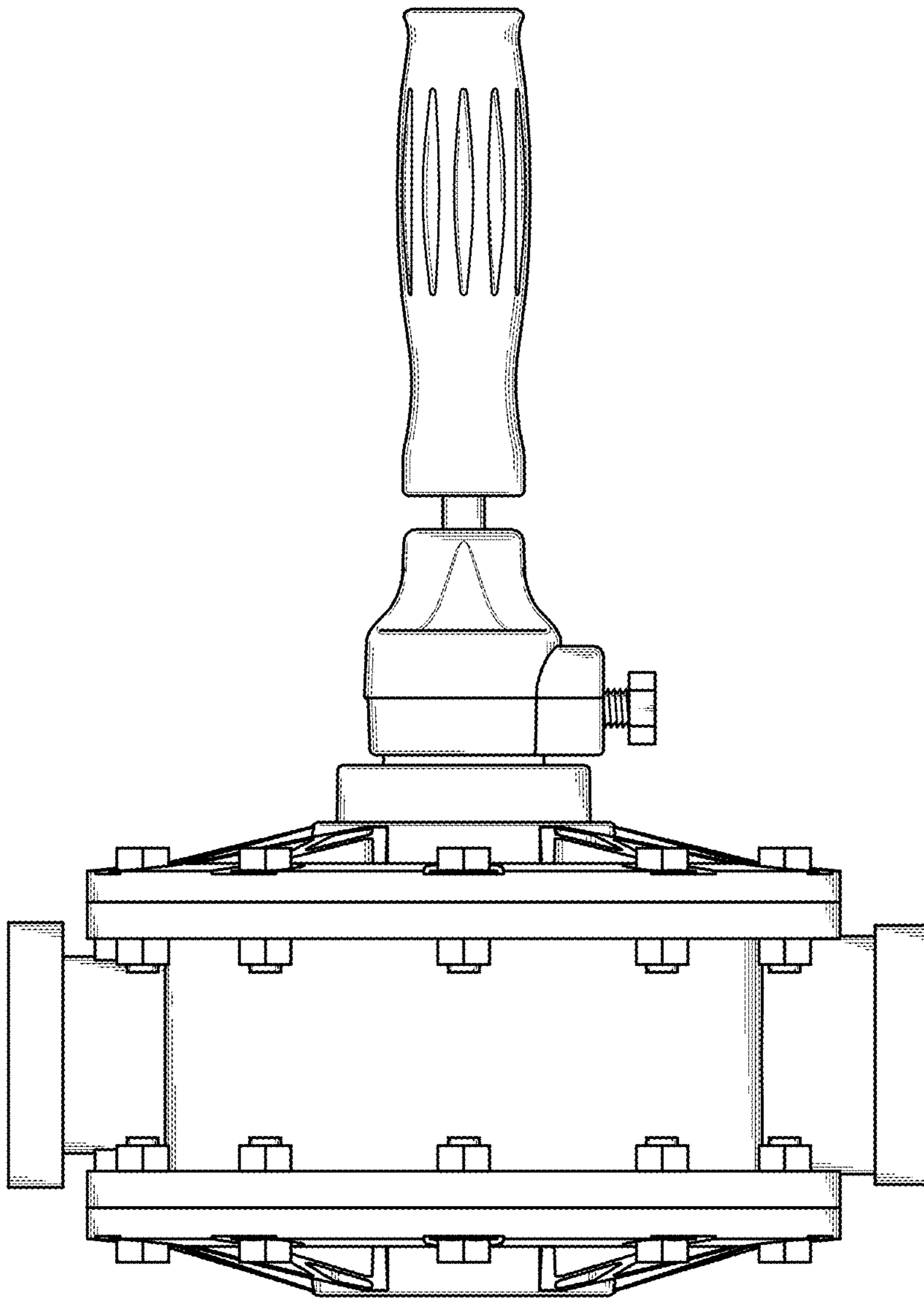


FIG.4

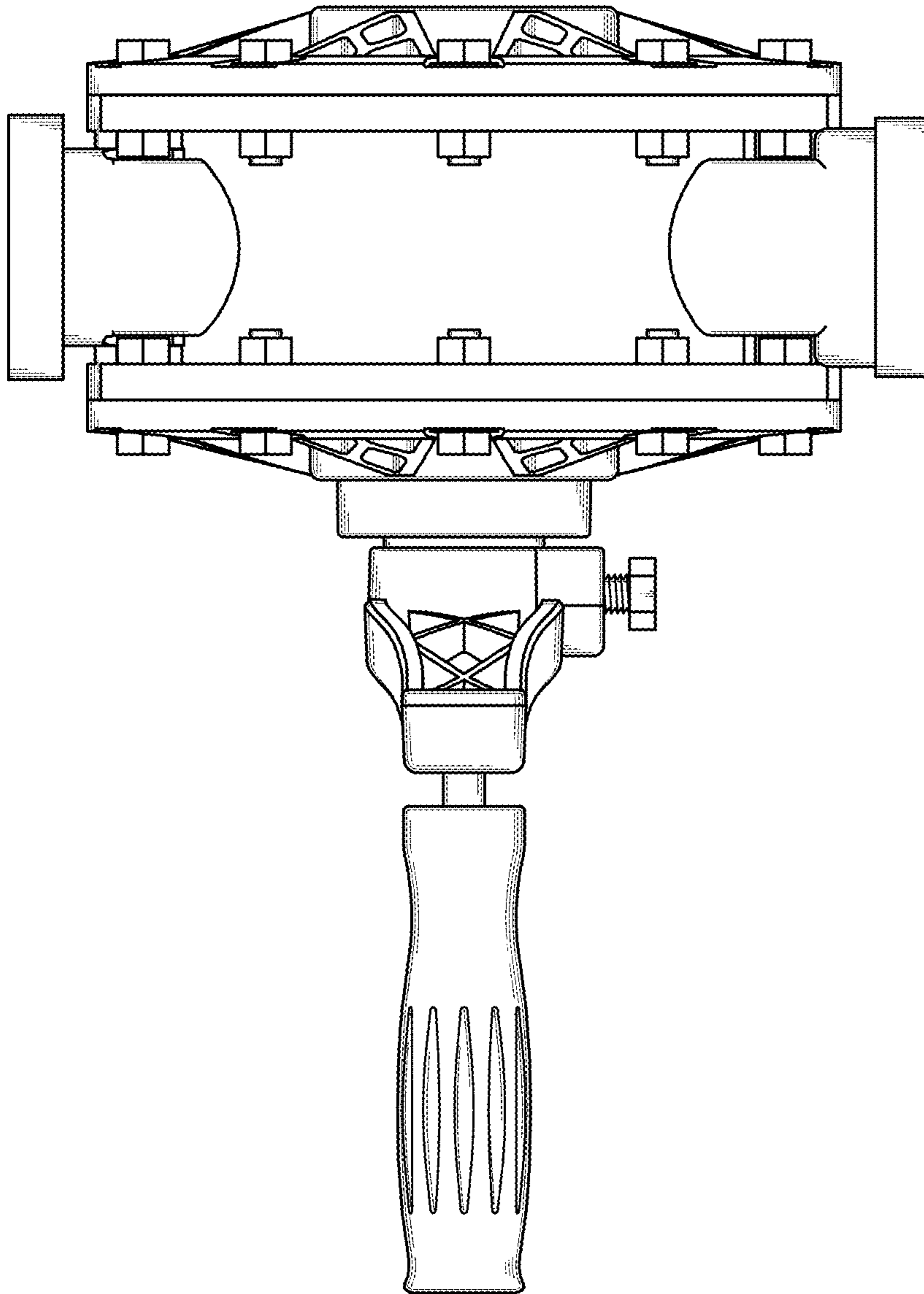


FIG.5

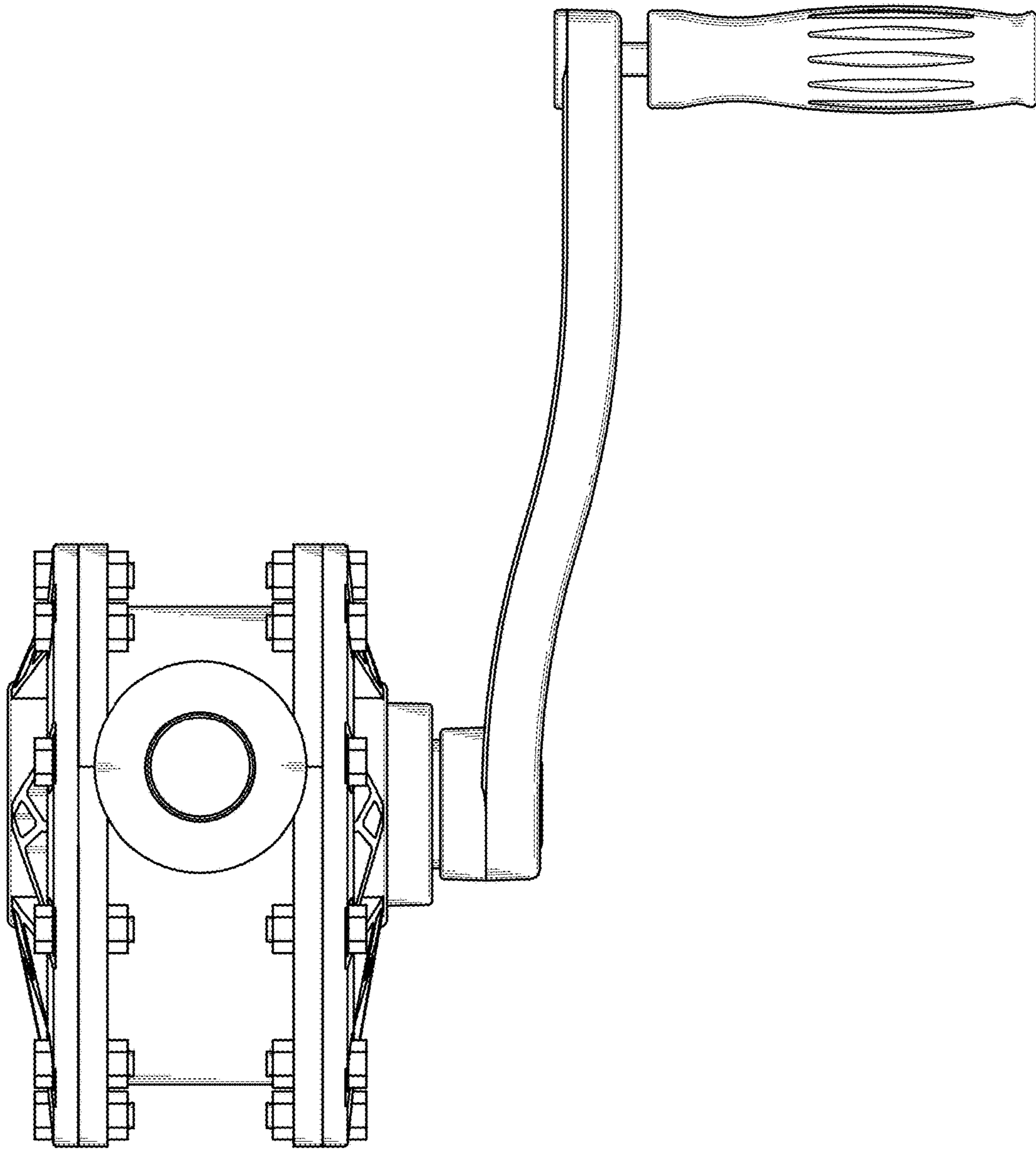


FIG.6

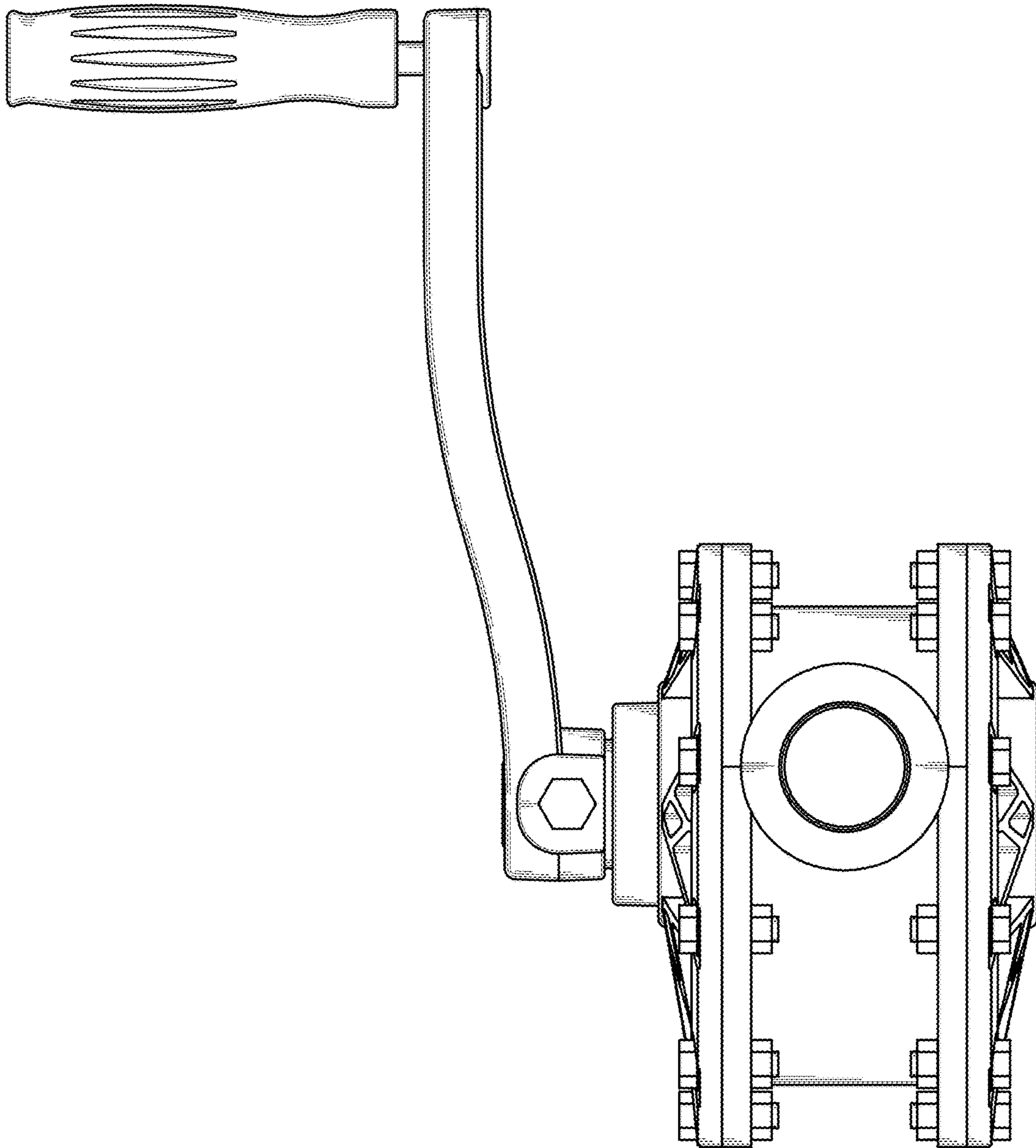


FIG.7

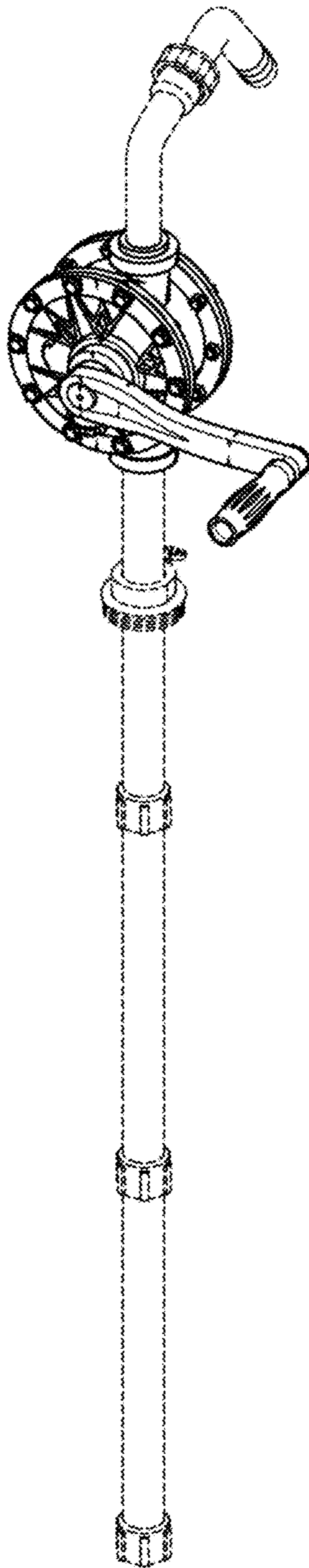


FIG.8