



US00D784414S

(12) **United States Design Patent**
Schrum et al.

(10) **Patent No.:** **US D784,414 S**
(45) **Date of Patent:** **** Apr. 18, 2017**

- (54) **PORTABLE PUMP ASSEMBLY**
- (71) Applicants: **Phillip B. Schrum**, Clairton, PA (US);
Mark A. Verosky, Elizabeth, PA (US);
David J. Krygowski, North
Huntingdon, PA (US)
- (72) Inventors: **Phillip B. Schrum**, Clairton, PA (US);
Mark A. Verosky, Elizabeth, PA (US);
David J. Krygowski, North
Huntingdon, PA (US)
- (73) Assignee: **Forefront Product Design, LLC**, East
Pittsburgh, PA (US)

4,925,105 A * 5/1990 Lin B05B 9/0861
222/175
5,119,993 A * 6/1992 Gunzel, Jr. A01C 15/02
239/600
6,145,711 A * 11/2000 Prosper B05B 9/0805
222/401
D696,694 S * 12/2013 Fulkerson D15/7
8,672,364 B2 * 3/2014 Schrum B05B 9/0406
137/493.8
D712,933 S * 9/2014 Deoreo D15/7
8,985,482 B1 * 3/2015 Schrum B05B 9/0406
222/333
D729,279 S * 5/2015 Fulkerson D15/7
D743,444 S * 11/2015 Walsh D15/7

* cited by examiner

(**) Term: **15 Years**

Primary Examiner — Ralf Seifert

(21) Appl. No.: **29/543,017**

(74) *Attorney, Agent, or Firm* — Cohen & Grigsby, P.C.

(22) Filed: **Oct. 20, 2015**

(57) **CLAIM**

(51) **LOC (10) Cl.** **15-02**

An ornamental design for a portable pump assembly, as shown and described in the drawings.

(52) **U.S. Cl.**
USPC **D15/7**

(58) **Field of Classification Search**
USPC D15/7-9; D23/231, 232, 225; 417/60,
417/235, 265, 321, 355, 358, 363, 359,
417/410.1, 415-416, 405, 900, 269, 539;
60/408, 412; 184/26-37; 415/140-147;
123/495, 509; 137/565.34; 222/175,
222/401; 239/333, 600
CPC F02M 37/04; F02M 37/14; F04B 53/92;
F04B 1/005; B05B 9/0861
See application file for complete search history.

DESCRIPTION

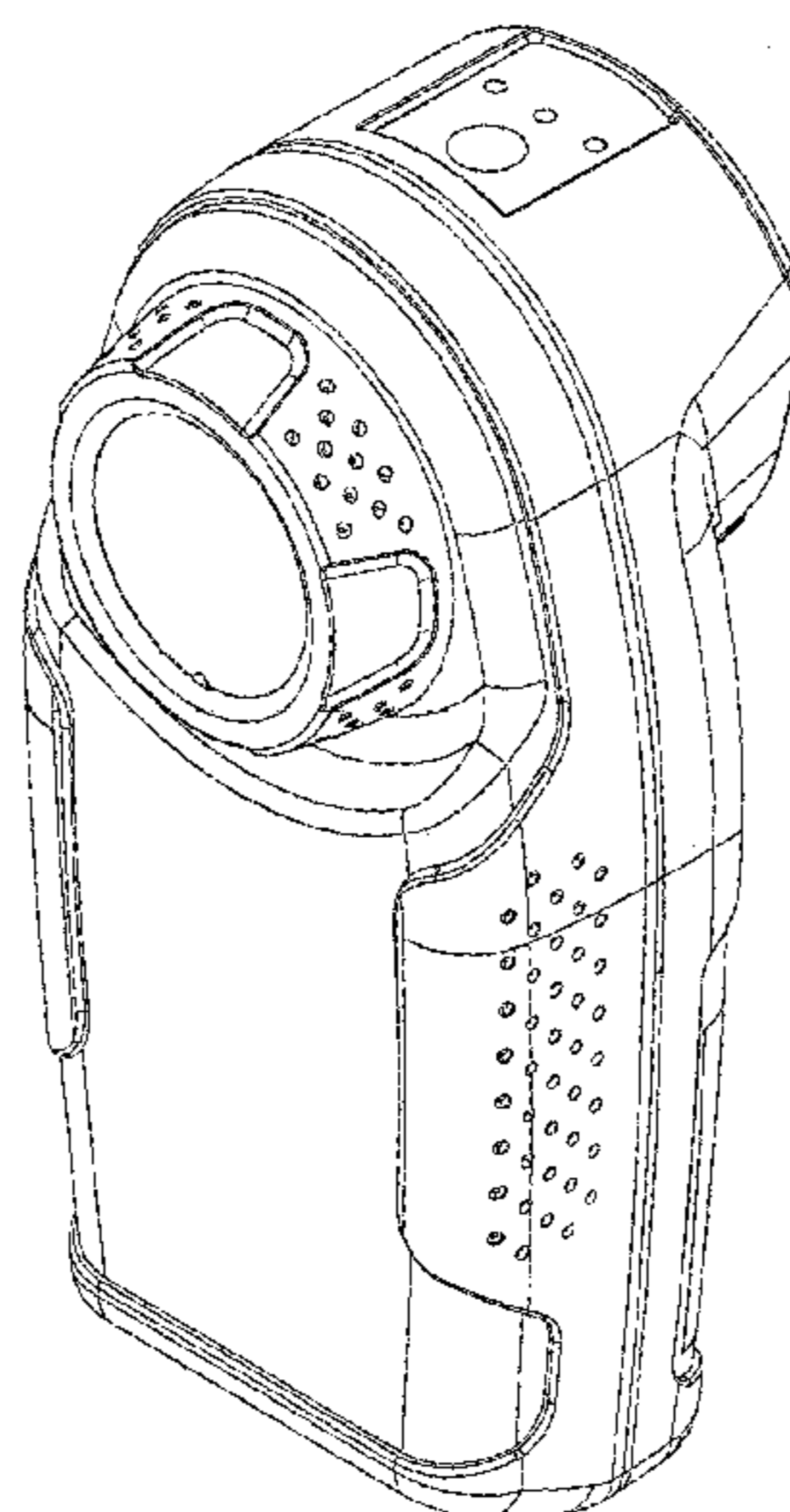
FIG. 1 is a front perspective view of the portable pump assembly.
FIG. 2 is a rear perspective view of the portable pump assembly.
FIG. 3 is a rear view of the portable pump assembly.
FIG. 4 is a front view of the portable pump assembly.
FIG. 5 is a bottom view of the portable pump assembly.
FIG. 6 is a top view of the portable pump assembly.
FIG. 7 is a left side view of the portable pump assembly;
and,
FIG. 8 is a right side view of the portable pump assembly.
The broken lines are included for the purpose of illustrating portions of the portable pump assembly that form no part of the claimed design.

(56) **References Cited**

U.S. PATENT DOCUMENTS

4,651,903 A * 3/1987 Pagliai A01M 7/0046
222/175
4,702,419 A * 10/1987 Luchsinger B05B 9/0877
239/333

1 Claim, 8 Drawing Sheets



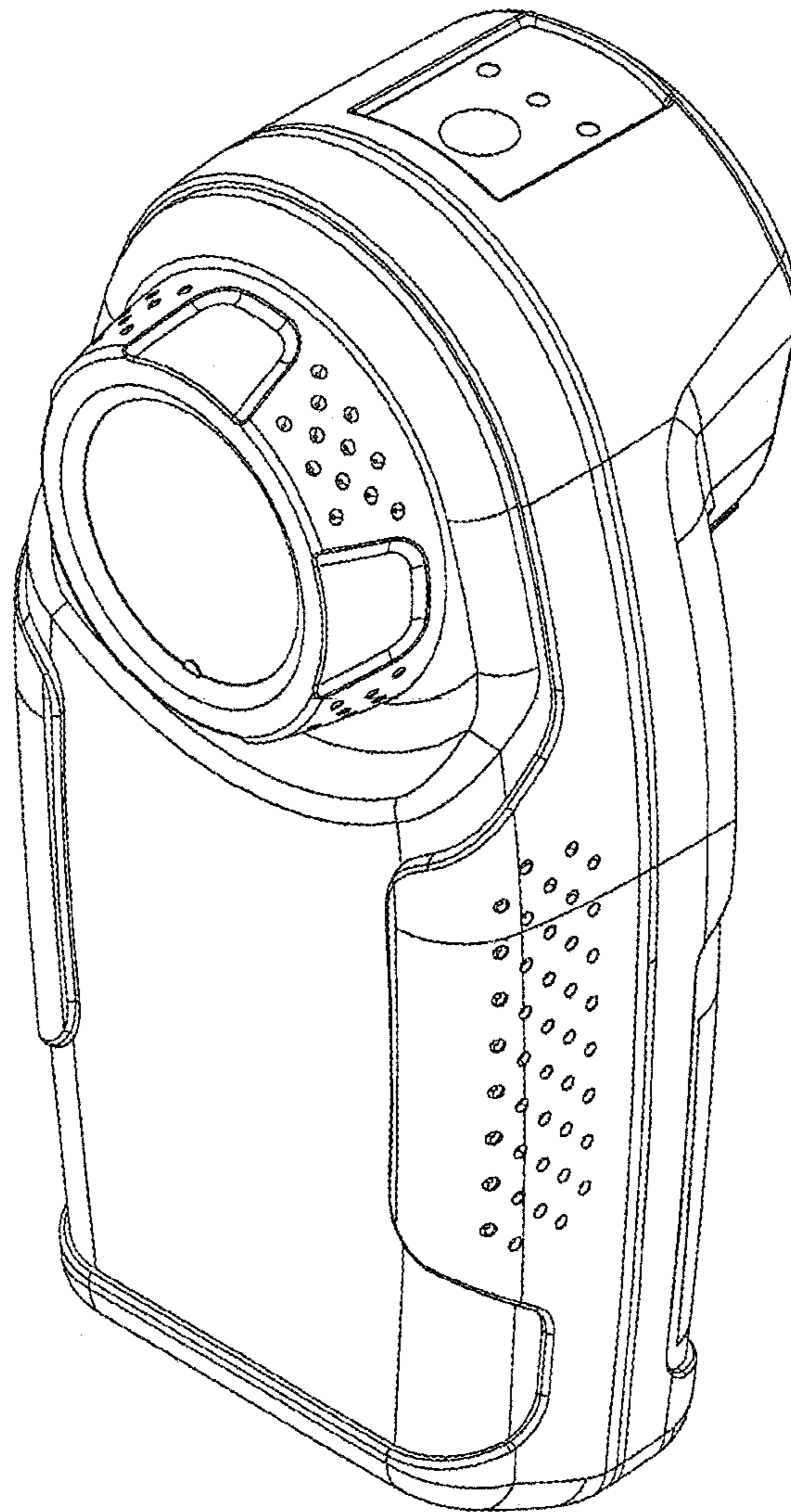


FIG. 1

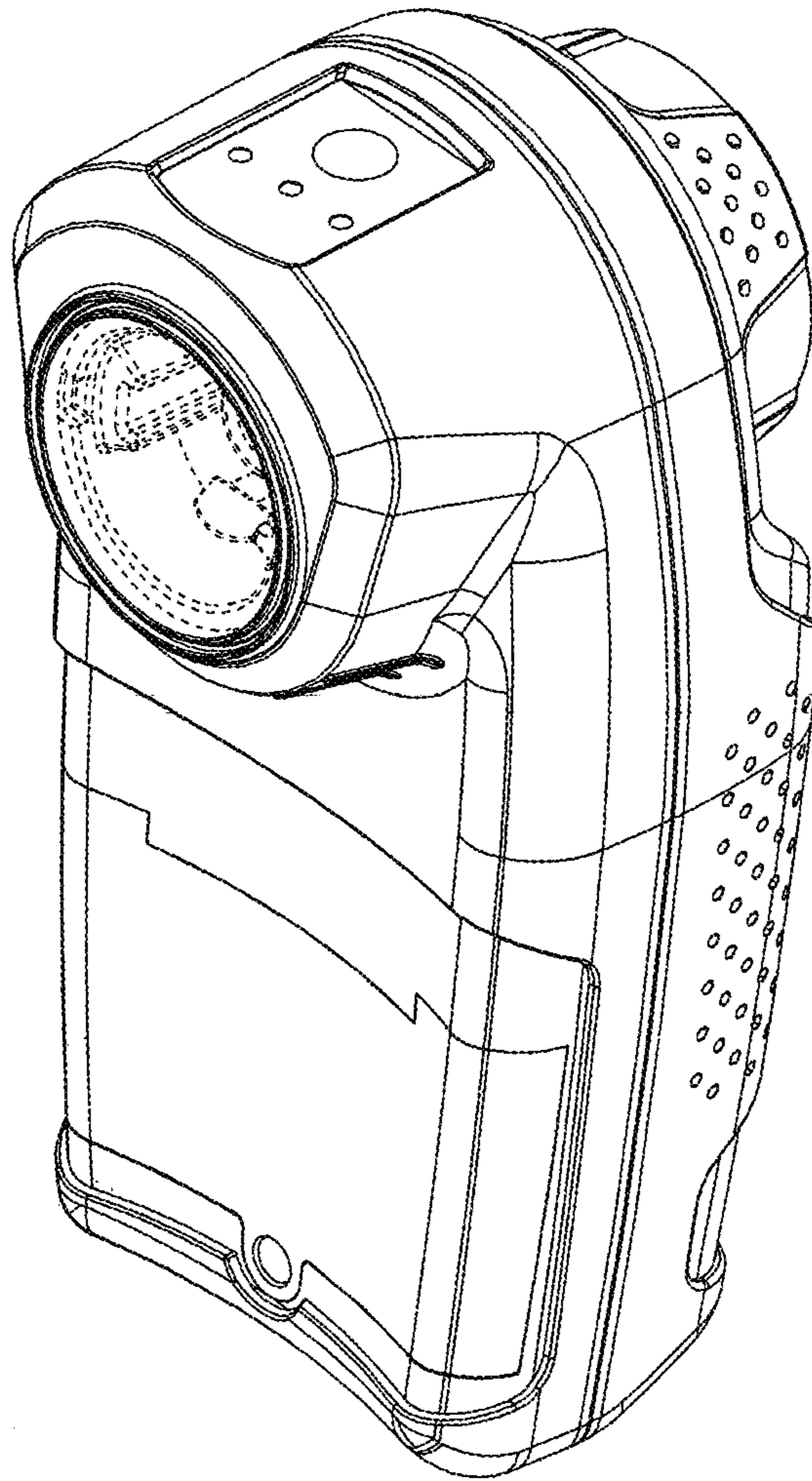


FIG. 2

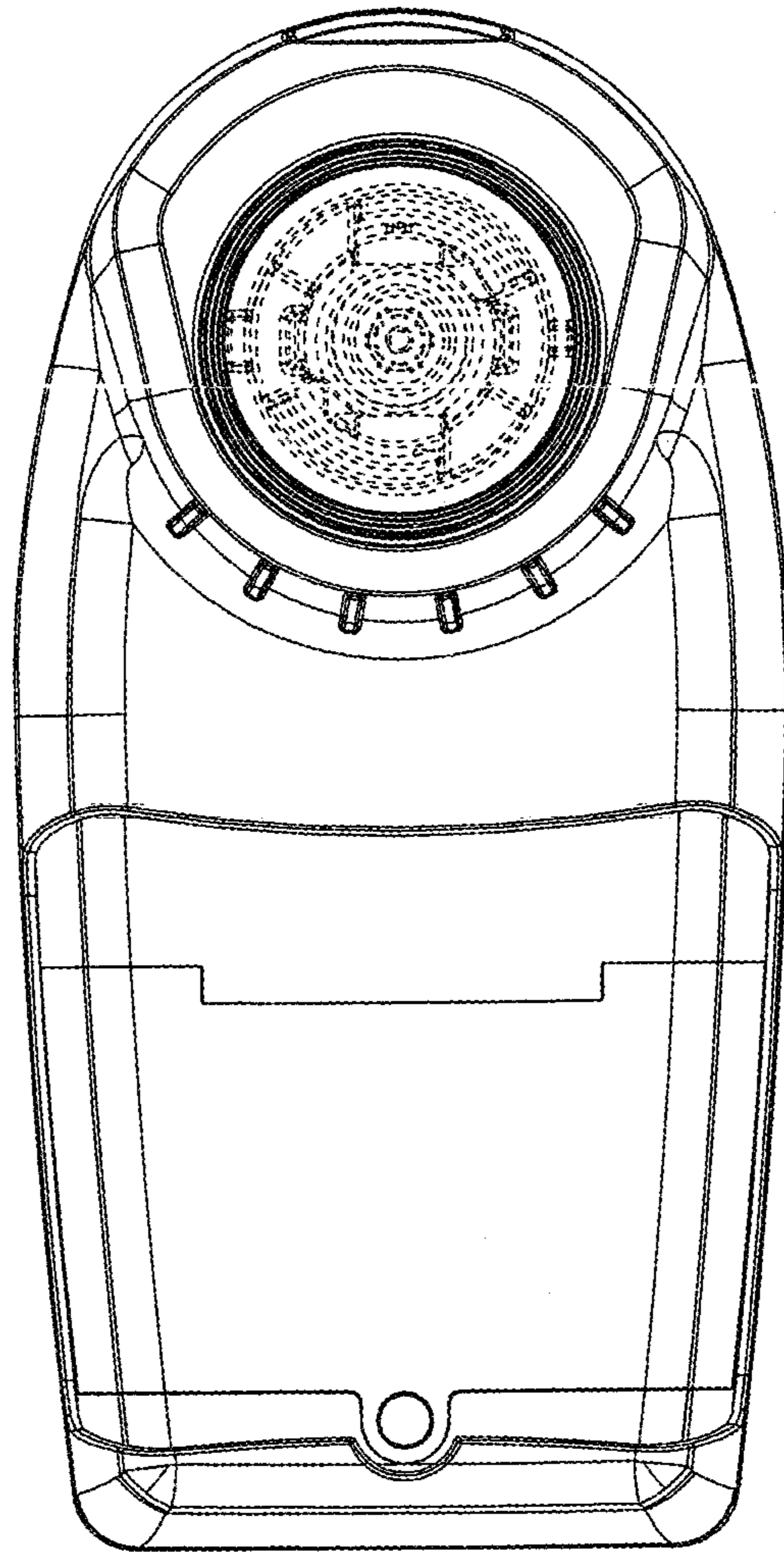


FIG. 3

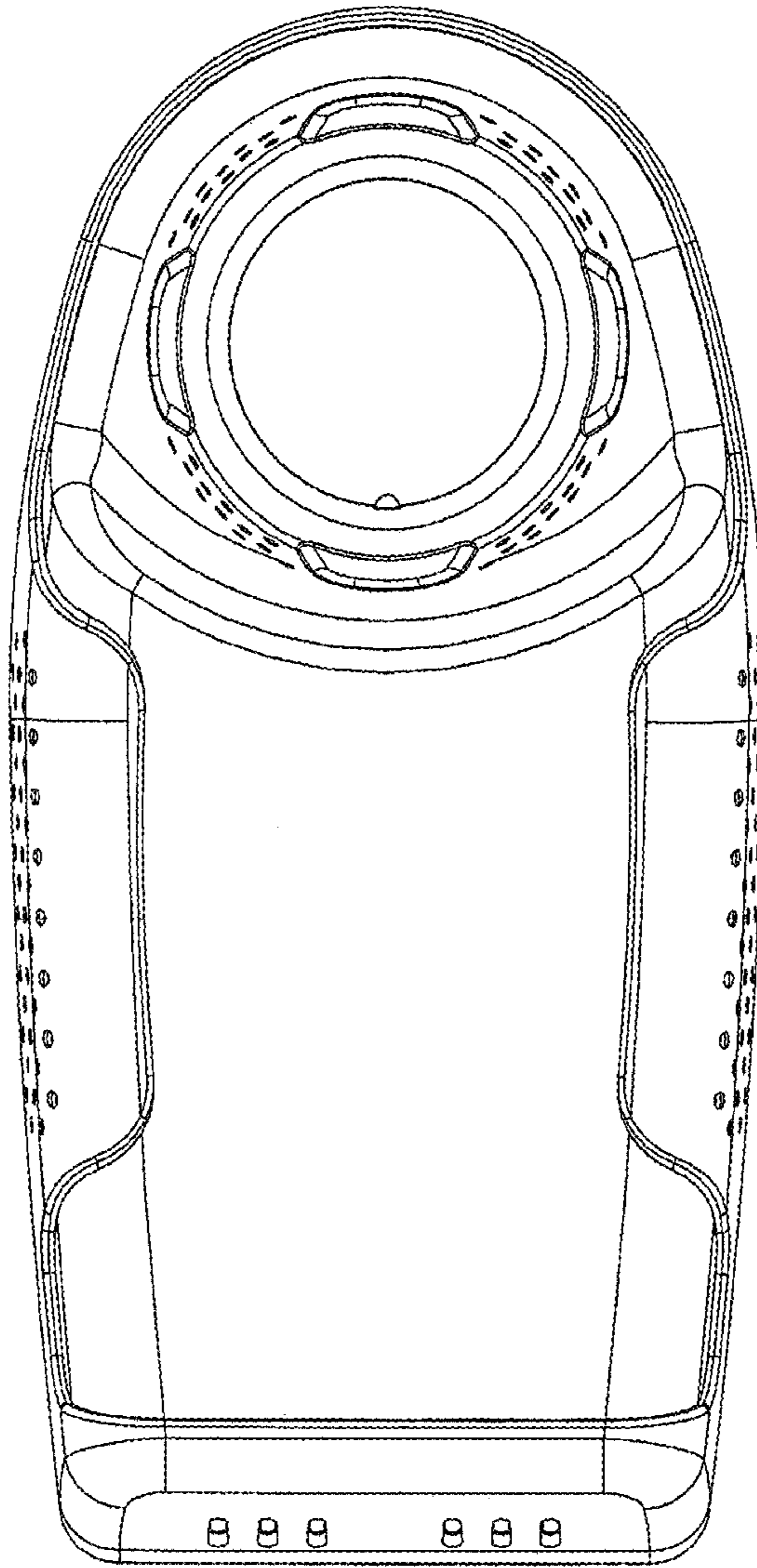


FIG. 4

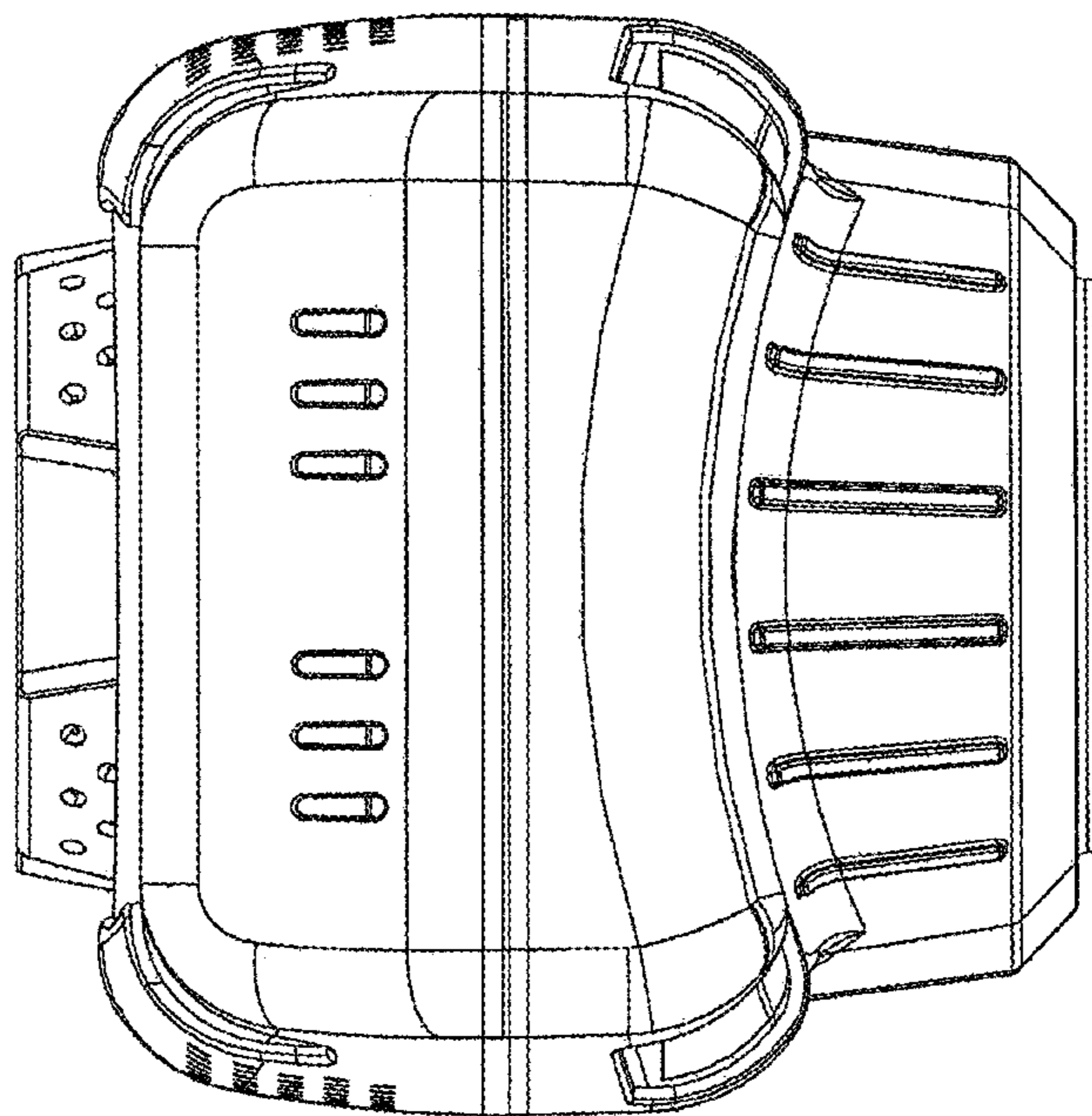


FIG. 5

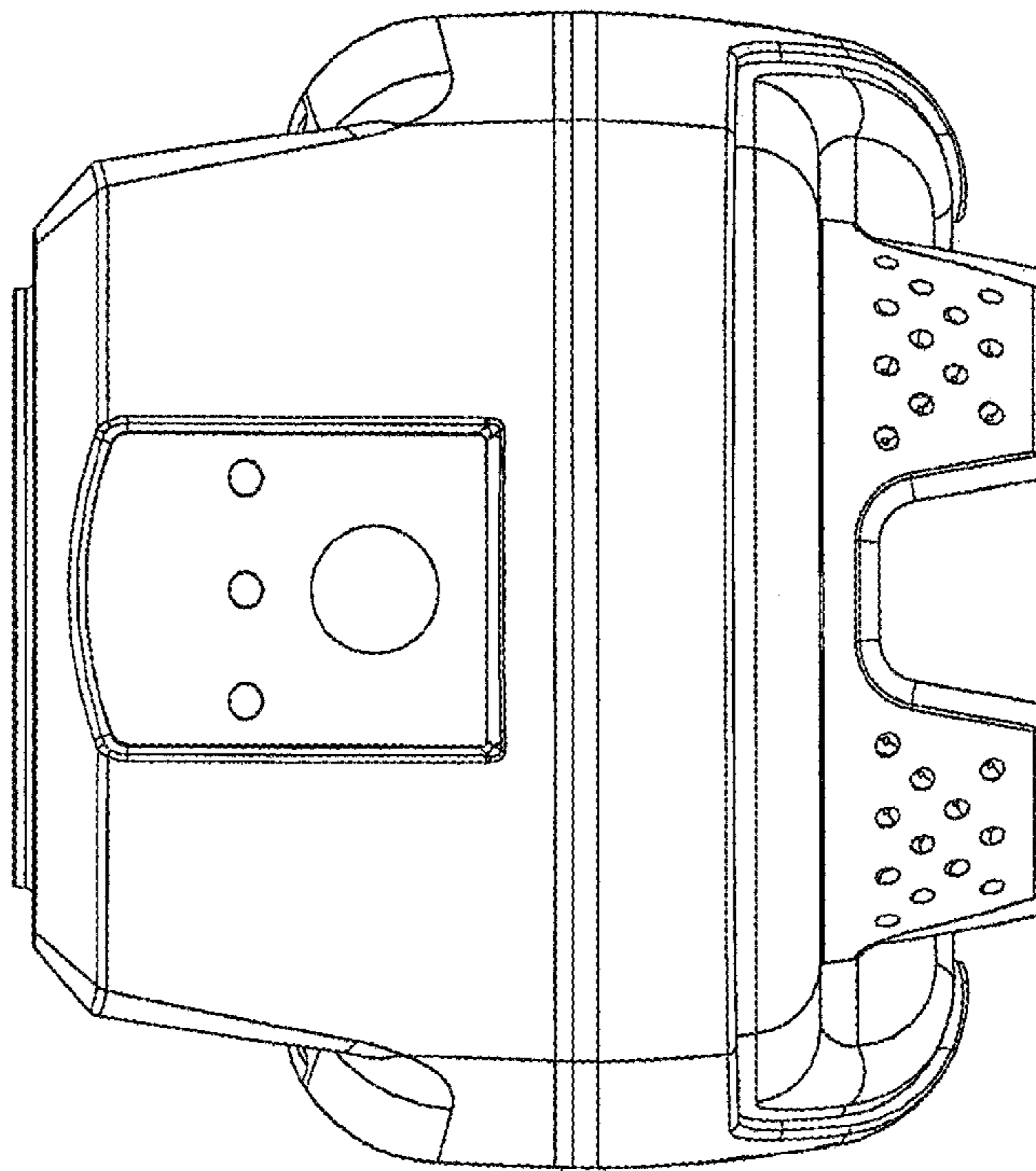


FIG. 6

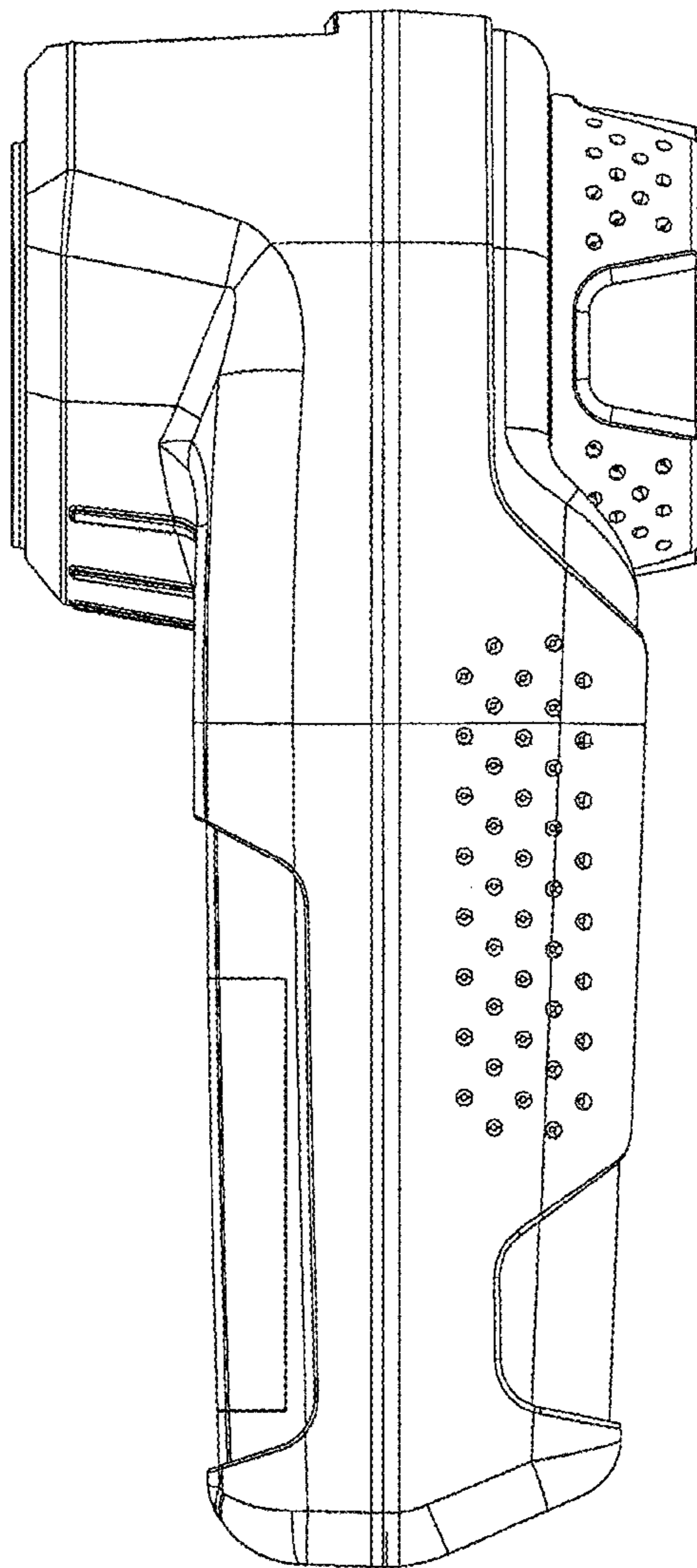


FIG. 7

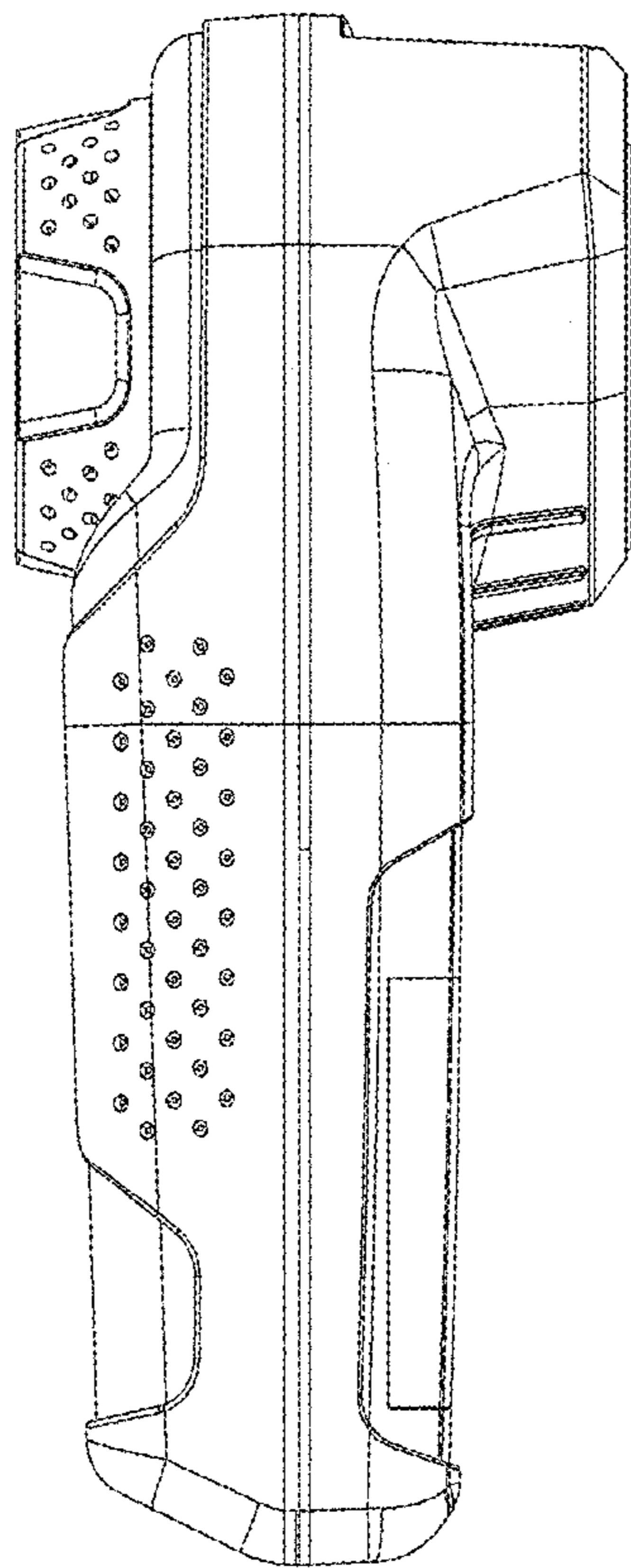


FIG. 8