



US00D784405S

(12) **United States Design Patent**
Kim et al.

(10) **Patent No.:** **US D784,405 S**

(45) **Date of Patent:** **** Apr. 18, 2017**

(54) **DISPLAY SCREEN OR PORTION THEREOF WITH GRAPHICAL USER INTERFACE**

(71) Applicant: **Samsung Electronics Co., Ltd.**,
Suwon-si, Gyeonggi-do (KR)

(72) Inventors: **Jihoon Kim**, Seoul (KR); **Jin-Gyu Seo**,
Namyangju-si (KR)

(73) Assignee: **SAMSUNG ELECTRONICS CO., LTD.**,
Suwon-si, Gyeonggi-Do (KR)

(**) Term: **14 Years**

(21) Appl. No.: **29/524,501**

(22) Filed: **Apr. 21, 2015**

(30) **Foreign Application Priority Data**

Nov. 28, 2014 (KR) 30-2014-0057852

(51) **LOC (10) Cl.** **14-04**

(52) **U.S. Cl.**
USPC **D14/489**

(58) **Field of Classification Search**
USPC D14/485-495
CPC G06F 17/211; G06F 17/212; G06F 3/048;
G06F 3/0481; G06F 3/04817; G06F
3/0482; G06F 3/0483; G06F 3/04842;
G06F 3/0485; G06F 3/04855; G06F
3/0486; G06F 3/0488; G06F 3/04886;
G06F 9/4443

See application file for complete search history.

(56) **References Cited**

U.S. PATENT DOCUMENTS

D662,111 S * 6/2012 Steele D14/492
D681,668 S * 5/2013 Phelan D14/489
D683,740 S * 6/2013 Glassman D14/486
D742,913 S * 11/2015 Torres D14/489
D743,437 S * 11/2015 Gardner D14/489
D745,553 S * 12/2015 Torres D14/489

D746,327 S * 12/2015 Varga D14/489
D753,715 S * 4/2016 Clement D14/485
D754,741 S * 4/2016 Kang D14/489
D755,853 S * 5/2016 Kang D14/489
D757,810 S * 5/2016 Lee D14/492
D759,720 S * 6/2016 Choi D14/492
D763,916 S * 8/2016 Um D14/489
2014/0191856 A1* 7/2014 Cho G08C 17/02
340/12.54
2015/0286388 A1* 10/2015 Jeon G06F 3/04817
715/736

(Continued)

FOREIGN PATENT DOCUMENTS

EM 001337356-0001 7/2012
EM 002201483-0031 3/2013
KR 30-0684281 3/2013

OTHER PUBLICATIONS

Xinh Studio, "Glyphie" Mar. 6, 2015, Iconfinder, site visited Nov. 29, 2016 <<https://www.iconfinder.com/iconsets/glyphie-1>>.*

Primary Examiner — Kevin Rudzinski

Assistant Examiner — John Reickel

(74) *Attorney, Agent, or Firm* — Ladas & Parry LLP

(57) **CLAIM**

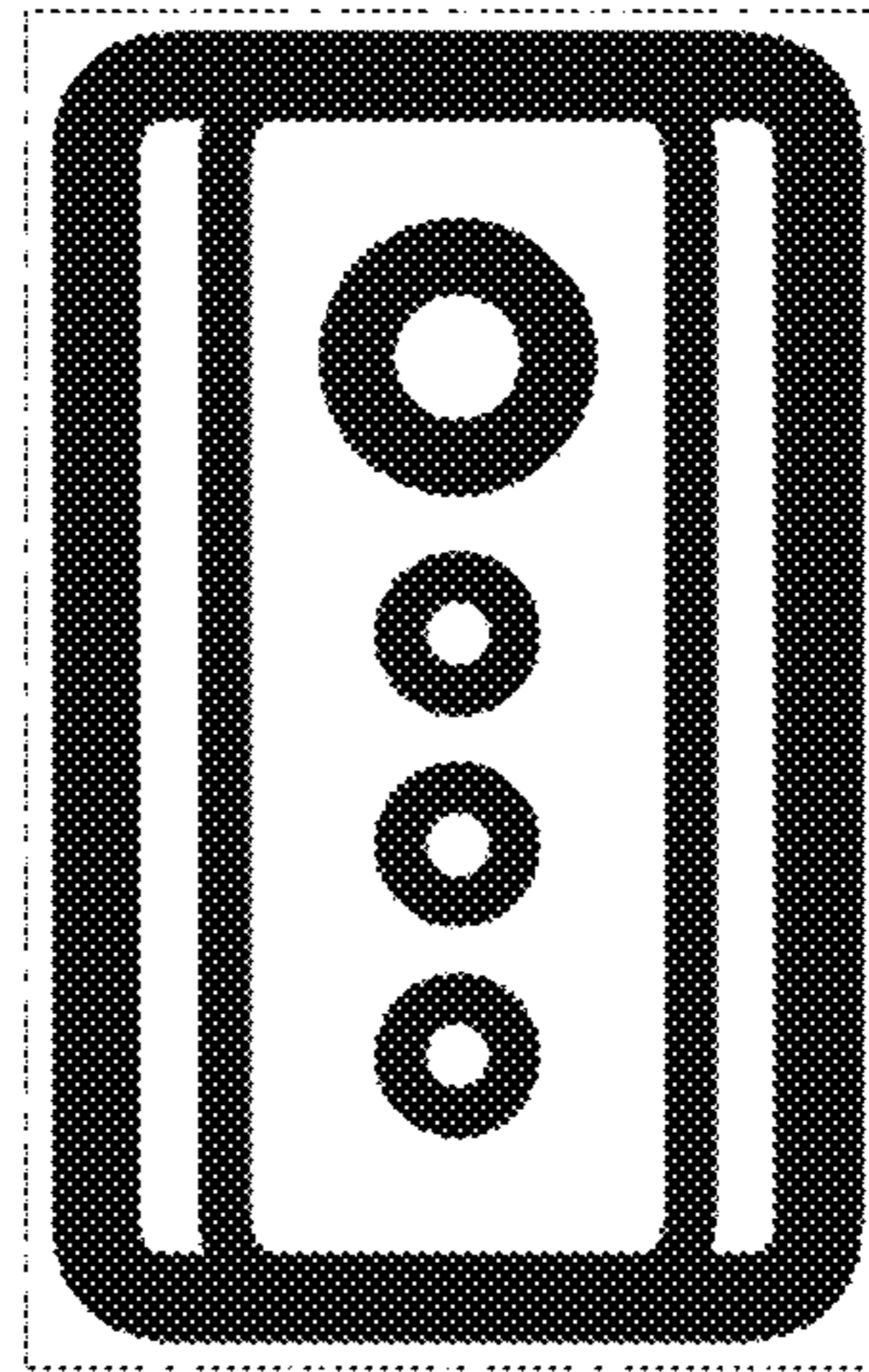
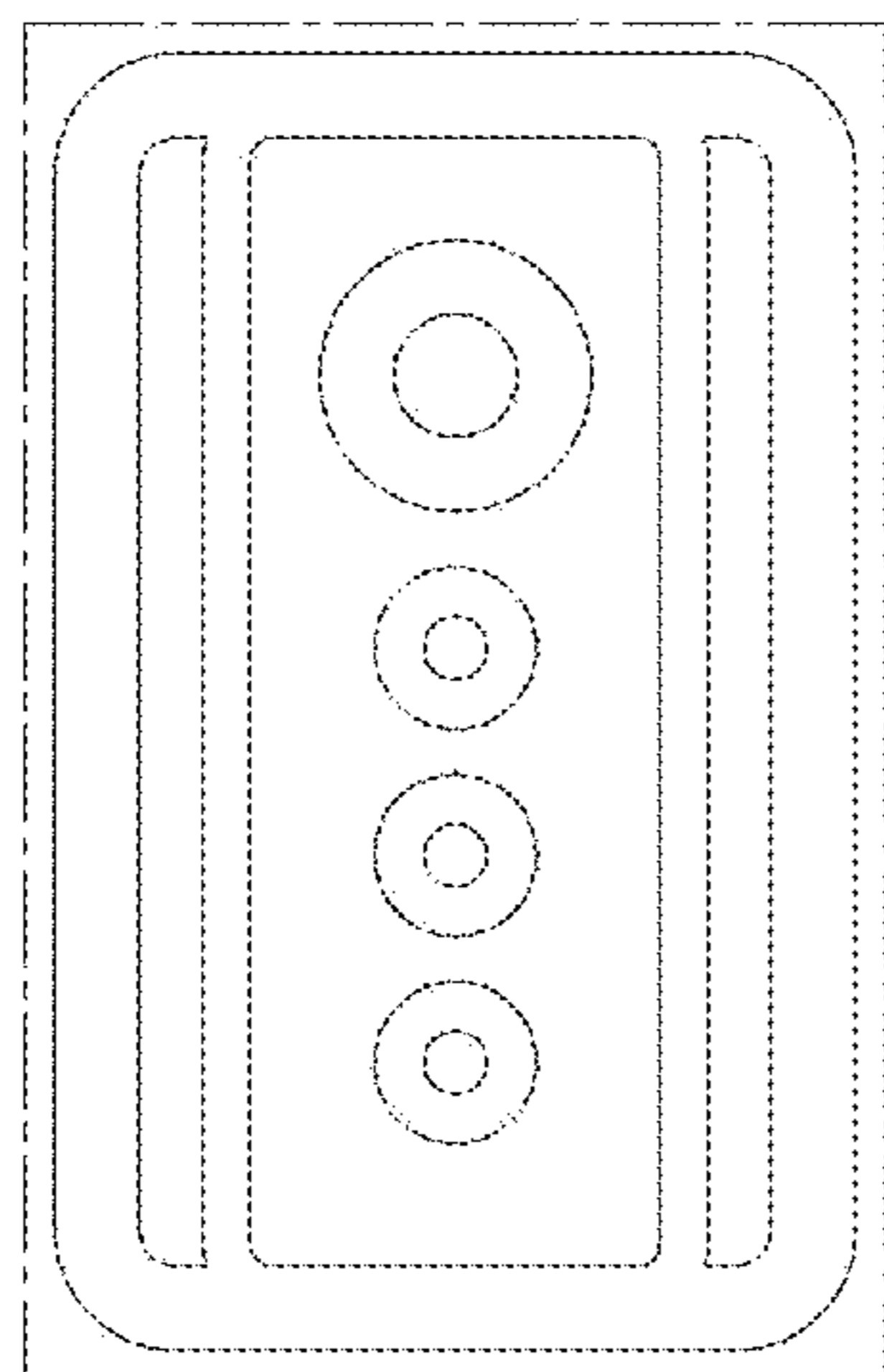
We claim the ornamental design for a display screen or portion thereof with graphical user interface, as shown and described.

DESCRIPTION

FIG. 1 is a front view of a display screen or portion thereof with graphical user interface showing our new design; and, FIG. 2 is a front view of another embodiment of a display screen or portion thereof with graphical user interface showing our new design.

The dot-dash broken lines define the bounds of the claimed design and form no part thereof.

1 Claim, 2 Drawing Sheets



(56)

References Cited

U.S. PATENT DOCUMENTS

2016/0092072 A1* 3/2016 So G06F 3/04817
345/173
2016/0239255 A1* 8/2016 Chavez H04S 7/301

* cited by examiner

FIG. 1

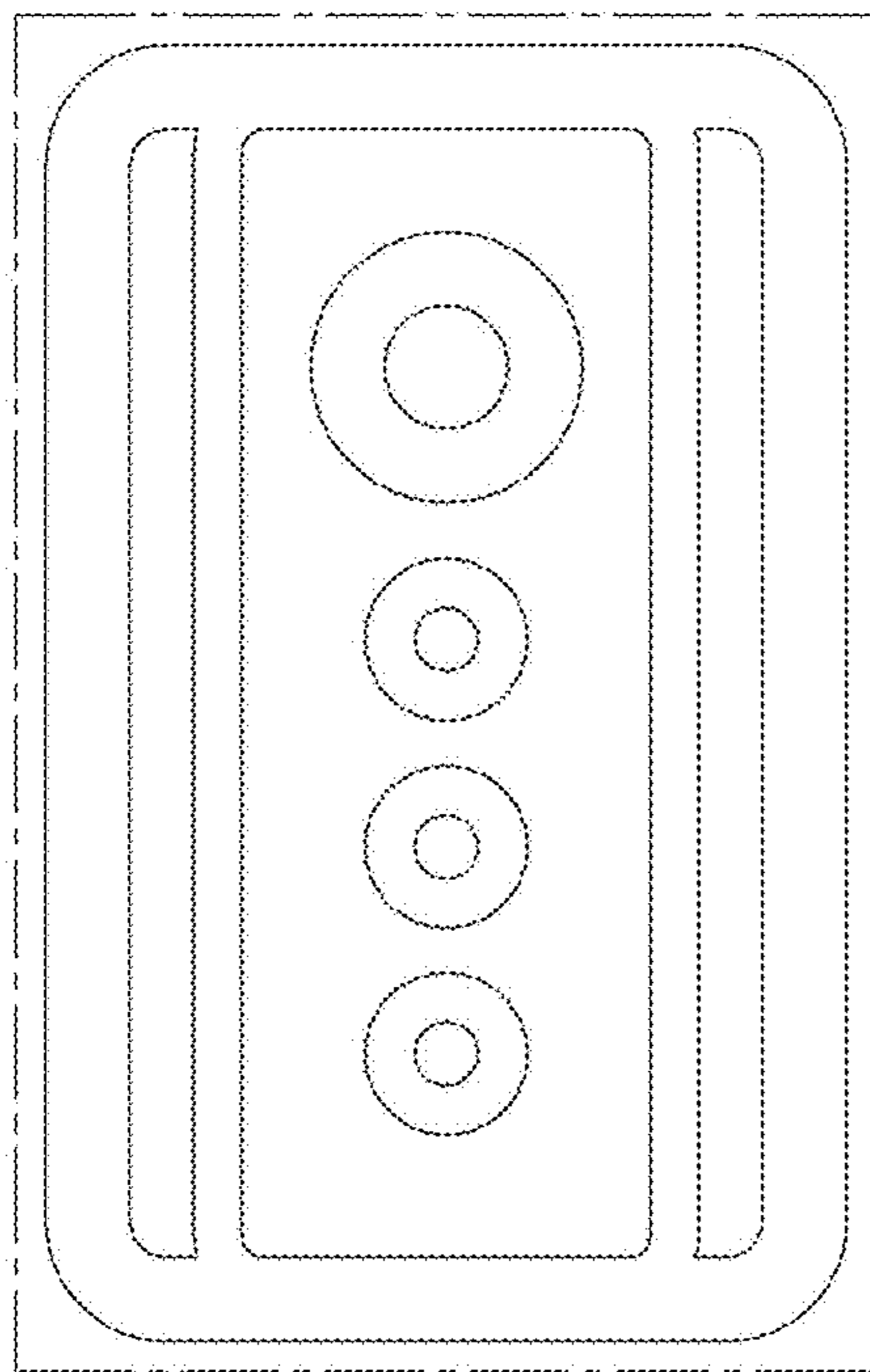


FIG. 2

