



US00D784389S

(12) **United States Design Patent**
Kim et al.

(10) **Patent No.:** **US D784,389 S**
(45) **Date of Patent:** **** Apr. 18, 2017**

(54) **DISPLAY SCREEN OR PORTION THEREOF WITH GRAPHICAL USER INTERFACE**

(71) Applicant: **Samsung Electronics Co., Ltd.**,
Suwon-si, Gyeonggi-do (KR)

(72) Inventors: **Yu Sic Kim**, Suwon-si (KR); **Minsun Kim**, Seoul (KR); **Bonghee Han**,
Suwon-si (KR)

(73) Assignee: **SAMSUNG ELECTRONICS CO., LTD**, Gyeonggi-Do (KR)

(**) Term: **15 Years**

(21) Appl. No.: **29/549,701**

(22) Filed: **Dec. 28, 2015**

(30) **Foreign Application Priority Data**

Aug. 12, 2015 (KR) 30-2015-0040798

(51) **LOC (10) Cl.** **14-04**

(52) **U.S. Cl.**
USPC **D14/486**; D14/492

(58) **Field of Classification Search**
USPC D14/138 R, 240, 30, 344, 485-495
CPC G06F 3/04886; G06F 2203/04807; G06F
3/04842; H04M 1/2477
See application file for complete search history.

(56) **References Cited**

U.S. PATENT DOCUMENTS

- 4,077,032 A * 2/1978 Volkman G04G 9/0064
283/2
- 4,209,974 A * 7/1980 Noble G04G 9/0094
368/232
- 5,418,760 A * 5/1995 Kawashima G02F 1/13306
341/23
- D388,424 S * 12/1997 DeMuro D14/488
- D403,673 S * 1/1999 Arora D14/489
- D497,617 S * 10/2004 Decombe D14/486

- D544,494 S * 6/2007 Cummins D14/486
- D545,324 S * 6/2007 Decombe D14/485
- D557,278 S * 12/2007 Harvey D14/494
- D587,277 S * 2/2009 Park D14/485
- D621,415 S * 8/2010 Umezawa D14/492
- D682,850 S * 5/2013 Del Pasqua D14/485
- D688,270 S * 8/2013 Jang D14/492
- D690,316 S * 9/2013 Meng D14/486
- D690,729 S * 10/2013 Abratowski D14/489
- D695,300 S * 12/2013 Lee D14/486
- D703,221 S * 4/2014 Park D14/486
- D703,228 S * 4/2014 Abratowski D14/489
- D731,545 S * 6/2015 Lim D14/492
- D747,740 S * 1/2016 Lee D14/492
- D754,706 S * 4/2016 Hwang D14/486
- D755,221 S * 5/2016 Kim D14/486
- D756,394 S * 5/2016 Kim D14/486

(Continued)

OTHER PUBLICATIONS

Peter K, Upcoming Samsung Gear S2 gets teased, Aug. 19, 2015, phonearena.com [online], [site visited Nov. 16, 2016]. Available from Internet: <http://www.phonearena.com/news/Upcoming-Samsung-Gear-S2-gets-teased-in-a-new-promo-video-the-focus-is-on-the-circular-UI_id72852>.*

Primary Examiner — Karen Kearney
Assistant Examiner — Katherine Holbrow
(74) *Attorney, Agent, or Firm* — Cantor Colburn LLP

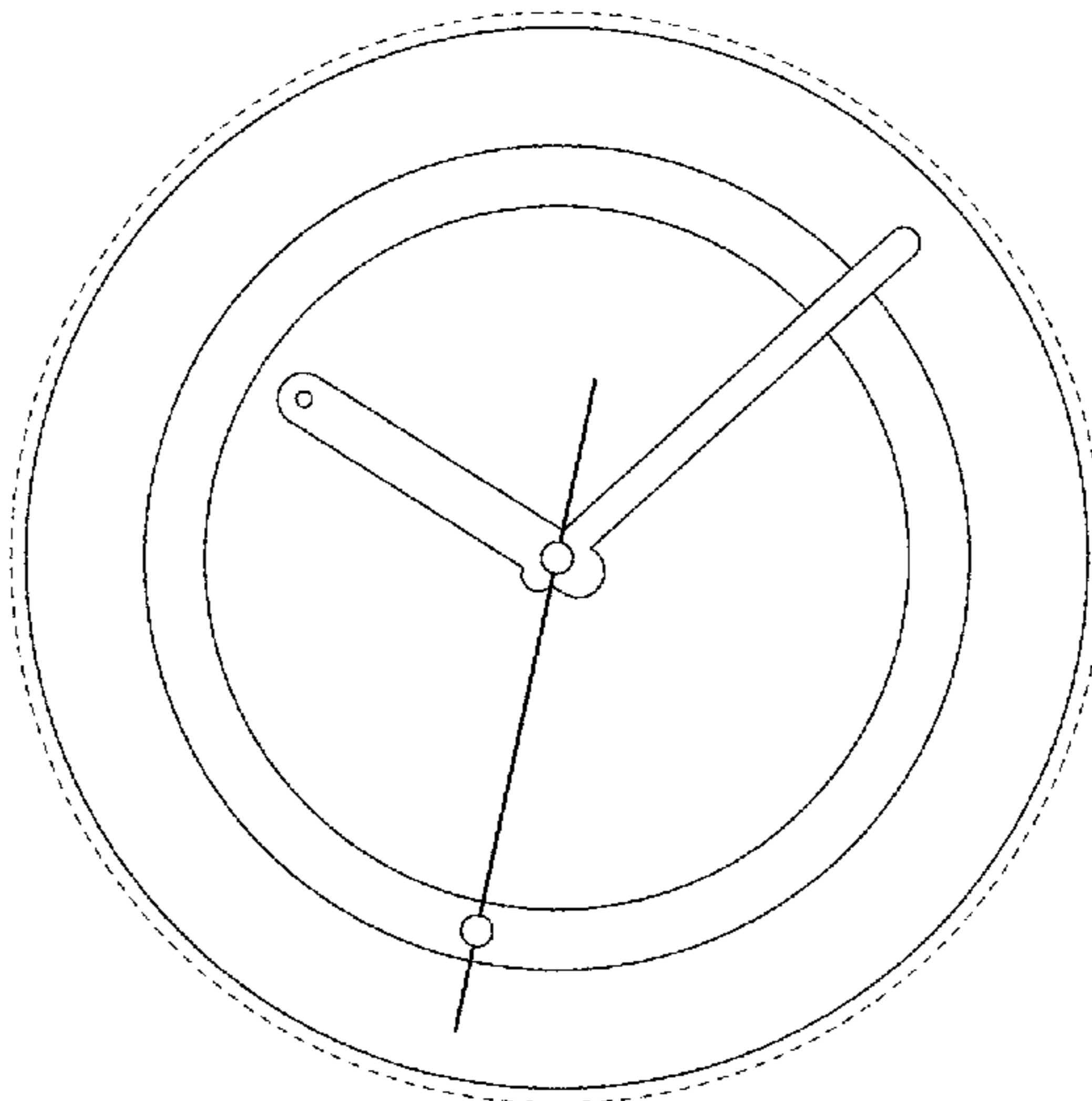
(57) **CLAIM**

We claim, the ornamental design for a display screen or portion thereof with graphical user interface, as shown and described.

DESCRIPTION

The FIGURE is a front view of a display screen or portion thereof with graphical user interface, showing our new design.
The broken line represents the display screen or portion thereof and forms no part of the claimed design.

1 Claim, 1 Drawing Sheet



(56)

References Cited

U.S. PATENT DOCUMENTS

D756,395 S *	5/2016	Kim	D14/486
D757,079 S *	5/2016	Chaudhri	D14/486
D757,080 S *	5/2016	Hou	D14/486
D760,286 S *	6/2016	Park	D14/492
D762,230 S *	7/2016	Kaplan	D14/486
D765,114 S *	8/2016	Chaudhri	D14/486
D765,693 S *	9/2016	Chaudhri	D14/486
D766,950 S *	9/2016	Dye	D14/486
2016/0110012 A1 *	4/2016	Yim	345/173

* cited by examiner

