



US00D784361S

(12) **United States Design Patent**
Graham et al.

(10) **Patent No.:** **US D784,361 S**

(45) **Date of Patent:** **** Apr. 18, 2017**

(54) **PORTION OF DISPLAY SCREEN WITH ANIMATED GRAPHICAL USER INTERFACE**

(71) Applicant: **RICOH COMPANY, LTD.**, Tokyo (JP)

(72) Inventors: **Jamey Graham**, San Jose, CA (US);
Daniel Van Olst, San Francisco, CA (US)

(73) Assignee: **RICOH COMPANY, LTD.**, Tokyo (JP)

(**) Term: **14 Years**

(21) Appl. No.: **29/519,231**

(22) Filed: **Mar. 3, 2015**

(51) **LOC (10) Cl.** **14-04**

(52) **U.S. Cl.**
USPC **D14/485**

(58) **Field of Classification Search**
USPC D14/485-488, 491
CPC . G06F 3/0482; G06F 3/04842; G06F 3/04817
See application file for complete search history.

(56) **References Cited**

U.S. PATENT DOCUMENTS

7,298,370	B1 *	11/2007	Middler	G06T 11/206	345/421
D625,318	S *	10/2010	Jasinski		D14/485
D626,143	S *	10/2010	Karten		D14/491
D651,611	S *	1/2012	Ouilhet		D14/489
D651,613	S *	1/2012	Ouilhet		D14/491
D667,842	S *	9/2012	Ouilhet		D14/489
D693,830	S *	11/2013	Edwards		D14/485
D694,770	S *	12/2013	Edwards		D14/485
D695,753	S *	12/2013	Edwards		D14/485
D699,750	S *	2/2014	Pearson		D14/488
D702,707	S *	4/2014	Kotler		D14/487
D705,240	S *	5/2014	Edwards		D14/485
D706,826	S *	6/2014	McLean		D14/491

(Continued)

Primary Examiner — Sheryl Lane

Assistant Examiner — Nicole Shiflet

(74) *Attorney, Agent, or Firm* — Blank Rome LLP

(57) **CLAIM**

The ornamental design for a portion of display screen with animated graphical user interface, as shown and described.

DESCRIPTION

This design patent application incorporates by reference U.S. Design patent application Ser. No. 29/515,009, any material of which is not present in this application forms no part of the claimed design.

FIG. 1 is a front view of a first image for a display screen portion with animated graphical user interface according to a first embodiment;

FIG. 2 is a second image thereof;

FIG. 3 is a third image thereof;

FIG. 4 is a fourth image thereof;

FIG. 5 is a fifth image thereof;

FIG. 6 is a front view of a first image for a display screen portion with animated graphical user interface according to a second embodiment;

FIG. 7 is a second image thereof;

FIG. 8 is a third image thereof;

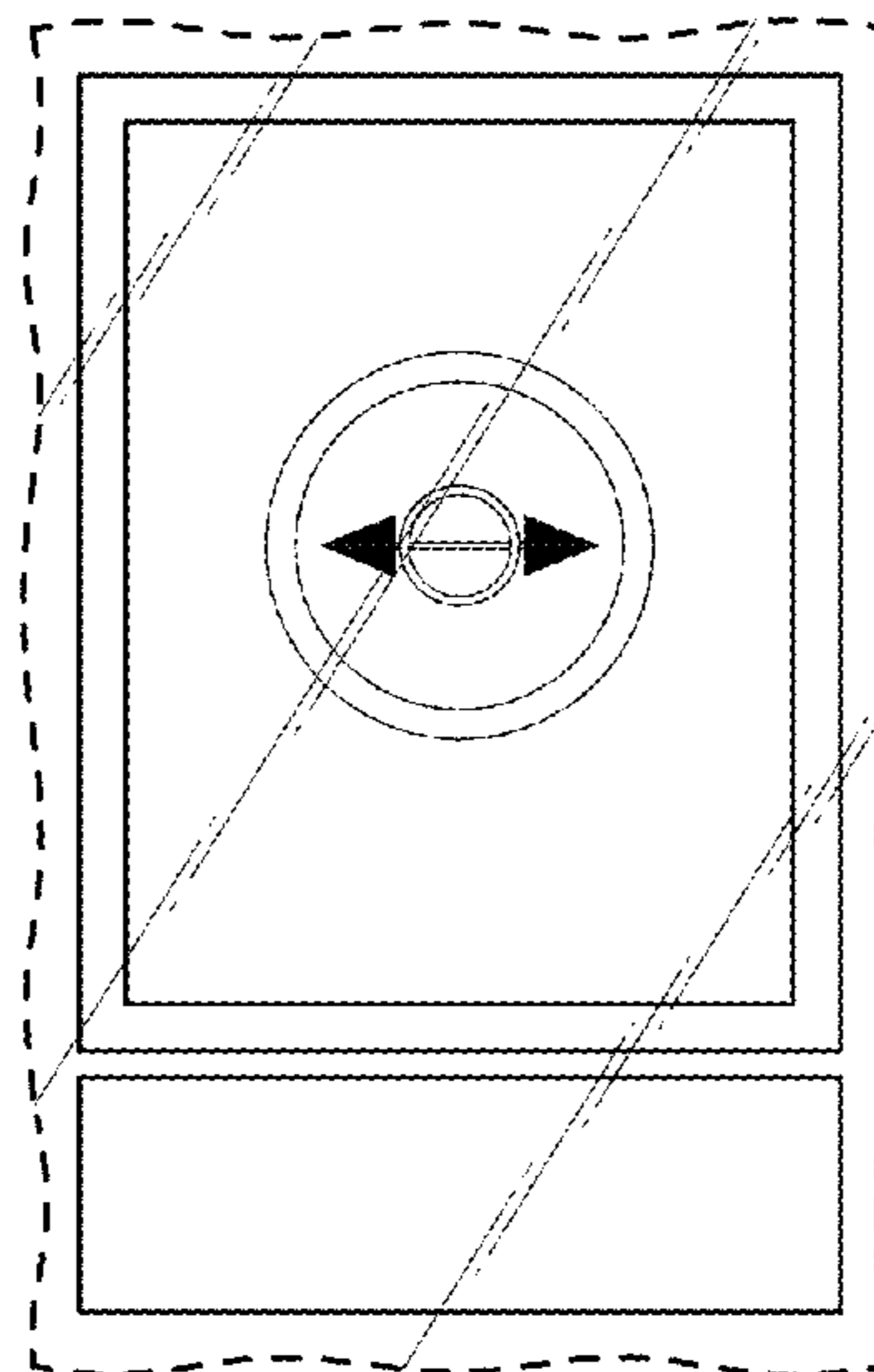
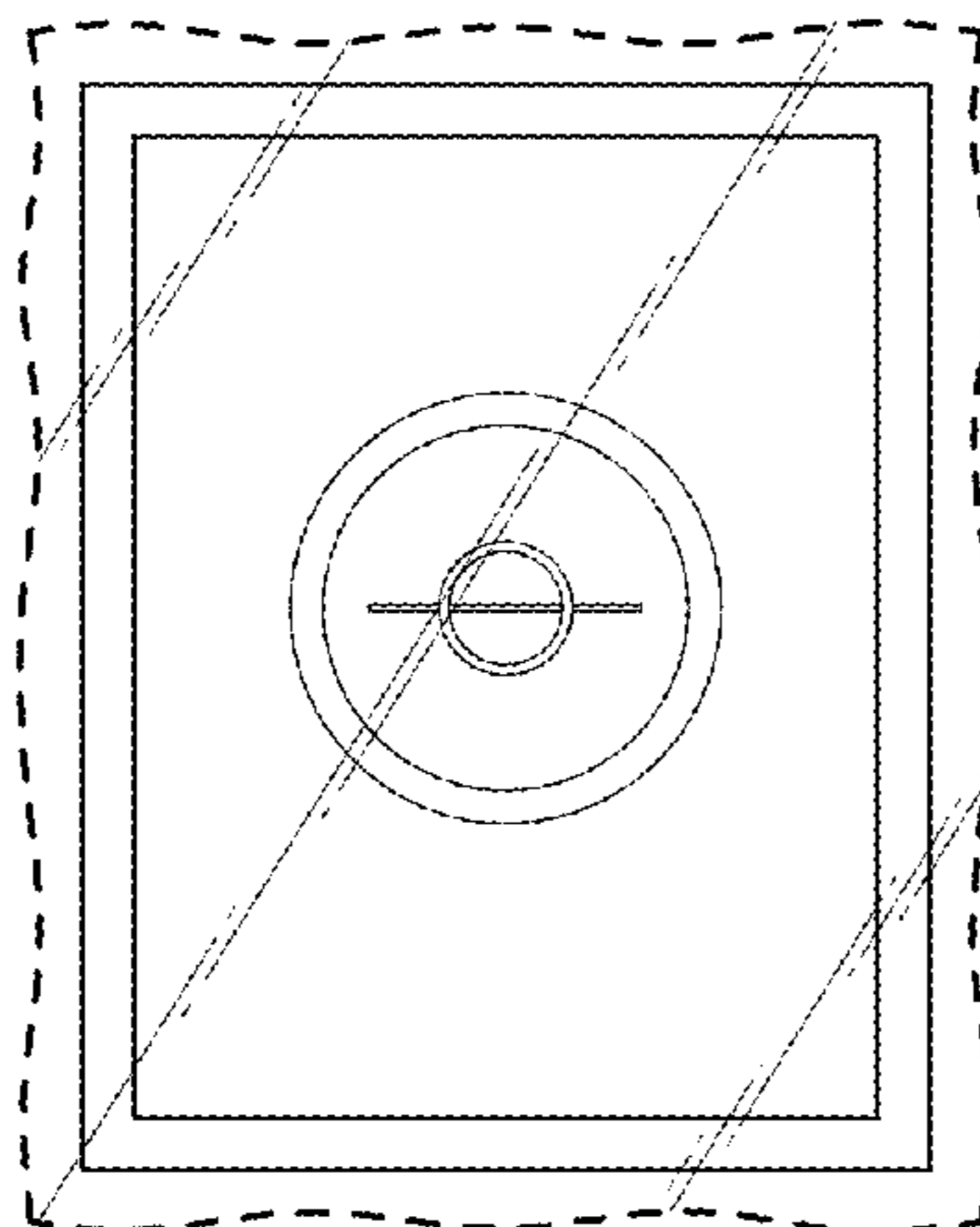
FIG. 9 is a fourth image thereof; and,

FIG. 10 is a fifth image thereof.

The appearance of the animated graphical user interface sequentially transitions between the images shown in FIGS. 1-5 and FIGS. 6-10. The process or period in which one image transitions to another forms no part of the claimed design.

The broken line in each of FIGS. 1-10 represents the outer periphery of the portion of the display screen, and also the outer periphery of the claimed design. The broken line itself forms no part of the claimed design.

1 Claim, 4 Drawing Sheets



(56)

References Cited

U.S. PATENT DOCUMENTS

D718,321	S	*	11/2014	Charles	D14/486
D728,619	S	*	5/2015	Myung	D14/491
D738,913	S	*	9/2015	Cabrera-Cordon	D14/491
D741,888	S	*	10/2015	Sic	D14/486
D742,910	S	*	11/2015	Drozd	D14/485
D757,027	S	*	5/2016	Gordon	D14/485
D759,070	S	*	6/2016	Heeter	D14/486
2006/0263098	A1	*	11/2006	Akiyama	G02F 1/0123 398/188
2008/0295033	A1	*	11/2008	Lee	F25D 23/126 715/840
2009/0083665	A1	*	3/2009	Anttila	G06F 3/0482 715/834
2013/0232437	A1	*	9/2013	Kim	G06F 3/0231 715/773

* cited by examiner

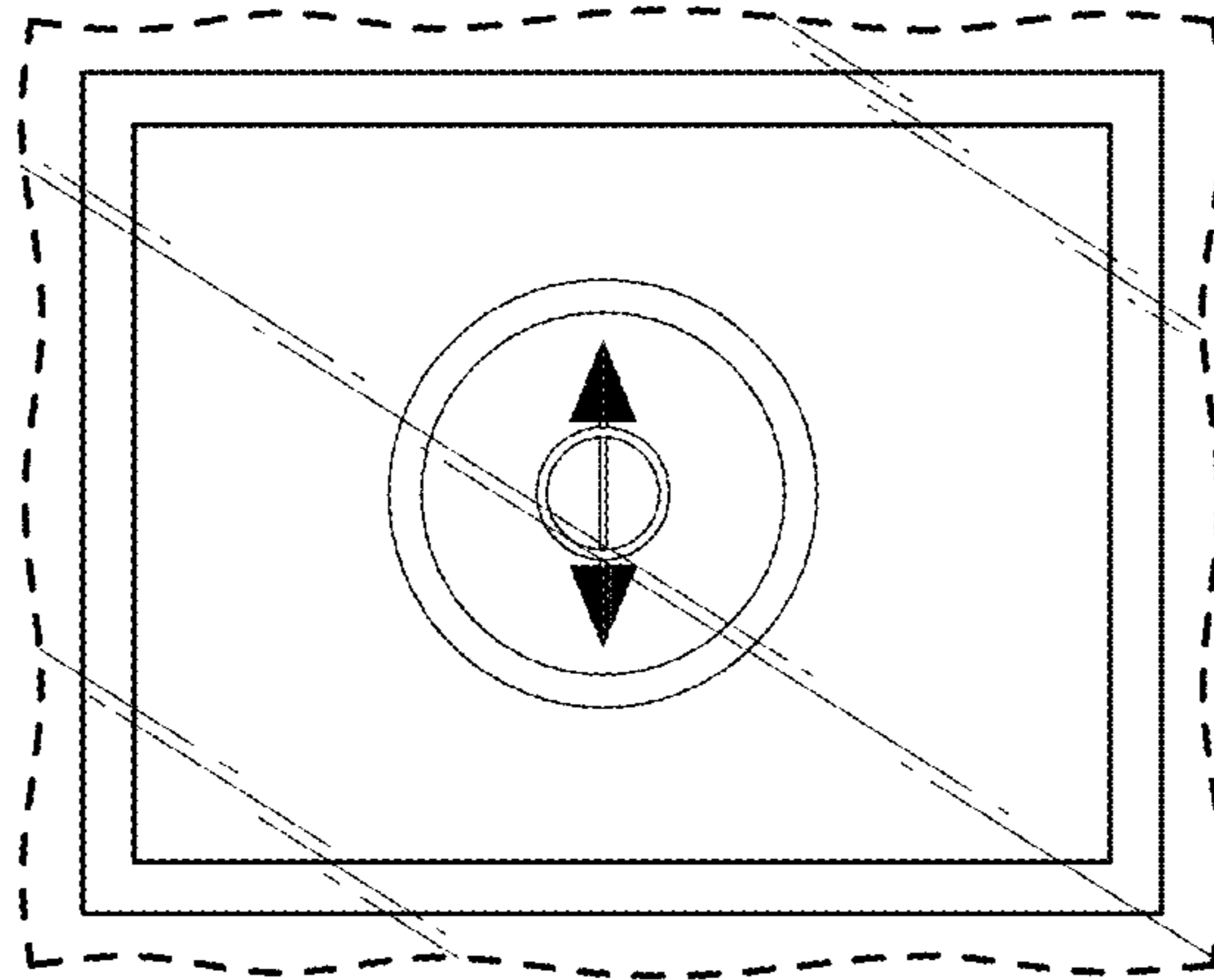


FIG. 1

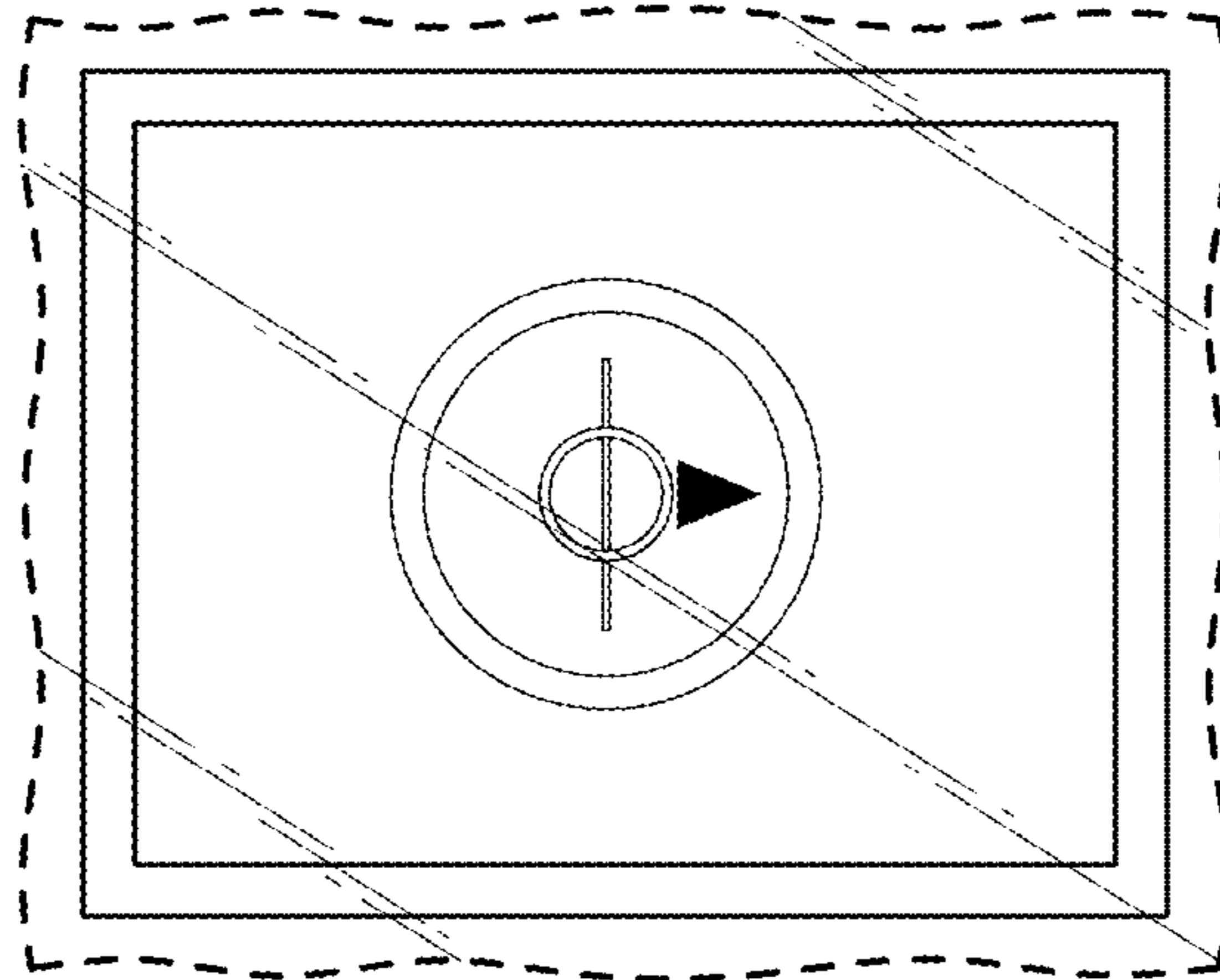


FIG. 2

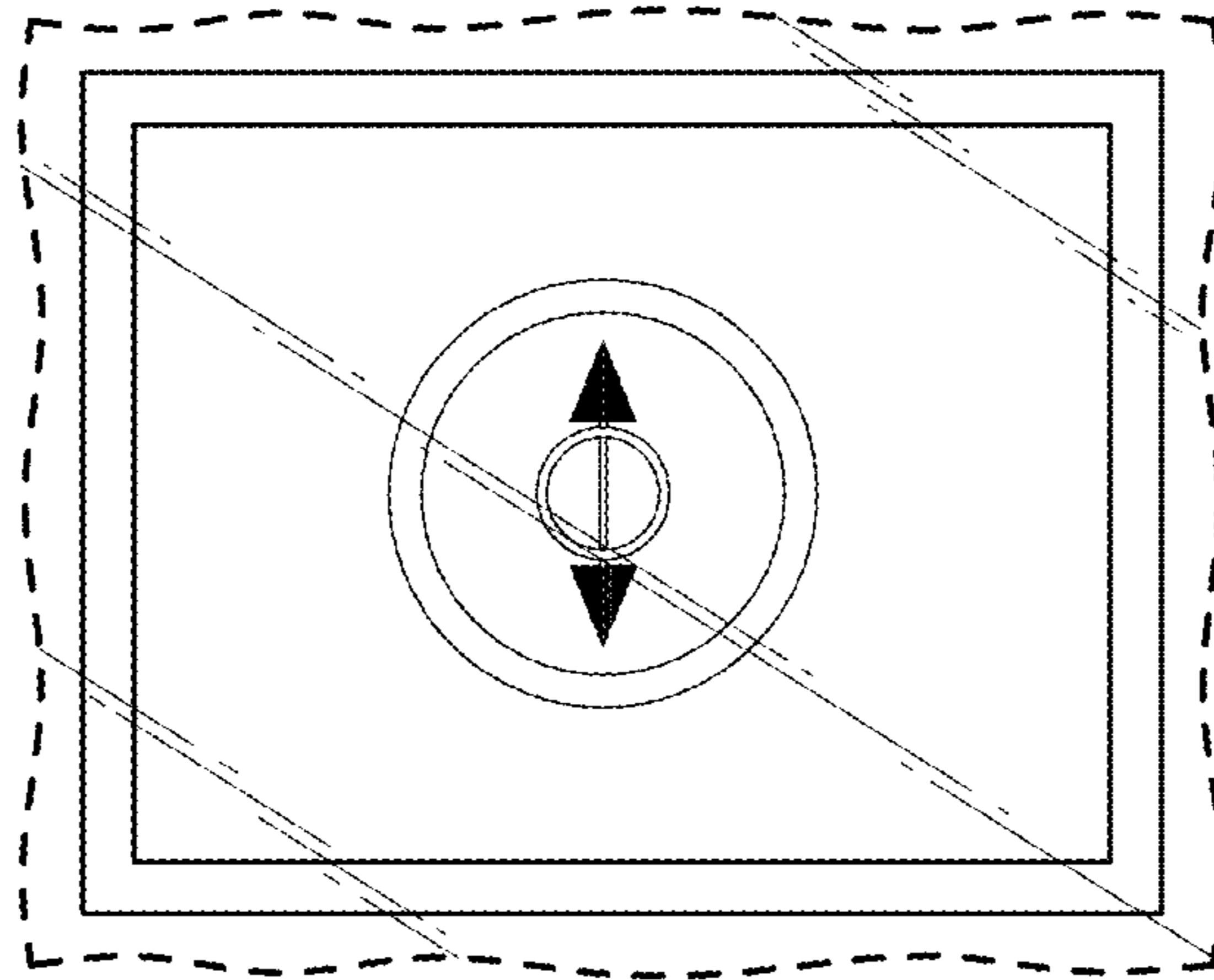


FIG. 3

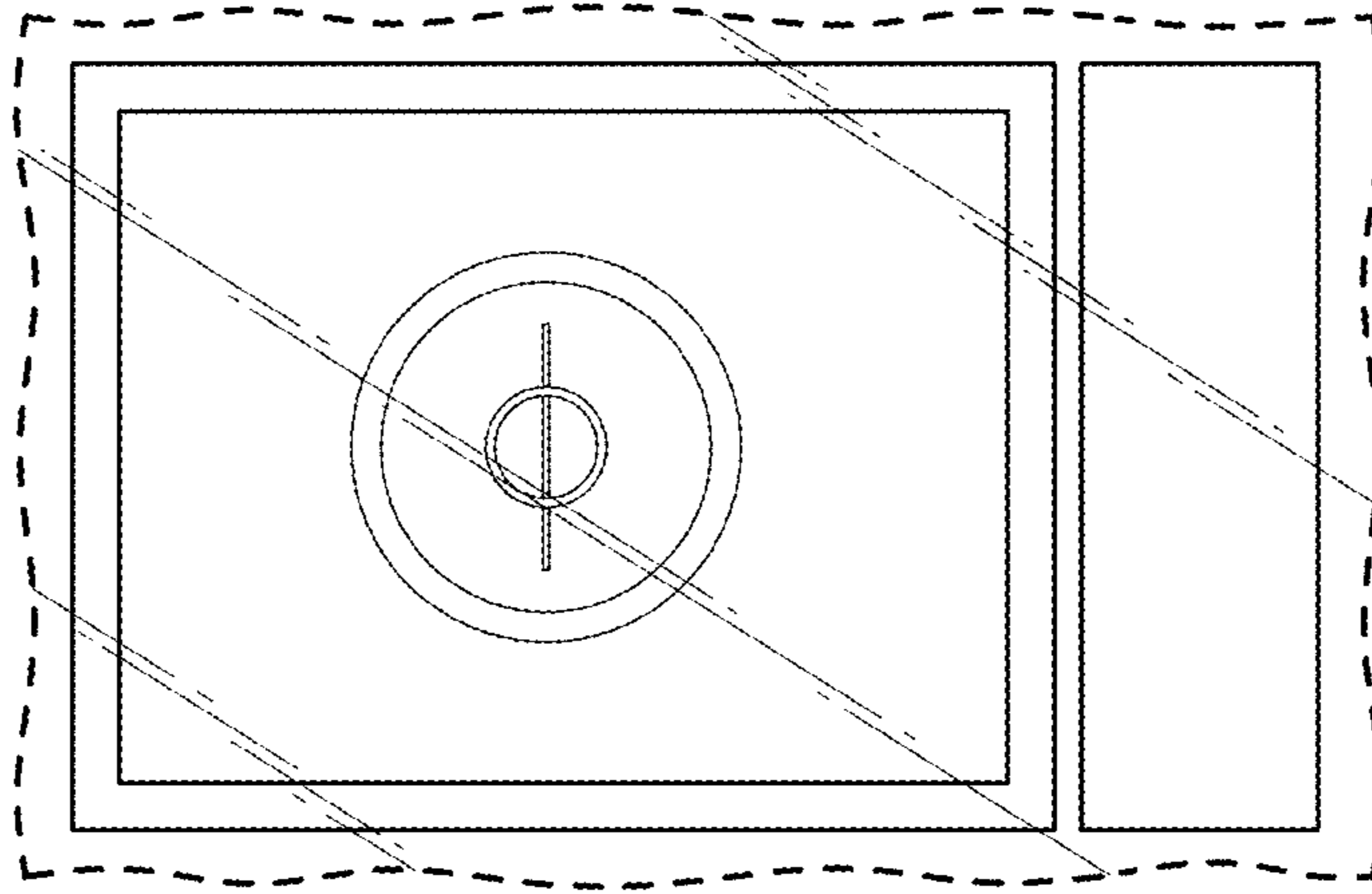


FIG. 6

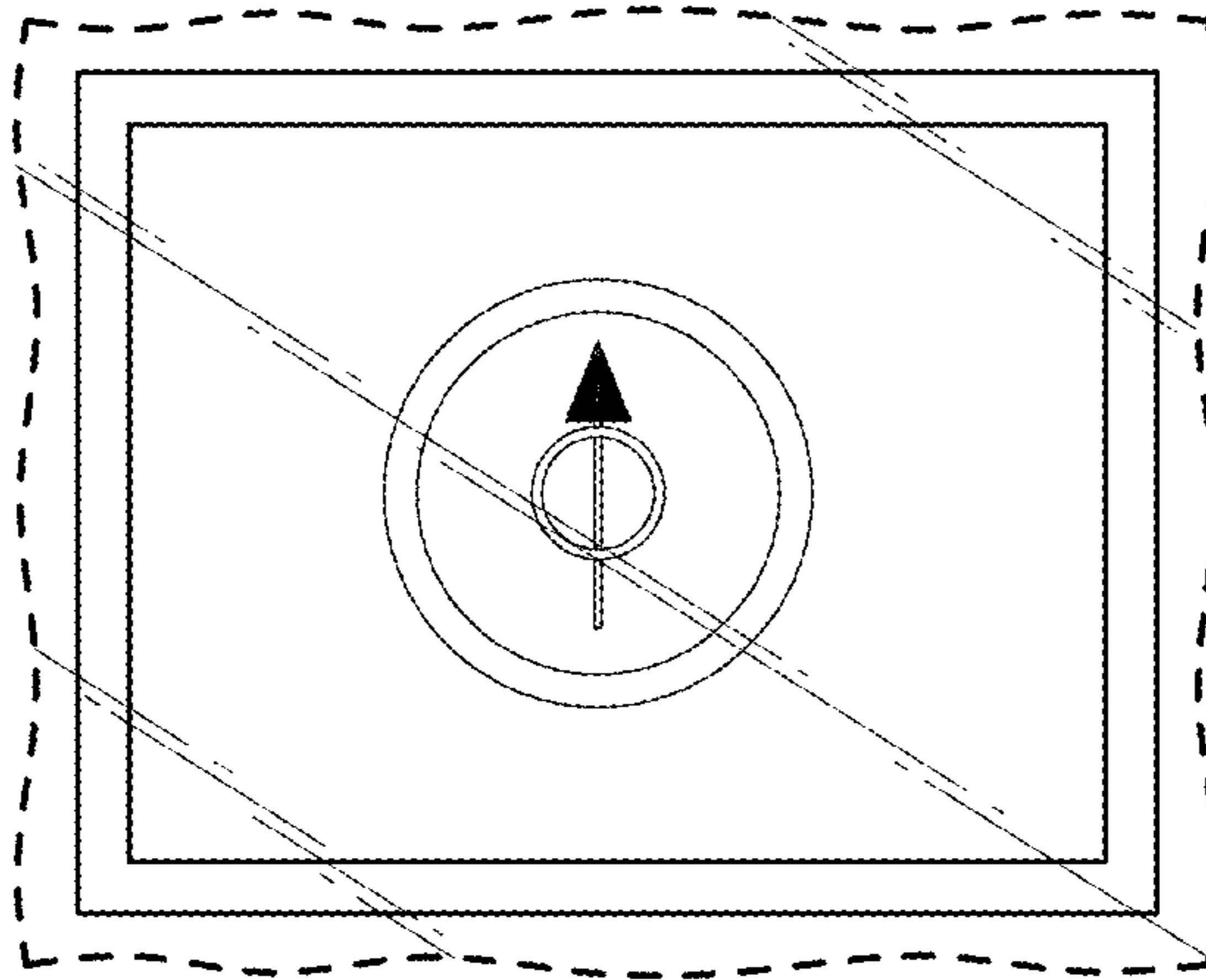


FIG. 5

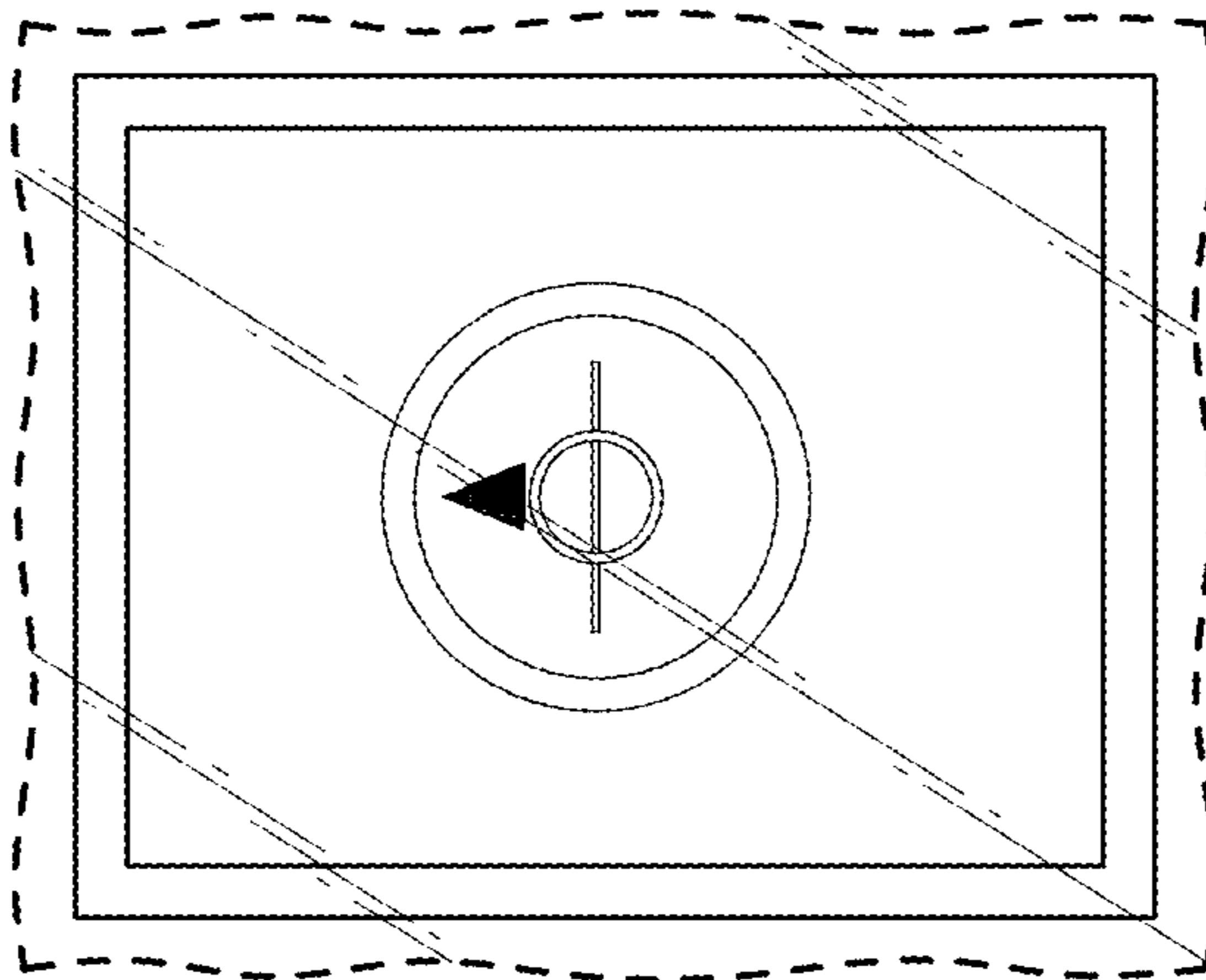


FIG. 4

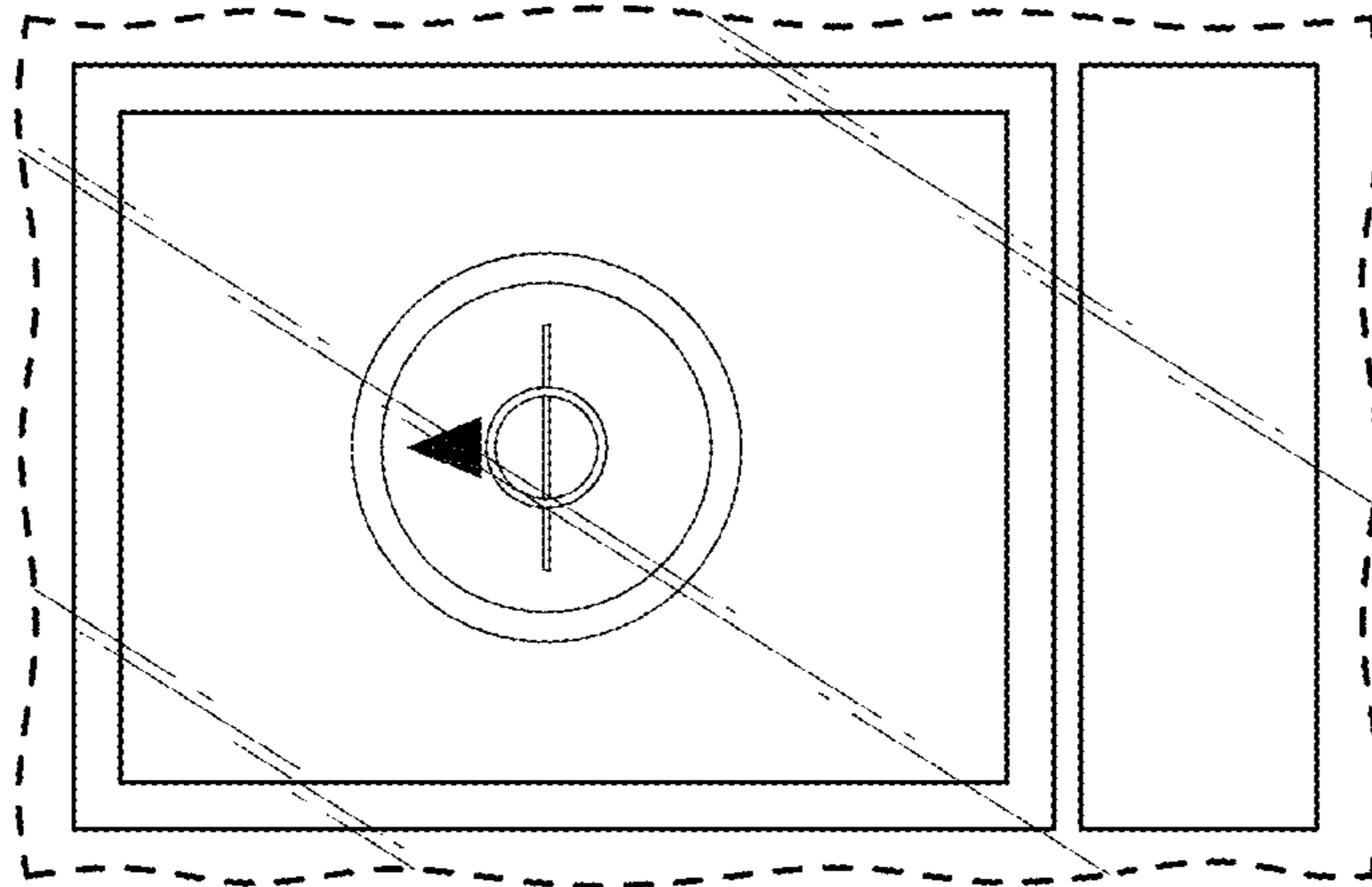


FIG. 9

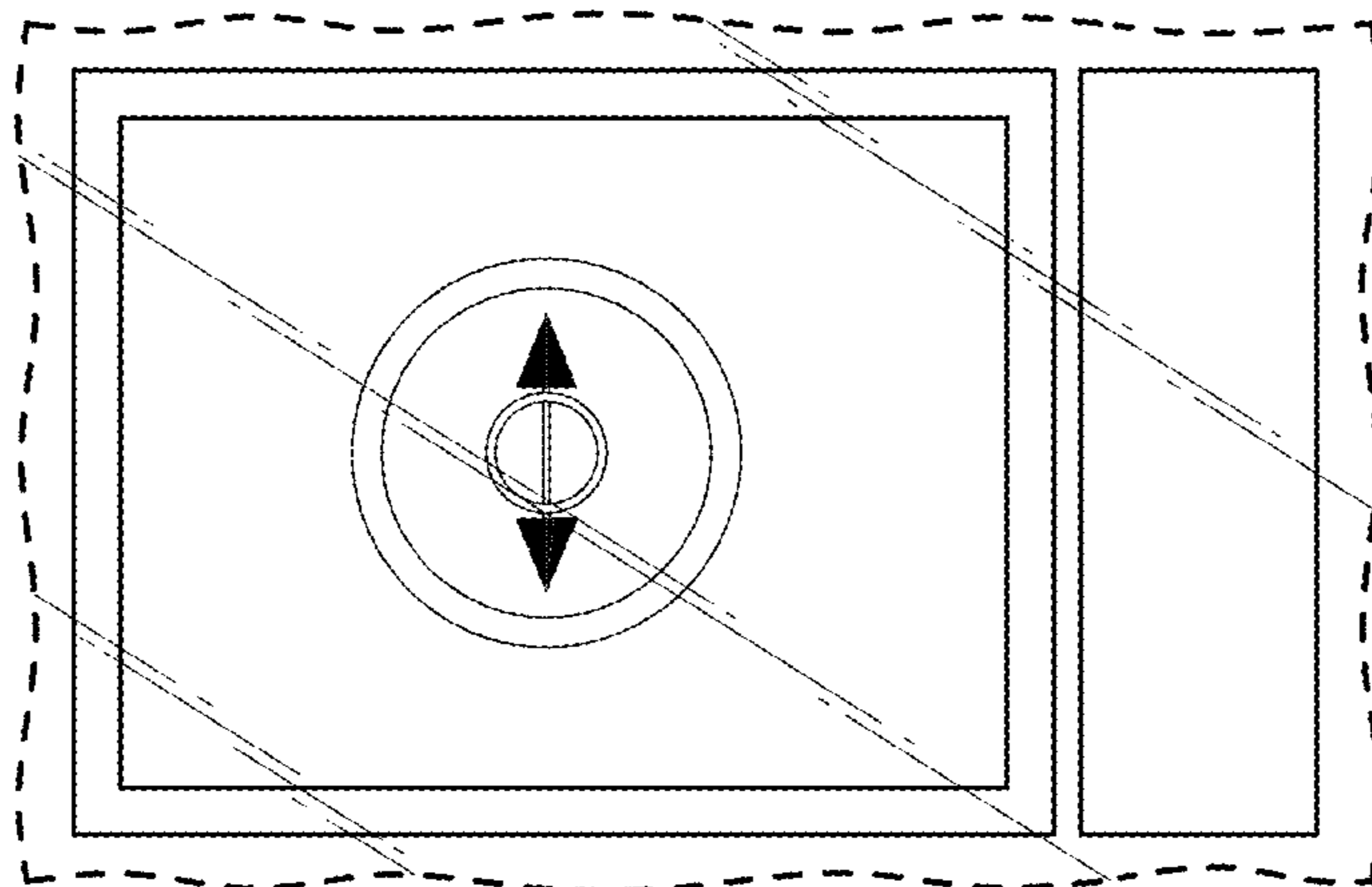


FIG. 8

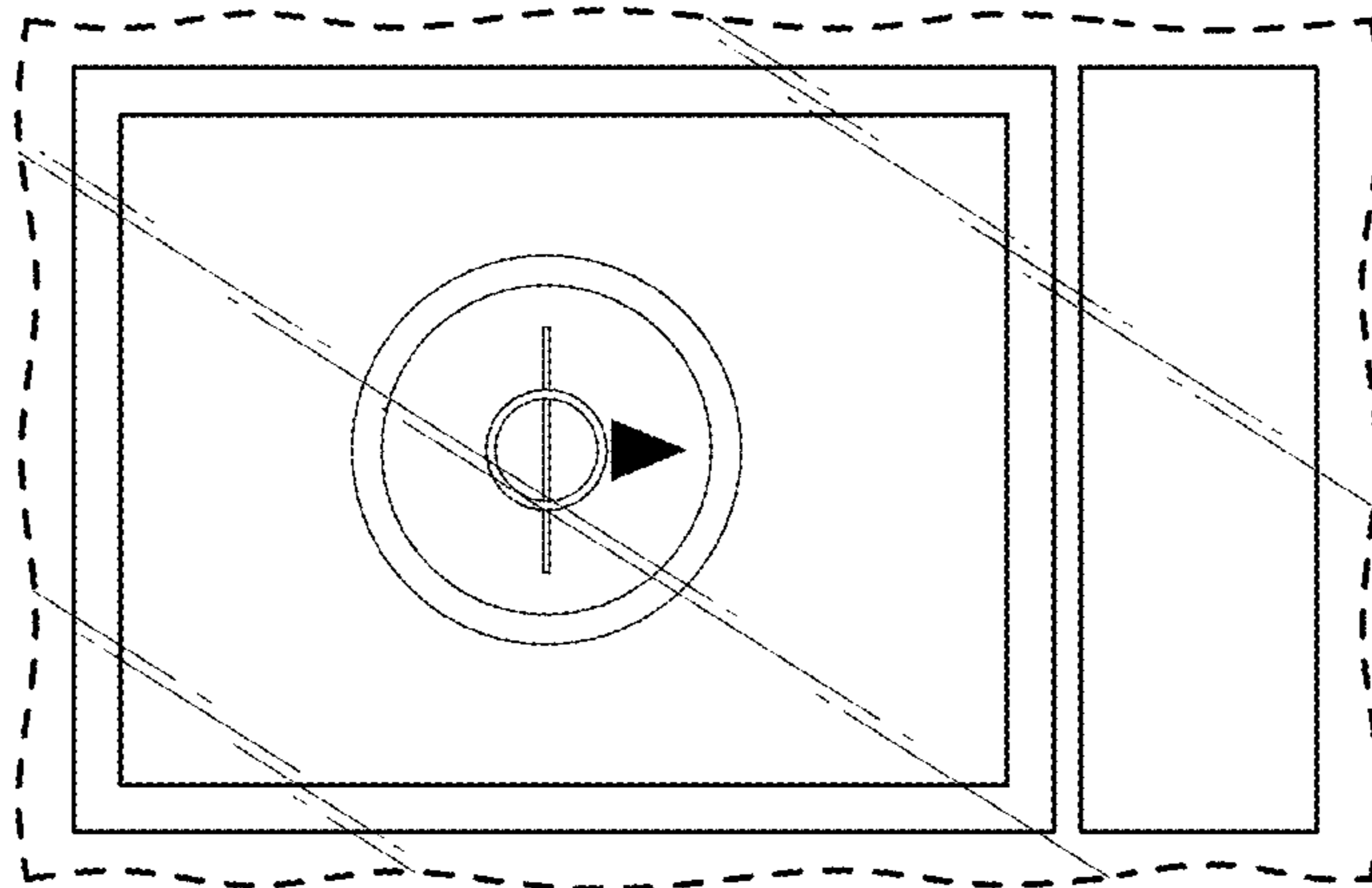


FIG. 7

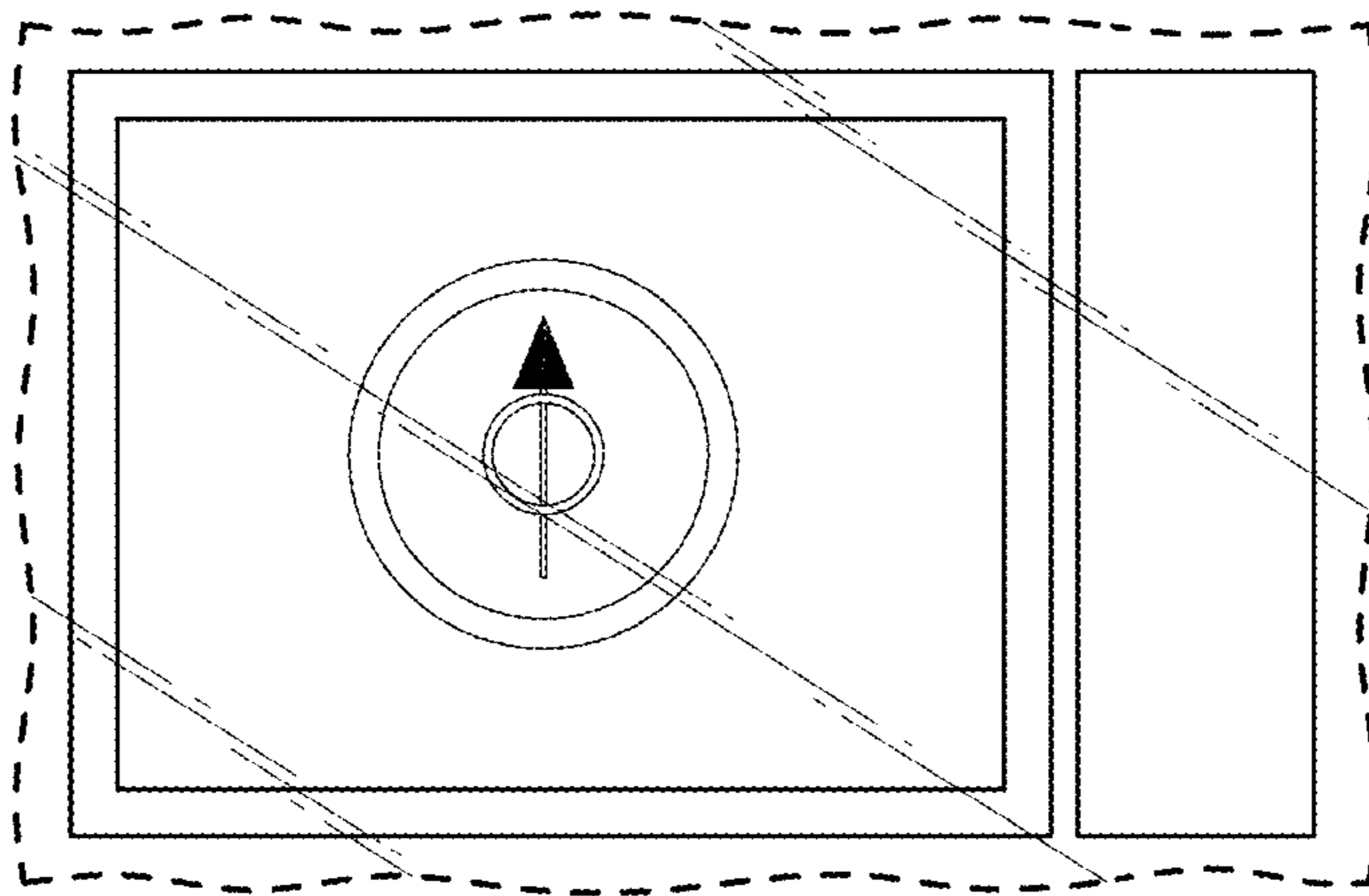


FIG. 10