



US00D784358S

(12) **United States Design Patent**
Chung et al.

(10) **Patent No.:** **US D784,358 S**

(45) **Date of Patent:** **** Apr. 18, 2017**

(54) **PORTABLE ACCESS DEVICE**

(71) Applicant: **Silicon Power Computer & Communications Inc.**, Taipei (TW)

(72) Inventors: **Chien-Chih Chung**, Taipei (TW);
Wen-Te Shen, Taipei (TW)

(73) Assignee: **SILICON POWER COMPUTER & COMMUNICATIONS INC.**, Neihu District, Taipei (TW)

(**) Term: **15 Years**

(21) Appl. No.: **29/559,744**

(22) Filed: **Mar. 31, 2016**

(51) **LOC (10) Cl.** **14-03**

(52) **U.S. Cl.**
USPC **D14/480.5**

(58) **Field of Classification Search**
USPC D14/480.1–480.7, 435.1, 411, 433, 436,
D14/484.1, 137, 155, 203.1–203.8, 240,
D14/242; D13/133, 154
CPC H05K 5/0278; G06K 19/07732
See application file for complete search history.

(56) **References Cited**

U.S. PATENT DOCUMENTS

| | | | | |
|--------------|--------|---------|-------|-----------|
| D542,788 S * | 5/2007 | Gutmann | | D14/480.5 |
| D572,248 S * | 7/2008 | Jen | | D14/480.5 |
| D610,134 S * | 2/2010 | Gotzen | | D14/188 |
| D610,156 S * | 2/2010 | Mudrick | | D14/480.5 |
| D624,553 S * | 9/2010 | Mamone | | D14/480.5 |

| | | | | |
|-------------------|---------|------------|-------|------------------------|
| D642,585 S * | 8/2011 | Lan | | D14/480.5 |
| D671,123 S * | 11/2012 | Ni | | D14/480.1 |
| D677,266 S * | 3/2013 | Chen | | D14/480.5 |
| D687,042 S * | 7/2013 | Yoneta | | D14/480.5 |
| D688,255 S * | 8/2013 | Daniel | | D14/480.4 |
| D711,389 S * | 8/2014 | Sun | | D14/480.5 |
| D720,761 S * | 1/2015 | Winzenried | | D14/480.5 |
| 2007/0111583 A1 * | 5/2007 | Cuellar | | H01R 13/447 439/353 |

* cited by examiner

Primary Examiner — Angela J Lee

(74) *Attorney, Agent, or Firm* — Idea Intellectual Limited;
Margaret A. Burke; Sam T. Yip

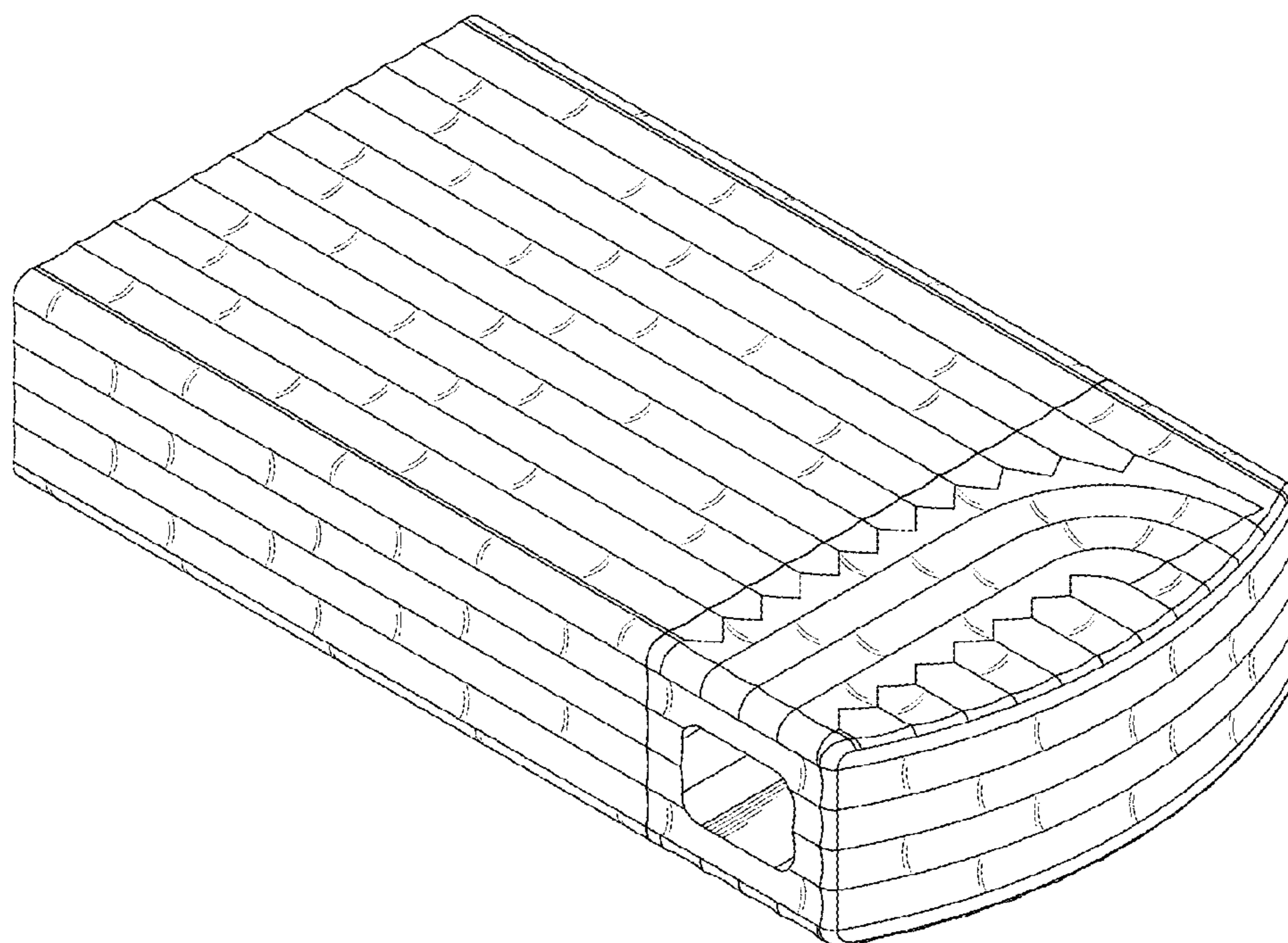
(57) **CLAIM**

The ornamental design for a portable access device, as shown and described.

DESCRIPTION

FIG. 1 is a perspective view of a portable access device showing my new design;
FIG. 2 is a front elevational view thereof;
FIG. 3 is a rear elevational view thereof;
FIG. 4 is a left elevational view thereof;
FIG. 5 is a right elevational view thereof;
FIG. 6 is a top view thereof;
FIG. 7 is a bottom view thereof; and,
FIG. 8 is a perspective view from another direction of the portable access device.

1 Claim, 8 Drawing Sheets



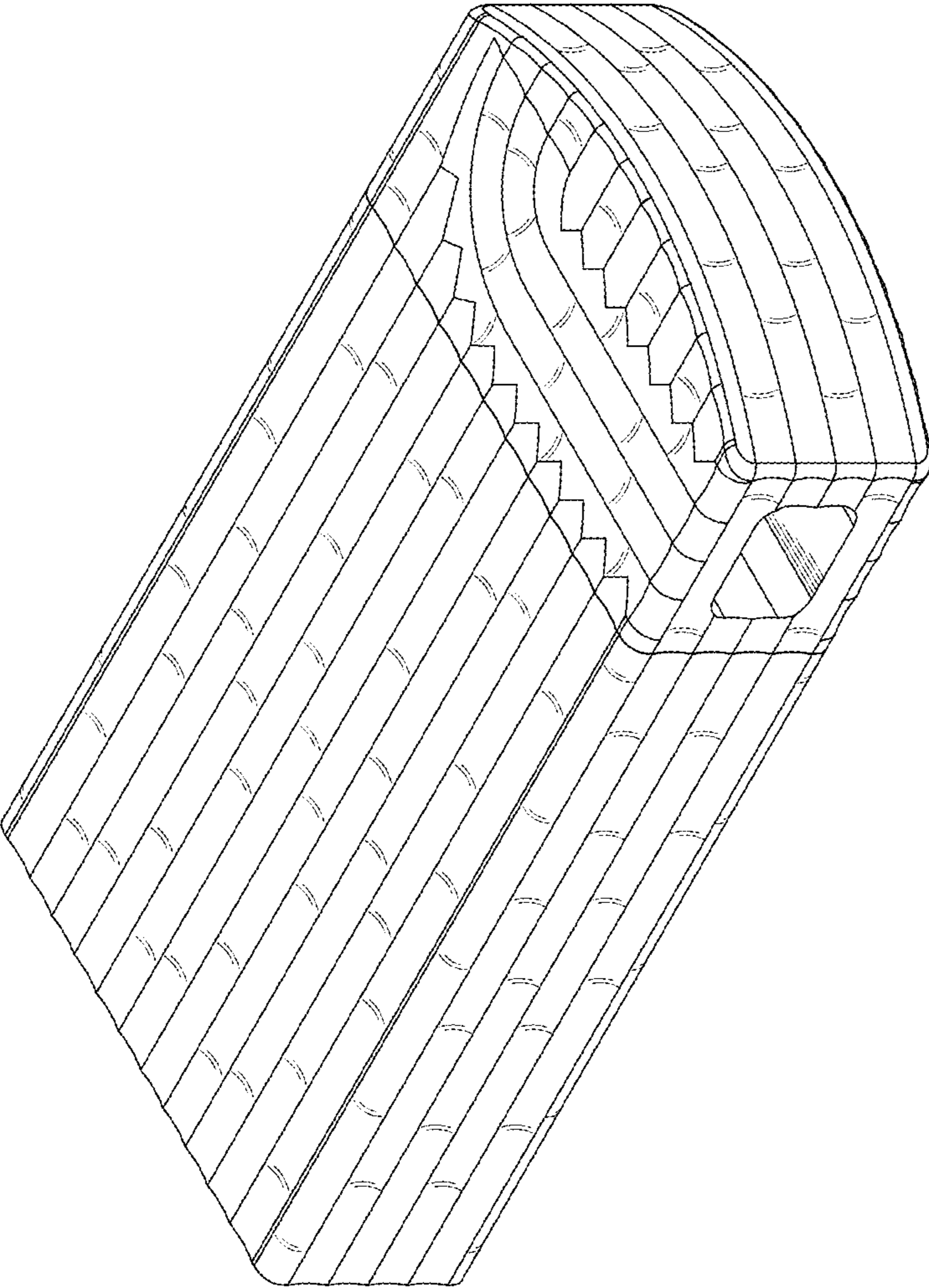


FIG. 1

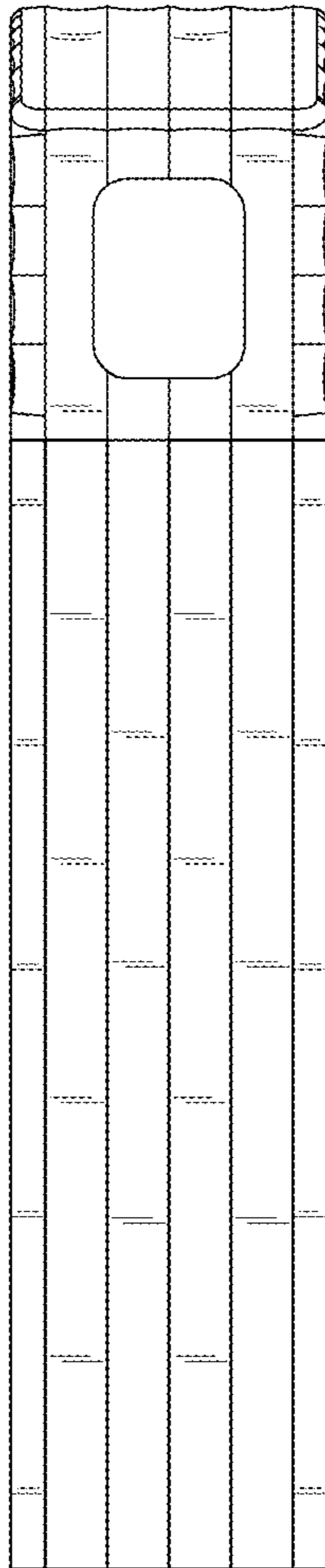


FIG. 2

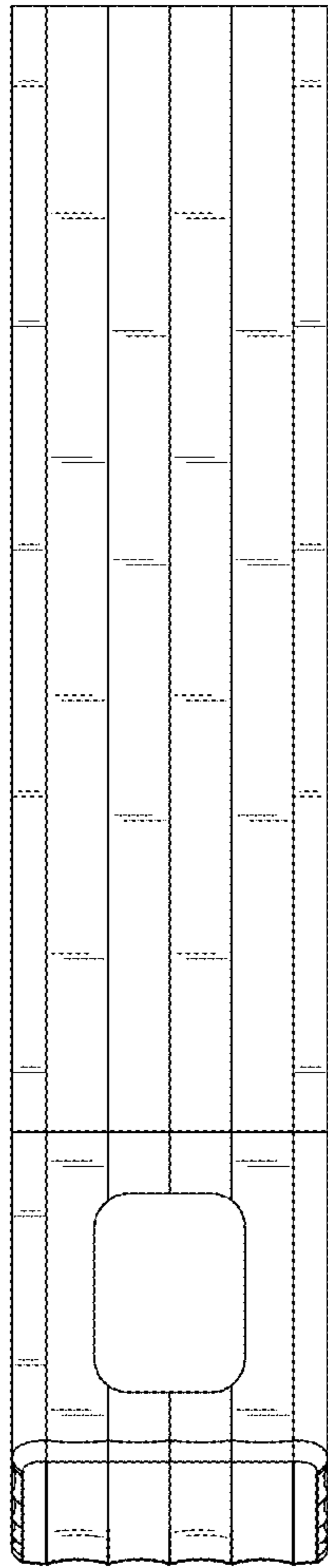


FIG. 3

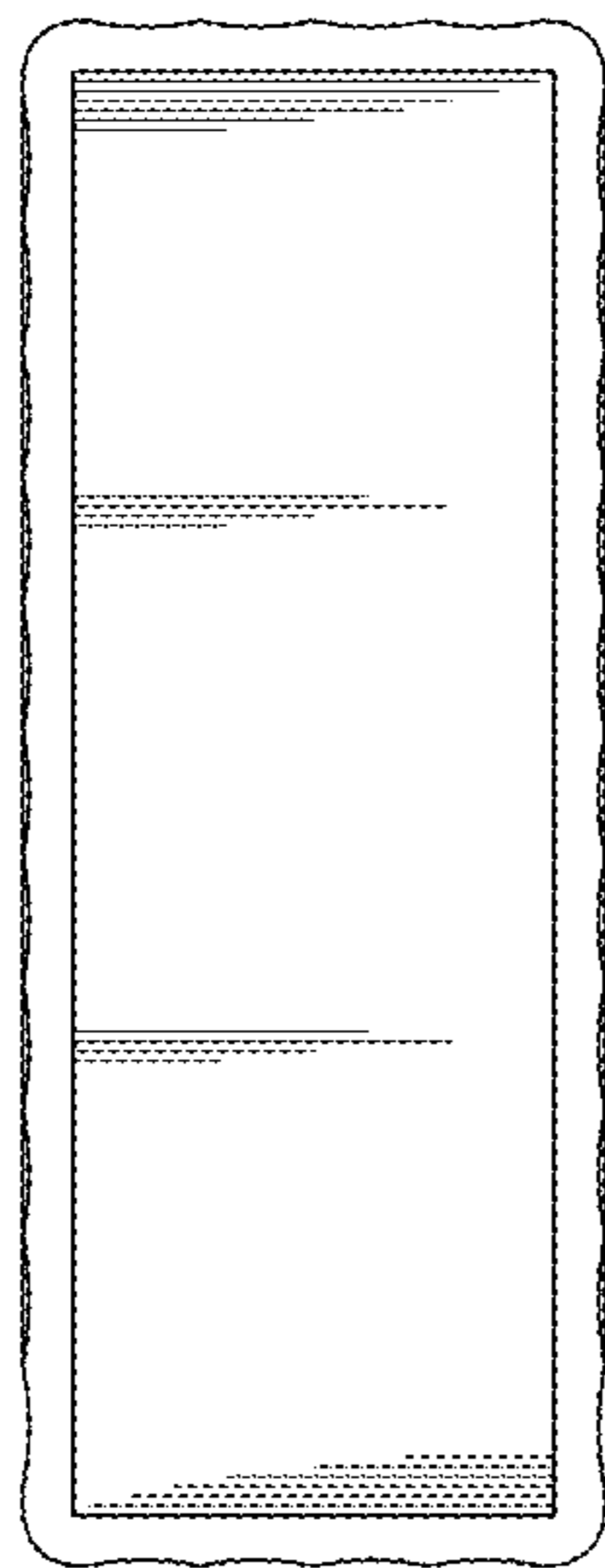


FIG. 4

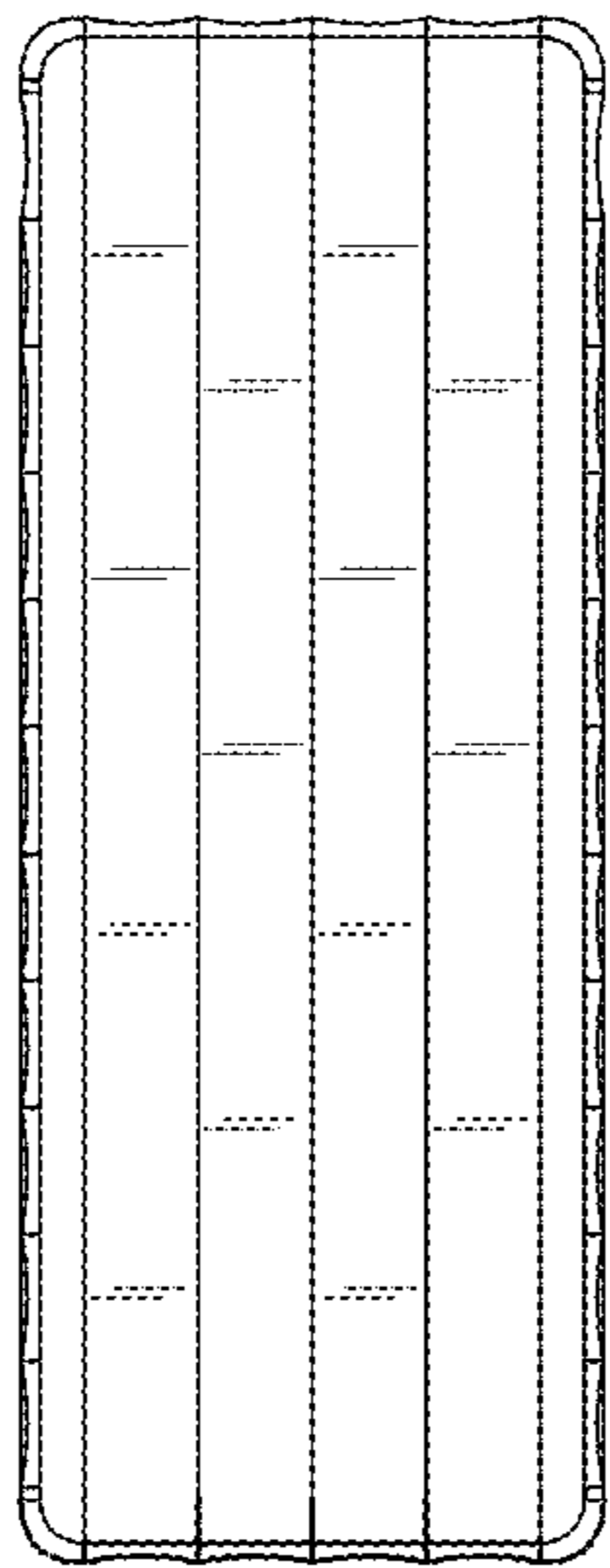


FIG. 5

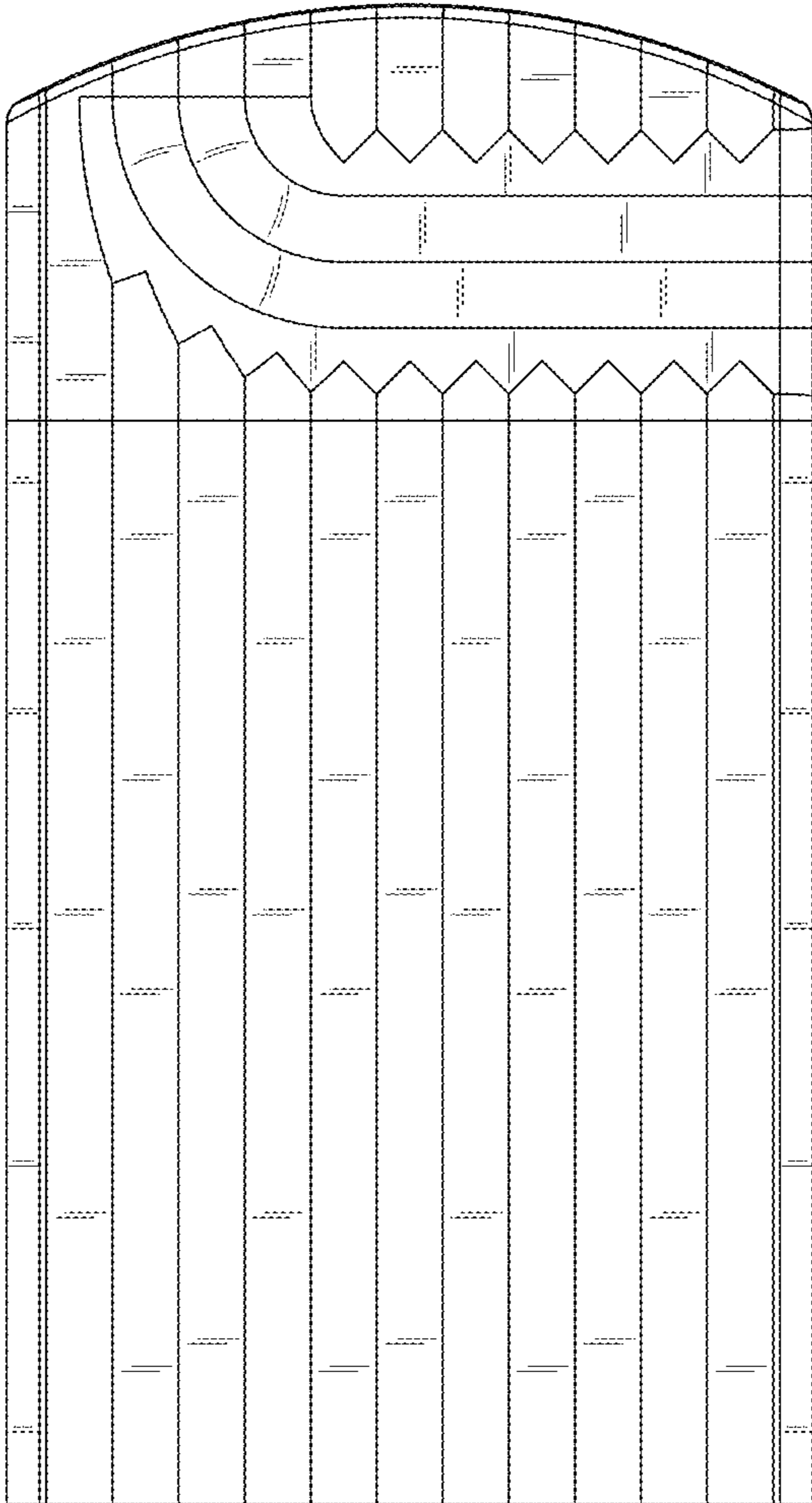


FIG. 6

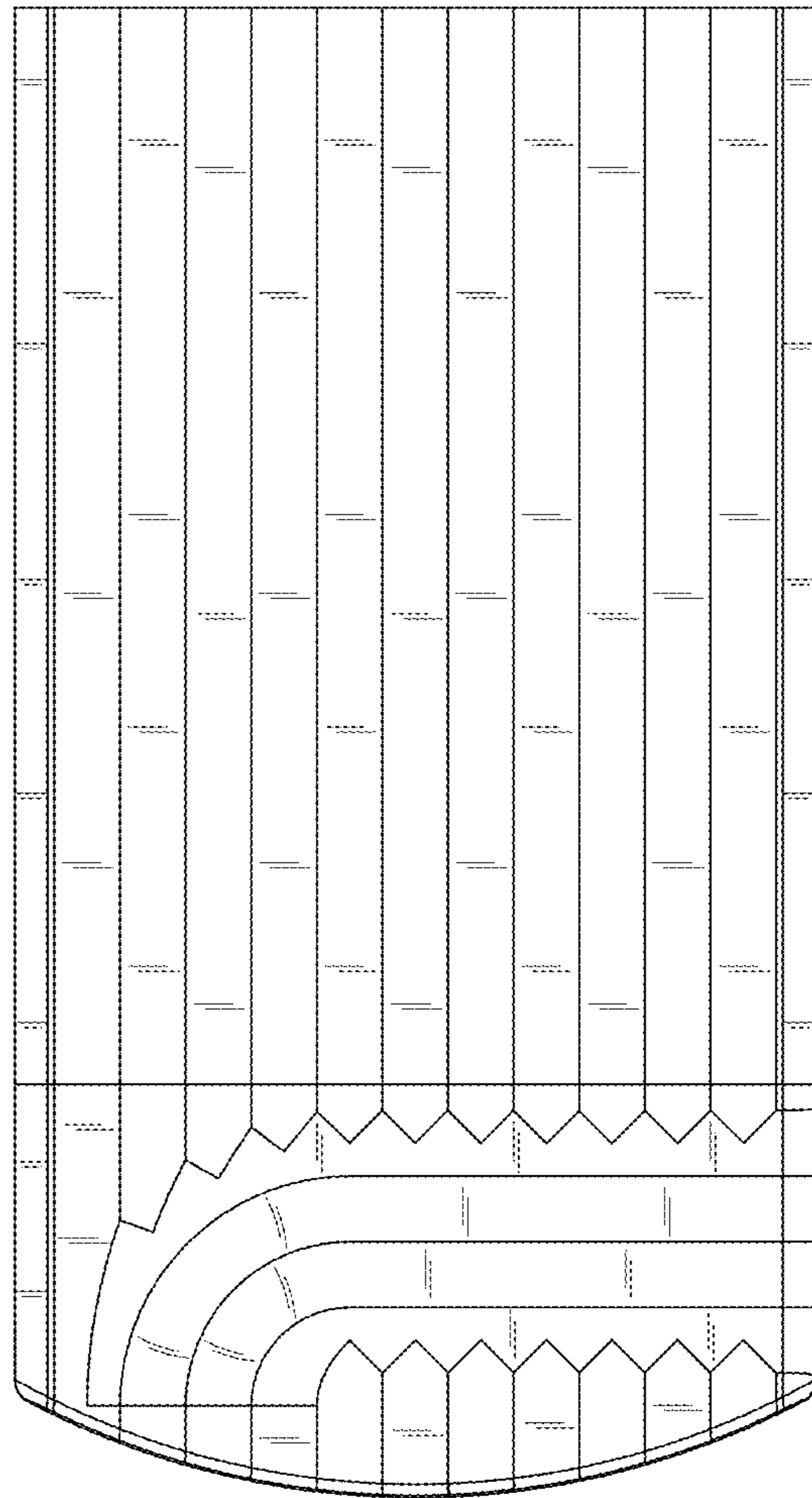


FIG. 7

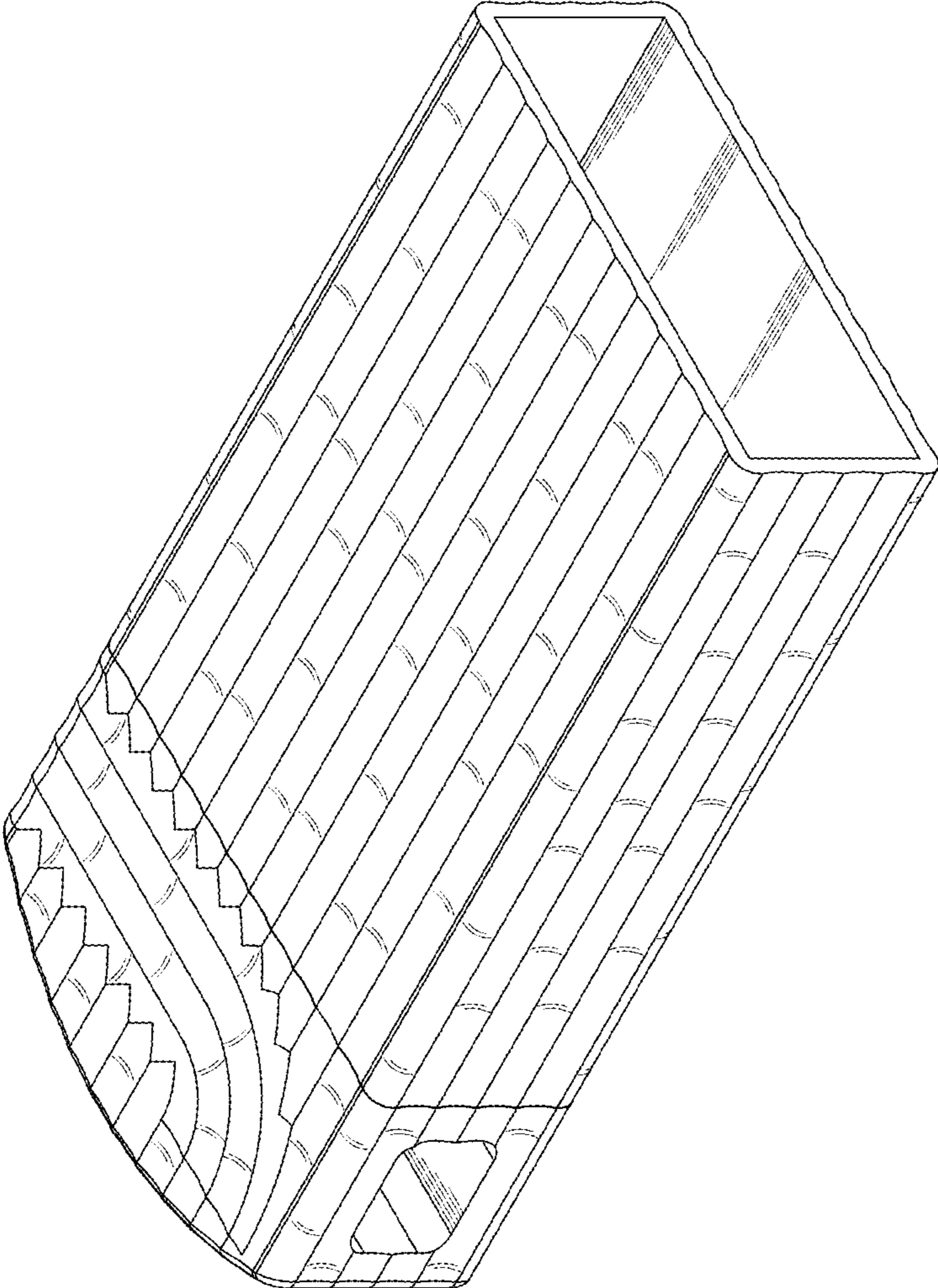


FIG. 8