



US00D784357S

(12) **United States Design Patent**  
**Mombauer**

(10) **Patent No.:** **US D784,357 S**

(45) **Date of Patent:** **\*\* Apr. 18, 2017**

(54) **USB STORAGE DEVICE**

(71) Applicant: **Meinhard Mombauer**, Cologne (DE)

(72) Inventor: **Meinhard Mombauer**, Cologne (DE)

(\*\*) Term: **15 Years**

(21) Appl. No.: **29/532,849**

(22) Filed: **Jul. 10, 2015**

(51) **LOC (10) Cl.** ..... **14-03**

(52) **U.S. Cl.**  
USPC ..... **D14/480.5**

(58) **Field of Classification Search**  
USPC ..... D14/480.1–480.7, 435.1, 411, 433, 436,  
D14/484.1, 137, 155, 203.1–203.8, 240,  
D14/242; D13/133, 154  
CPC ..... H05K 5/0278; G06K 19/07732  
See application file for complete search history.

(56) **References Cited**

**U.S. PATENT DOCUMENTS**

D492,307 S *	6/2004	Aqqad	.....	D14/480.5
D520,996 S *	5/2006	Deng	.....	D14/480.5
D542,788 S *	5/2007	Gutmann	.....	D14/480.5
D555,158 S *	11/2007	Lo	.....	D14/480.5
D583,816 S *	12/2008	Guccione	.....	D14/480.5

D610,134 S *	2/2010	Gotzen	.....	D14/188
D610,156 S *	2/2010	Mudrick	.....	D14/480.5
D642,585 S *	8/2011	Lan	.....	D14/480.5
D670,712 S *	11/2012	Bolotin	.....	D14/480.5
D688,255 S *	8/2013	Daniel	.....	D14/480.4
D711,389 S *	8/2014	Sun	.....	D14/480.5
D729,277 S *	5/2015	Uchida	.....	D14/435.1
2004/0233645 A1 *	11/2004	Chen	.....	G06F 1/1632 361/737

\* cited by examiner

*Primary Examiner* — Angela J Lee

(74) *Attorney, Agent, or Firm* — Panitch Schwarze  
Belisario & Nadel LLP

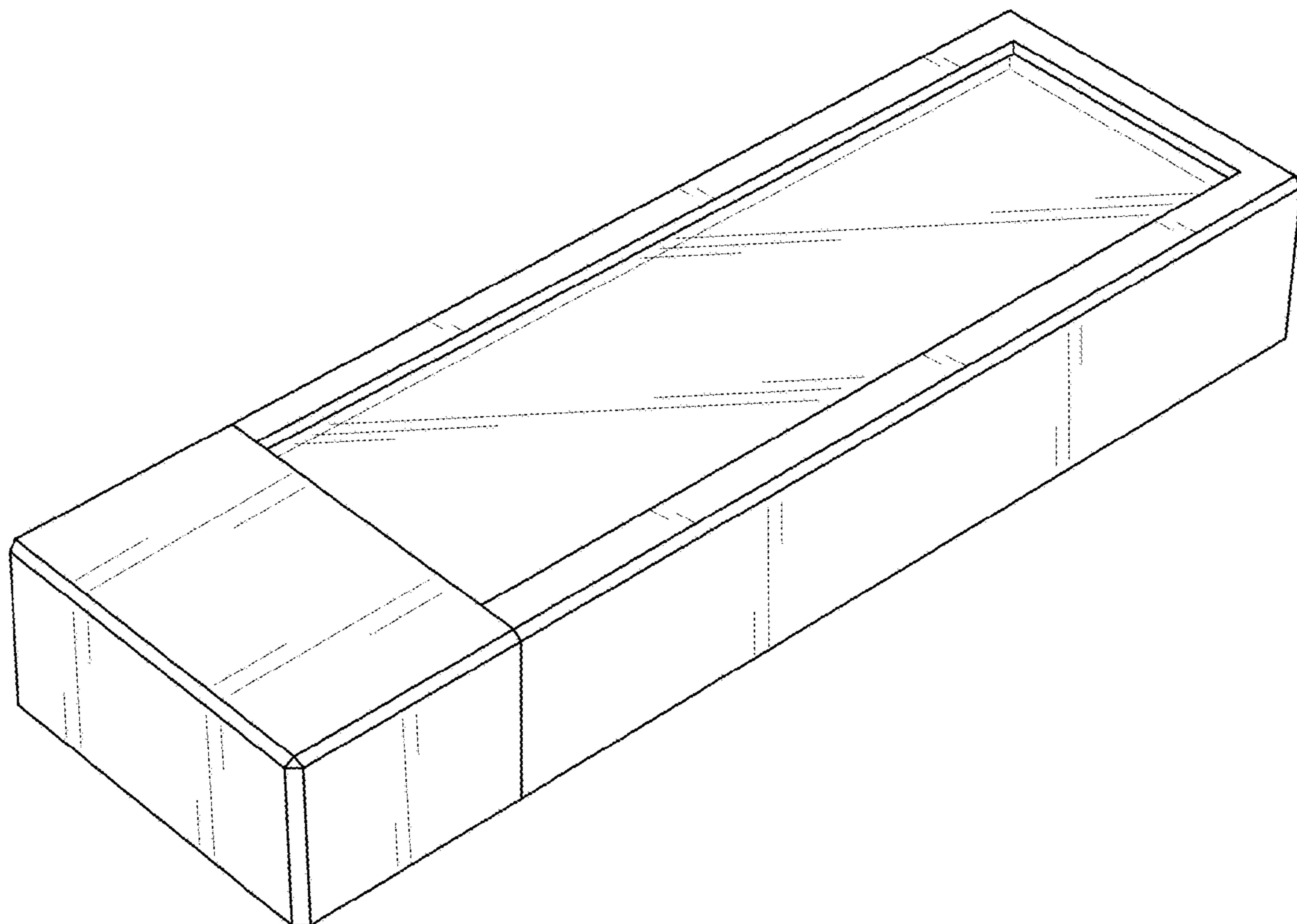
(57) **CLAIM**

The ornamental design for a USB storage device, as shown and described.

**DESCRIPTION**

FIG. 1 is a perspective view of the USB storage device;  
FIG. 2 is a front elevational view thereof;  
FIG. 3 is a rear elevational view thereof;  
FIG. 4 is a left side elevational view thereof;  
FIG. 5 is a right side elevational view thereof;  
FIG. 6 is a top plan view thereof;  
FIG. 7 is a bottom plan view thereof;  
FIG. 8 is a further perspective view thereof; and,  
FIG. 9 is yet a further perspective view thereof.

**1 Claim, 7 Drawing Sheets**



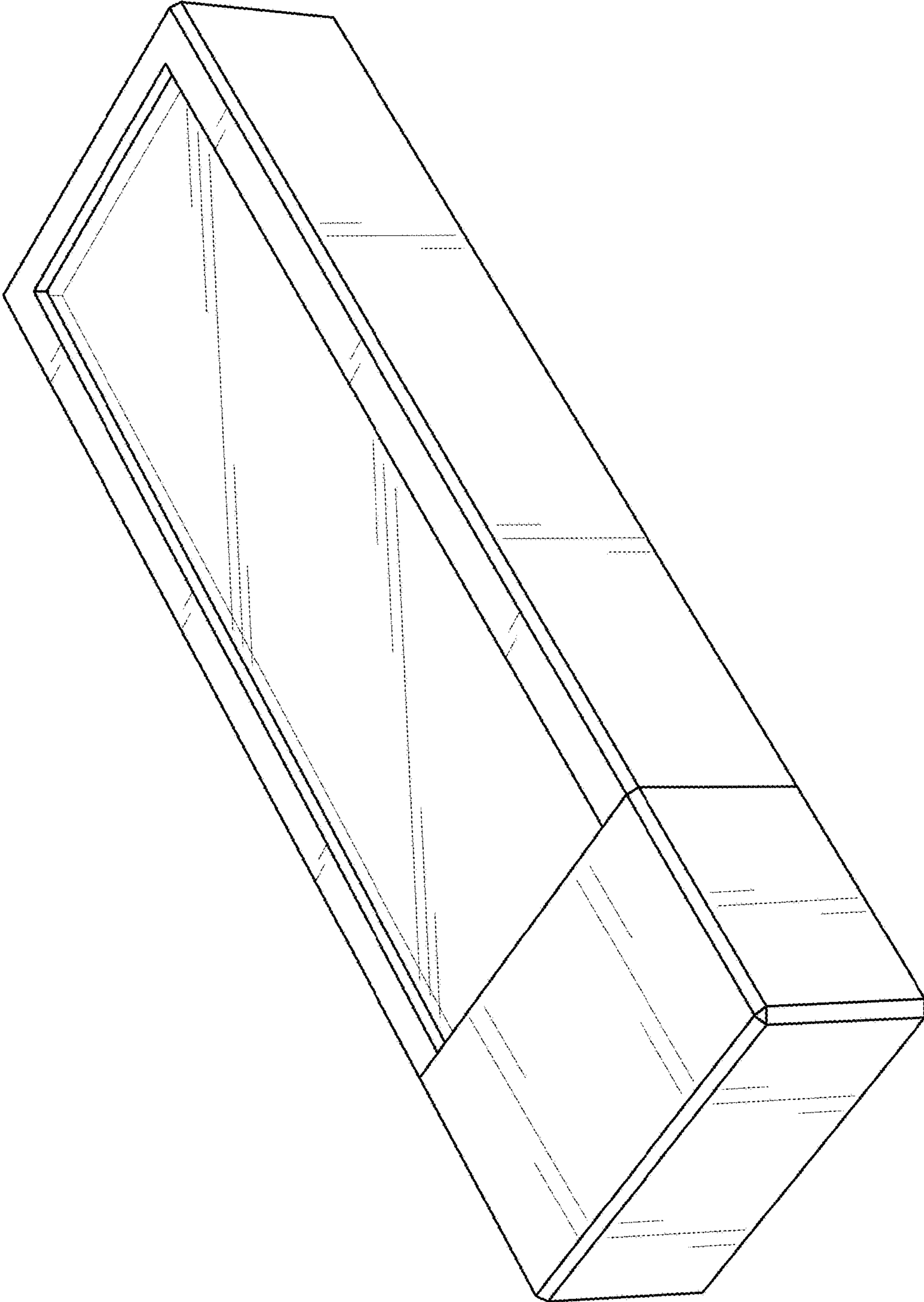


FIG. 1

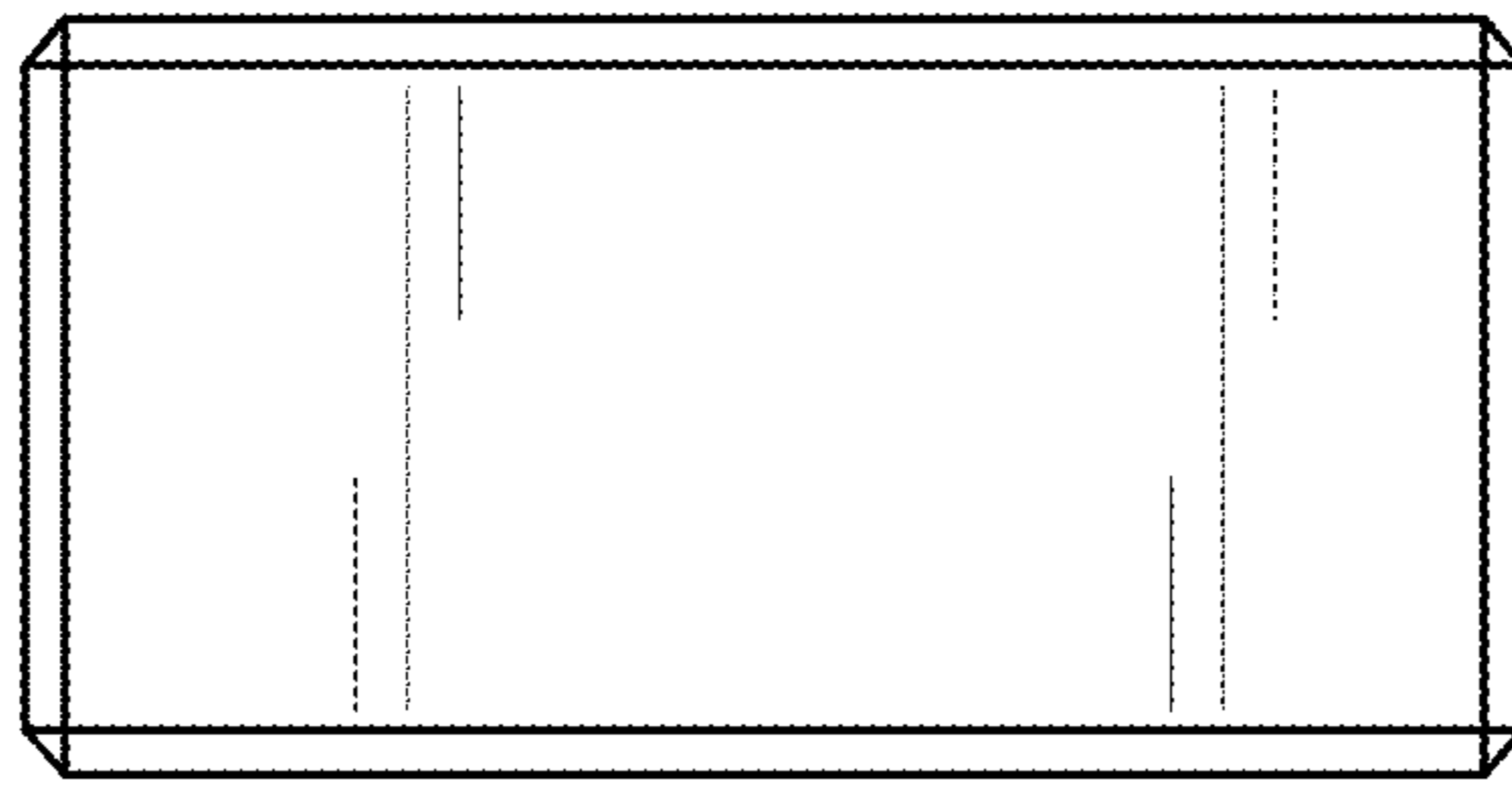


FIG. 2

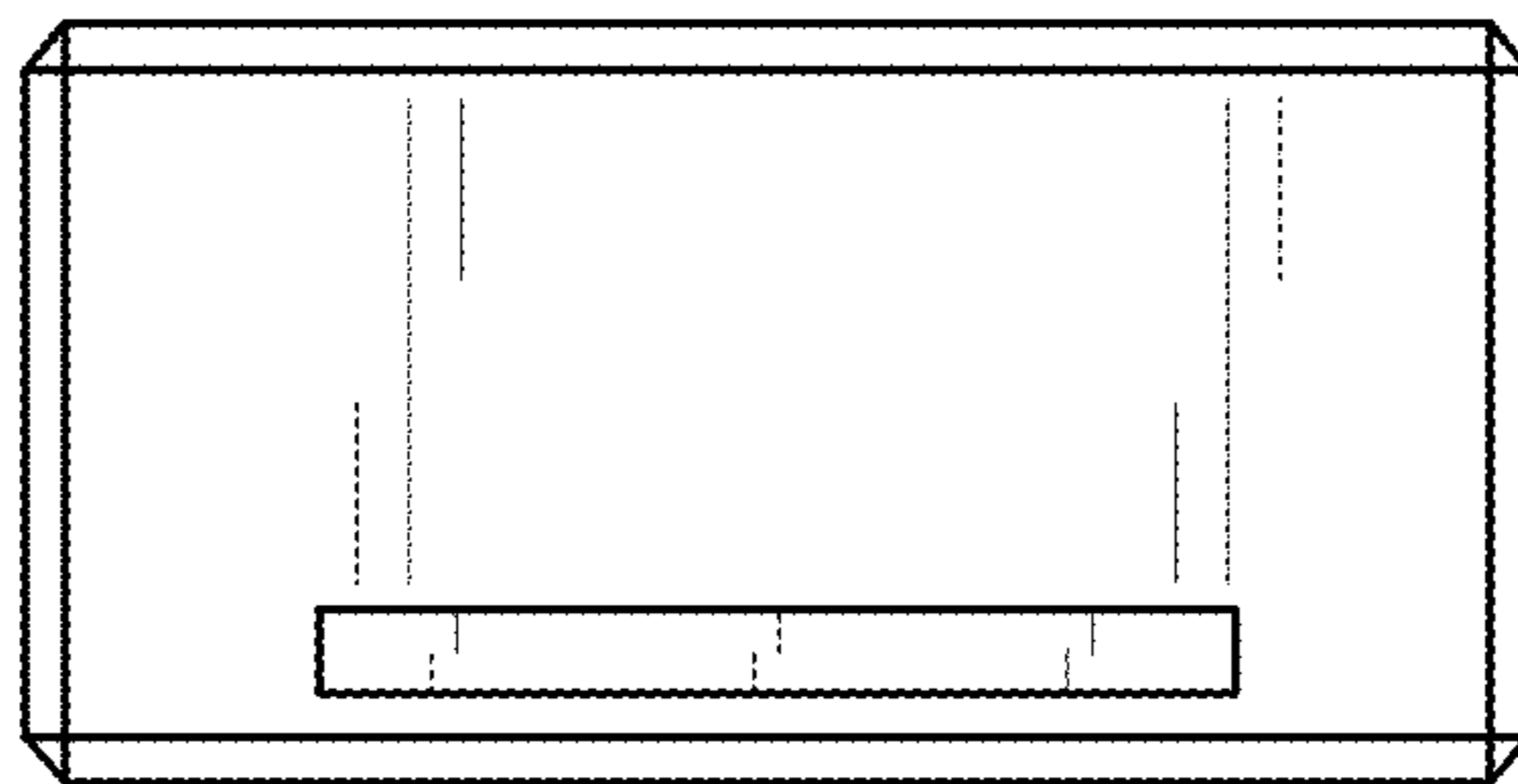


FIG. 3

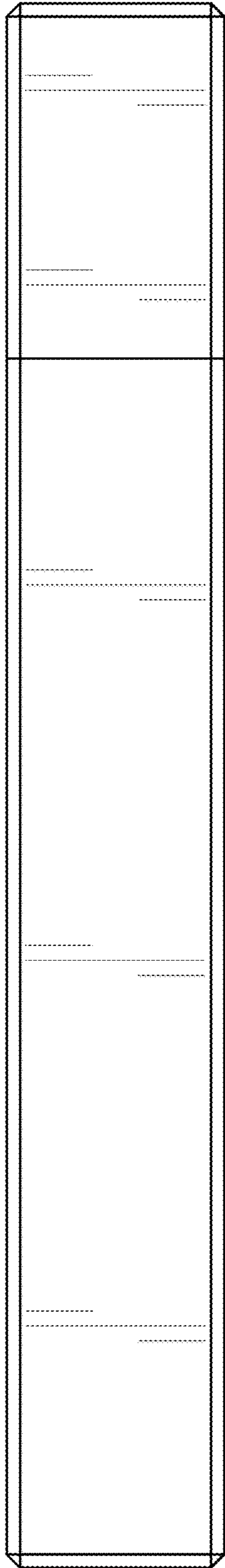


FIG. 4

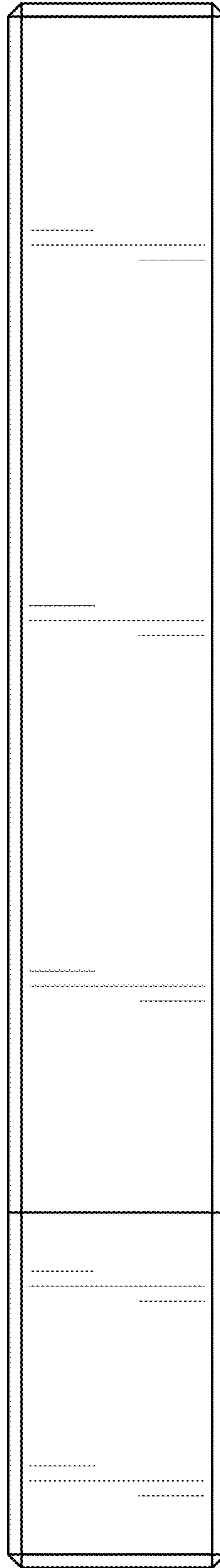


FIG. 5

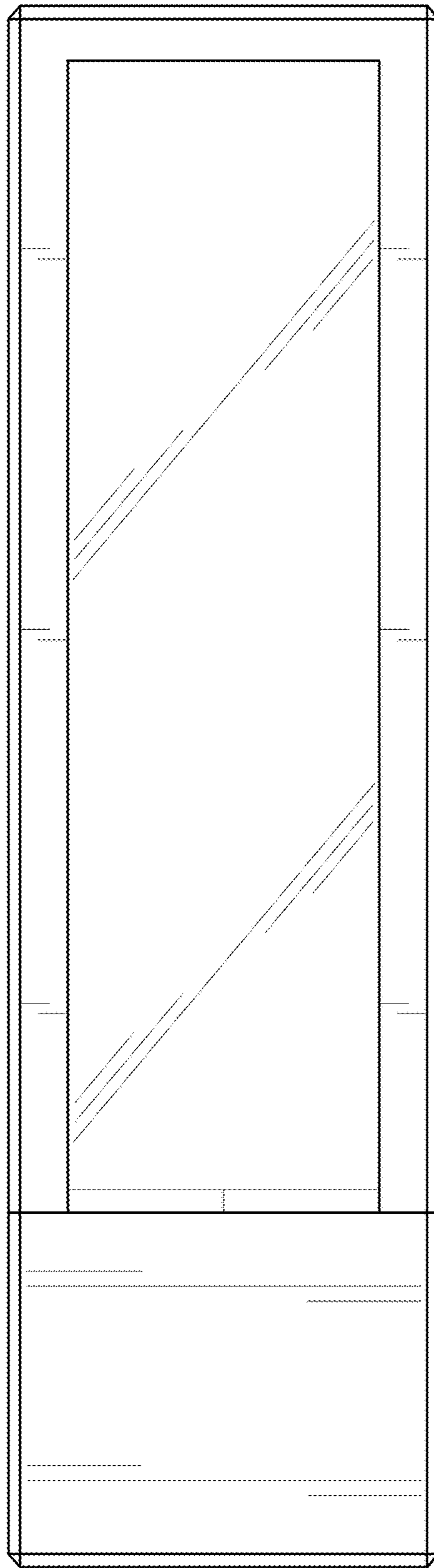


FIG. 6

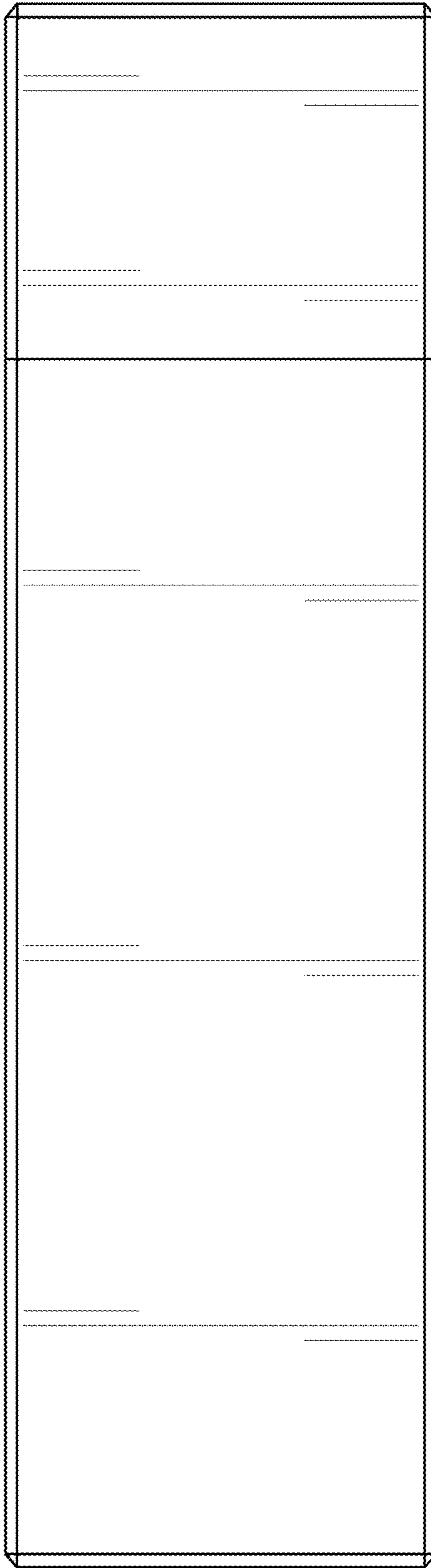


FIG. 7

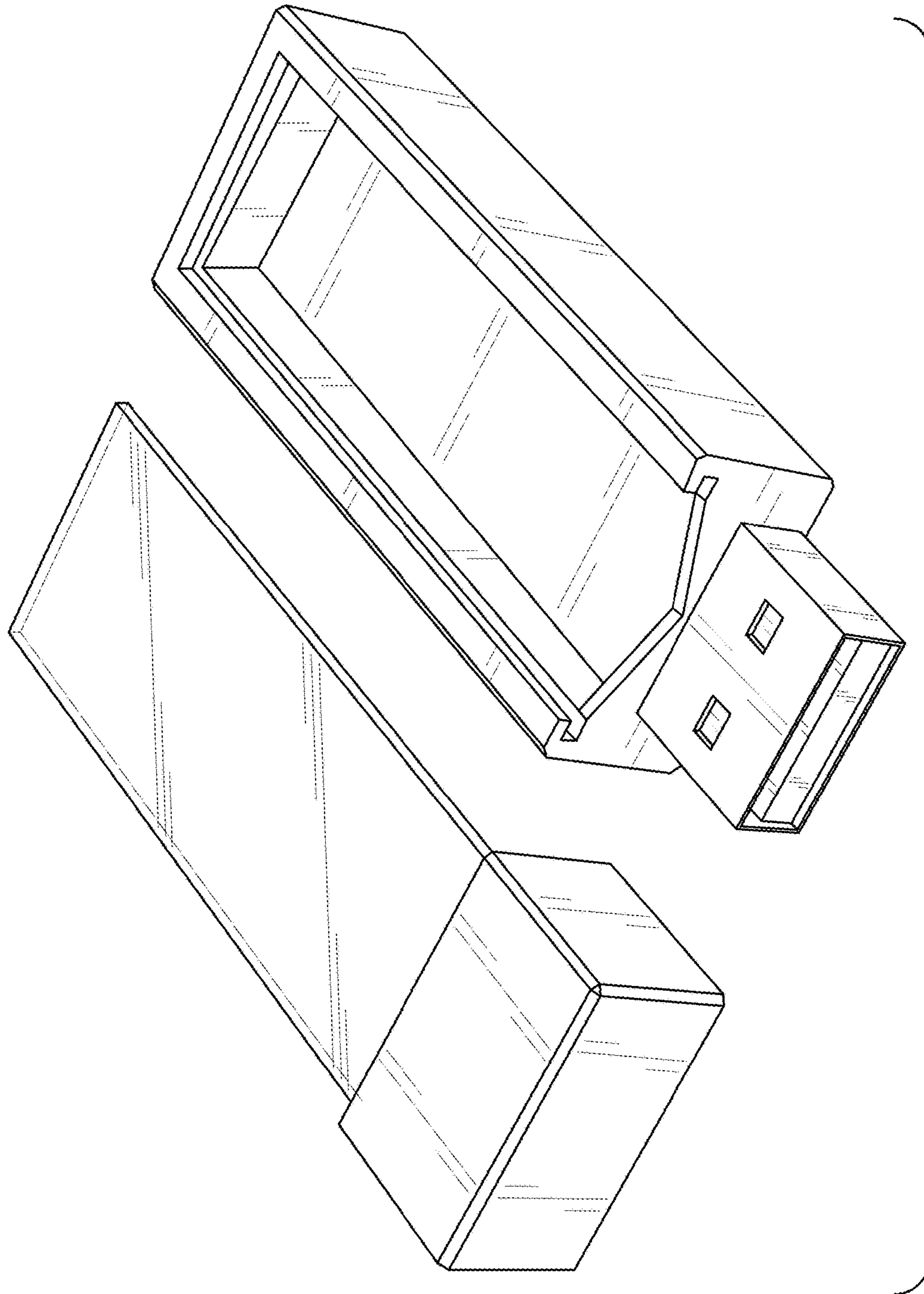


FIG. 8

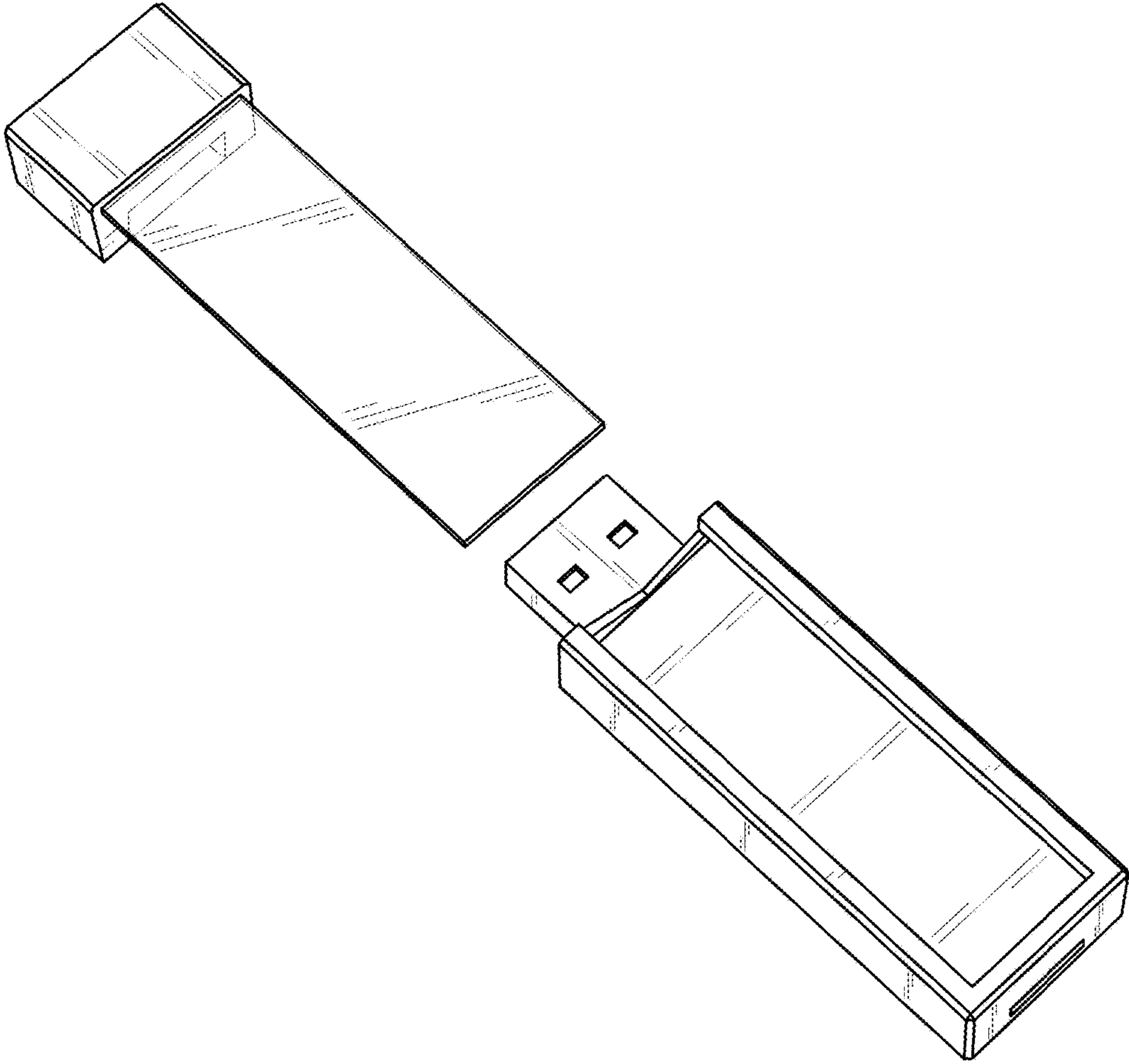


FIG. 9