



US00D784356S

(12) **United States Design Patent**
Luo

(10) **Patent No.:** **US D784,356 S**

(45) **Date of Patent:** **** Apr. 18, 2017**

(54) **USB FLASH DISK**

(71) Applicant: **Creative Memory Technology Limited**, Mongkok, KL (HK)

(72) Inventor: **Zhihua Luo**, Changsha (CN)

(73) Assignee: **Creative Memory Technology Limited**, Hong Kong (CN)

(**) Term: **15 Years**

(21) Appl. No.: **29/553,747**

(22) Filed: **Feb. 4, 2016**

(51) **LOC (10) Cl.** **14-03**

(52) **U.S. Cl.**
USPC **D14/480.1**

(58) **Field of Classification Search**
USPC D14/480.1–480.7, 435.1, 411, 433, 436,
D14/484.1, 137, 155, 203.1–203.8, 240,
D14/242; D13/133, 154
CPC H05K 5/0278; G06K 19/07732
See application file for complete search history.

(56) **References Cited**

U.S. PATENT DOCUMENTS

D487,458 S	*	3/2004	Gentil	D14/480.5
D514,103 S	*	1/2006	Huang	D14/480.6
D588,147 S	*	3/2009	Finlayson	D14/480.5
D603,864 S	*	11/2009	Borislow	D14/435.1

D618,694 S	*	6/2010	Andre	D14/480.6
D619,140 S	*	7/2010	Sin	D14/480.6
D624,747 S	*	10/2010	McSweyn	D14/480.5
D635,142 S	*	3/2011	Borislow	D14/435.1
D645,050 S	*	9/2011	Faranda	D13/108
D693,805 S	*	11/2013	Sip	D14/358
D727,360 S	*	4/2015	Peng	D14/203.1
D743,398 S	*	11/2015	Smith	D14/433
D768,607 S	*	10/2016	Altonen	D14/240

* cited by examiner

Primary Examiner — Angela J Lee

(74) *Attorney, Agent, or Firm* — Bay State IP, LLC

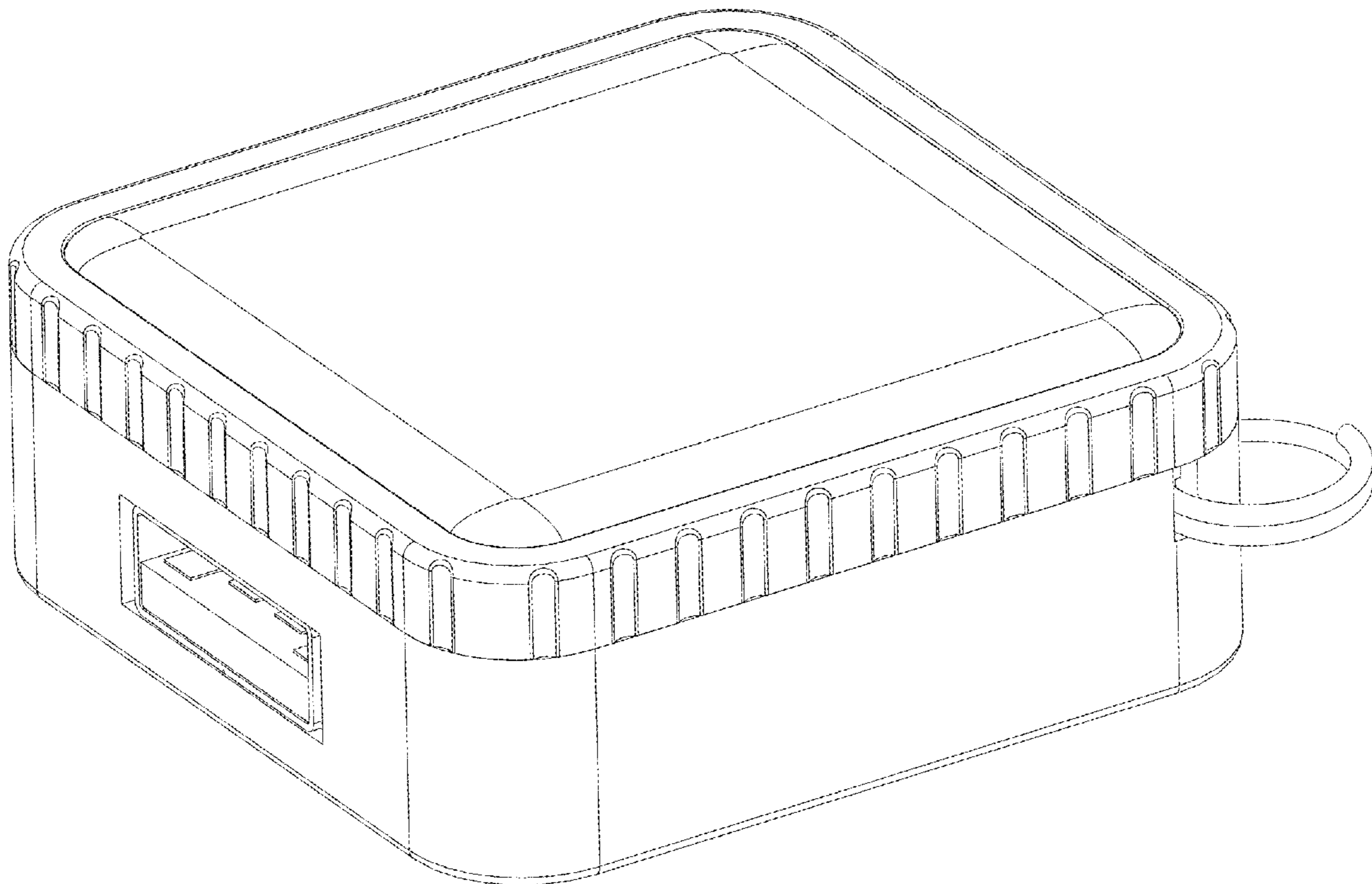
(57) **CLAIM**

The ornamental design for a USB flash disk, as shown and described.

DESCRIPTION

FIG. 1 is a front perspective view of a USB flash disk showing my new design;
FIG. 2 is a rear perspective view thereof;
FIG. 3 is a front view thereof;
FIG. 4 is a rear view thereof;
FIG. 5 is a top view thereof;
FIG. 6 is a bottom view thereof;
FIG. 7 is a left view thereof; and,
FIG. 8 is a right view thereof.

1 Claim, 8 Drawing Sheets



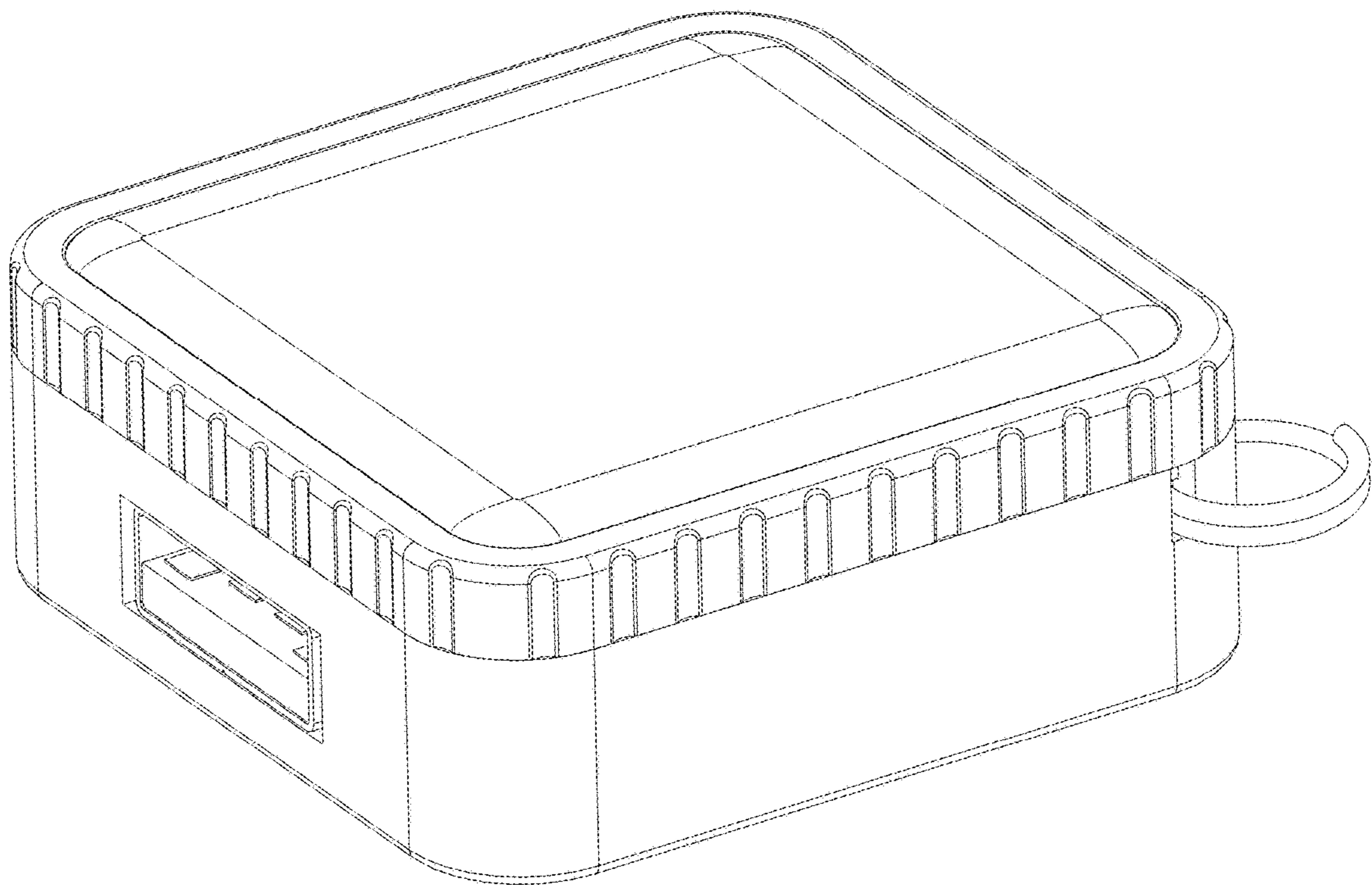


FIG. 1

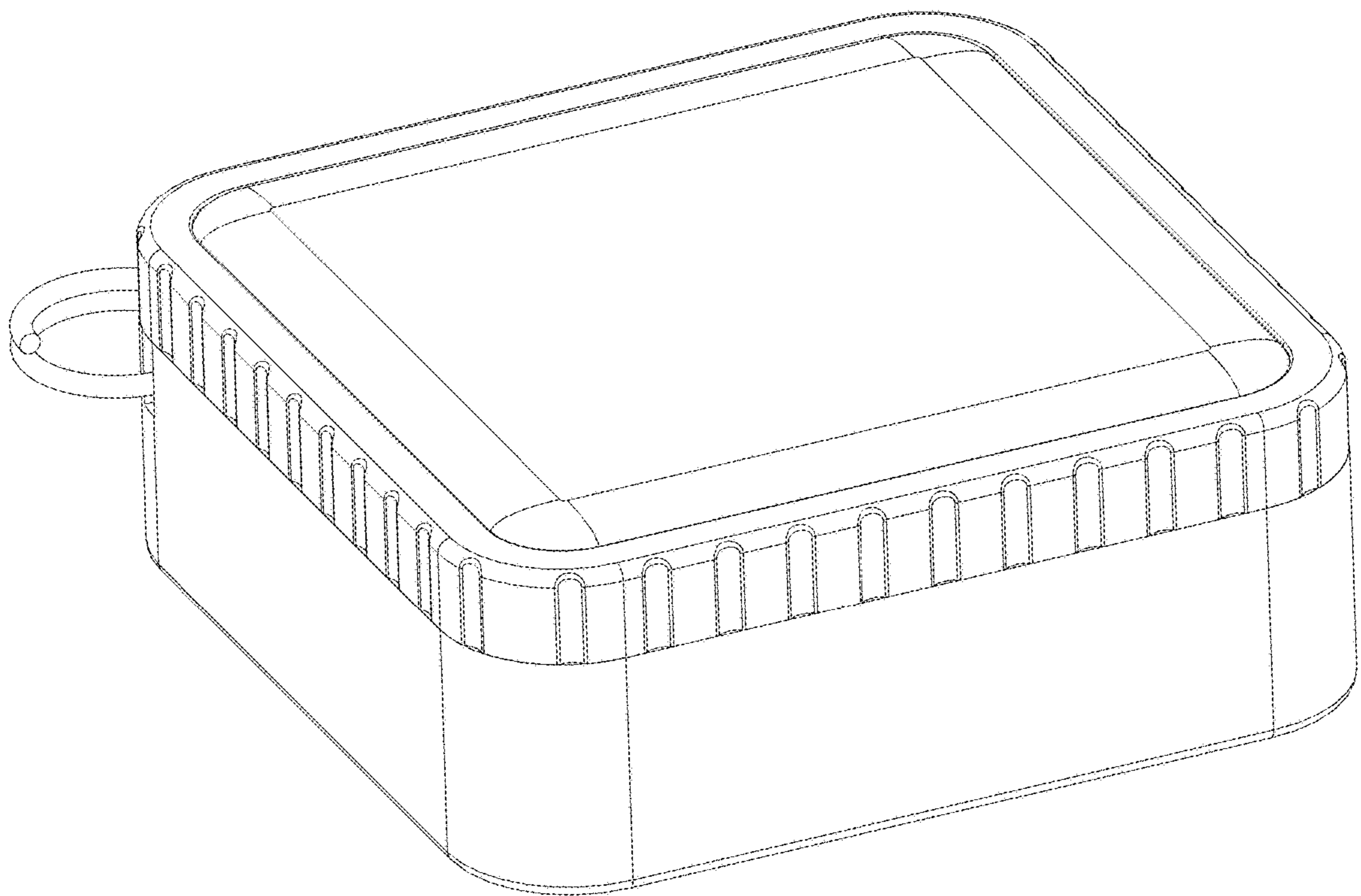


FIG. 2

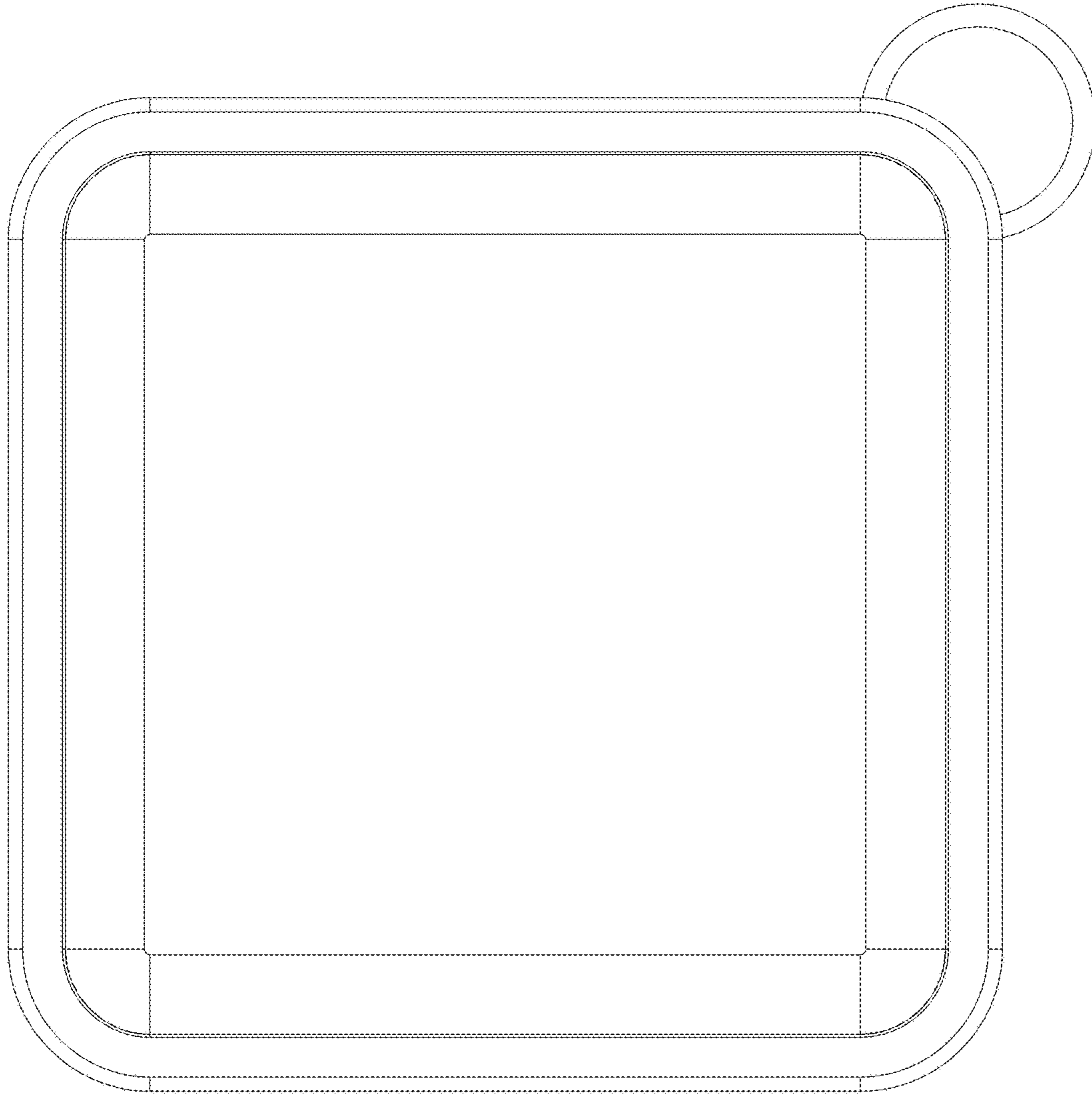


FIG. 3

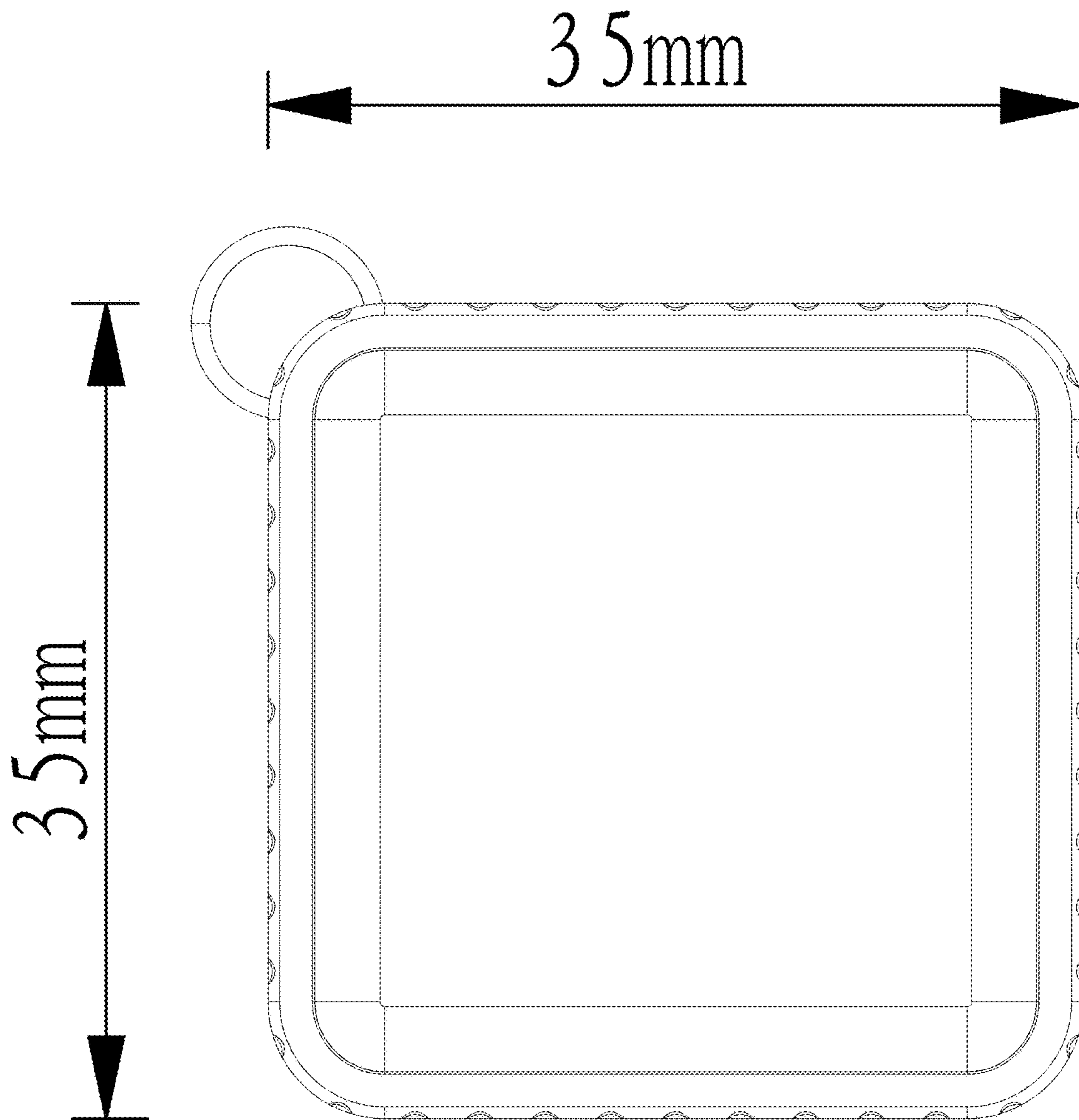


FIG. 4

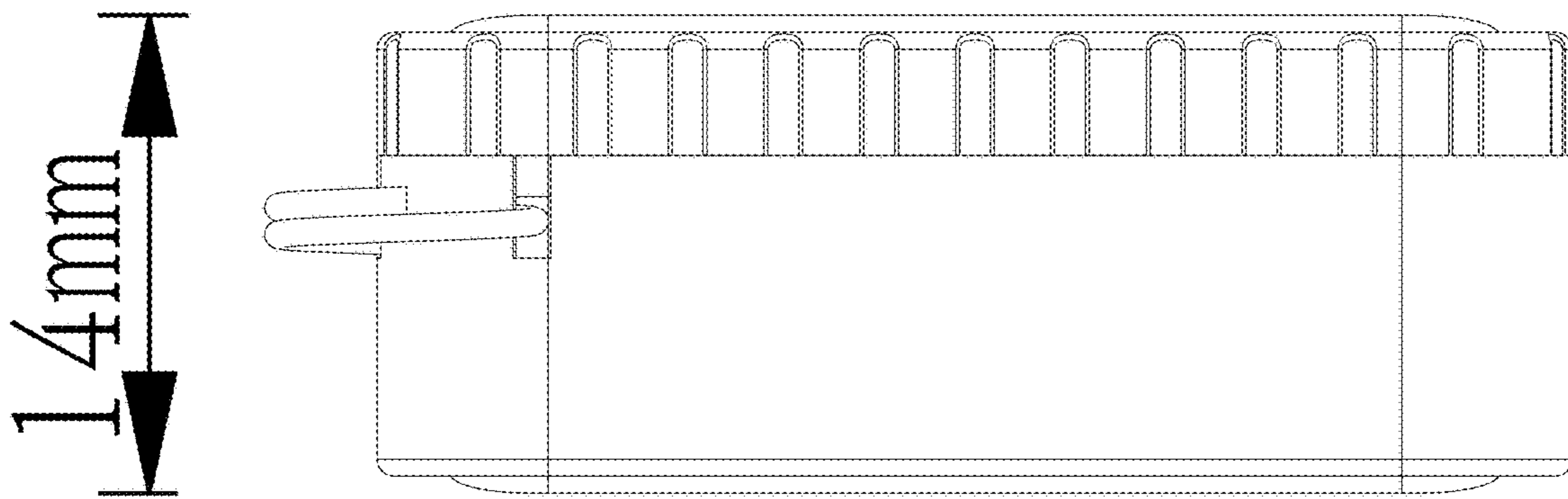


FIG. 5

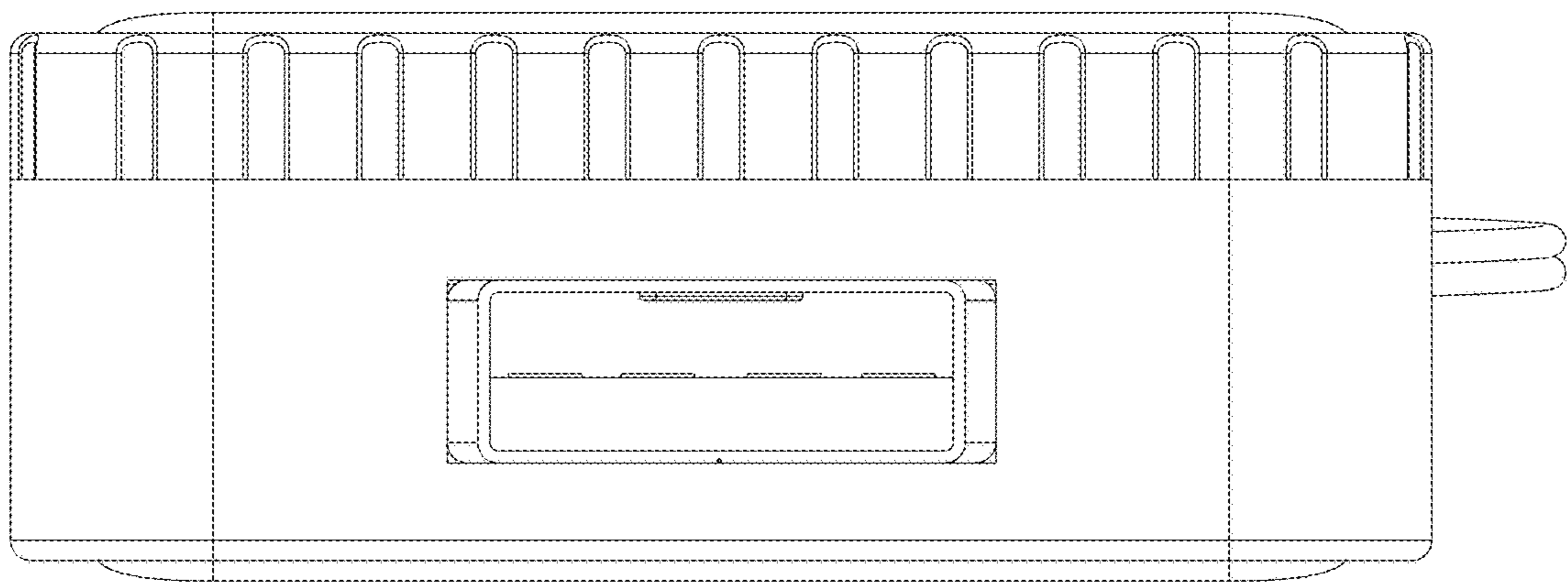


FIG. 6

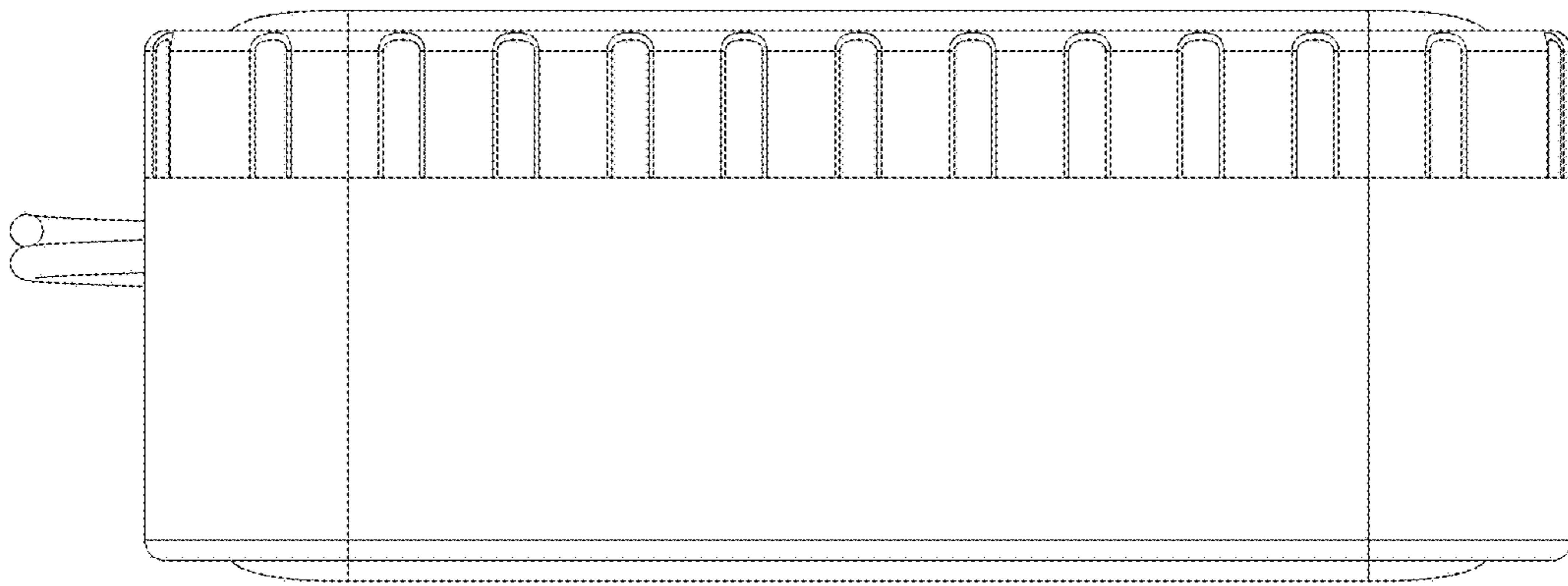


FIG. 7

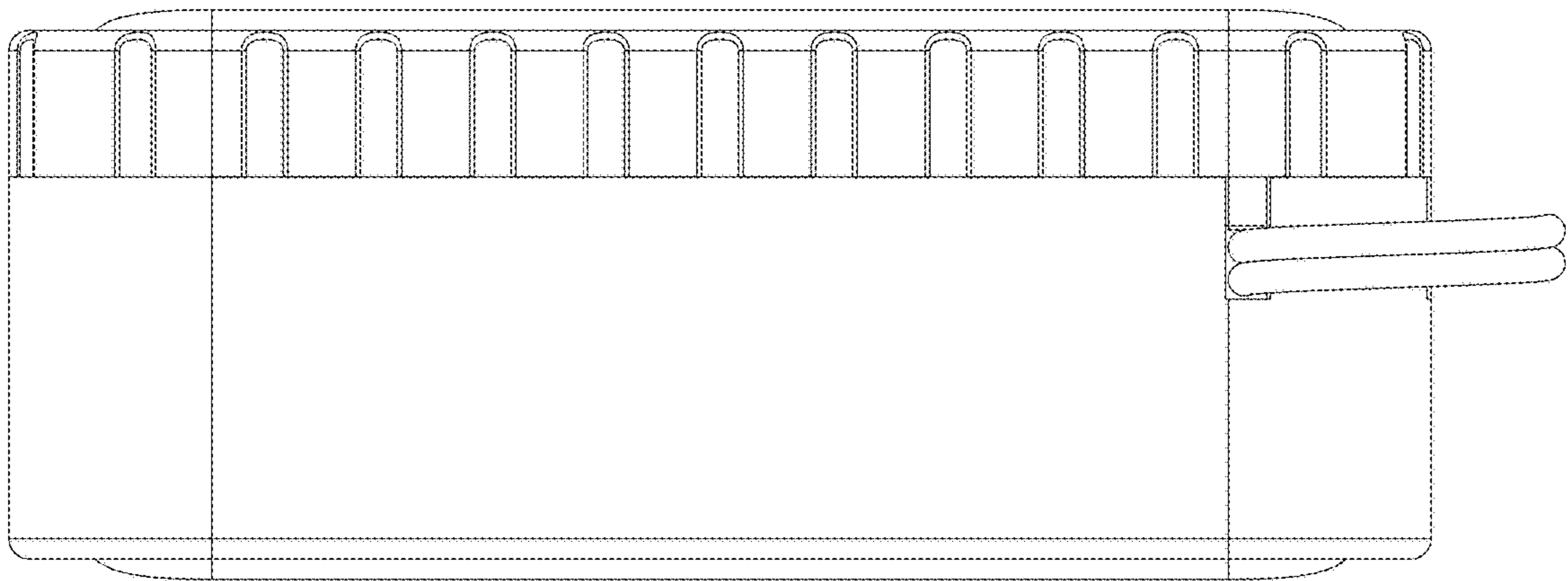


FIG. 8