



US00D784354S

(12) **United States Design Patent** (10) **Patent No.:** **US D784,354 S**
Abreu (45) **Date of Patent:** **** Apr. 18, 2017**

(54) **CRADLE FOR HOLDING AN ELECTRONIC DEVICE**

(71) Applicant: **GEELUX HOLDINGS, LTD.**, Tortola (VG)

(72) Inventor: **Marcio Marc Abreu**, Bridgeport, CT (US)

(73) Assignee: **GEELUX HOLDINGS, LTD.**, Tortola (VG)

(**) Term: **15 Years**

(21) Appl. No.: **29/551,978**

(22) Filed: **Jan. 19, 2016**

(51) **LOC (10) Cl.** **08-07**

(52) **U.S. Cl.**
USPC **D14/447**

(58) **Field of Classification Search**
USPC D14/447, 432, 434, 439, 440, 451, 452, D14/457, 239; D8/363, 373, 380; D6/406.3, 406.4, 406.5, 406.6; D12/415
CPC A47B 21/04; A47B 2097/006; A47B 2097/005; A47B 2023/049; A45C 2011/002; A45C 2011/003; F16M 2200/00; F16M 13/00
See application file for complete search history.

(56) **References Cited**

U.S. PATENT DOCUMENTS

D323,435 S *	1/1992	Palacios	D2/861
D685,380 S *	7/2013	Richter	D14/253
D688,670 S *	8/2013	Huang	D14/447
D694,219 S *	11/2013	Parraga Gimeno	D14/217
D696,671 S *	12/2013	Carnevali	D14/253
D697,515 S *	1/2014	Adelman	D14/447
D697,920 S *	1/2014	Fujioka	D14/447
D711,889 S *	8/2014	Ritchey	D14/447
D722,603 S *	2/2015	Lay	D14/447

D748,099 S *	1/2016	Heid	D14/447
D755,797 S *	5/2016	Liu	D14/452
D769,861 S *	10/2016	Sun	D14/253
2003/0040683 A1	2/2003	Rule et al.	
2003/0219470 A1	11/2003	Zhang et al.	
2007/0051766 A1*	3/2007	Spencer	A45C 11/00 224/607
2011/0077527 A1	3/2011	Yang et al.	

OTHER PUBLICATIONS

Notification of Transmittal of the International Search Report and the Written Opinion of the International Searching Authority; PCT/US2016/014346 issued on May 17, 2016.

* cited by examiner

Primary Examiner — Angela J Lee

(74) *Attorney, Agent, or Firm* — Studebaker & Brackett PC

(57) **CLAIM**

The ornamental design for a cradle for holding an electronic device, as shown and described.

DESCRIPTION

FIG. 1 is a rear perspective view showing my new design for a cradle for holding an electronic device, the suspension of the cradle by a magnet connected to a lanyard is shown in dotted lines for illustrative purposes only, forming no part of the claimed design,

FIG. 2 is a rear view, the portion shown in dotted lines is for illustrative purposes only, forming no part of the claimed design,

FIG. 3 is a front view thereof,

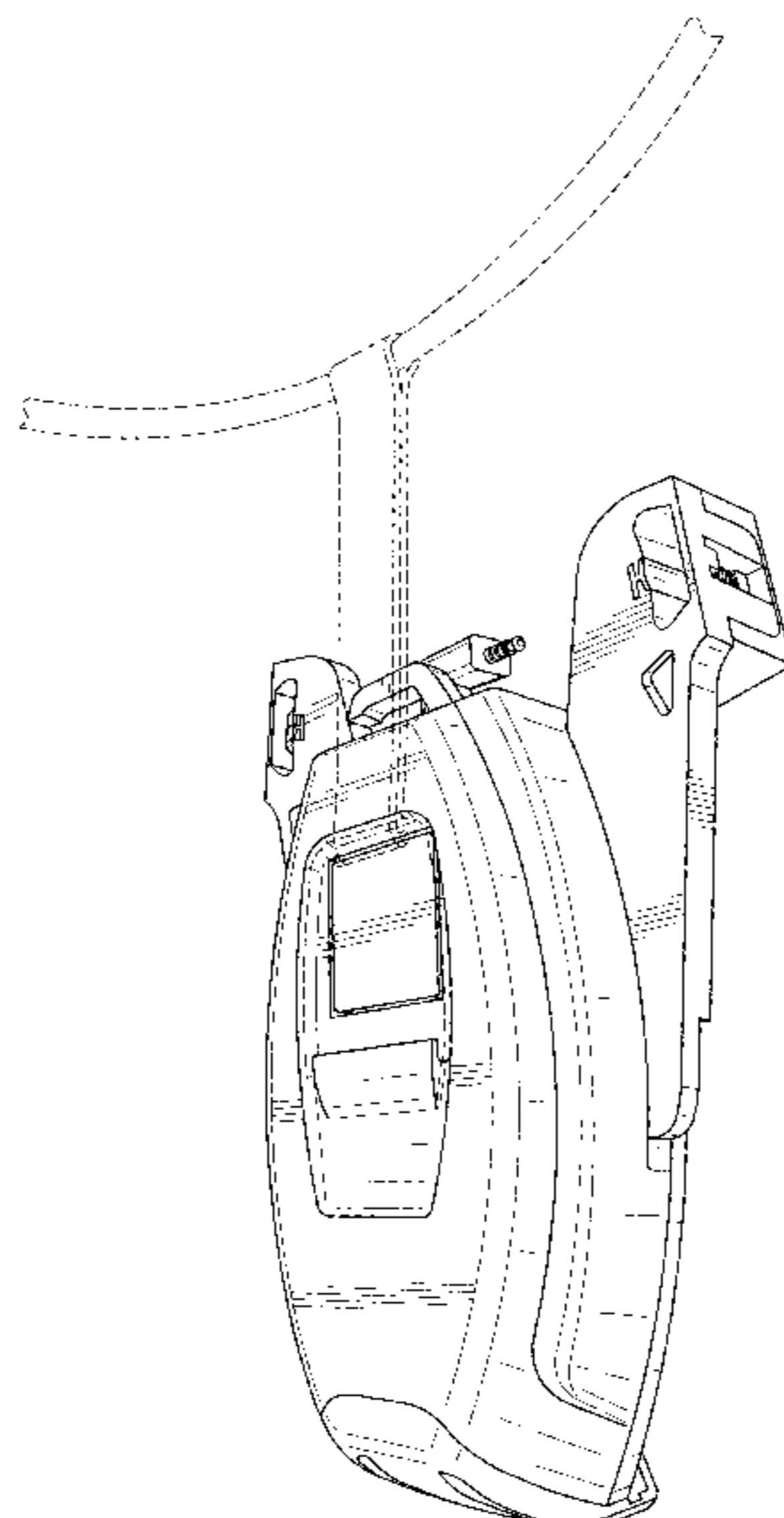
FIG. 4 is a top view thereof,

FIG. 5 is a bottom view thereof,

FIG. 6 is a right side view thereof; and,

FIG. 7 is a left side view thereof.

1 Claim, 5 Drawing Sheets



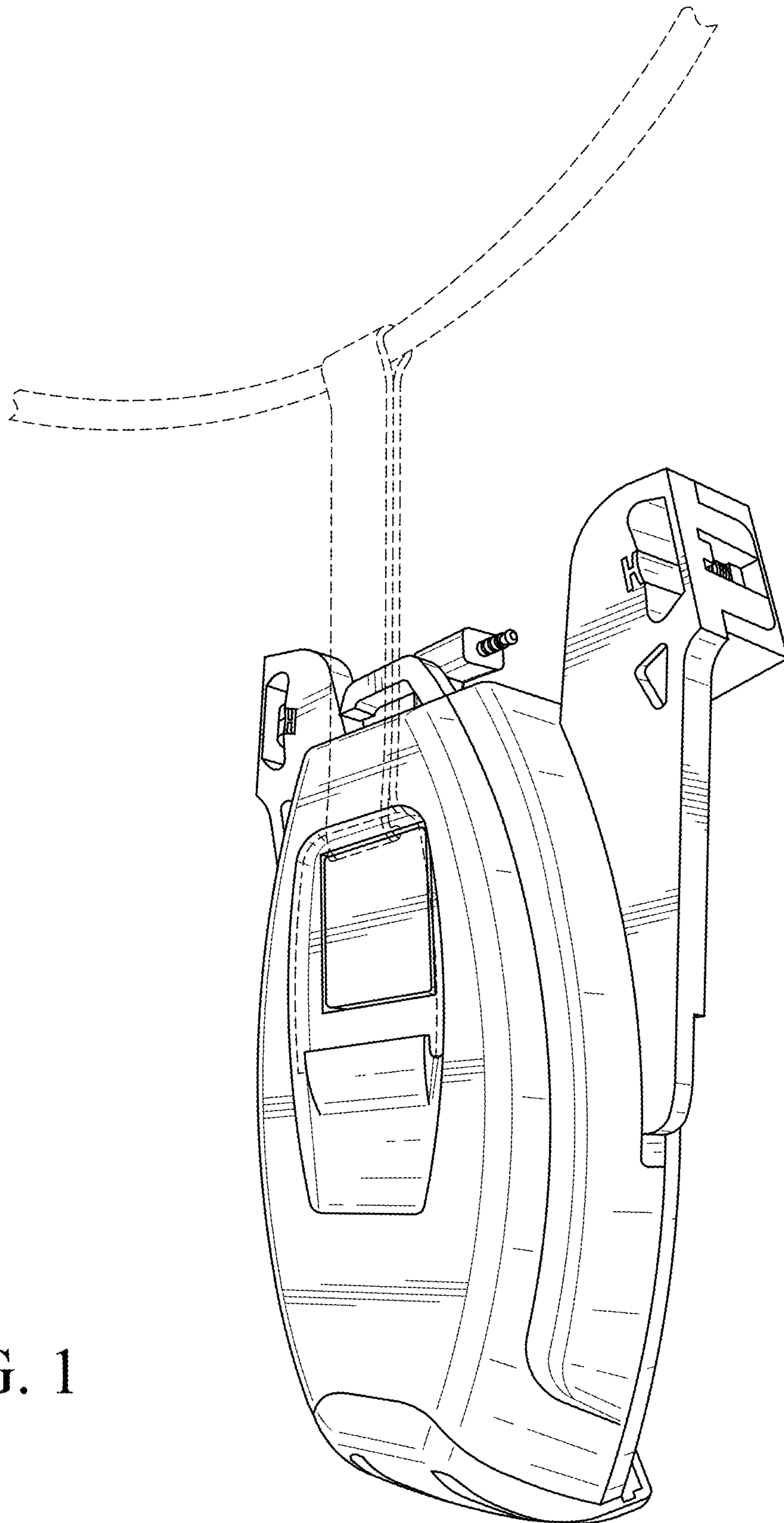


FIG. 1

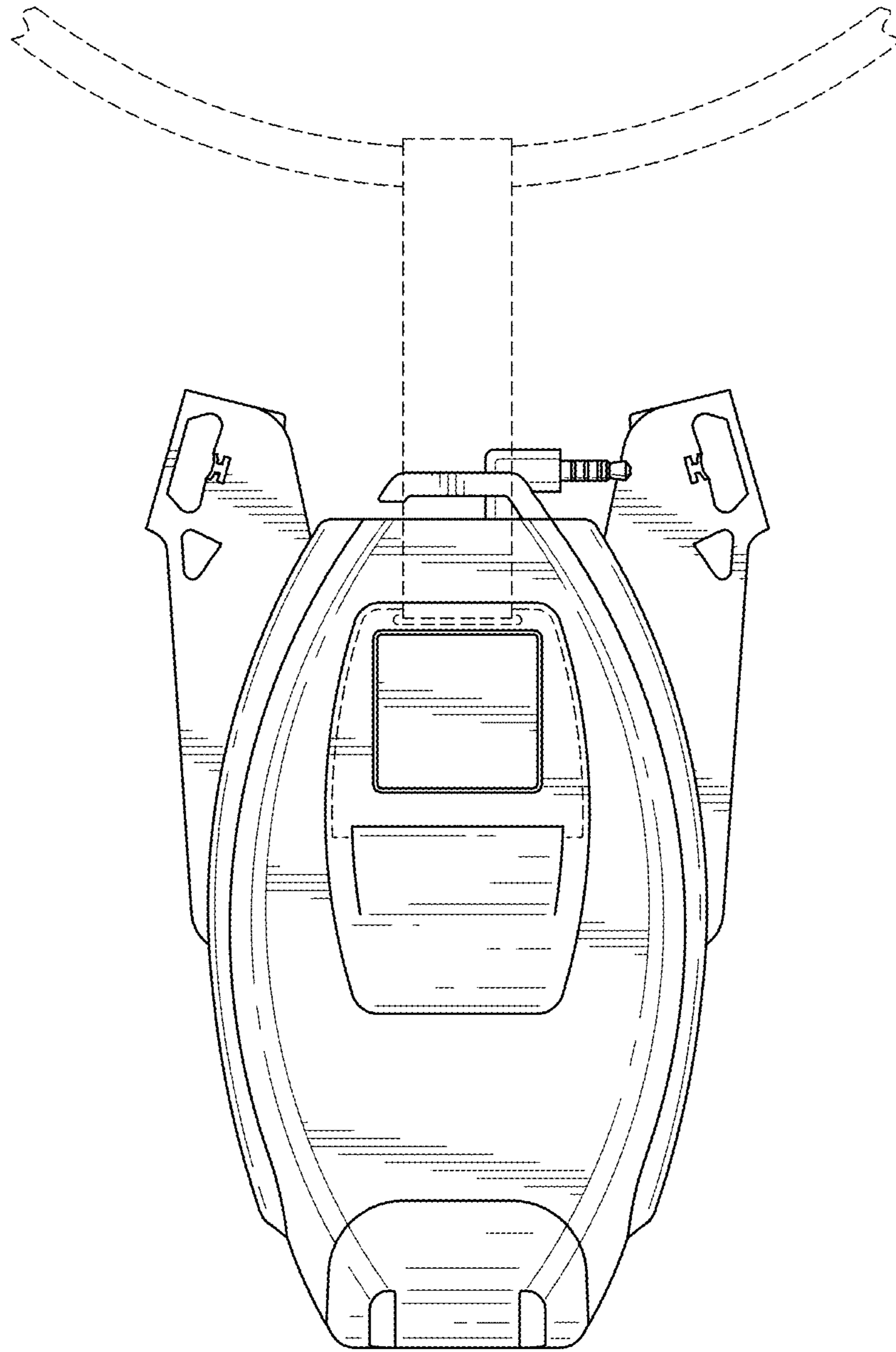


FIG. 2

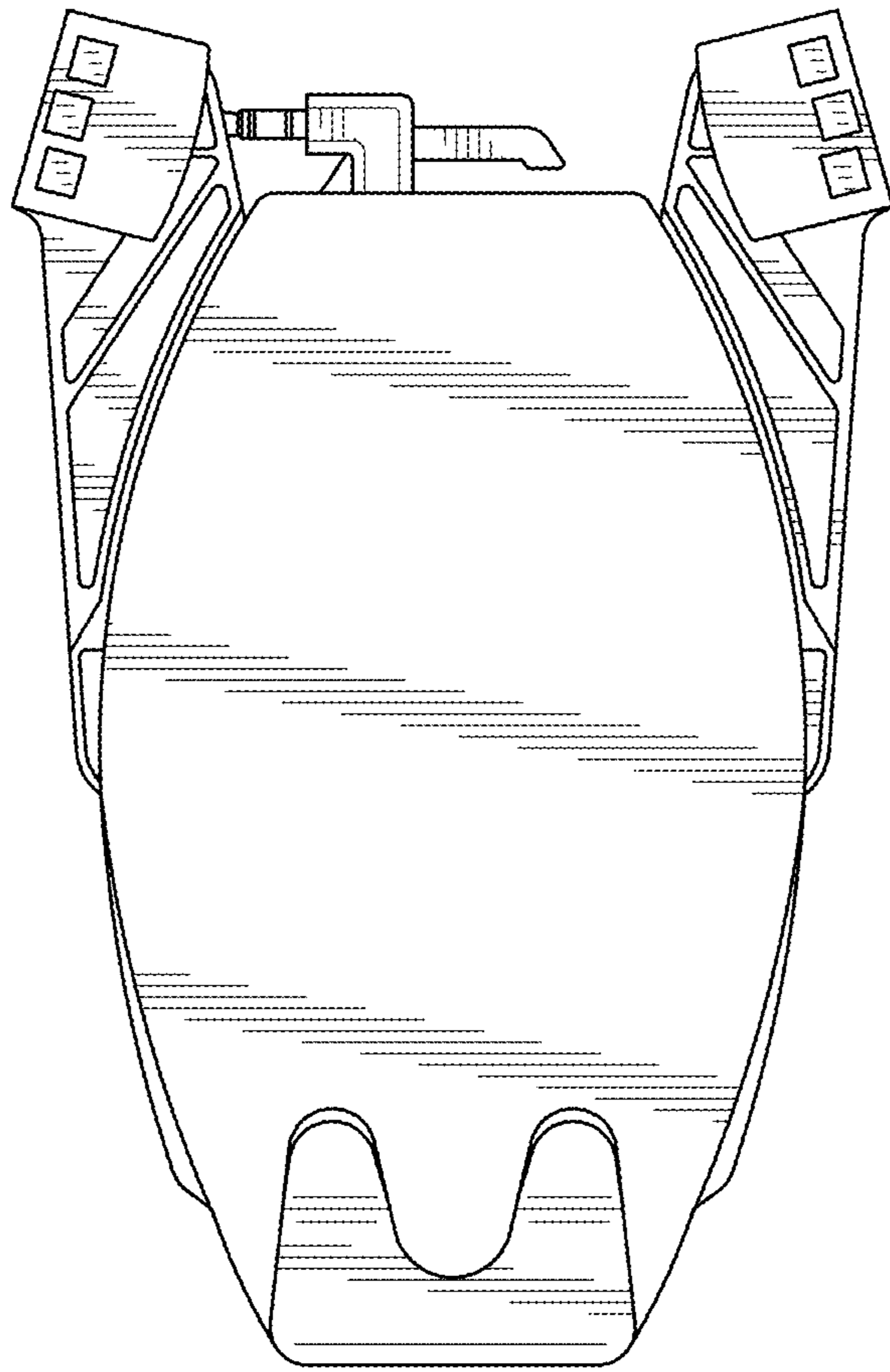


FIG. 3

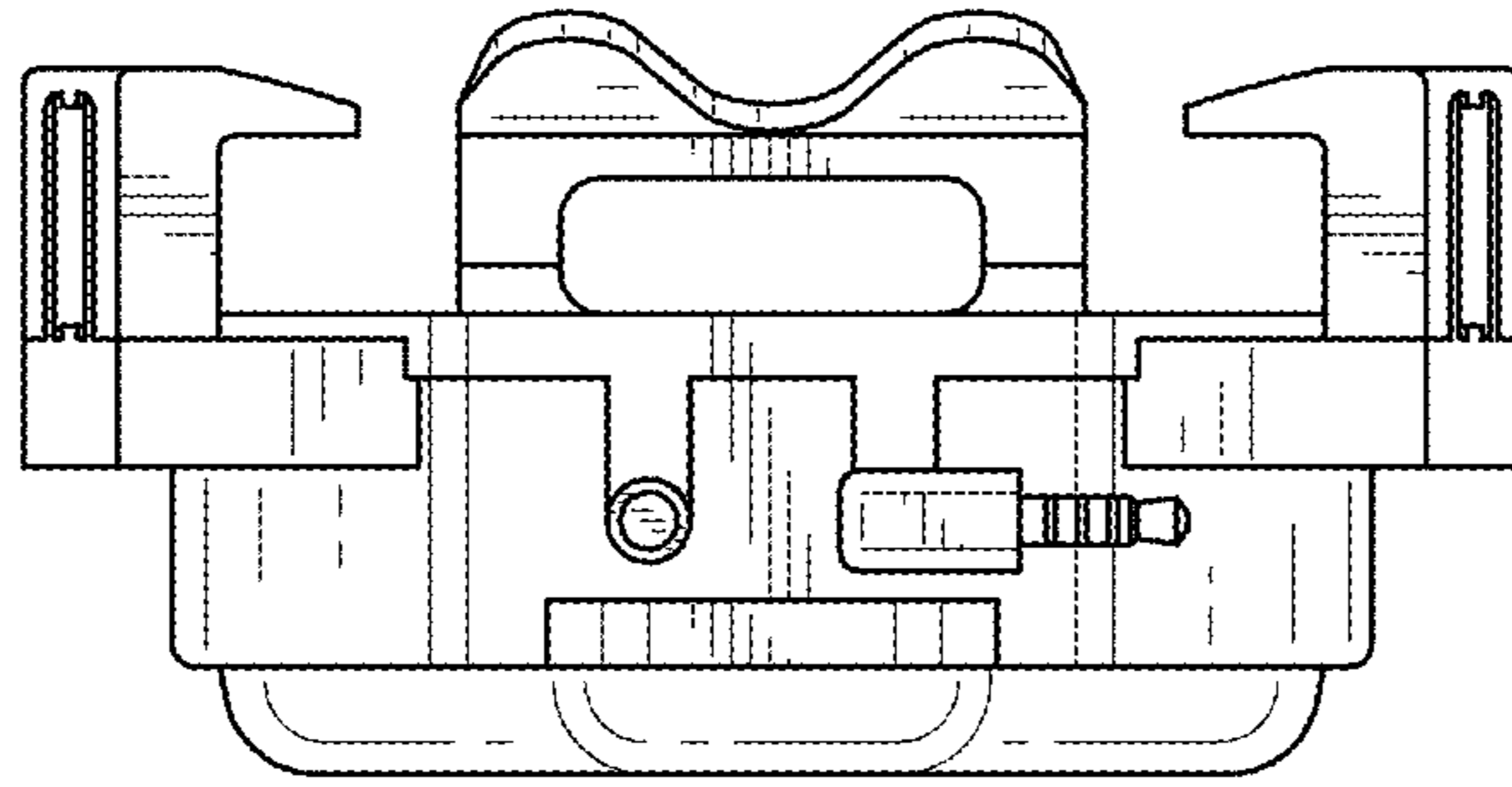


FIG. 4

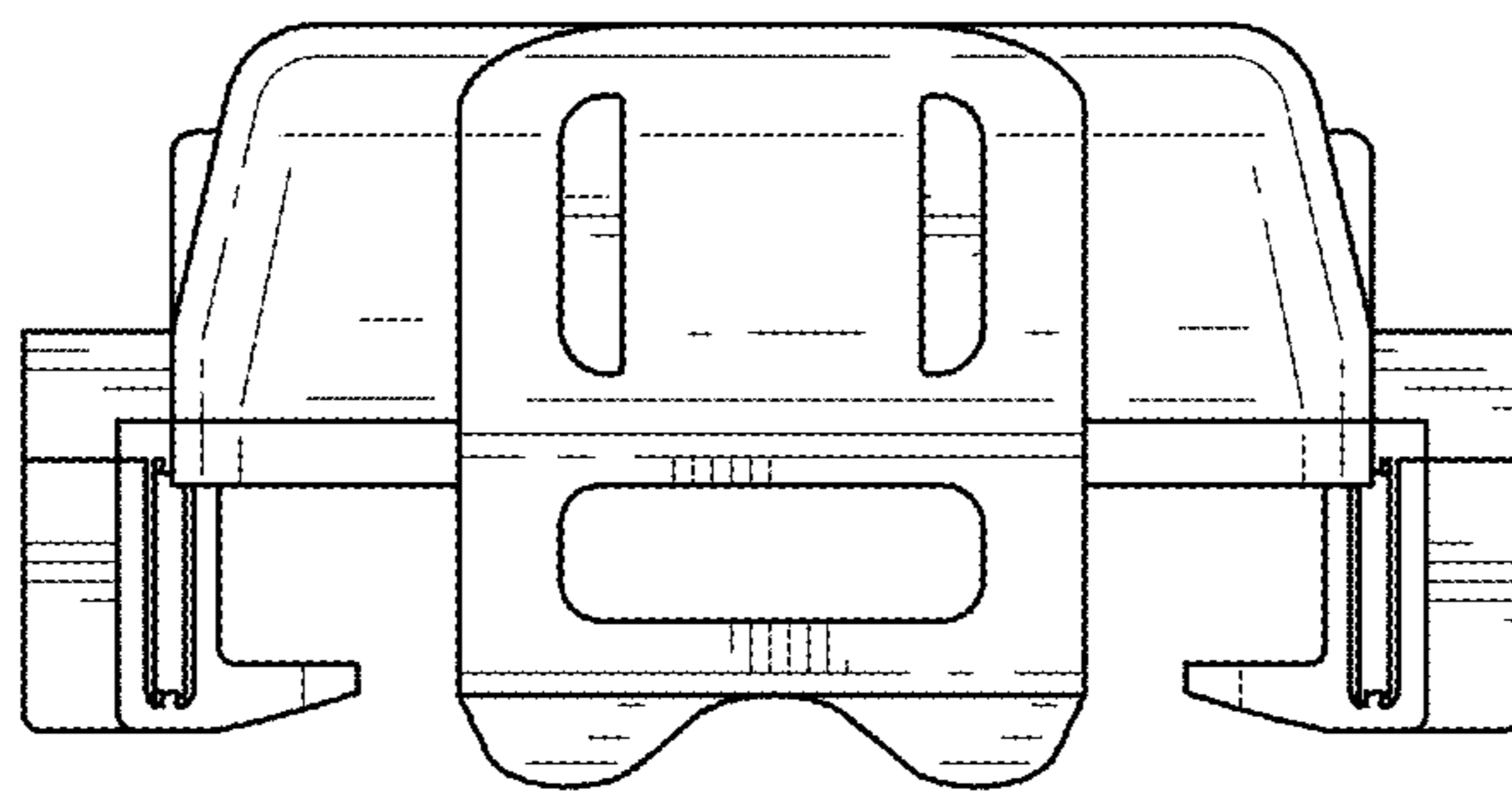


FIG. 5

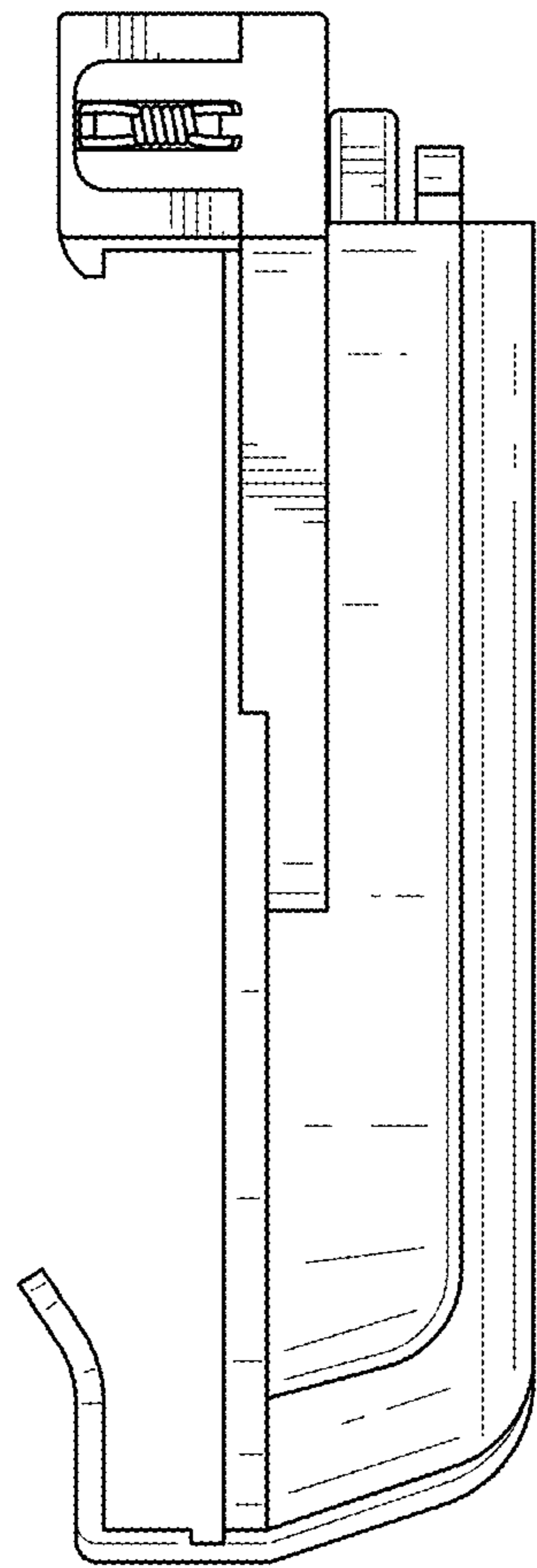


FIG. 6

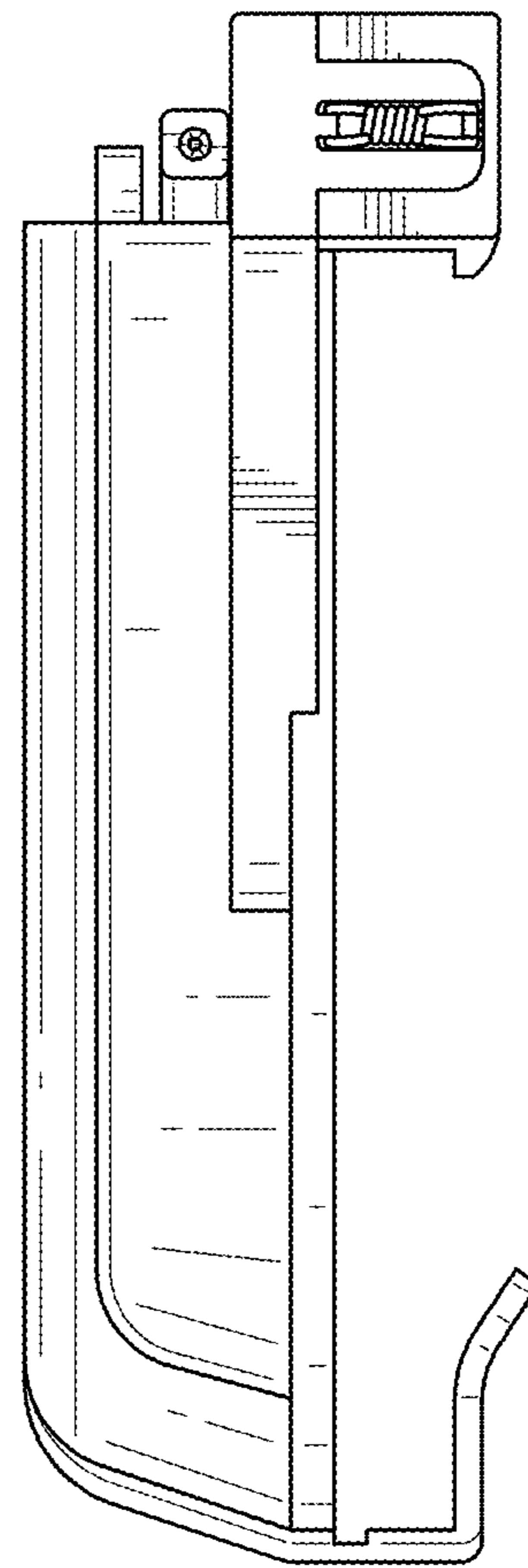


FIG. 7