



US00D784353S

(12) **United States Design Patent**
Brown

(10) **Patent No.:** **US D784,353 S**

(45) **Date of Patent:** **** Apr. 18, 2017**

(54) **PHONE SUPPORT APPARATUS**

(71) Applicant: **Michael Brown**, New York, NY (US)

(72) Inventor: **Michael Brown**, New York, NY (US)

(**) Term: **15 Years**

(21) Appl. No.: **29/545,503**

(22) Filed: **Nov. 13, 2015**

(51) **LOC (10) Cl.** **08-07**

(52) **U.S. Cl.**
USPC **D14/447**

(58) **Field of Classification Search**
USPC D14/447, 432, 434, 439, 440, 451, 452,
D14/457, 239; D8/363, 373, 380;
D6/406.3, 406.4, 406.5, 406.6; D12/415
CPC A47B 21/04; A47B 2097/006; A47B
2097/005; A47B 2023/049; A45C
2011/002; A45C 2011/003; F16M
2200/00; F16M 13/00

See application file for complete search history.

(56) **References Cited**

U.S. PATENT DOCUMENTS

4,905,276	A	2/1990	Catey et al.	
5,335,366	A	8/1994	Daniels	
5,564,085	A	10/1996	Chen et al.	
5,819,162	A	10/1998	Spann et al.	
6,341,217	B1	1/2002	Wong	
6,411,722	B1	6/2002	Wolf	
D589,962	S *	4/2009	Maruyama	D14/432

D624,919	S *	10/2010	Bull	D14/434
D645,865	S *	9/2011	Diehl	D14/299
D652,422	S *	1/2012	Cheng	D14/253
D655,293	S *	3/2012	Gioscia	D14/434
D683,141	S *	5/2013	Symons	D14/447
D688,670	S *	8/2013	Huang	D14/447
D703,676	S *	4/2014	Smith	D14/447
D704,196	S *	5/2014	Yohai-Giochais	D14/447
D722,062	S *	2/2015	Zwerner	D14/447
D733,691	S *	7/2015	Wengreen	D14/239
D751,564	S *	3/2016	Hahn	D14/447
D767,575	S *	9/2016	Green	D14/447
2002/0070903	A1	6/2002	Nakamura et al.	
2003/0186728	A1	10/2003	Manjo	
2013/0143630	A1	6/2013	Krenzer	

* cited by examiner

Primary Examiner — Angela J Lee

(74) *Attorney, Agent, or Firm* — Michael J. Feigin, Esq.;
Feigin & Fridman

(57) **CLAIM**

The ornamental design for the phone support apparatus, as shown.

DESCRIPTION

FIG. 1 shows a perspective view of the phone support apparatus.

FIG. 2 shows a bottom view thereof.

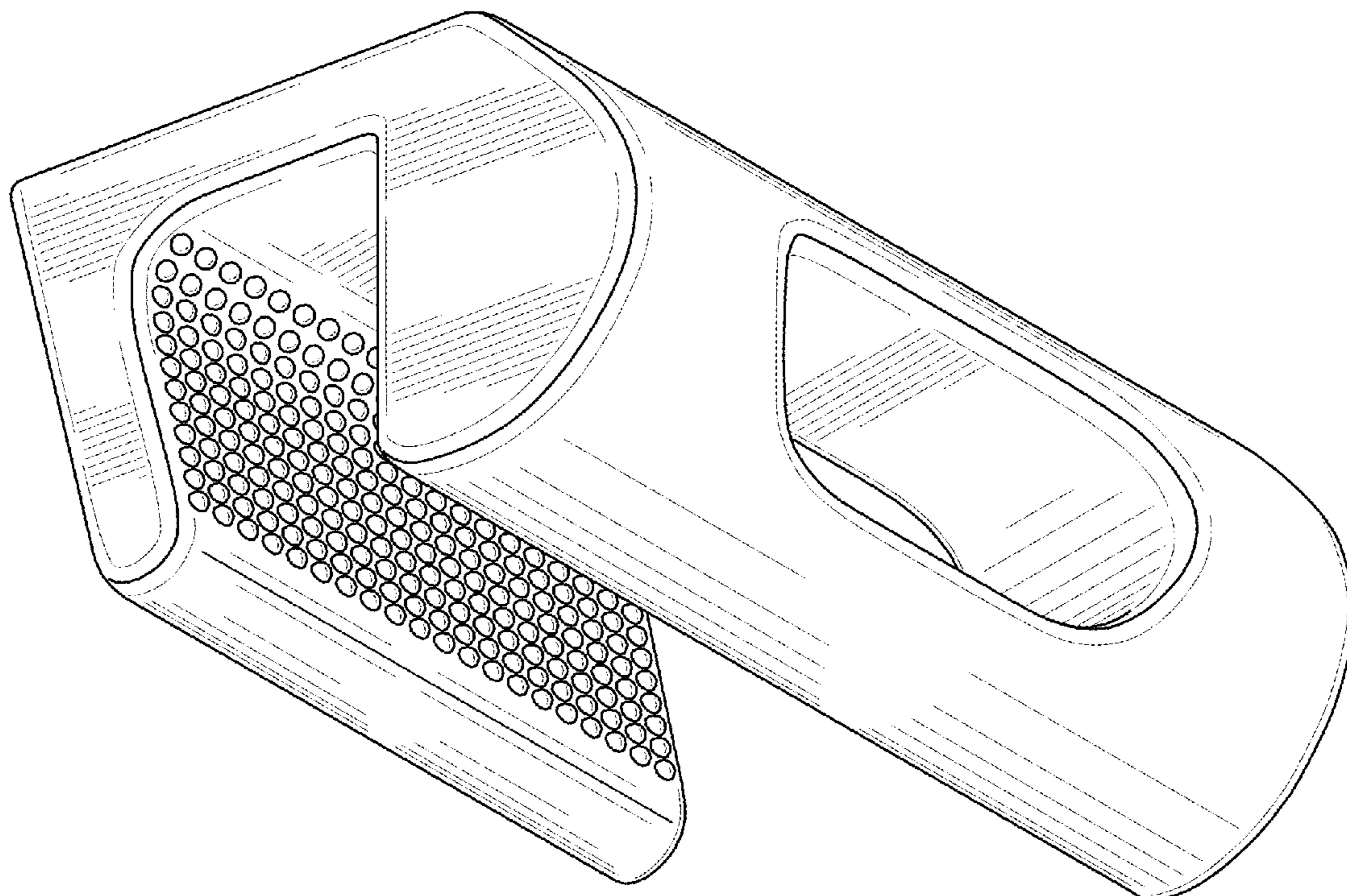
FIG. 3 shows a front view thereof.

FIG. 4 shows a side view thereof.

FIG. 5 shows an additional side view thereof; and,

FIG. 6 shows an end view thereof.

1 Claim, 5 Drawing Sheets



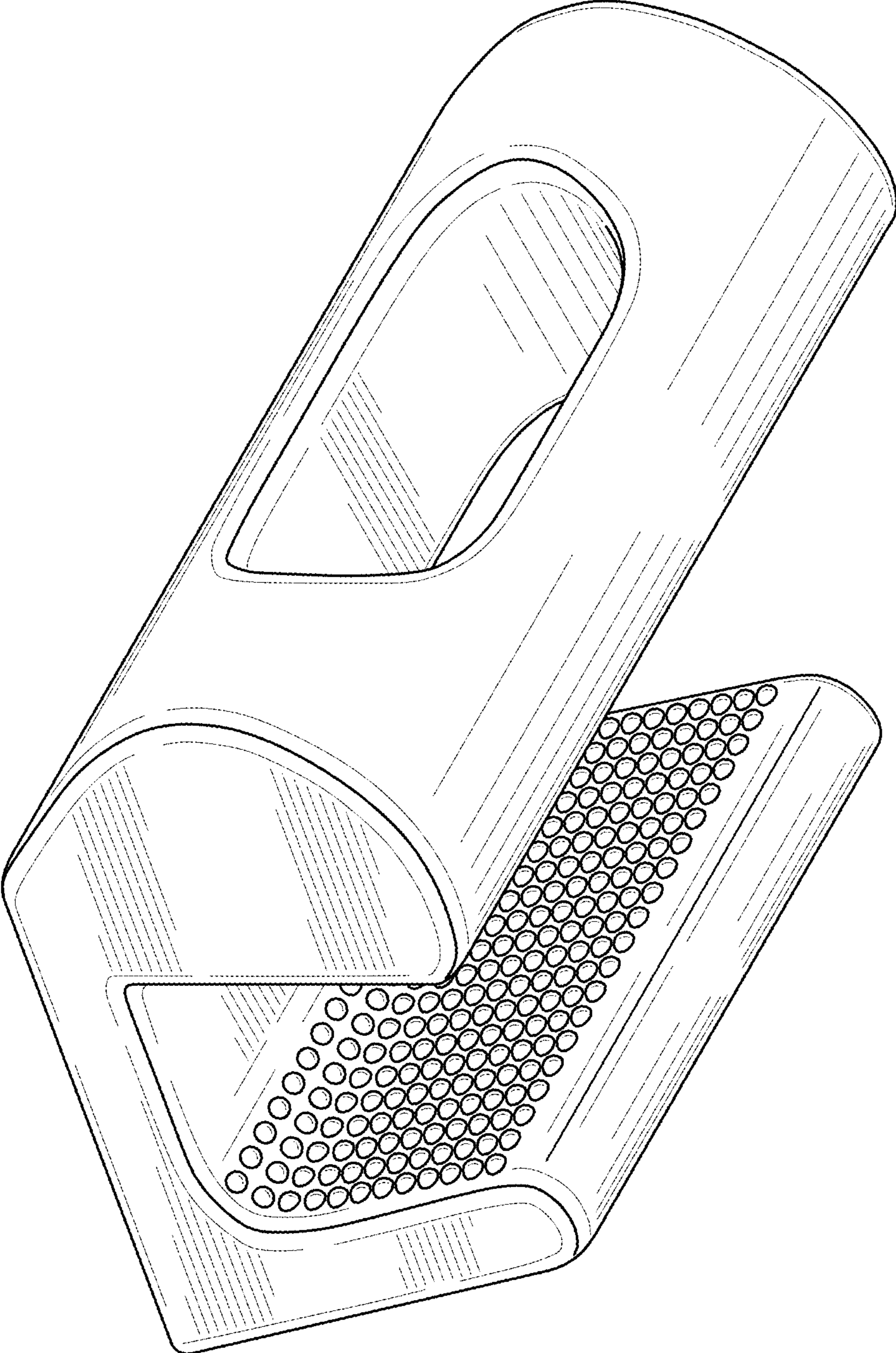


FIG. 1

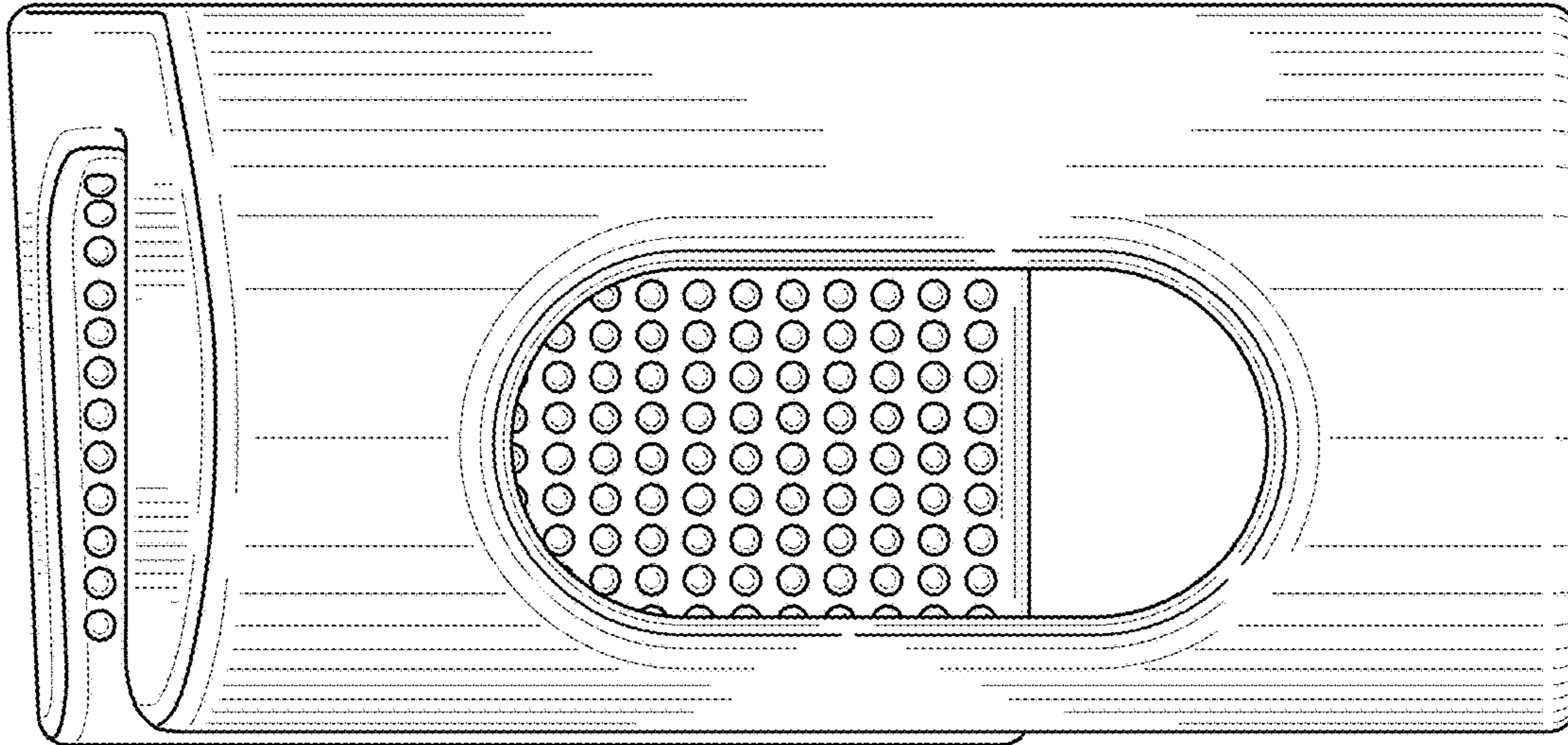


FIG. 2

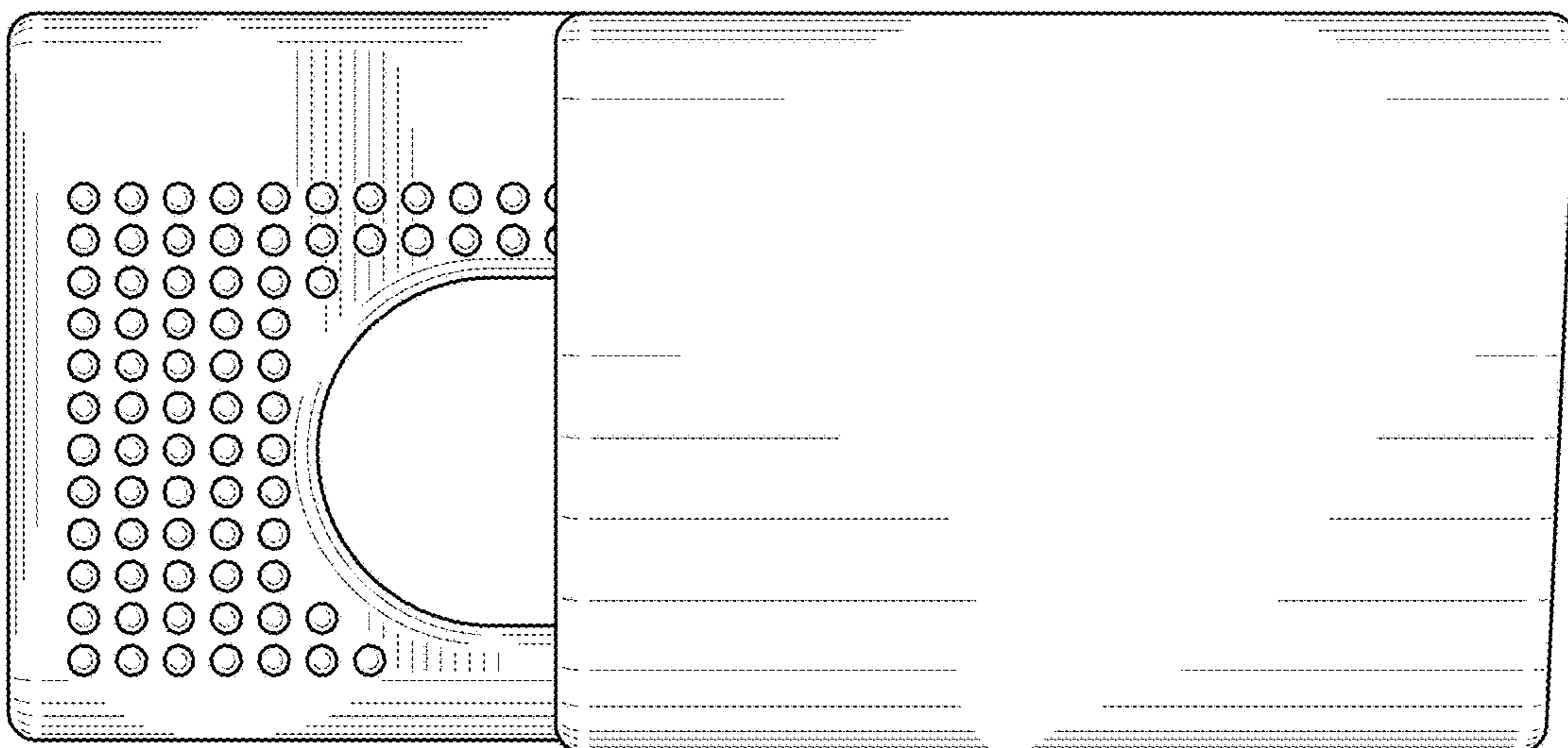


FIG. 3

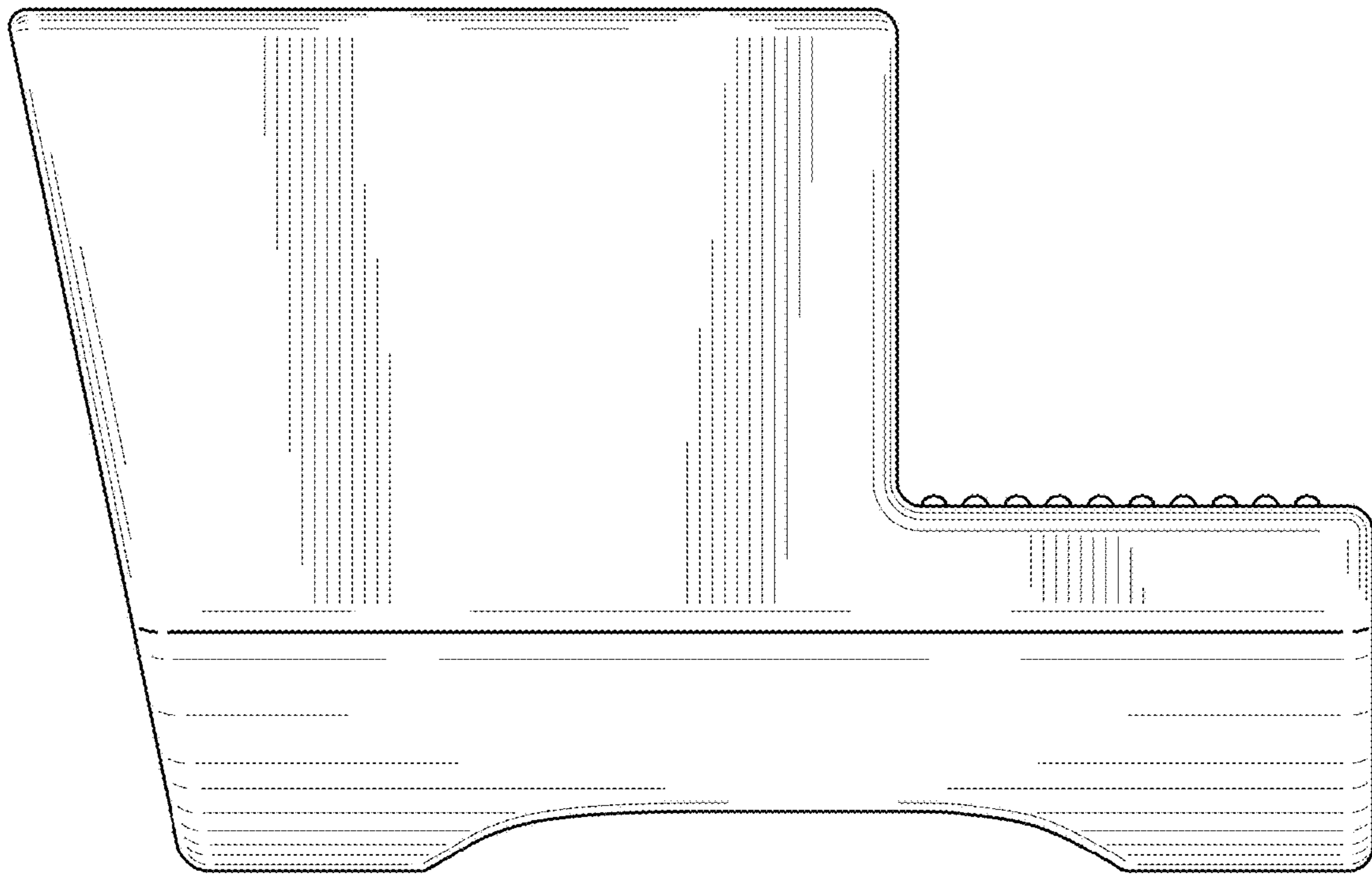


FIG. 4

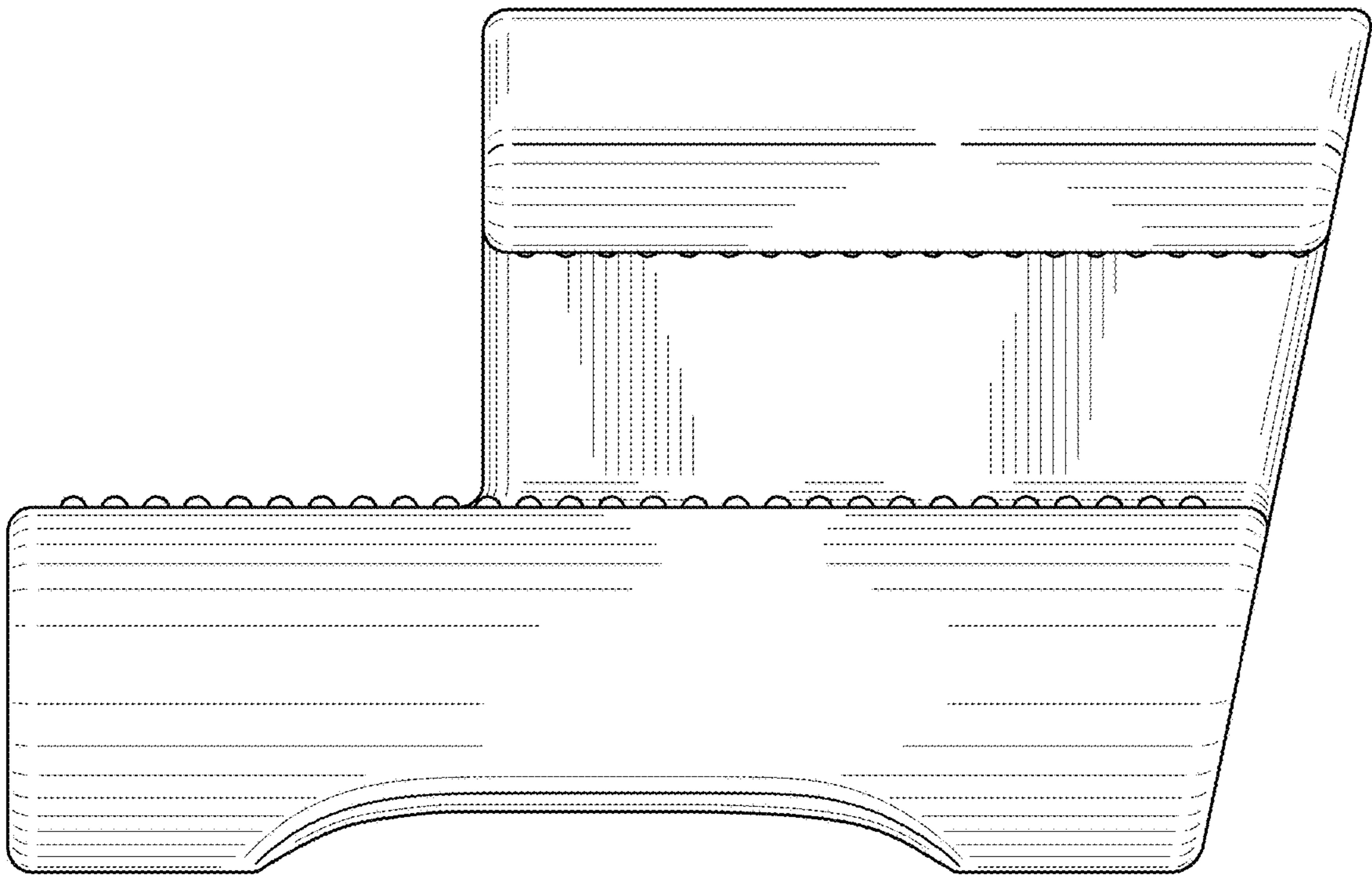


FIG. 5

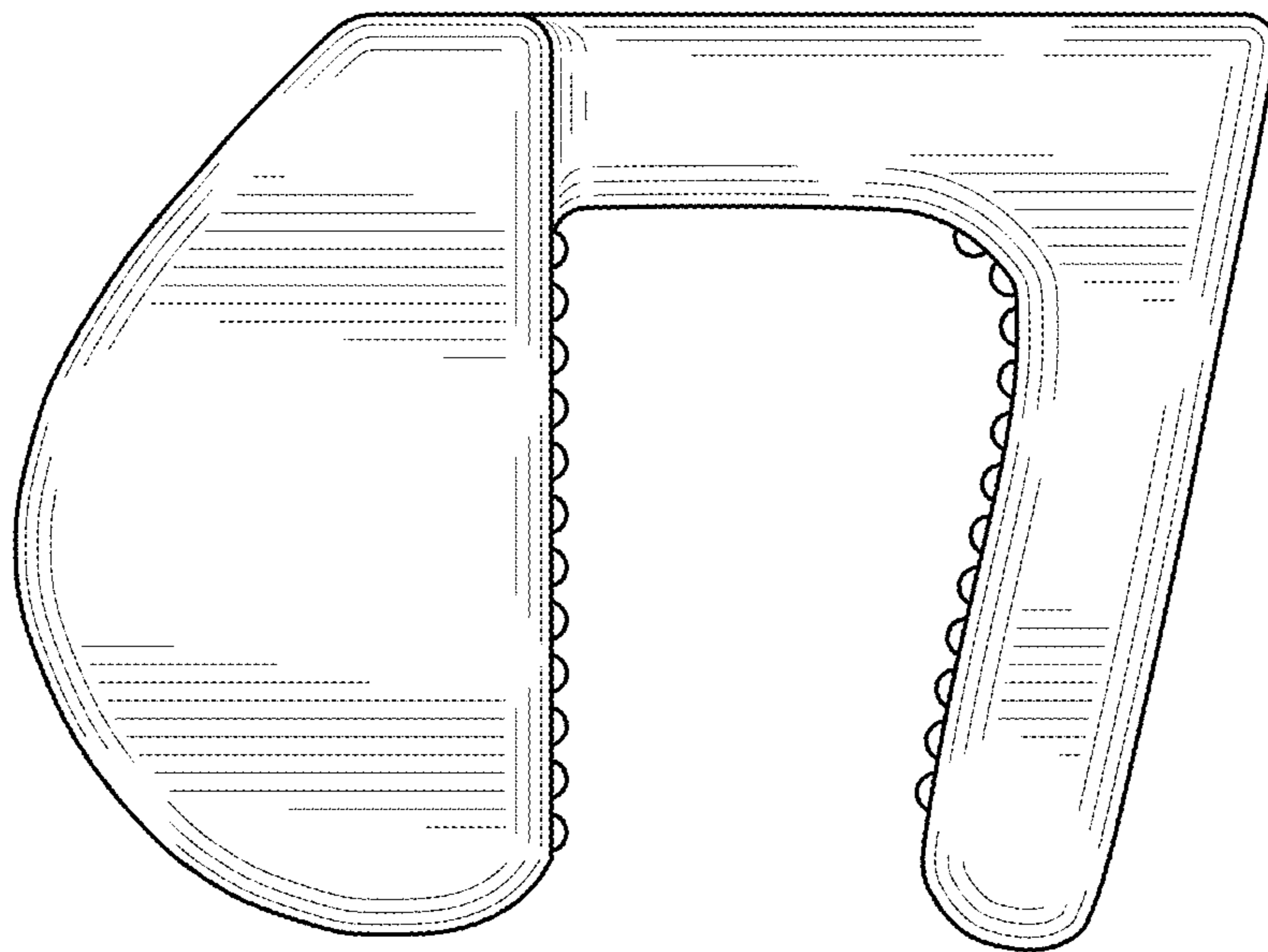


FIG. 6