



US00D784352S

(12) **United States Design Patent**
Burgess et al.

(10) **Patent No.:** **US D784,352 S**
(45) **Date of Patent:** **** Apr. 18, 2017**

(54) **ELECTRONIC DEVICE STAND**
(71) Applicant: **Bank of Ozarks**, Little Rock, AR (US)
(72) Inventors: **Trevor Burgess**, St. Petersburg, FL (US); **Marcio deOliveira**, Sarasota, FL (US); **Katelynn Dalley**, St. Petersburg, FL (US)
(73) Assignee: **Bank of Ozarks**, Little Rock, AR (US)
(**) Term: **15 Years**
(21) Appl. No.: **29/542,618**

D624,919 S *	10/2010	Bull	D14/434
D635,918 S *	4/2011	Le	D13/108
D667,011 S *	9/2012	Wu	D14/447
D667,012 S *	9/2012	Chen	D14/447
D676,055 S *	2/2013	Izen	D14/447
D697,514 S *	1/2014	Davis	D14/447
D703,217 S *	4/2014	Green	D14/447
D703,675 S *	4/2014	Jensen	D14/447
D762,625 S *	8/2016	Yoo	D14/126
D767,575 S *	9/2016	Green	D14/447
D768,138 S *	10/2016	Malsan	D14/447
2009/0245695 A1	10/2009	Foss et al.		
2010/0282924 A1	11/2010	Boies		
2012/0145843 A1	6/2012	Ho et al.		
2012/0305735 A1	12/2012	McSweyn		

* cited by examiner

(22) Filed: **Oct. 15, 2015**
(51) **LOC (10) Cl.** **08-07**
(52) **U.S. Cl.**
USPC **D14/447**
(58) **Field of Classification Search**
USPC D14/447, 432, 434, 439, 440, 451, 452, D14/457, 239; D8/363, 373, 380; D6/406.3, 406.4, 406.5, 406.6; D12/415
CPC A47B 21/04; A47B 2097/006; A47B 2097/005; A47B 2023/049; A45C 2011/002; A45C 2011/003; F16M 2200/00; F16M 13/00
See application file for complete search history.

Primary Examiner — Angela J Lee
(74) *Attorney, Agent, or Firm* — Jeffrey B. Gabian, Esq.; Shumaker, Loop & Kendrick, LLP

(57) **CLAIM**

The ornamental design for an electronic device stand, as shown and described.

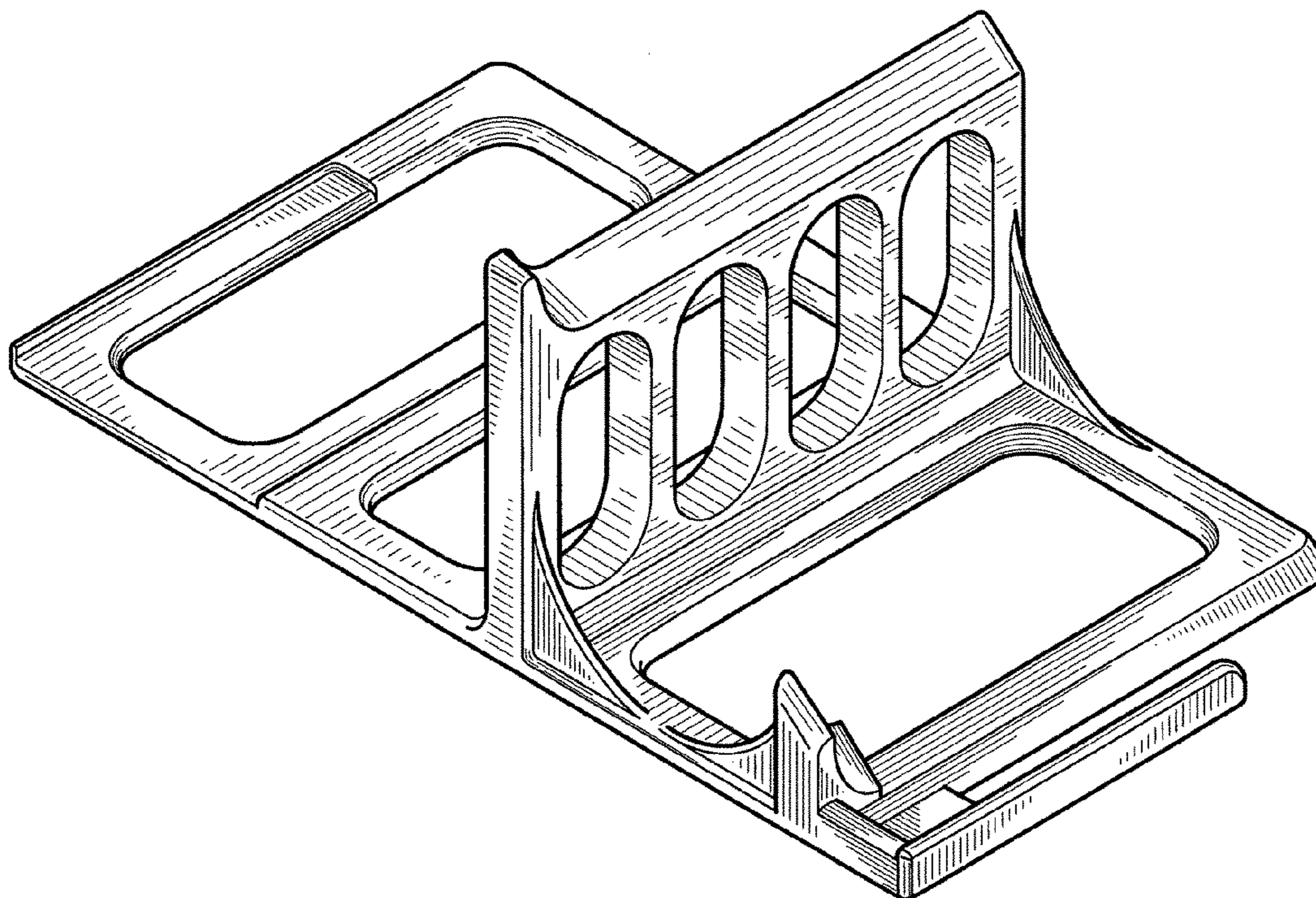
DESCRIPTION

FIG. 1 is a front and top perspective view of a new design for an electronic device stand;
FIG. 2 is a top view thereof;
FIG. 3 is a right side view thereof;
FIG. 4 is a left side view thereof;
FIG. 5 is a front view thereof; and,
FIG. 6 is a back view thereof.

(56) **References Cited**
U.S. PATENT DOCUMENTS

D494,182 S *	8/2004	Singer	D14/447
D590,404 S *	4/2009	Kim	D14/447

1 Claim, 4 Drawing Sheets



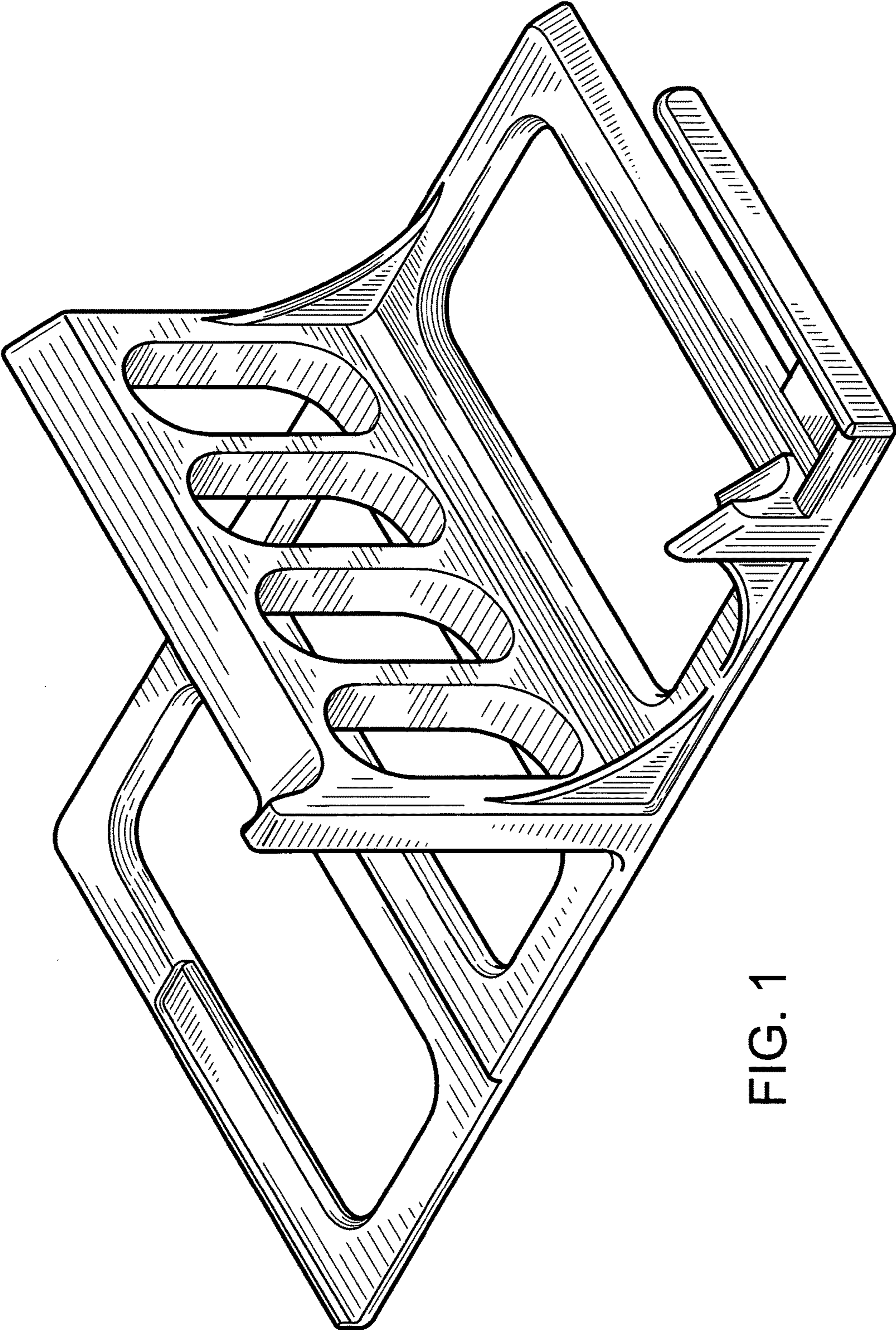


FIG. 1

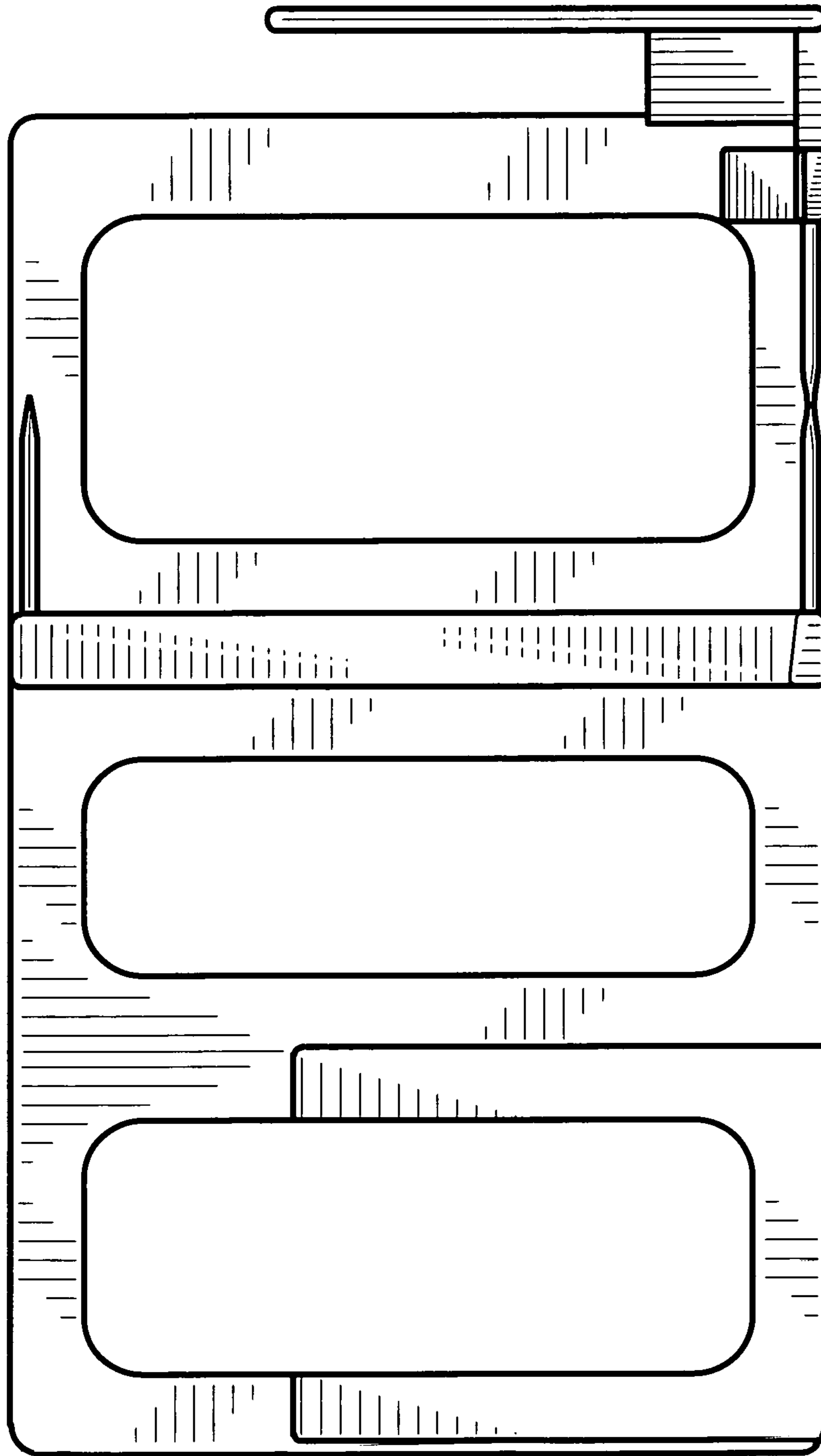


FIG. 2

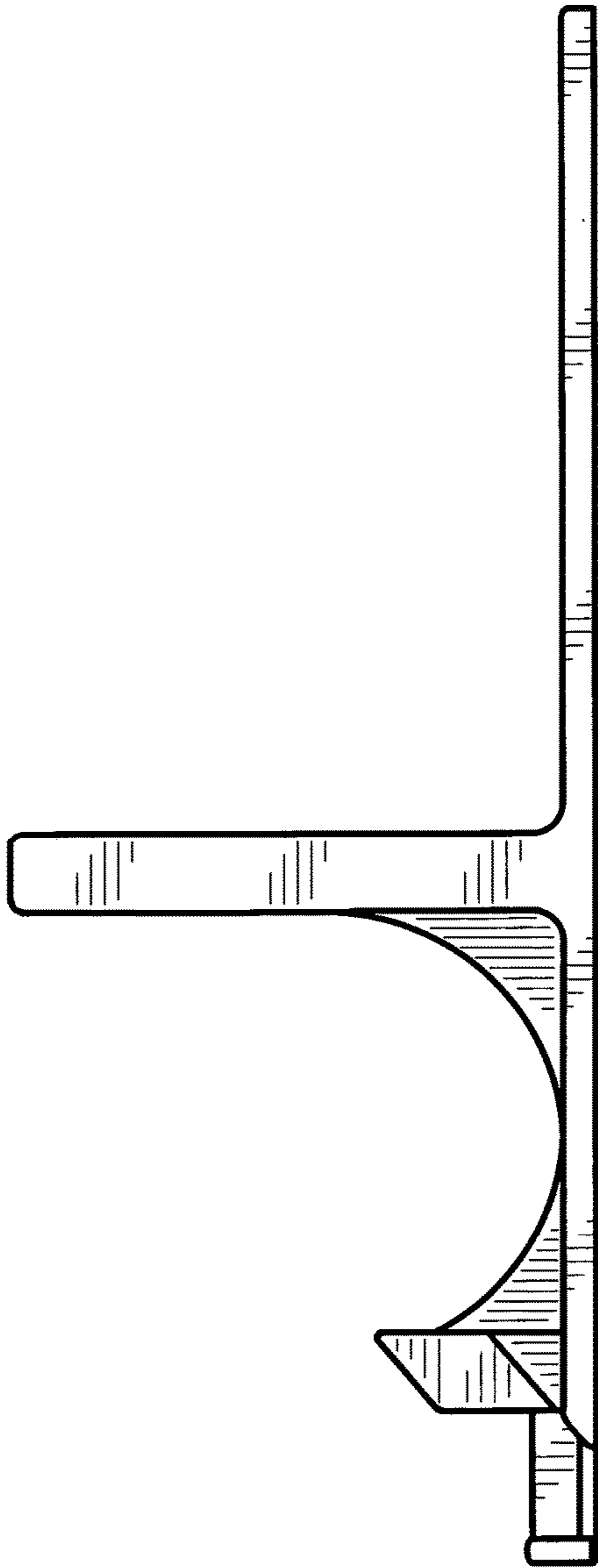


FIG. 3

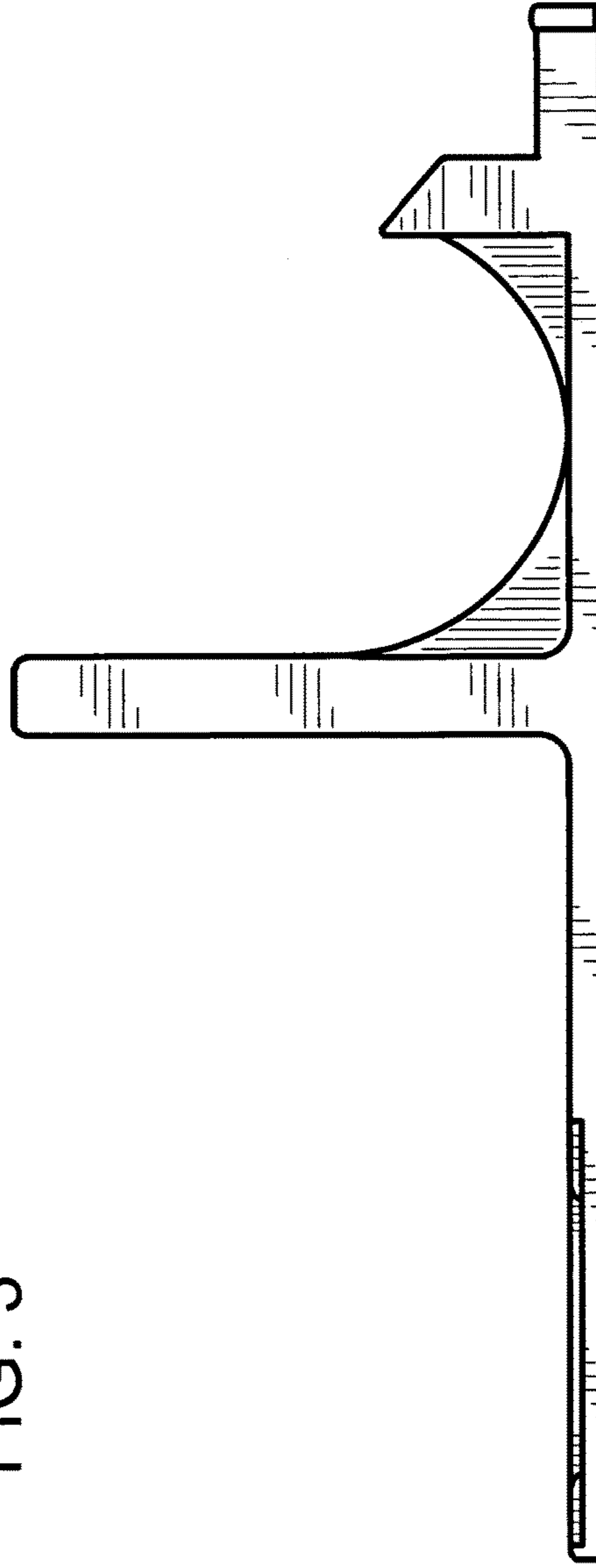


FIG. 4

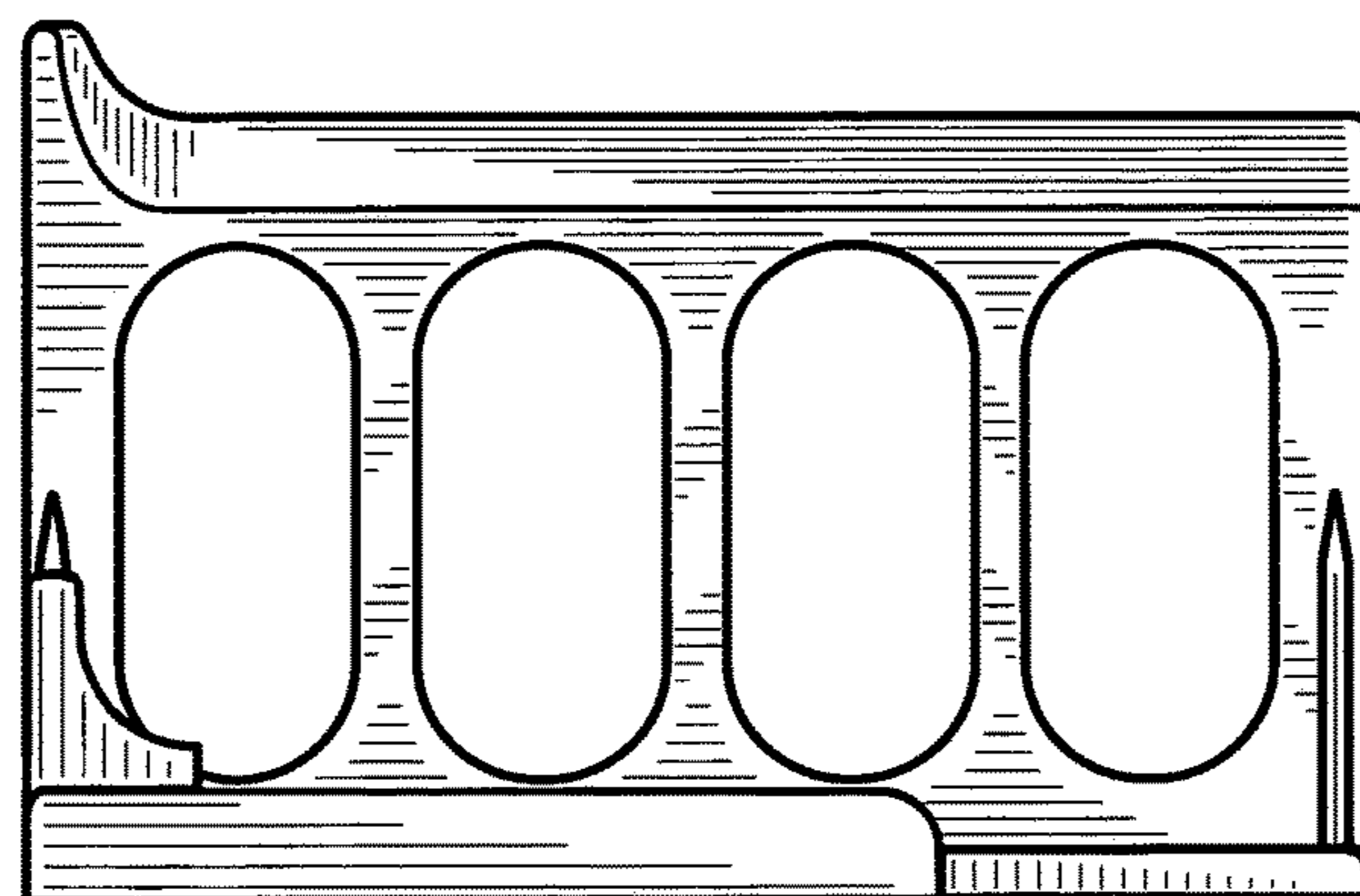


FIG. 5

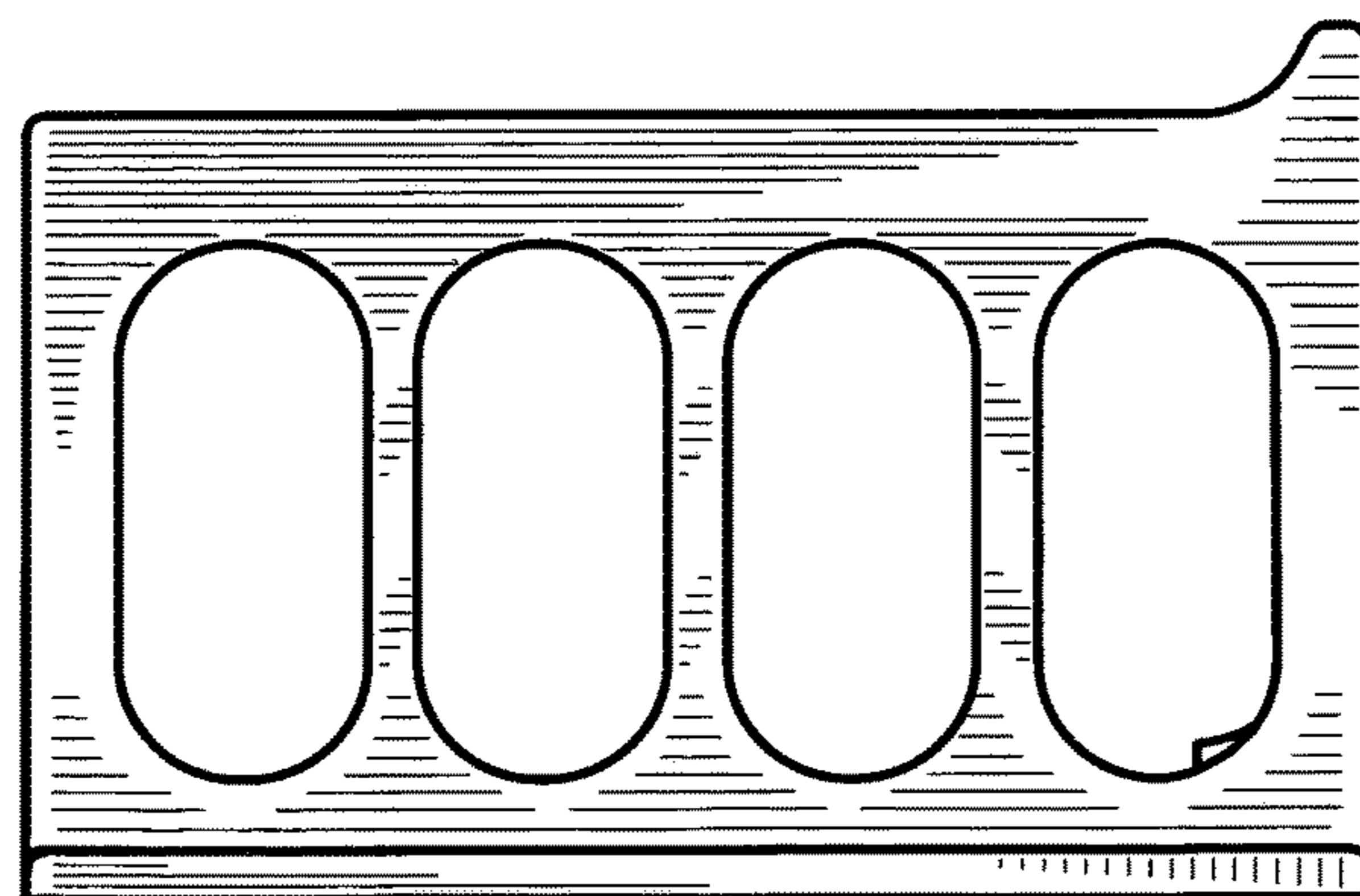


FIG. 6