



US00D784350S

(12) **United States Design Patent**  
**Li**

(10) **Patent No.:** **US D784,350 S**

(45) **Date of Patent:** **\*\* Apr. 18, 2017**

(54) **CASING FOR PORTABLE ELECTRONIC DEVICE**

(71) Applicant: **Jianhui Li**, Shenzhen (CN)

(72) Inventor: **Jianhui Li**, Shenzhen (CN)

(\*\*) Term: **15 Years**

(21) Appl. No.: **29/573,252**

(22) Filed: **Aug. 4, 2016**

(51) **LOC (10) Cl.** ..... **14-02**

(52) **U.S. Cl.**  
USPC ..... **D14/440**

(58) **Field of Classification Search**  
USPC ..... D14/250, 440, 447; 206/45.23, 320,  
206/45.2; 361/679.55; 294/25; 224/218,  
224/222; D9/414; D3/29; D11/3  
CPC .... G06F 1/1628; G06F 1/1667; G06F 1/1626;  
A47B 23/044; H04B 1/3888; A45C 11/00  
See application file for complete search history.

(56) **References Cited**

**U.S. PATENT DOCUMENTS**

D363,511 S	*	10/1995	Hui	.....	D14/341
D384,980 S	*	10/1997	Willems	.....	D21/329
D492,303 S	*	6/2004	Schlieffers	.....	D14/341
D591,801 S	*	5/2009	Mak	.....	D21/469
D594,004 S	*	6/2009	Takemasa	.....	D14/341
D611,467 S	*	3/2010	Gou	.....	D14/315
D613,285 S	*	4/2010	Grant	.....	D14/341
D626,123 S	*	10/2010	Peng	.....	D14/324
D668,661 S	*	10/2012	Norfolk	.....	D14/440
D672,781 S	*	12/2012	Lu	.....	D14/440
D676,449 S	*	2/2013	Probst	.....	D14/440

D679,279 S	*	4/2013	Yang	.....	D14/440
D689,056 S	*	9/2013	Li	.....	D14/440
D690,704 S	*	10/2013	Padilla	.....	D14/440
D691,144 S	*	10/2013	Peters	.....	D14/440
D694,246 S	*	11/2013	Park	.....	D14/440
D703,672 S	*	4/2014	Kim	.....	D14/440
D709,063 S	*	7/2014	Chang	.....	D14/250
D709,064 S	*	7/2014	Chang	.....	D14/250
D712,412 S	*	9/2014	Bleau	.....	D14/440
D727,917 S	*	4/2015	Yeo	.....	D14/440
D752,052 S	*	3/2016	Park	.....	D14/440

\* cited by examiner

*Primary Examiner* — Cynthia Underwood

(74) *Attorney, Agent, or Firm* — Novoclaims Patent Services LLC; Mei Lin Wong

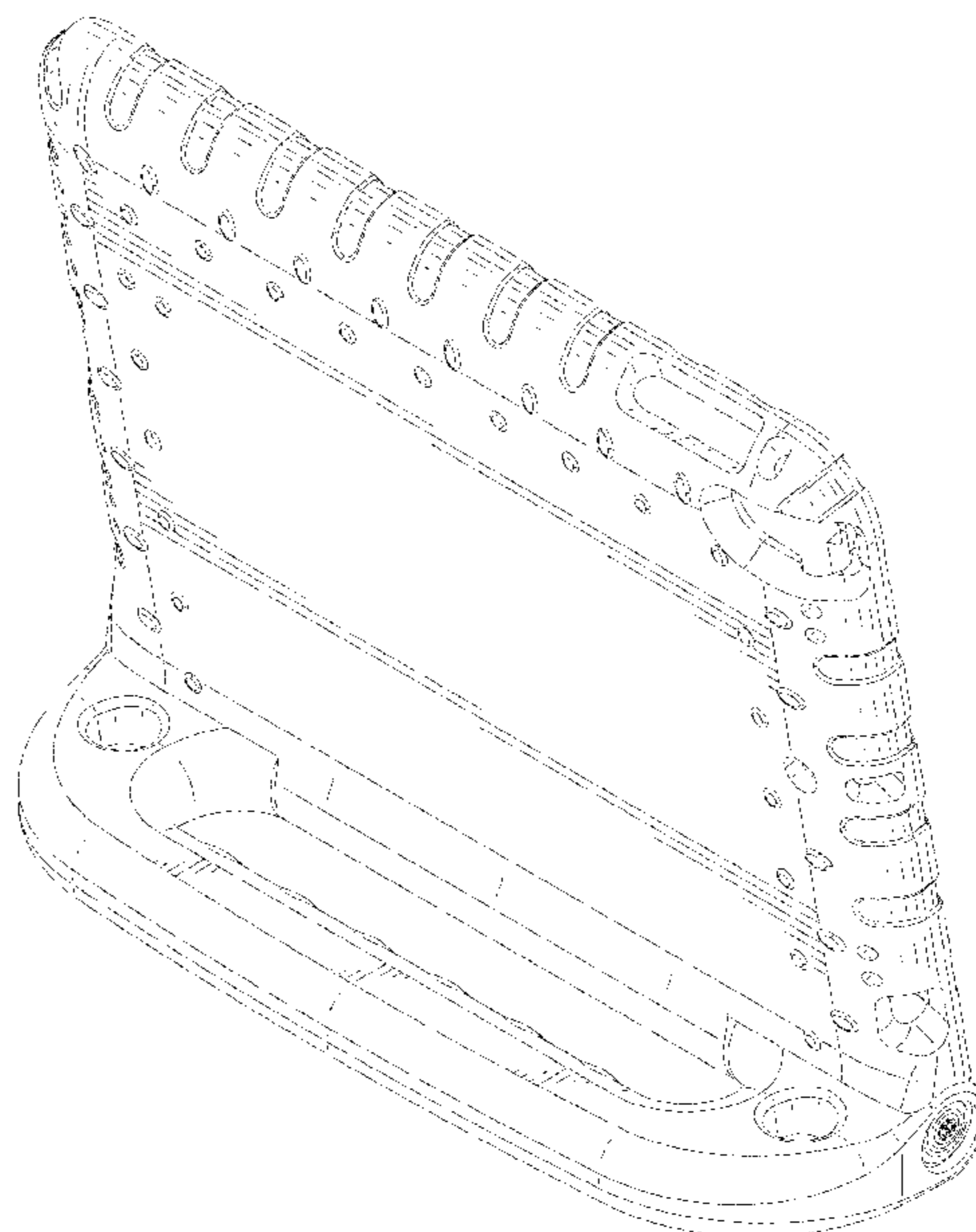
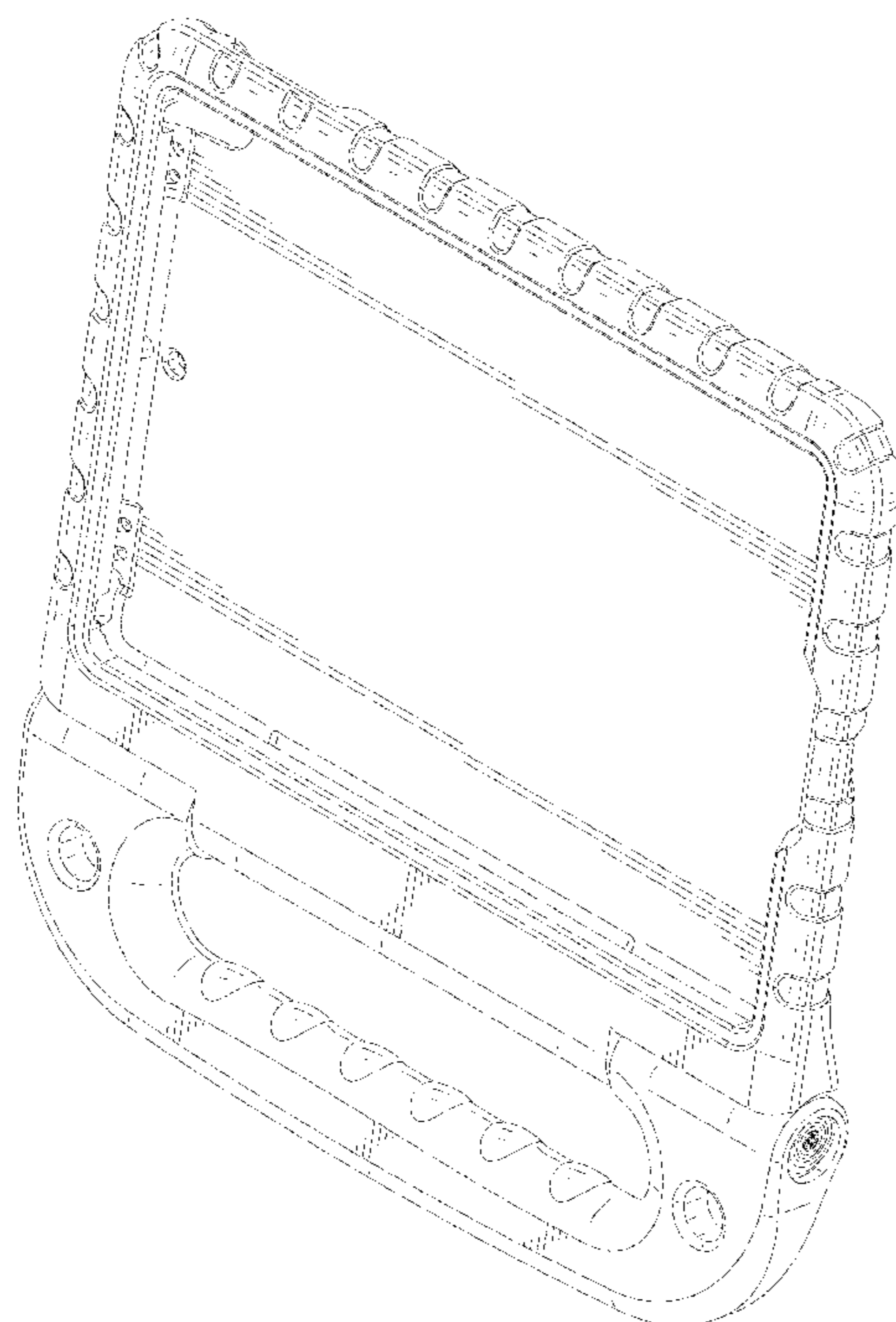
(57) **CLAIM**

The ornamental design for a casing for portable electronic device, as shown and described.

**DESCRIPTION**

FIG. 1 is a front perspective view of a casing for portable electronic device showing my new design.  
FIG. 2 is a rear perspective view thereof.  
FIG. 3 is a front view thereof.  
FIG. 4 is a rear view thereof.  
FIG. 5 is a left end view thereof.  
FIG. 6 is a right end view thereof.  
FIG. 7 is a top view thereof.  
FIG. 8 is a bottom view thereof.  
FIG. 9 is a front perspective view thereof, showing an in-use position; and,  
FIG. 10 is a rear perspective view thereof, showing an in-use position.

**1 Claim, 10 Drawing Sheets**



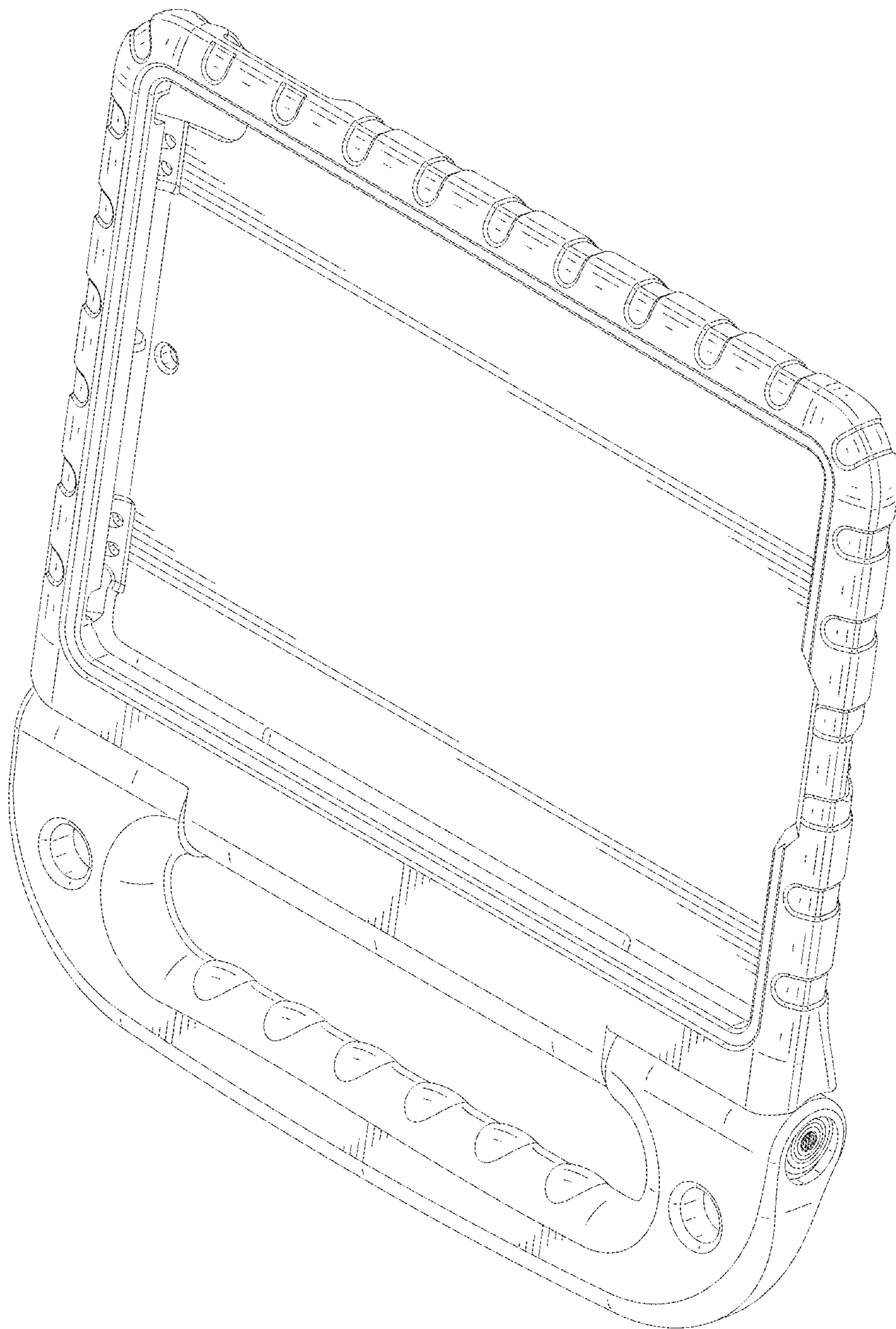


FIG.1

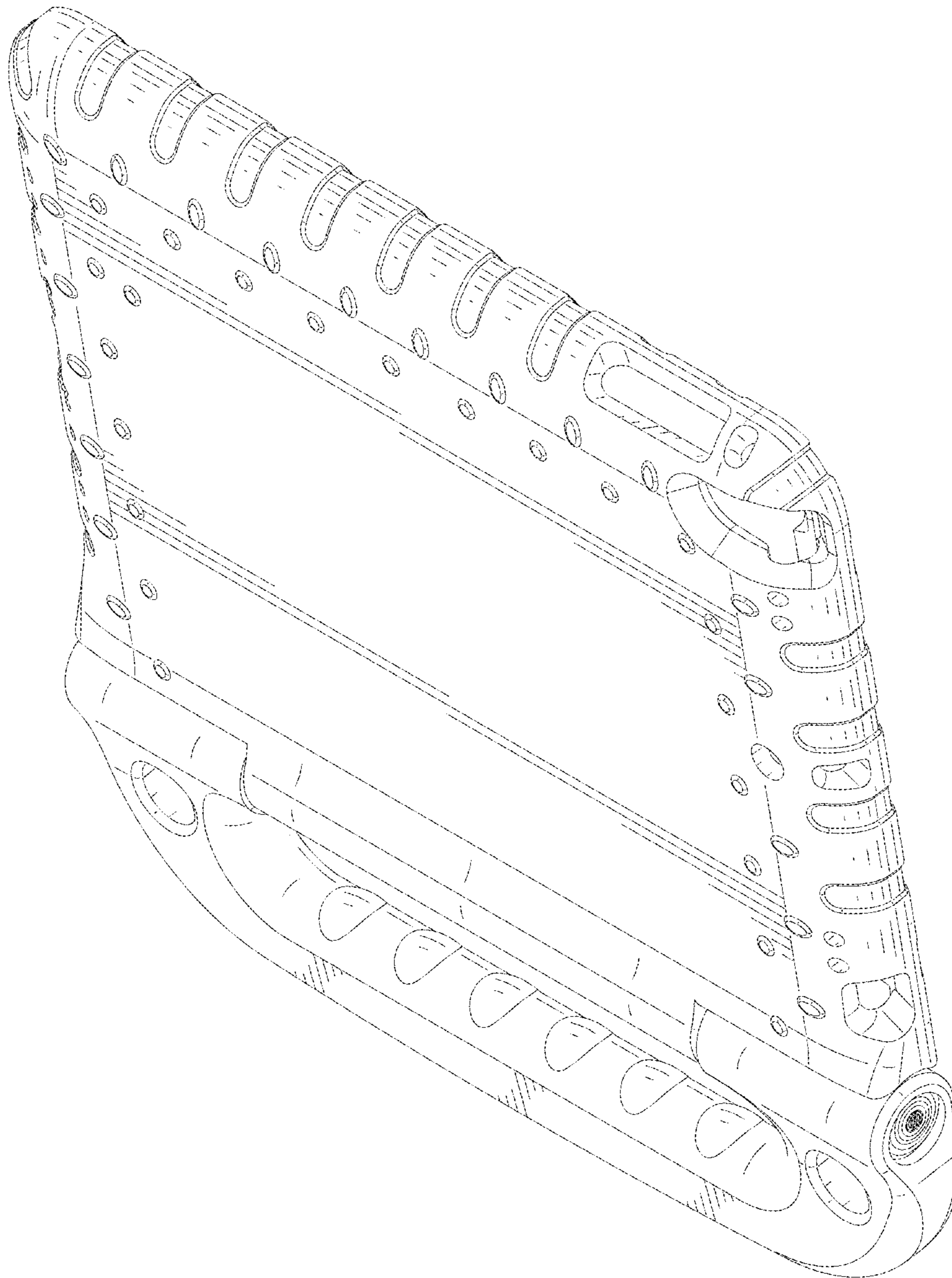


FIG.2

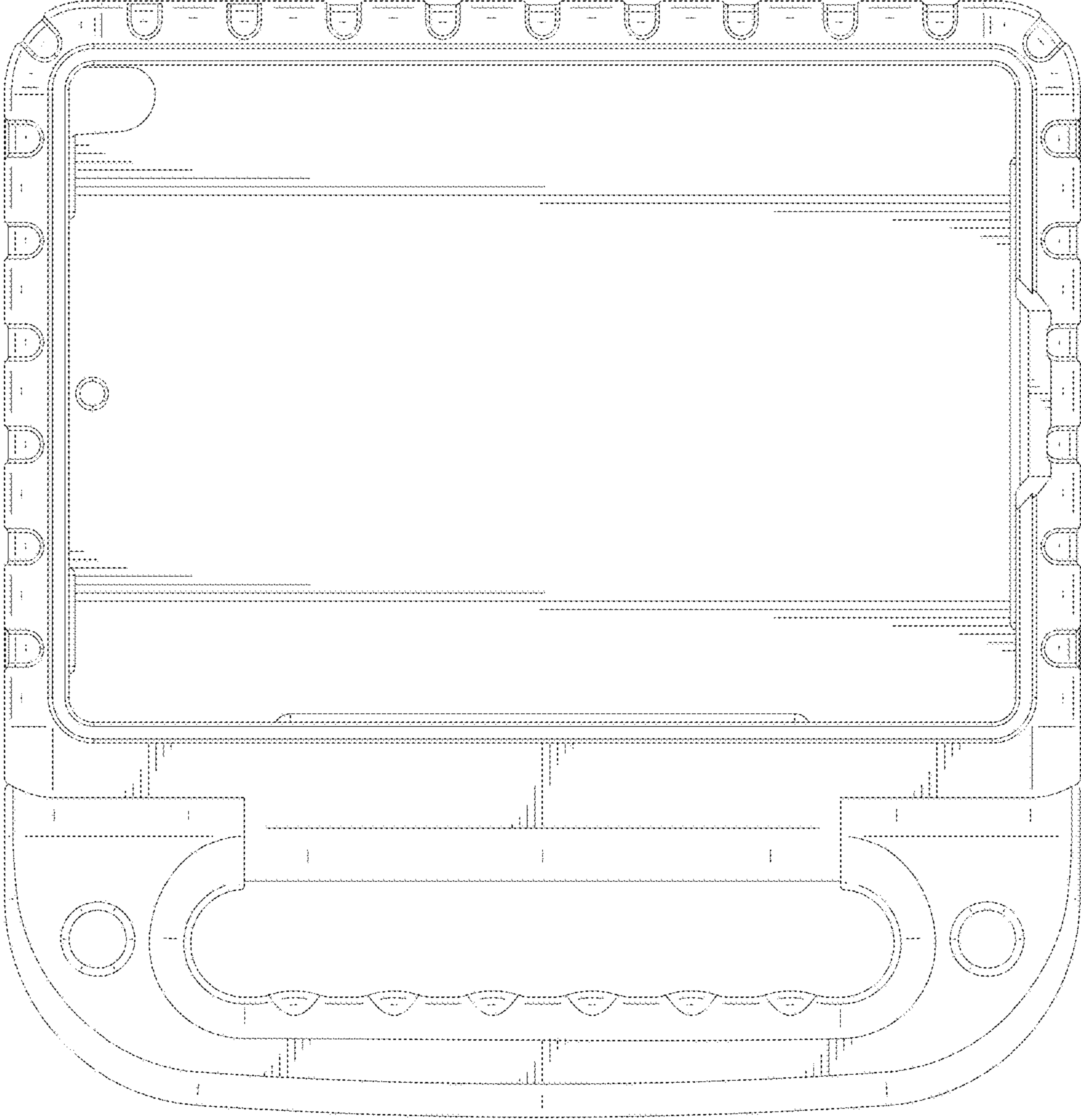


FIG.3

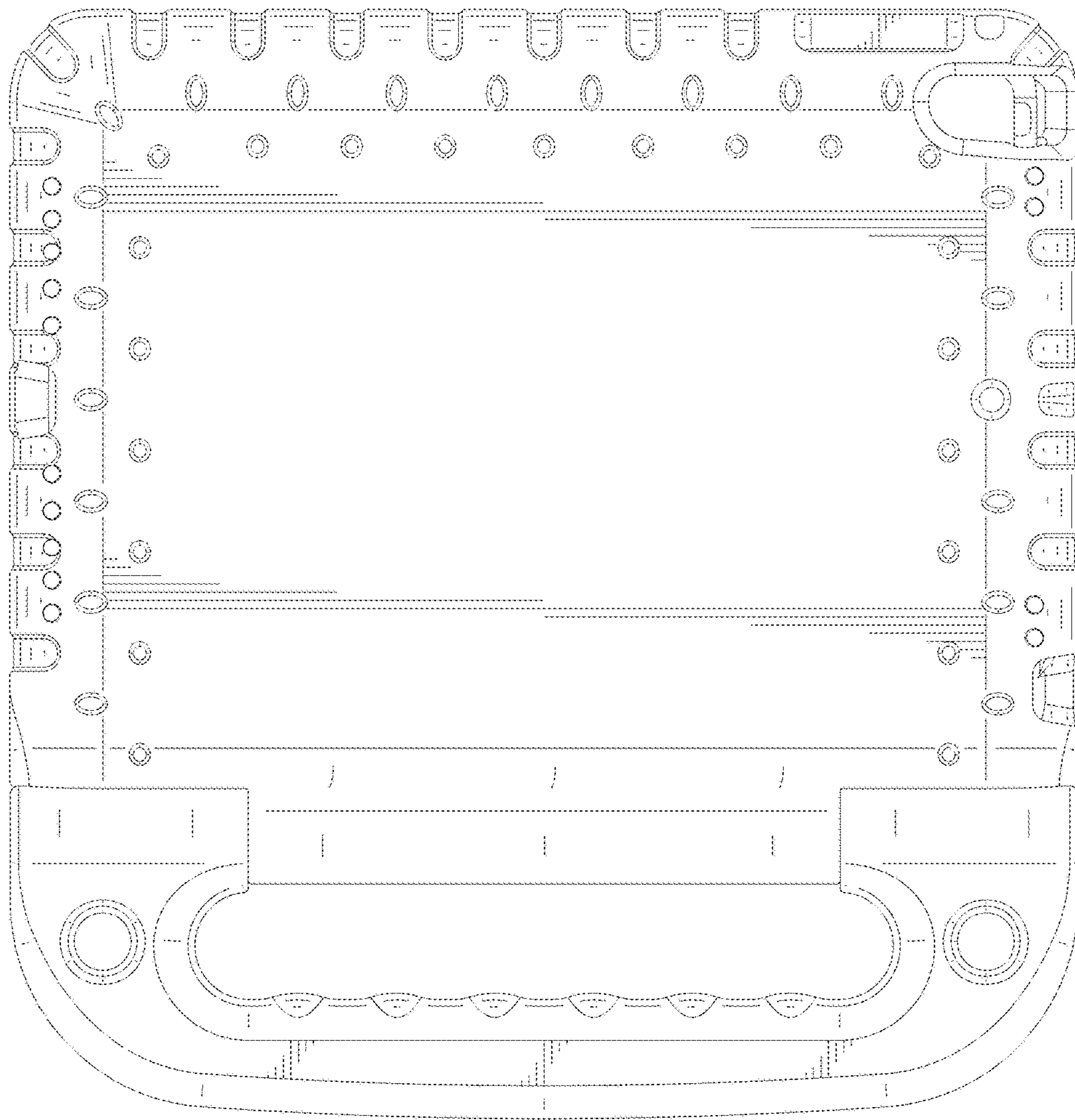


FIG.4

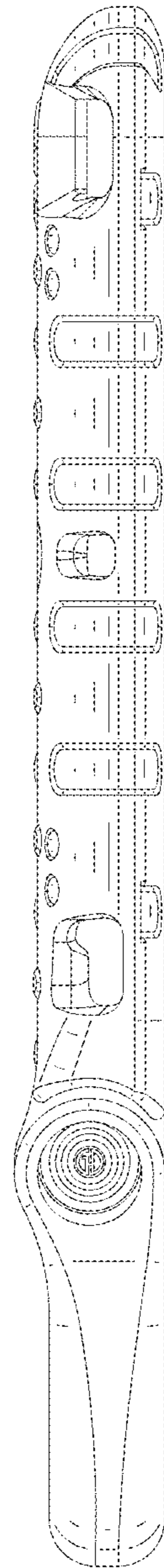


FIG.5

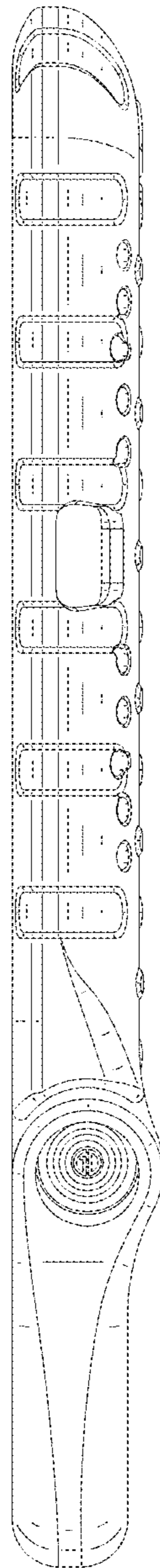


FIG.6

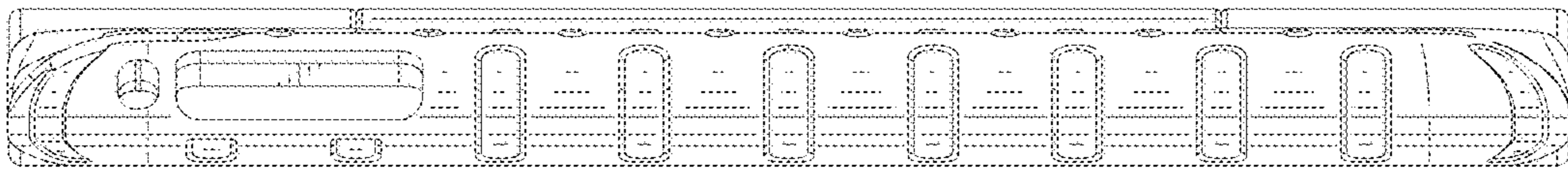


FIG.7



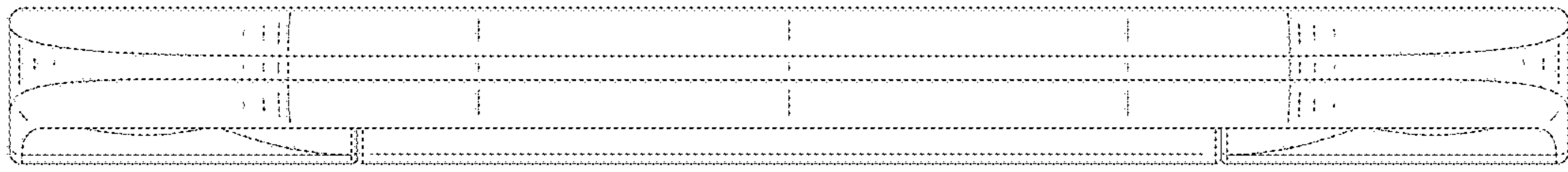


FIG.8

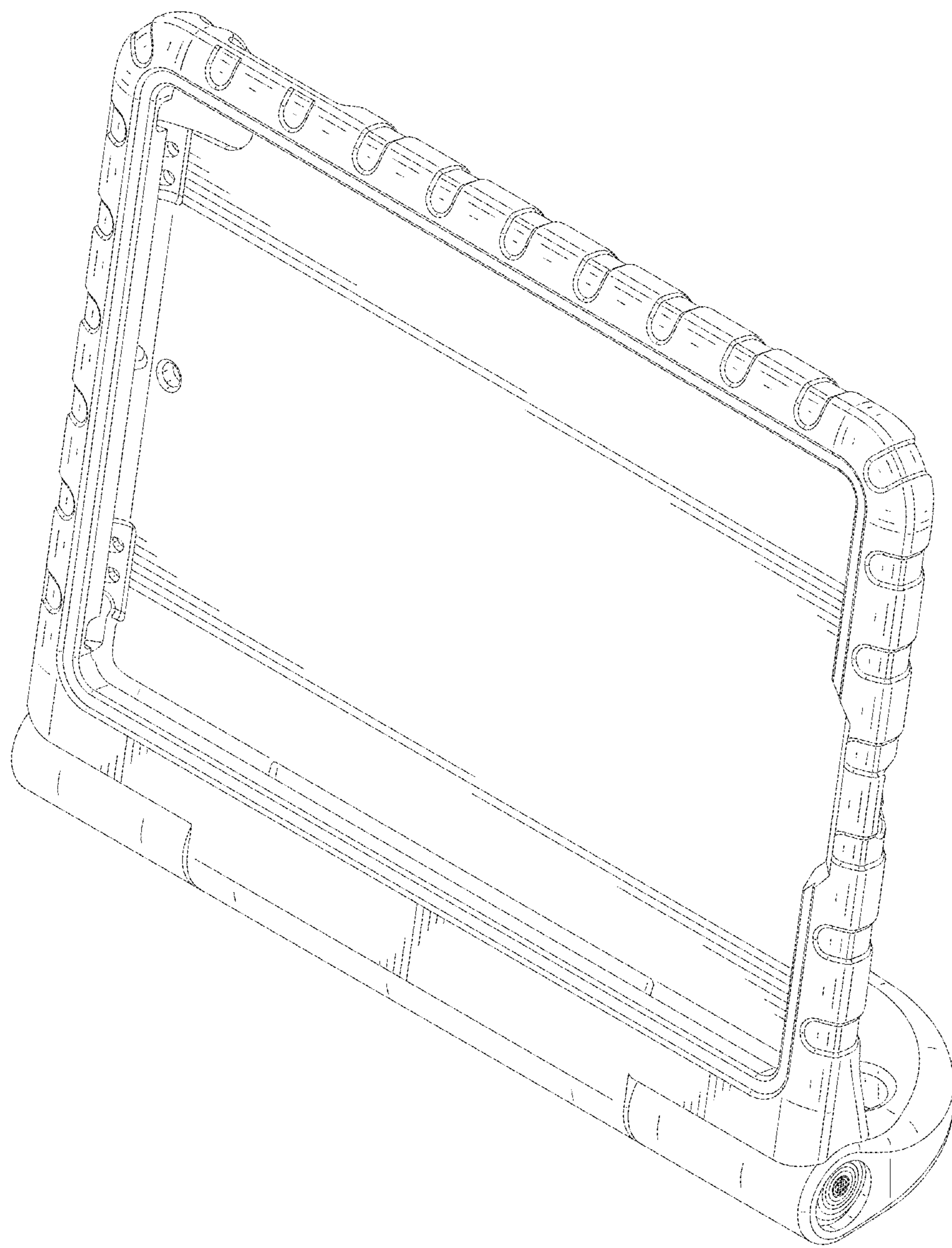


FIG.9

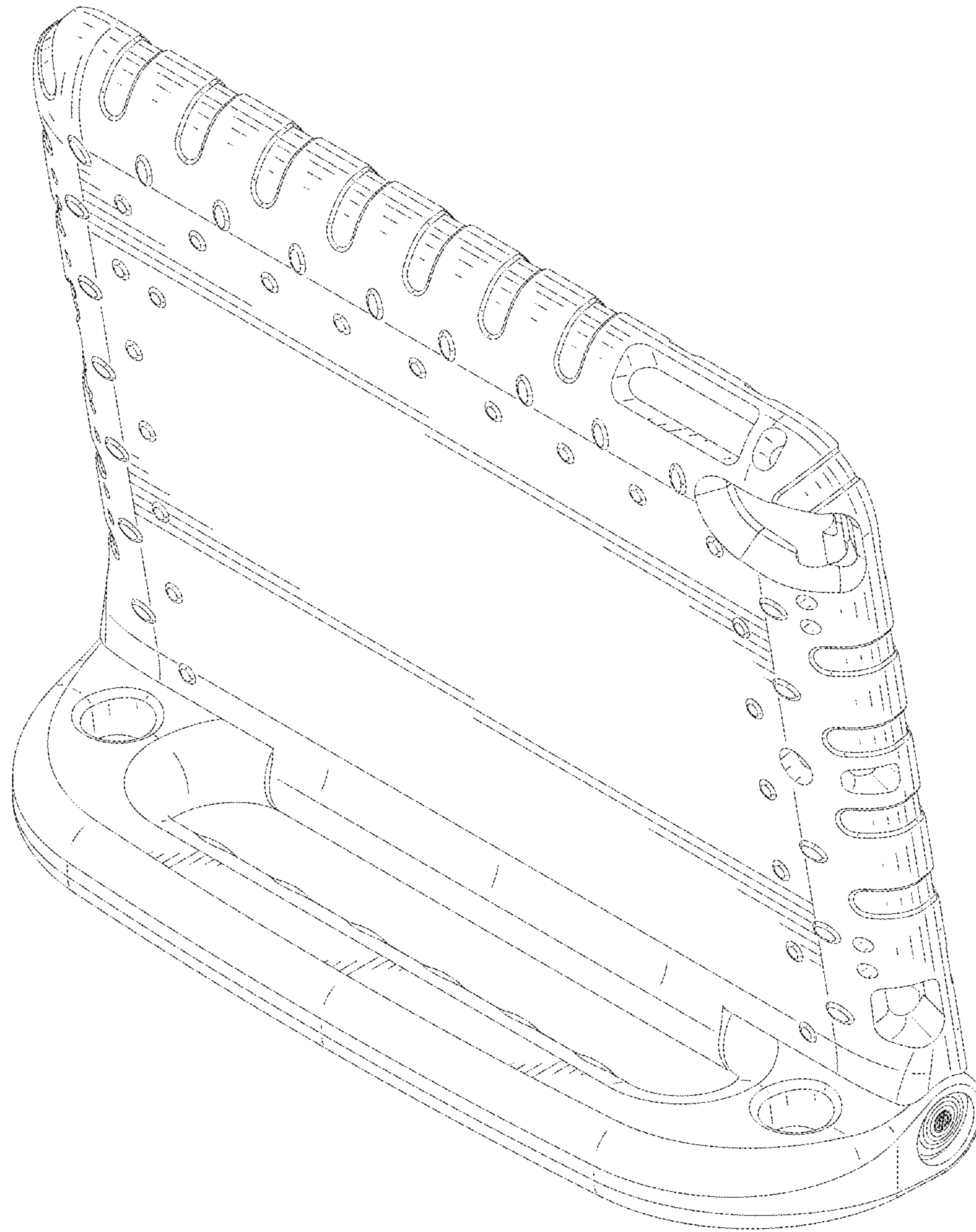


FIG.10