



US00D784349S

(12) **United States Design Patent** (10) **Patent No.:** **US D784,349 S**
Schwibner et al. (45) **Date of Patent:** **** Apr. 18, 2017**

- (54) **ADJUSTABLE FRAME**
- (71) Applicant: **COMPTOLIFE, LLC**, Boca Raton, FL (US)
- (72) Inventors: **Barry Schwibner**, Boca Raton, FL (US); **Brad Schwartz**, Boca Raton, FL (US); **Eric Judge**, Boca Raton, FL (US)
- (73) Assignee: **COMPTOLIFE, LLC**, Boca Raton, FL (US)
- (**) Term: **15 Years**
- (21) Appl. No.: **29/568,402**
- (22) Filed: **Jun. 17, 2016**
- (51) **LOC (10) Cl.** **14-02**
- (52) **U.S. Cl.**
USPC **D14/440**
- (58) **Field of Classification Search**
USPC ... D14/440, 250, 447; 206/45.23, 320, 45.2; 361/679.55; 294/25; 224/218
CPC ... G06F 1/1628; G06F 1/1626; A47B 23/044; H04B 1/3888
See application file for complete search history.

- (56) **References Cited**
U.S. PATENT DOCUMENTS
- | | | | | |
|----------------|---------|-------------|-------|-------------------------|
| D659,132 S * | 5/2012 | Wen | | D14/250 |
| D662,929 S * | 7/2012 | Fahrendorff | | D14/250 |
| D671,930 S * | 12/2012 | Akana | | D14/250 |
| D674,789 S * | 1/2013 | Wen | | D14/250 |
| D678,262 S * | 3/2013 | Prato | | D14/250 |
| 8,523,124 B2 * | 9/2013 | Yuan | | F16M 11/10
248/188.8 |
| D696,240 S * | 12/2013 | Kim | | D14/250 |
| D698,775 S * | 2/2014 | Huang | | D14/250 |
| D703,649 S * | 4/2014 | Wikel | | D14/250 |

- | | | | | |
|-------------------|---------|------------|-------|-------------------------|
| D714,295 S * | 9/2014 | Fujioka | | D14/440 |
| D720,341 S * | 12/2014 | Sharudenko | | D14/250 |
| D754,133 S * | 4/2016 | Chen | | D14/440 |
| D754,651 S * | 4/2016 | Roberts | | D14/250 |
| D756,344 S * | 5/2016 | Roberts | | D14/250 |
| D761,263 S * | 7/2016 | Brinkman | | D14/440 |
| D762,203 S * | 7/2016 | Chin | | D14/250 |
| 2011/0297578 A1 * | 12/2011 | Stiehl | | B29C 45/1676
206/701 |
| 2012/0018325 A1 * | 1/2012 | Kim | | A45C 11/00
206/320 |
| 2012/0043236 A1 * | 2/2012 | Szucs | | A45C 11/00
206/320 |
| 2012/0182678 A1 * | 7/2012 | Wu | | A45F 5/10
361/679.01 |

(Continued)

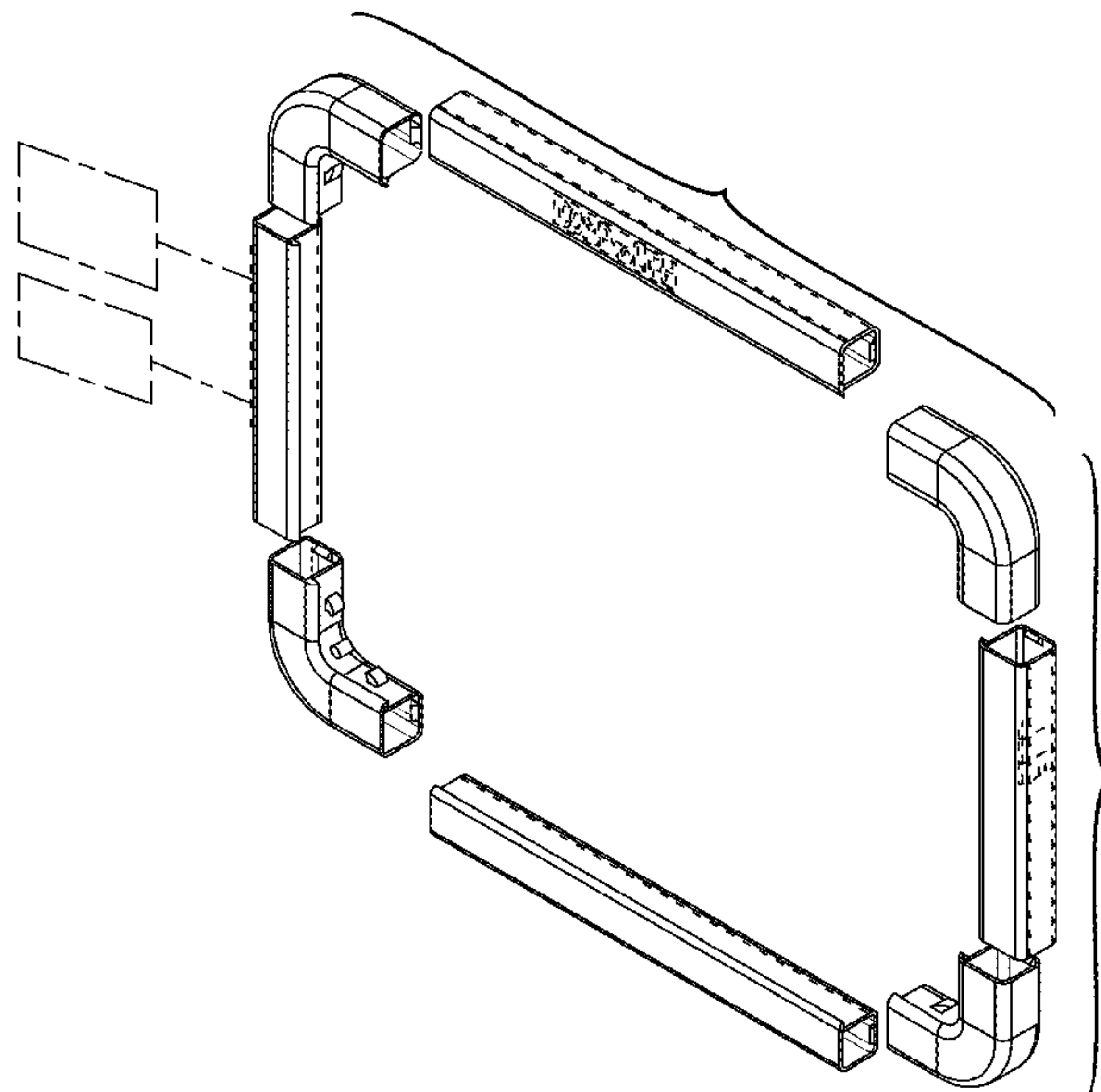
Primary Examiner — Cynthia Underwood
(74) *Attorney, Agent, or Firm* — The Roy Gross Law Firm, LLC; Roy Gross

(57) **CLAIM**
The ornamental design for an adjustable frame, as shown and described.

DESCRIPTION

FIG. 1 is a front isometric view of an adjustable frame in accordance with the new design;
FIG. 2 is a front view thereof;
FIG. 3 is a right side elevation view thereof;
FIG. 4 is a rear view thereof;
FIG. 5 is a left side elevation view thereof;
FIG. 6 is a bottom elevation view thereof;
FIG. 7 is a top elevation view thereof; and,
FIG. 8 is a front exploded isometric view thereof.
The broken lines that are part of the structure form no part of the claim. The broken line rectangles that are off to the far side of the claim represent environment and form no part of the claim.

1 Claim, 8 Drawing Sheets



(56)

References Cited

U.S. PATENT DOCUMENTS

2012/0257340 A1* 10/2012 Kim H04B 1/3888
361/679.01
2015/0314845 A1* 11/2015 Yoshida F16J 12/00
114/339

* cited by examiner

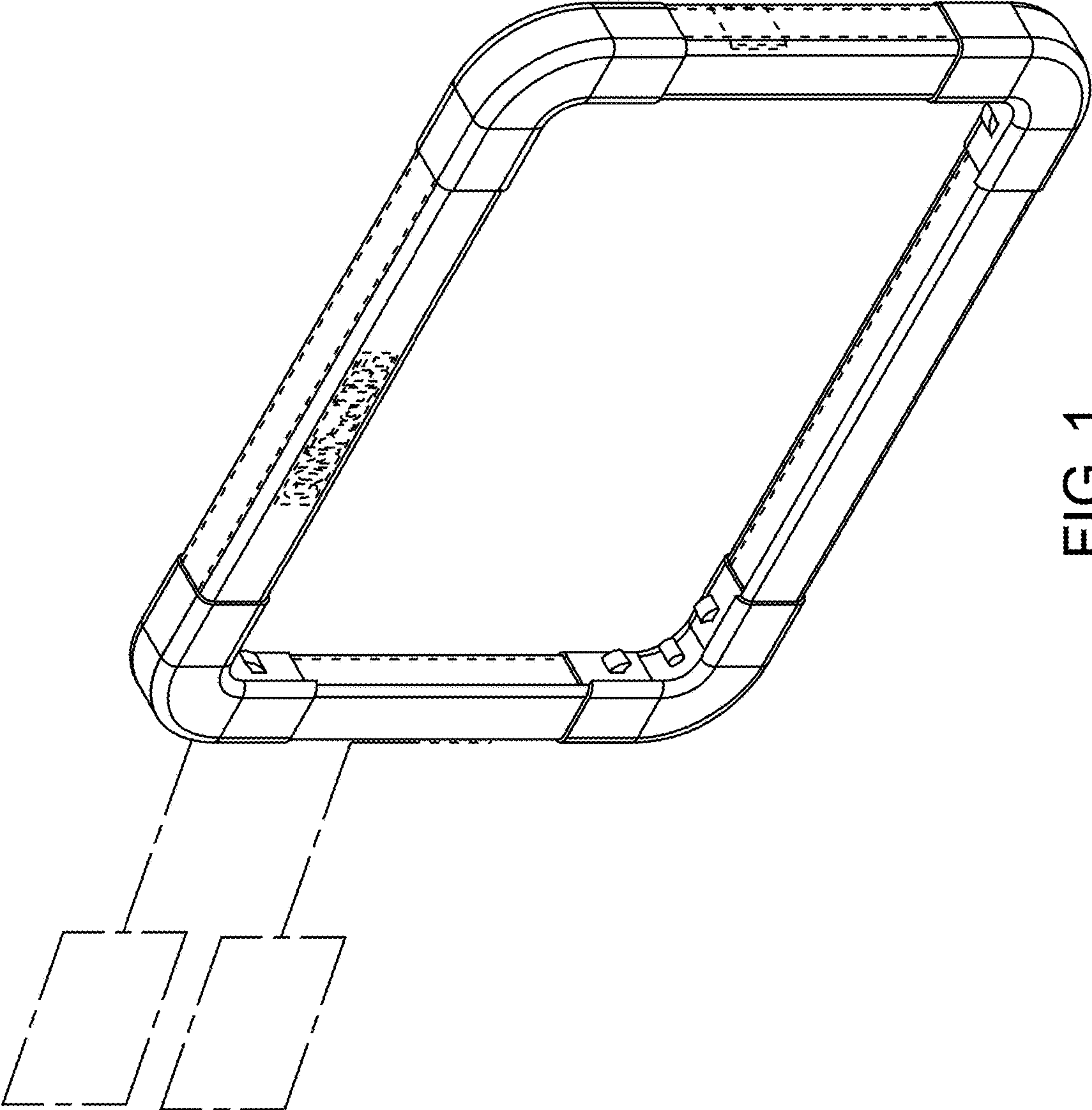


FIG. 1

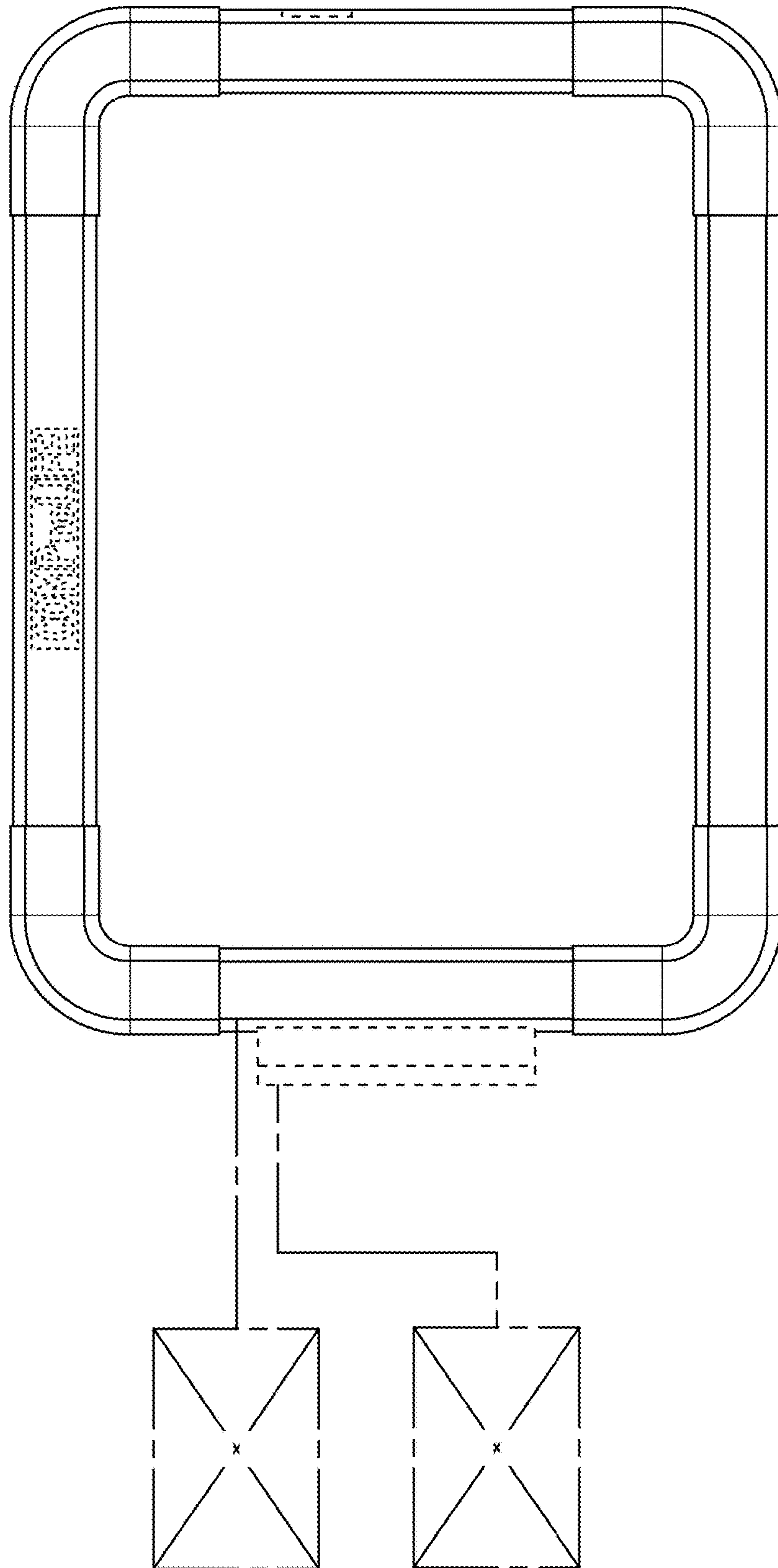


FIG. 2

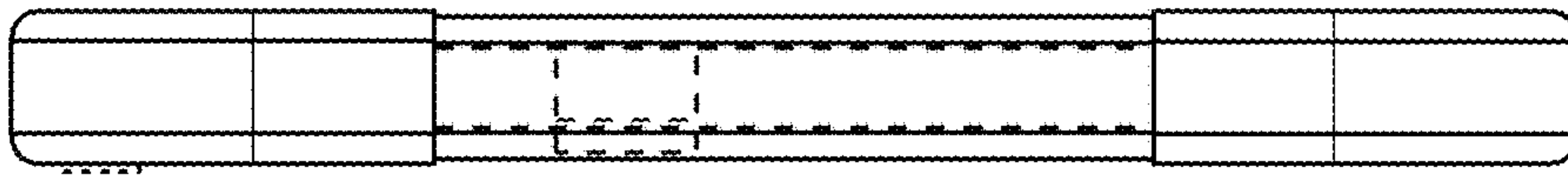


FIG. 3

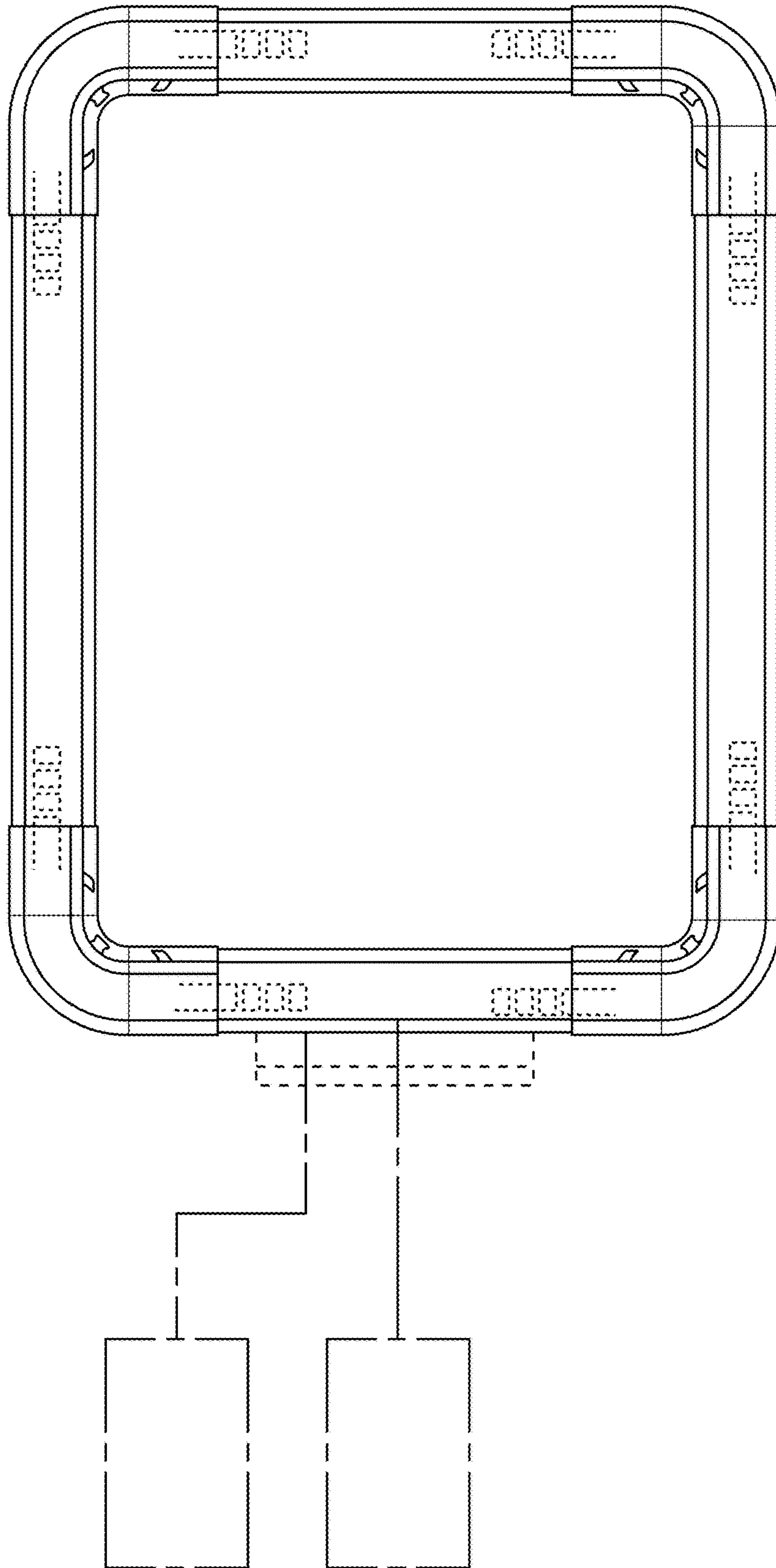


FIG. 4

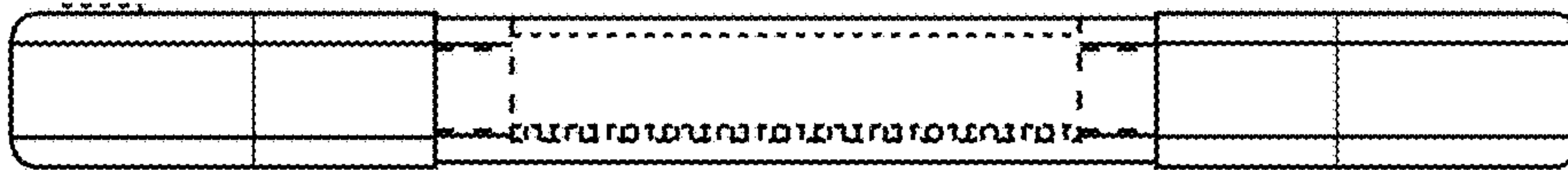


FIG. 5



FIG. 6

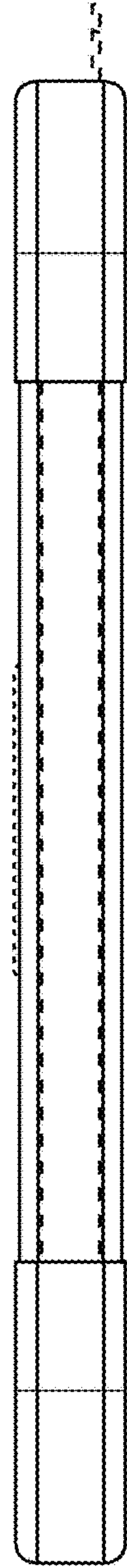


FIG. 7

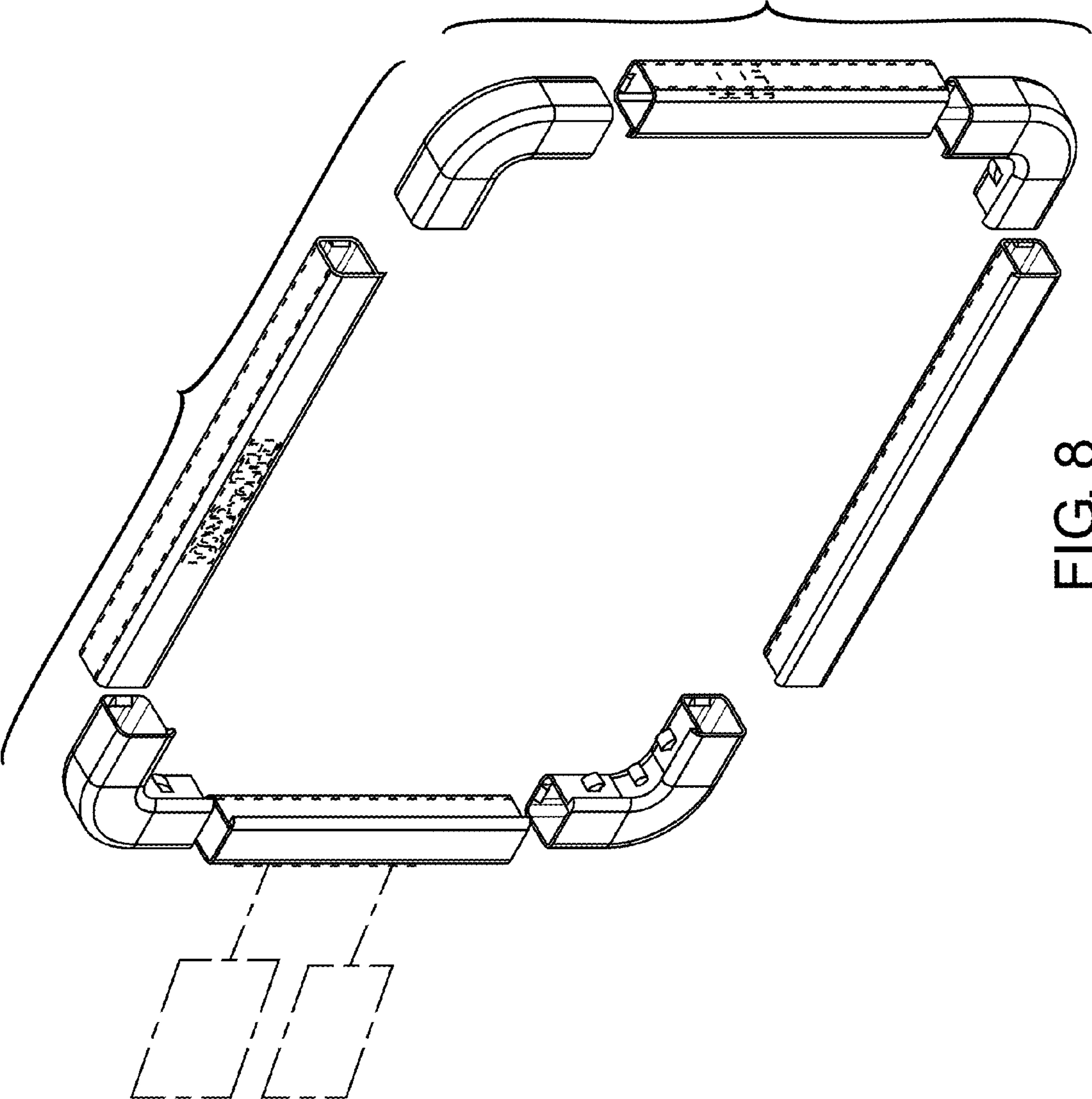


FIG. 8