



US00D784348S

(12) **United States Design Patent**
Zhang

(10) **Patent No.:** **US D784,348 S**

(45) **Date of Patent:** **** Apr. 18, 2017**

(54) **FLIP STAND LEATHER PROTECTIVE CASE**

(71) Applicant: **Zhiguang Zhang**, Guangzhou (CN)

(72) Inventor: **Zhiguang Zhang**, Guangzhou (CN)

(**) Term: **15 Years**

(21) Appl. No.: **29/539,773**

(22) Filed: **Sep. 17, 2015**

(51) **LOC (10) Cl.** **14-02**

(52) **U.S. Cl.**
USPC **D14/440**

(58) **Field of Classification Search**
USPC D14/250, 440, 447; 206/45.23, 320,
206/45.2; 361/679.55; 294/25; 224/218
CPC G06F 1/1628; G06F 1/1613; G06F 1/1626;
A47B 23/044
See application file for complete search history.

(56) **References Cited**

U.S. PATENT DOCUMENTS

| | | | | |
|--------------|---------|--------------------------|-------|---------|
| D356,120 S * | 3/1995 | Allen | | D21/335 |
| D364,191 S * | 11/1995 | Allen | | D21/335 |
| D467,429 S * | 12/2002 | Bone | | D3/294 |
| D658,187 S * | 4/2012 | Diebel | | D14/440 |
| D658,188 S * | 4/2012 | Diebel | | D14/440 |
| D658,877 S * | 5/2012 | Janus | | D3/301 |
| D663,304 S * | 7/2012 | Akana | | D14/440 |
| D672,781 S * | 12/2012 | Lu | | D14/440 |
| D678,260 S * | 3/2013 | Bau | | D14/132 |
| D679,279 S * | 4/2013 | Yang | | D14/440 |
| D679,715 S * | 4/2013 | Akana | | D14/440 |
| D681,641 S * | 5/2013 | Van Den Nieuwenhuizen | | D14/440 |
| D687,438 S * | 8/2013 | Lu | | D14/440 |
| D691,142 S * | 10/2013 | Diebel | | D14/440 |
| D696,253 S * | 12/2013 | Akana | | D14/345 |
| D696,669 S * | 12/2013 | Akana | | D14/440 |
| D713,848 S * | 9/2014 | Akana | | D14/440 |
| D714,791 S * | 10/2014 | Liu | | D14/440 |
| D726,731 S * | 4/2015 | Kim | | D14/440 |

| | | | | |
|------------------|--------|---------|-------|------------------------|
| 2009/0107858 A1* | 4/2009 | Huang | | A45C 9/00 206/214 |
| 2013/0020216 A1* | 1/2013 | Chiou | | G06F 1/1626 206/320 |
| 2013/0048520 A1* | 2/2013 | Garrett | | A45F 5/00 206/320 |
| 2013/0233762 A1* | 9/2013 | Balaji | | B65D 25/00 206/736 |

* cited by examiner

Primary Examiner — Cynthia Underwood
(74) *Attorney, Agent, or Firm* — Novoclaims Patent Services LLC; Mei Lin Wong

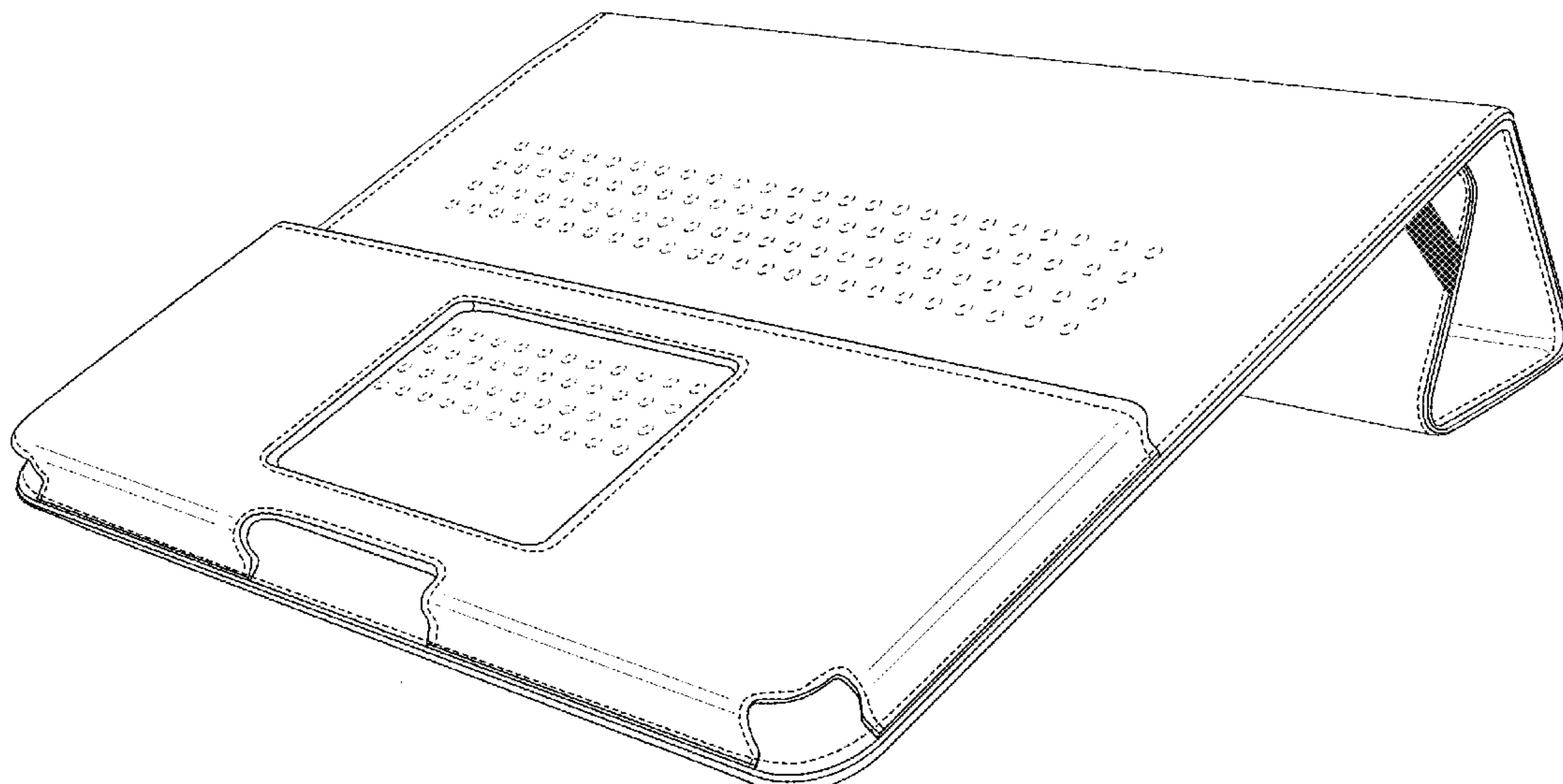
(57) **CLAIM**

The ornamental design of a flip stand leather protective case, substantially as shown and described.

DESCRIPTION

FIG. 1 is a perspective view of a flip stand leather protective case in accordance with the present invention. FIG. 2 is an enlarged front view thereof. FIG. 3 is an enlarged perspective view showing from another view angle thereof. FIG. 4 is an enlarged right end view thereof. FIG. 5 is an enlarged left view thereof. FIG. 6 is an enlarged bottom view thereof. FIG. 7 is an enlarged top view thereof. FIG. 8 is a perspective view thereof showing a folding position in use. FIG. 9 is an enlarged rear view thereof; and, FIG. 10 is a perspective view thereof showing another folding position in use. The broken lines along edges of the front cover, the rear cover and the pocket of the flip stand leather protective case represent stitching and form part of the claim. The broken lines in the circles of FIGS. 8 and 9 represent unclaimed subject matter and form no part of the claim.

1 Claim, 10 Drawing Sheets



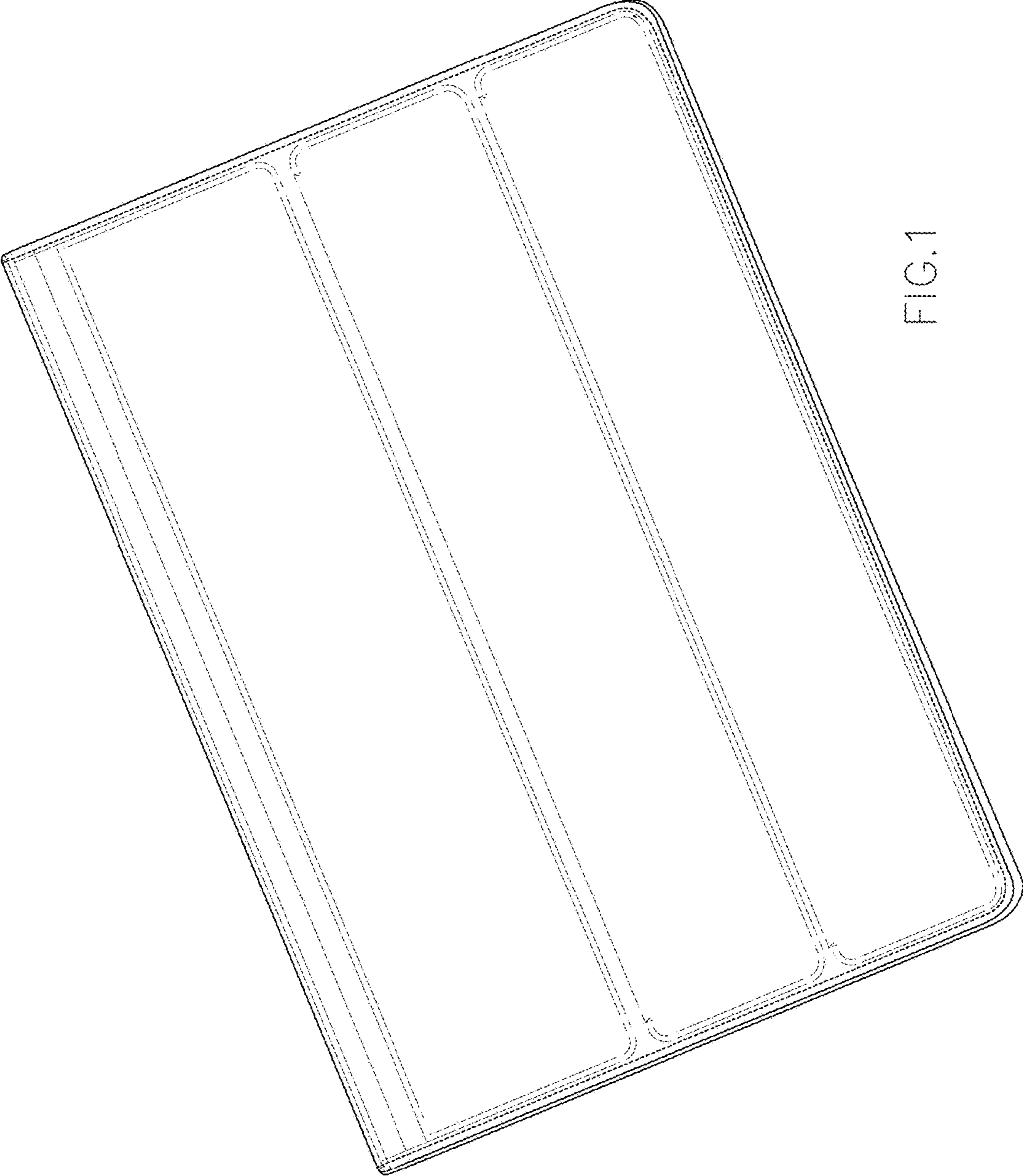


FIG.1

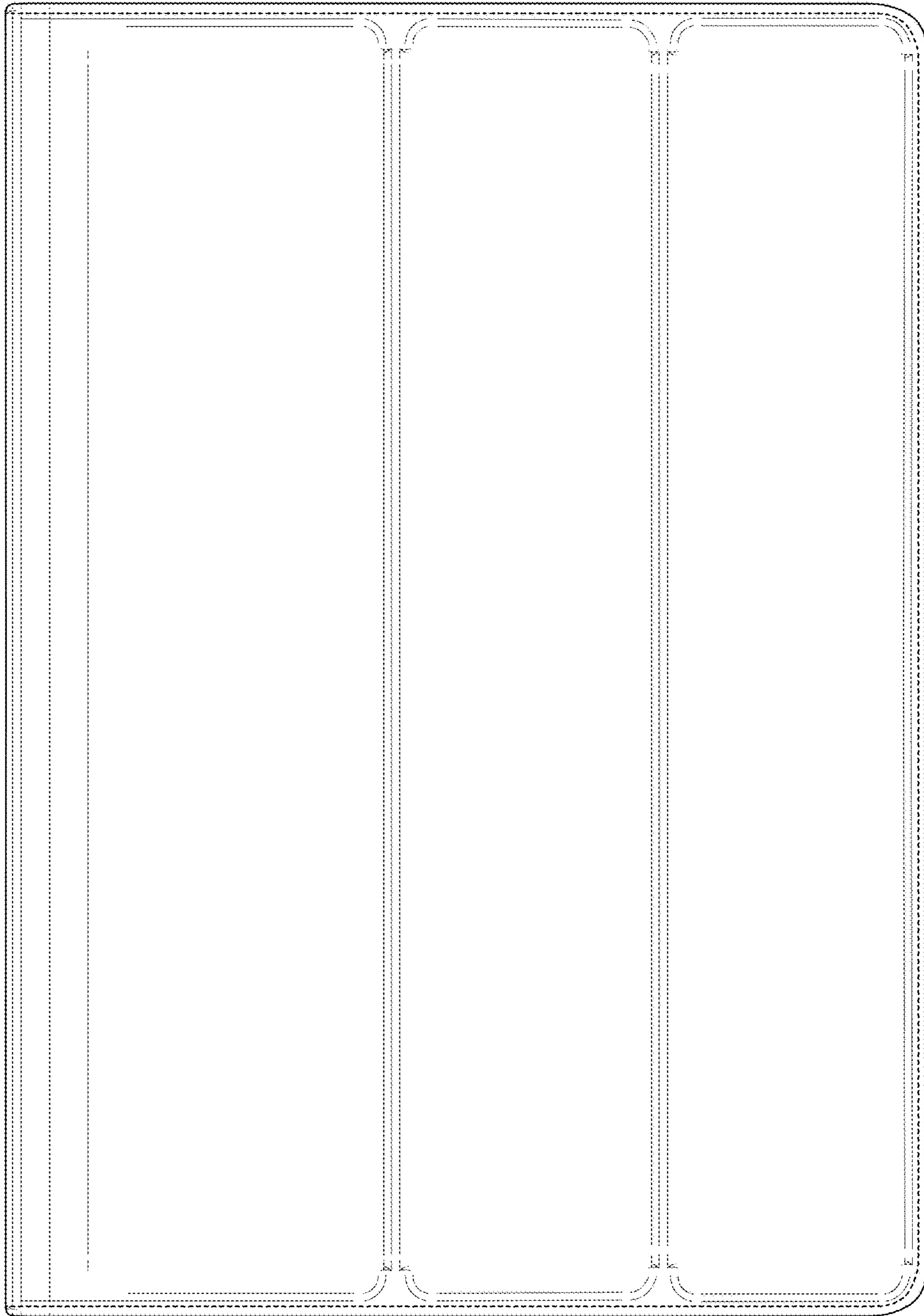


FIG. 2

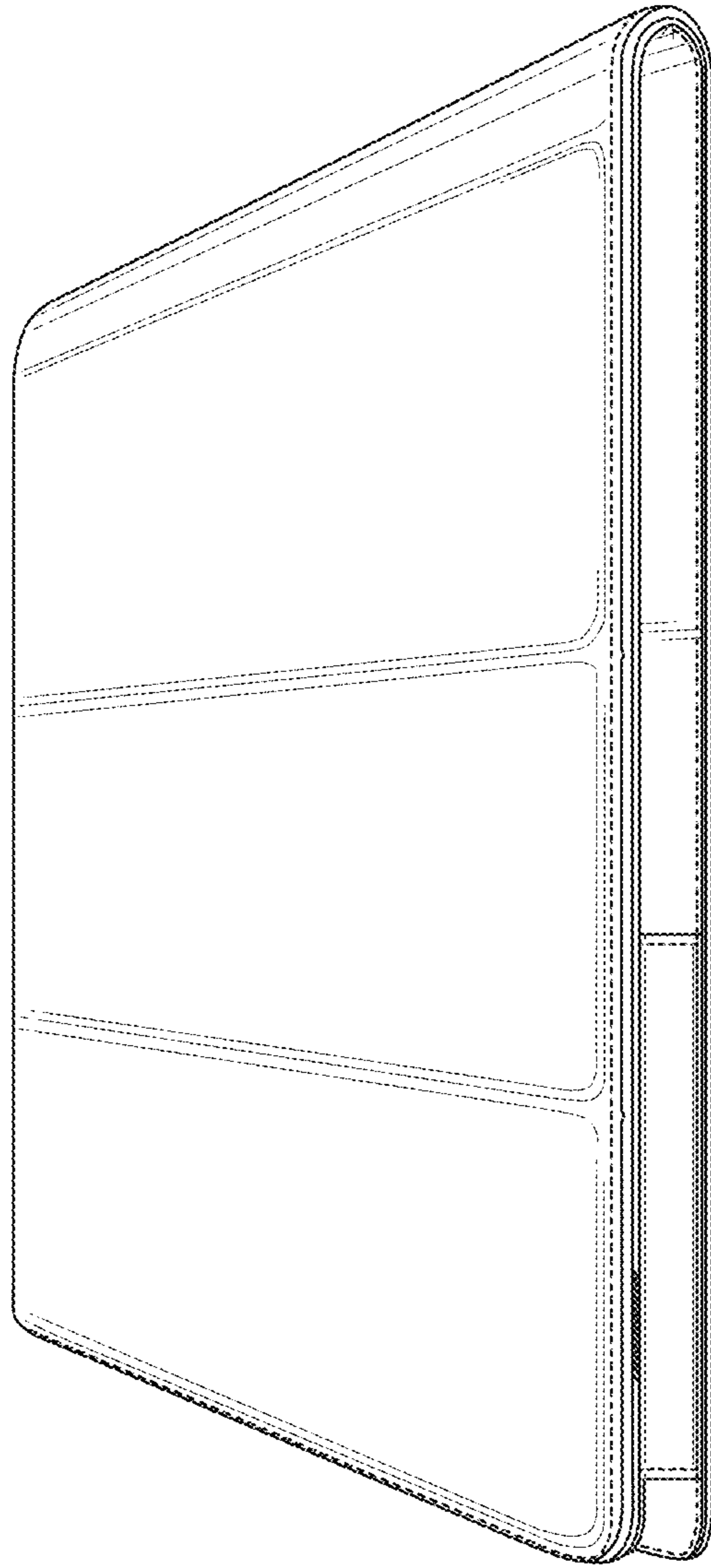


FIG. 3



FIG. 4



FIG. 5

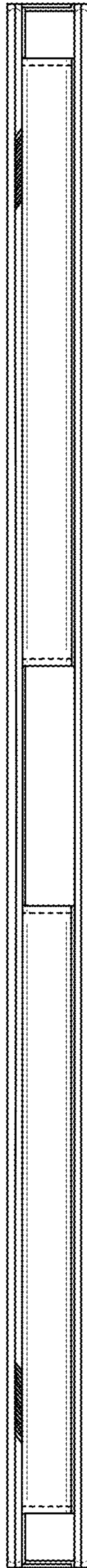


FIG. 6

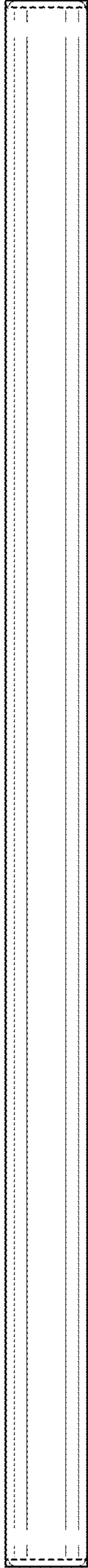


FIG. 7

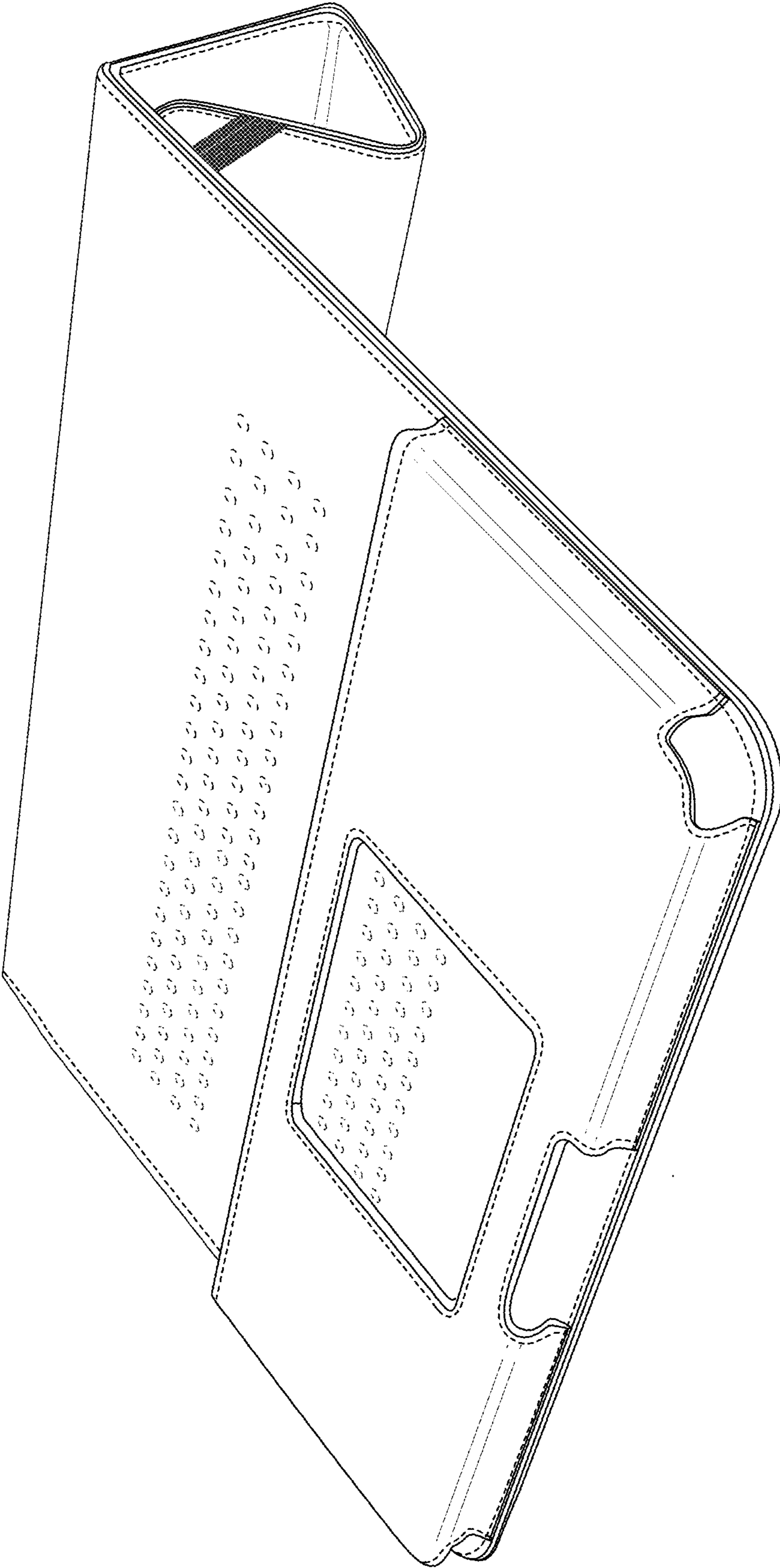


FIG. 8

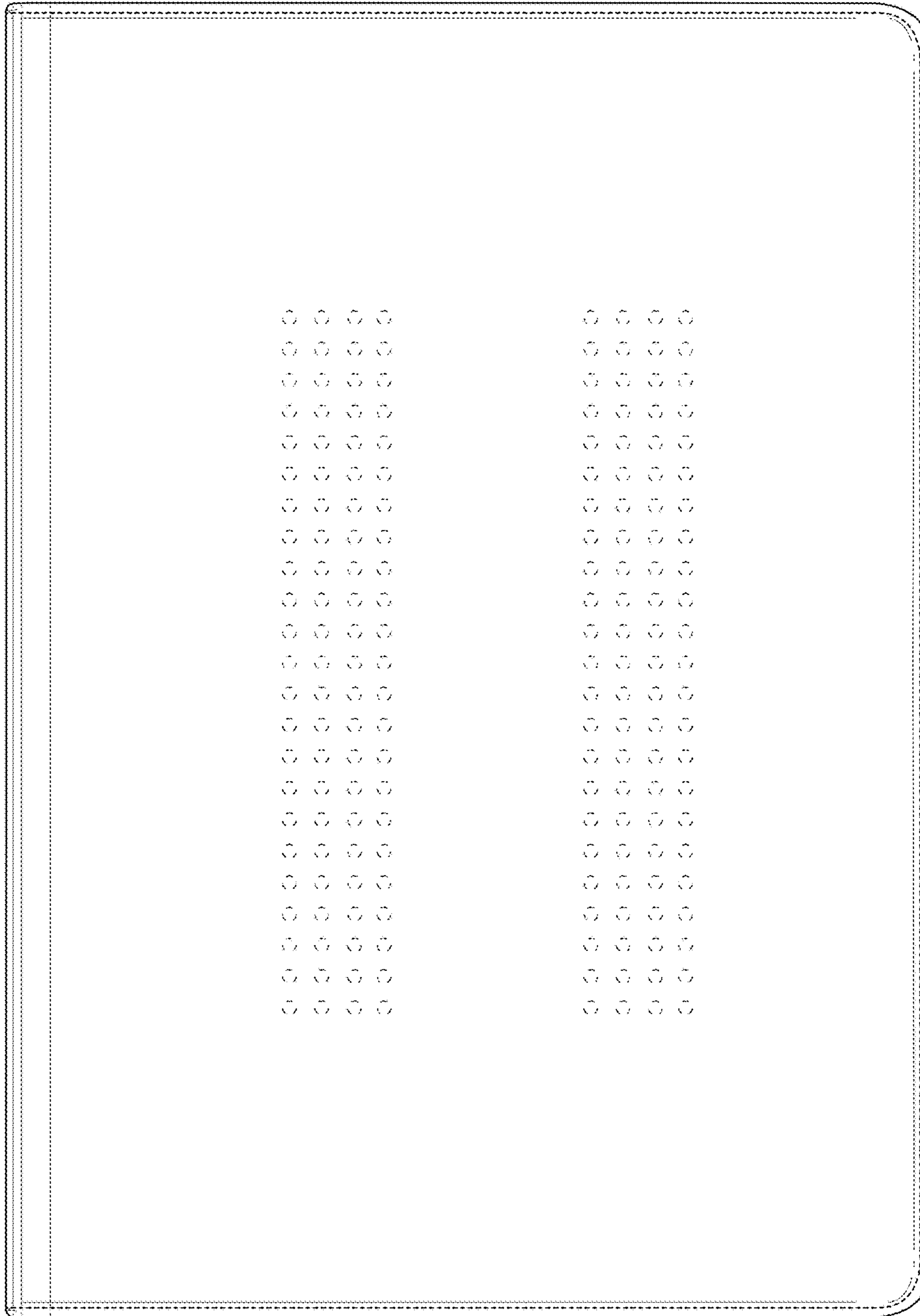


FIG. 9

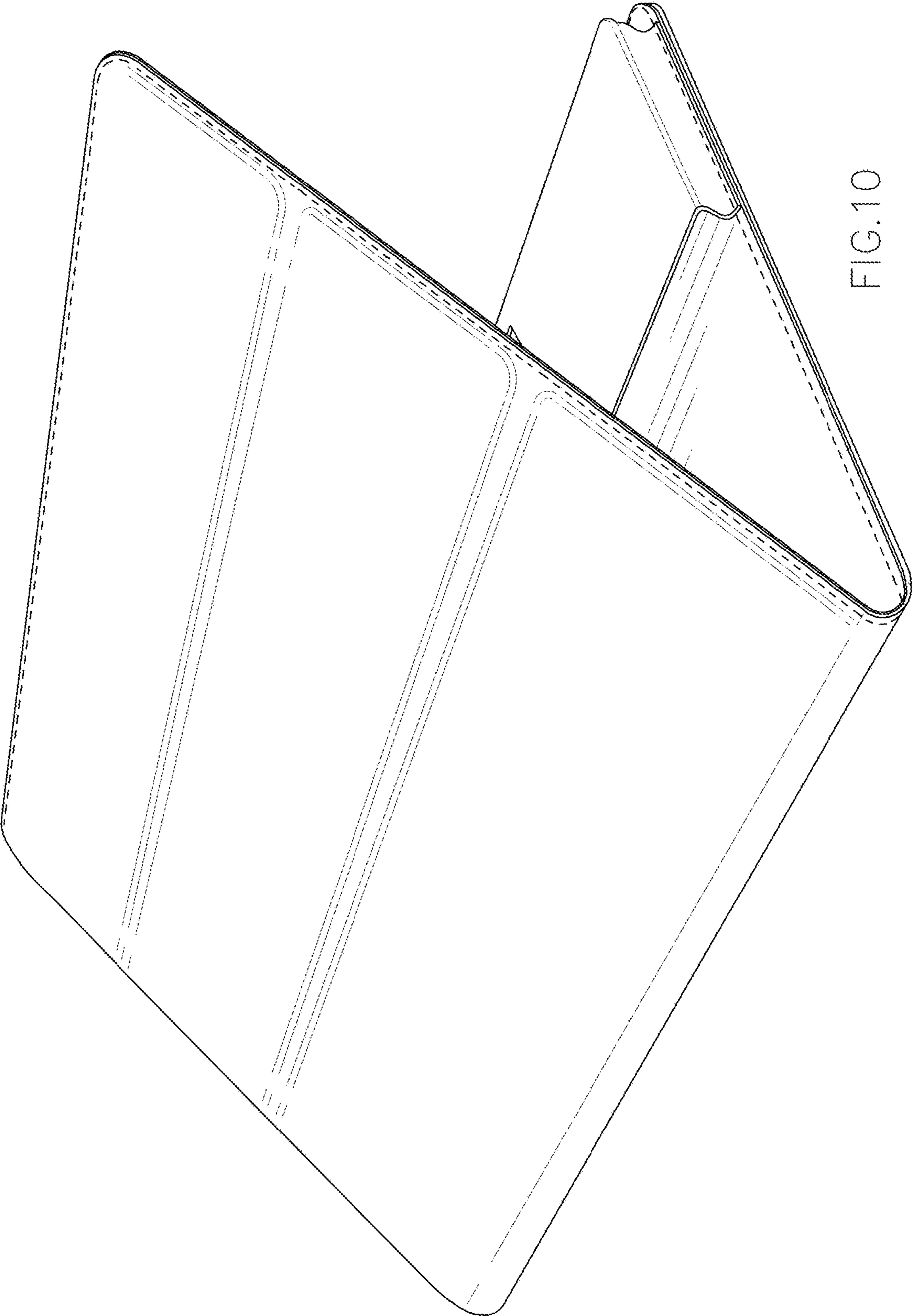


FIG.10