



US00D784347S

(12) **United States Design Patent** (10) **Patent No.:** **US D784,347 S**
Sirichai (45) **Date of Patent:** **** Apr. 18, 2017**

(54) **UNIVERSAL DEVICE-HOLDING MECHANISM FOR A MOBILE COMMUNICATIONS DEVICE**

(71) Applicant: **Saharut Sirichai**, Bangkok (TH)

(72) Inventor: **Saharut Sirichai**, Bangkok (TH)

(73) Assignee: **WORLD RICHMAN MANUFACTURING CORPORATION**, Elgin, IL (US)

(**) Term: **14 Years**

(21) Appl. No.: **29/487,163**

(22) Filed: **Apr. 6, 2014**

(51) **LOC (10) Cl.** **14-02**

(52) **U.S. Cl.**
USPC **D14/440**

(58) **Field of Classification Search**
USPC D14/250, 440, 447; 206/45.23, 320,
206/45.2; 361/679.55; 294/25; 224/218
CPC ... G06F 1/1628; G06F 1/1613; A47B 23/044;
H04B 1/3888
See application file for complete search history.

(56) **References Cited**

U.S. PATENT DOCUMENTS

D118,197 S	*	12/1939	Trussell	D19/26
D323,348 S	*	1/1992	Tooker	D19/26
D449,166 S	*	10/2001	Shapiro	D3/303
D600,699 S	*	9/2009	Johnston	D14/440
D649,185 S	*	11/2011	Bakrania	D19/26
D678,884 S	*	3/2013	Phillips	D14/440
D684,978 S	*	6/2013	Phillips	D14/440
D685,376 S	*	7/2013	Kim	D14/439
D688,250 S	*	8/2013	Phillips	D14/440

(Continued)

Primary Examiner — Cynthia Underwood
(74) *Attorney, Agent, or Firm* — Christopher J. Scott

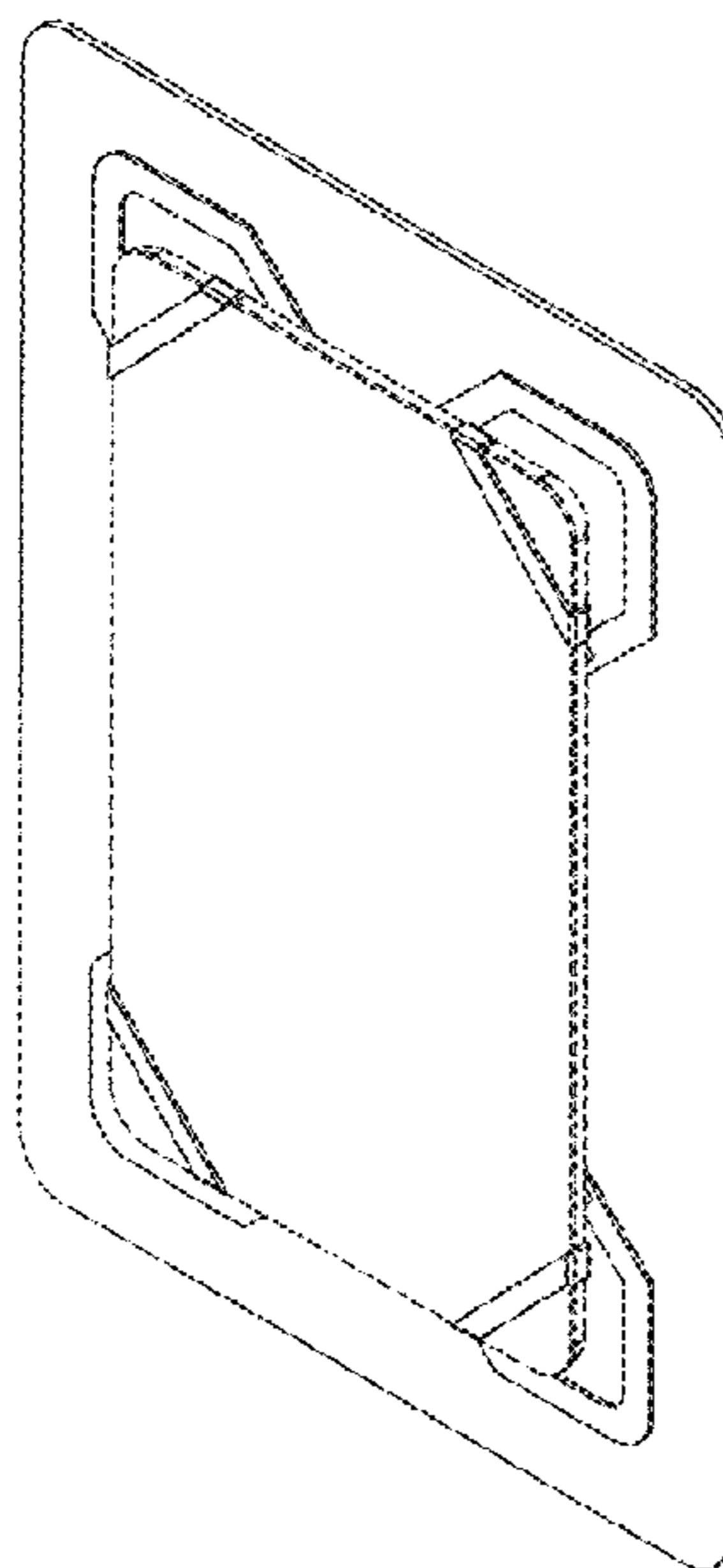
(57) **CLAIM**

The ornamental design for the universal device-holding mechanism for a mobile communications device, as shown and described.

DESCRIPTION

FIG. 1 is an anterior plan view of the universal device-holding mechanism for a mobile communications device. FIG. 2 is a posterior plan view of the universal device-holding mechanism for a mobile communications device. FIG. 3 is a top edge view of the universal device-holding mechanism for a mobile communications device. FIG. 4 is a bottom edge view of the universal device-holding mechanism for a mobile communications device. FIG. 5 is a first lateral edge view of the universal device-holding mechanism for a mobile communications device. FIG. 6 is a second lateral edge view of the universal device-holding mechanism for a mobile communications device. FIG. 7 is an anterior perspective view of the universal device-holding mechanism for a mobile communications device. FIG. 8 is a posterior perspective view of the universal device-holding mechanism for a mobile communications device; and, FIG. 9 is an anterior perspective view of the universal device-holding mechanism for a mobile communications device shown in a condition of use. The broken lines in FIGS. 1 and 7 form no part of the claimed design. The broken lines in FIG. 9 are included for the purpose of depicting a generic mobile communications device held by the universal device-holding mechanism and form no part of the claimed design.

1 Claim, 6 Drawing Sheets



(56)

References Cited

U.S. PATENT DOCUMENTS

D723,570 S *	3/2015	Sirichai	D14/440
D724,595 S *	3/2015	Sirichai	D14/440
D724,596 S *	3/2015	Sirichai	D14/440
2012/0091312 A1 *	4/2012	Baker	F16M 13/00 248/682

* cited by examiner

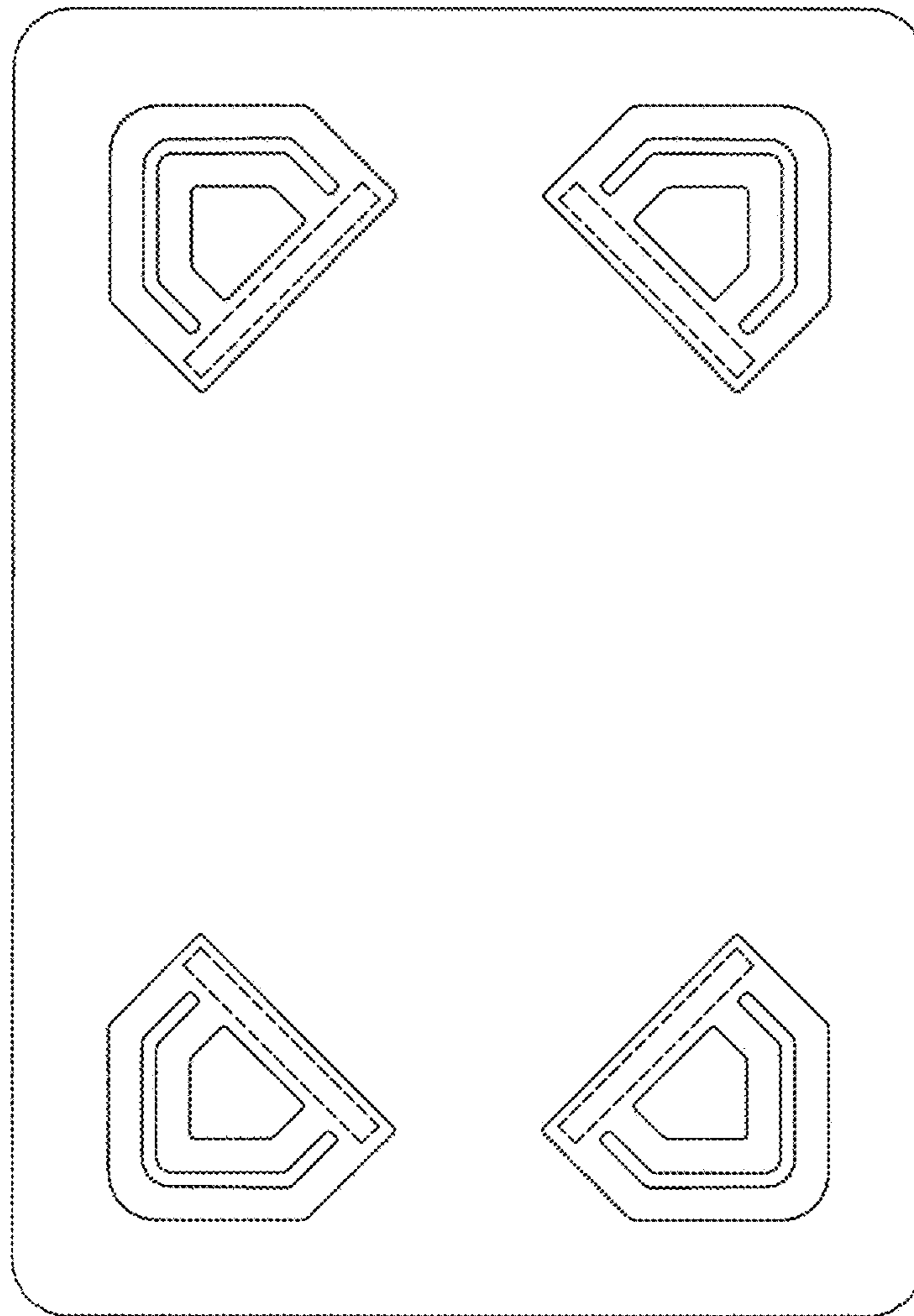


FIG. 1

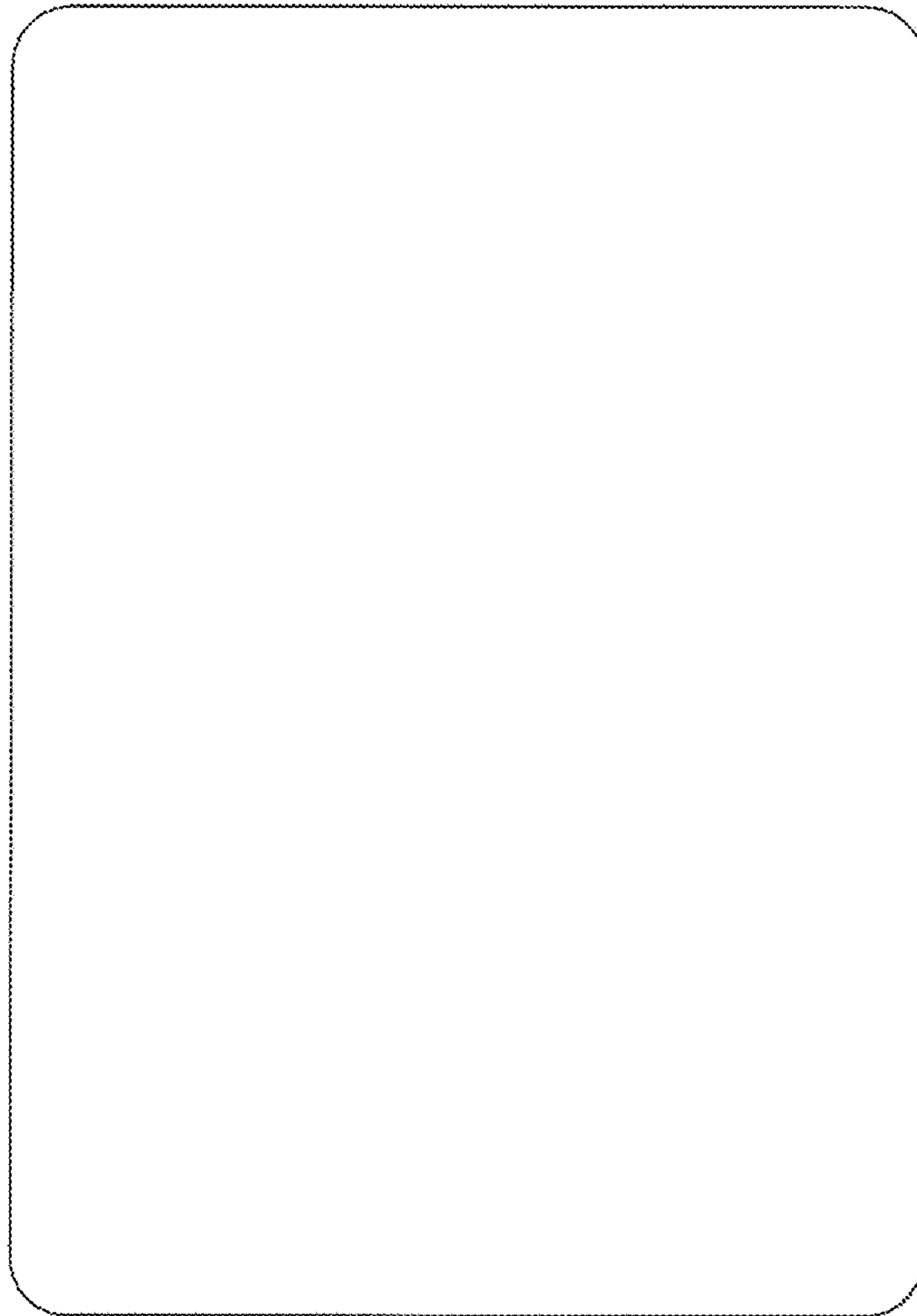


FIG.2

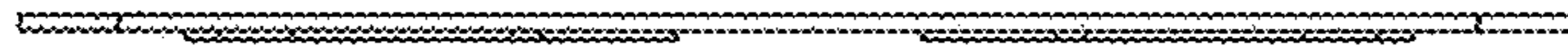


FIG.3

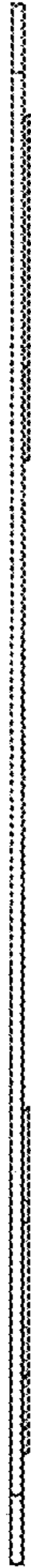


FIG.5



FIG.6



FIG.4

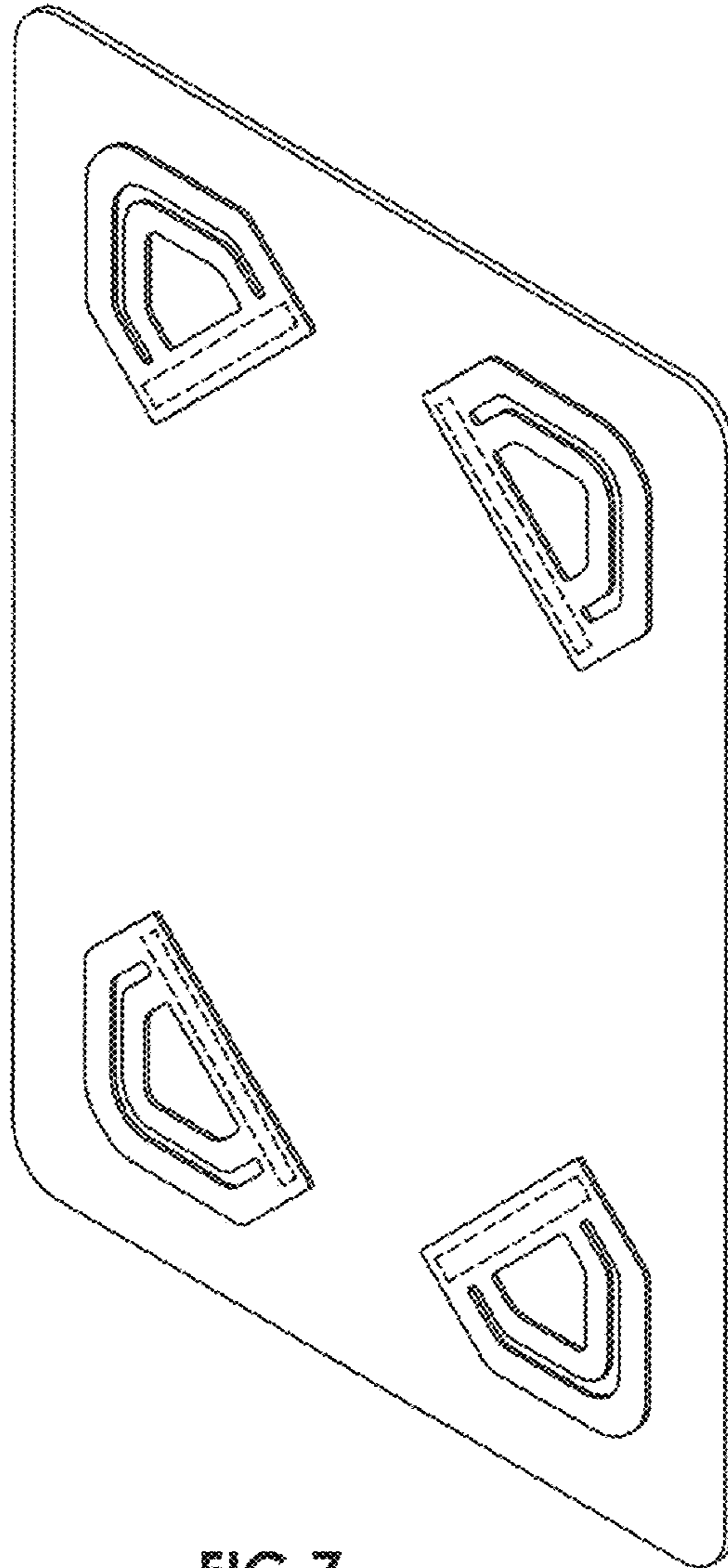


FIG. 7

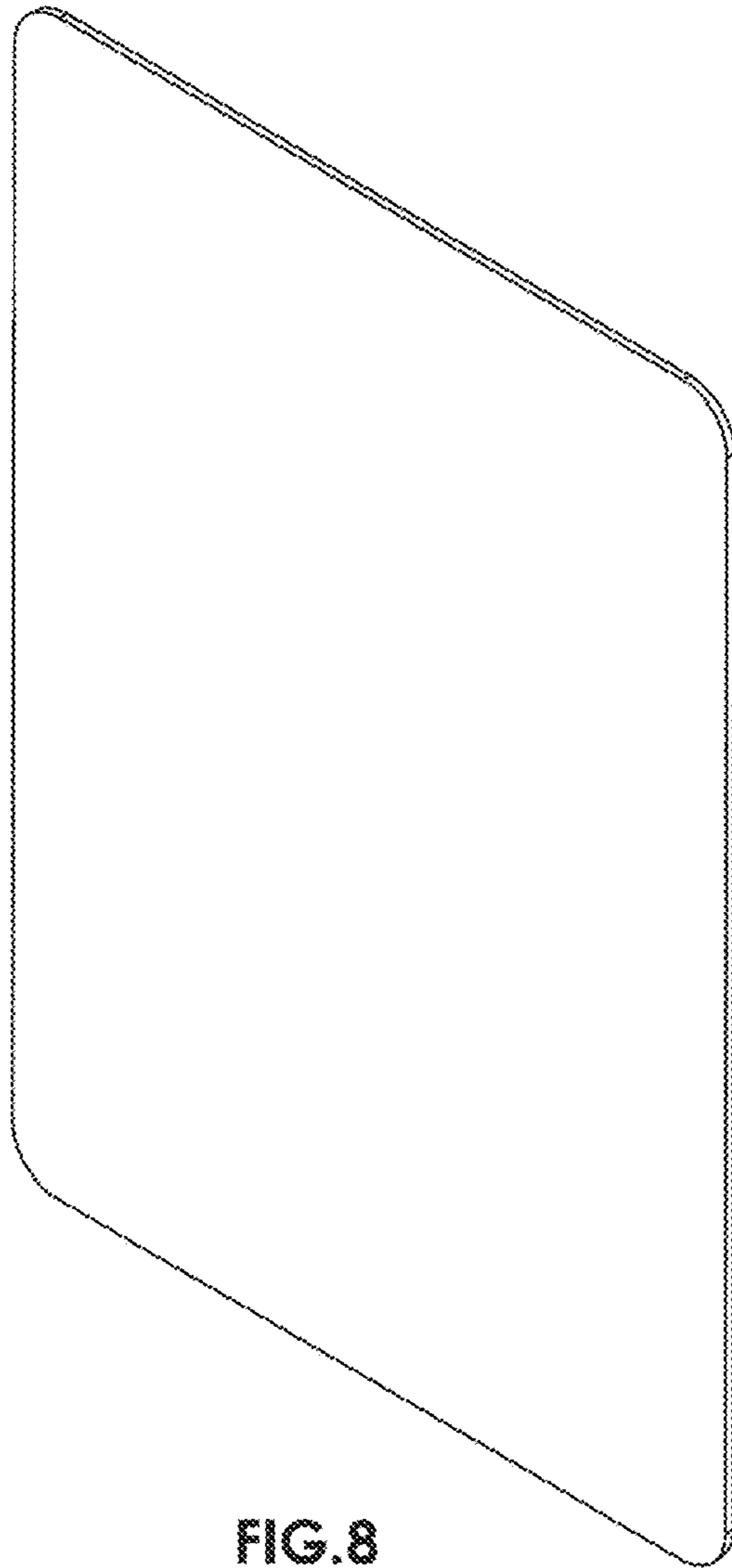


FIG. 8

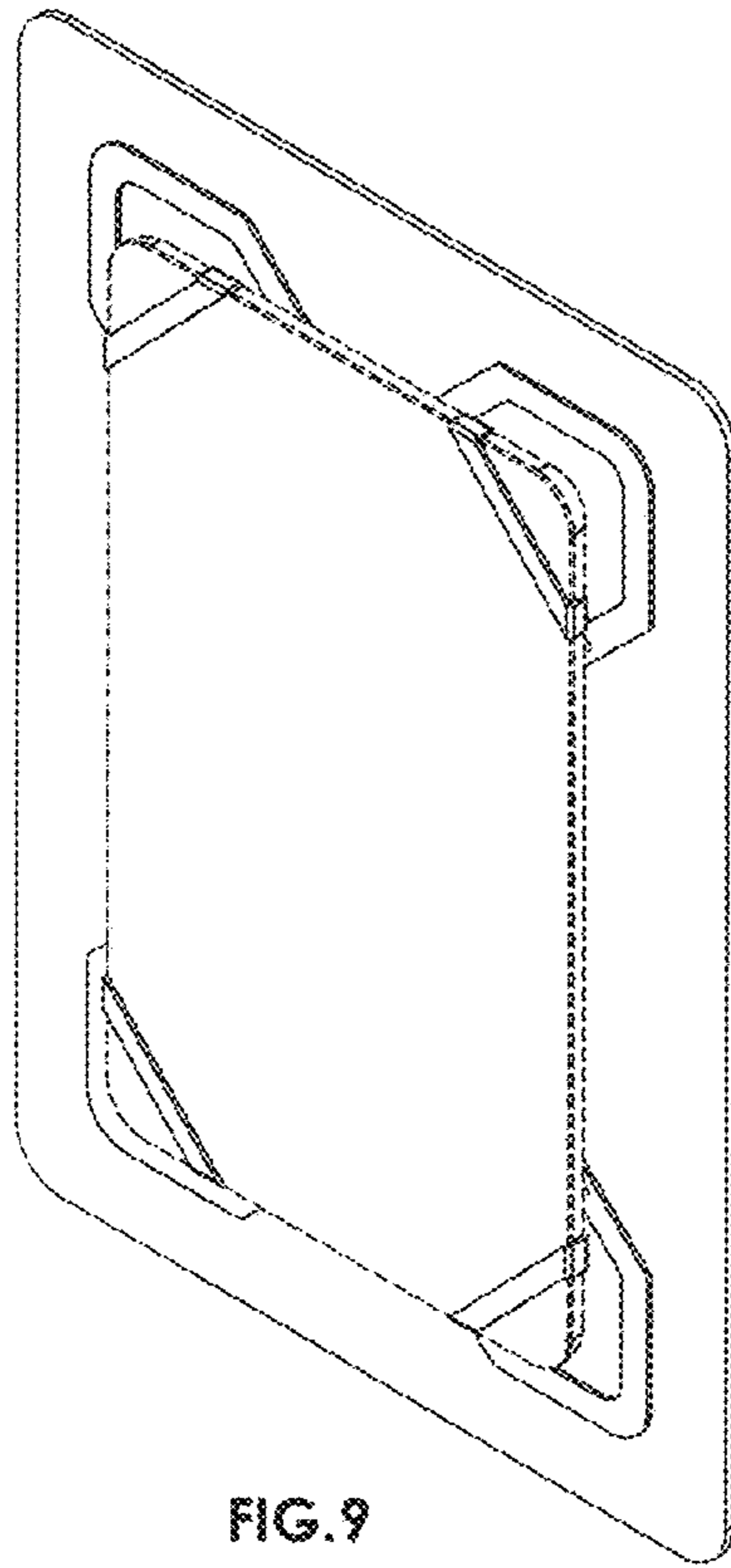


FIG. 9