



US00D784346S

(12) **United States Design Patent** (10) **Patent No.:** **US D784,346 S**
Tao (45) **Date of Patent:** **** Apr. 18, 2017**

(54) **SMART WATCH**

(56) **References Cited**

(71) Applicant: **LENOVO (BEIJING) CO., LTD.,**
Beijing (CN)

U.S. PATENT DOCUMENTS

(72) Inventor: **Ying Tao,** Beijing (CN)

1,752,128 A	3/1930	Vetter
2,137,835 A	11/1938	Dixon
D243,318 S	2/1977	Kurihara
4,060,185 A	11/1977	Kuroda
4,473,304 A	9/1984	Ketner
D513,997 S	1/2006	Wilson
D519,396 S	4/2006	Migliorati
D566,580 S	4/2008	Giorgio
D584,169 S	1/2009	Rabatic
D603,276 S	11/2009	Herzog
D698,689 S	2/2014	Boyd
D709,873 S	7/2014	Aumiller et al.
D718,170 S	11/2014	Aumiller et al.

(73) Assignee: **Lenovo (Beijing) Co., Ltd.,** Beijing (CN)

(**) Term: **15 Years**

(21) Appl. No.: **29/572,322**

(22) Filed: **Jul. 27, 2016**

(Continued)

Related U.S. Application Data

(62) Division of application No. 29/519,921, filed on Mar. 9, 2015, now Pat. No. Des. 765,655.

Primary Examiner — Antoine D Davis

(74) *Attorney, Agent, or Firm* — Oppedahl Patent Law Firm LLC

(30) **Foreign Application Priority Data**

Sep. 9, 2014 (CN) 2014 3 0331787

(51) **LOC (10) Cl.** **14-02**

(52) **U.S. Cl.**
USPC **D14/439;** D10/30; D10/103; D10/128;
D10/132; D14/440; D14/460

(58) **Field of Classification Search**
USPC D10/30-39, 65, 70, 78, 97, 98, 103, 128,
D10/132; D11/3; D14/138 R, 203.5,
D14/203.6, 341, 344, 347, 439, 440, 460;
D24/167, 168
CPC A44C 5/00-5/16; G04B 37/00-37/228;
G04B 45/0069; G04B 47/04; G04B
19/00-19/34; G04B 21/12; G04B 23/12;
G04B 47/00-47/068; G01C 17/00; G01C
21/00-21/3697

See application file for complete search history.

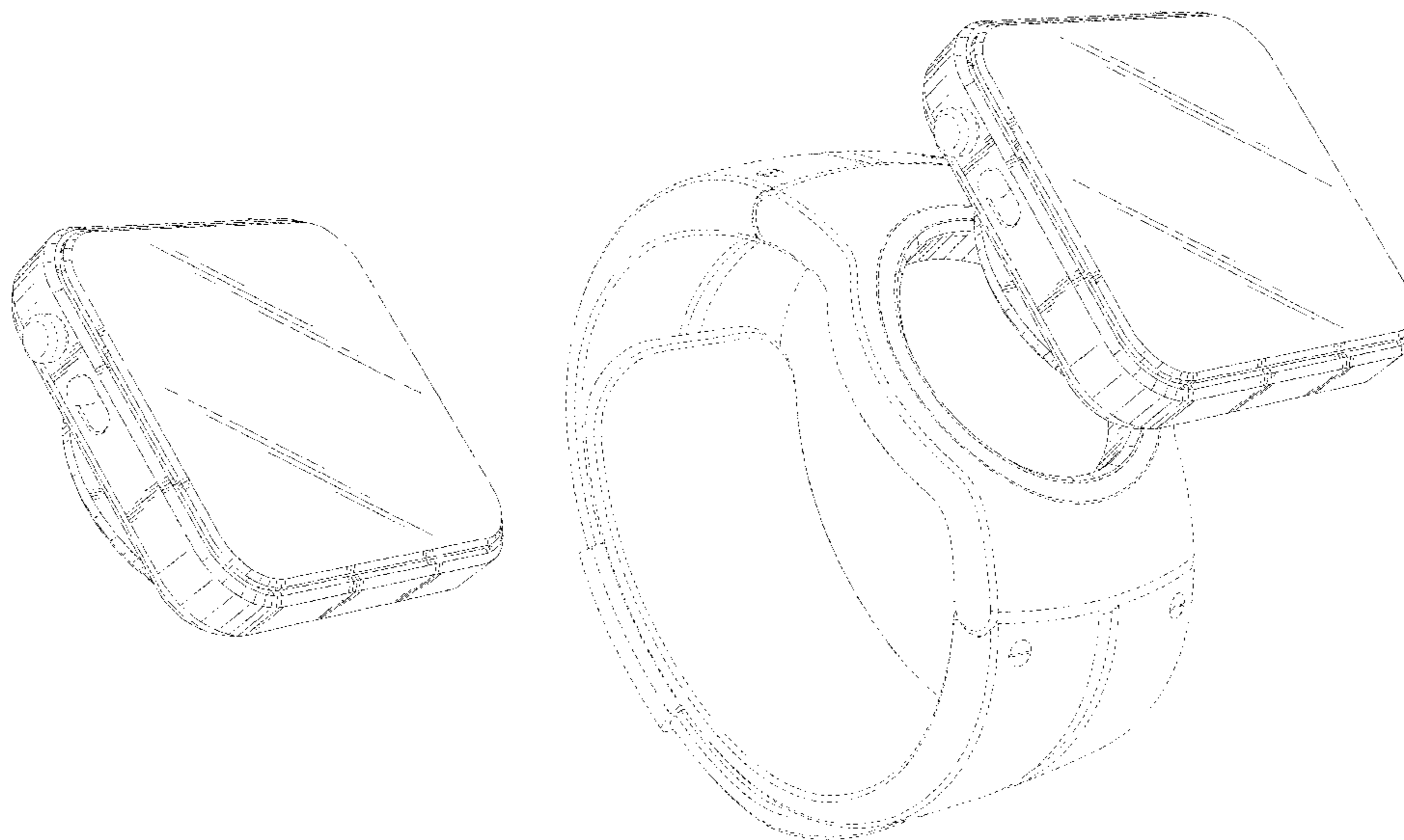
(57) **CLAIM**

The ornamental design for a smart watch, as shown and described.

DESCRIPTION

FIG. 1 is a front view of a smart watch showing a first embodiment of our new design.
FIG. 2 is a rear view thereof.
FIG. 3 is a perspective view thereof.
FIG. 4 is a perspective view of a smart watch showing a second embodiment of our new design.
FIG. 5 is a second perspective view.
FIG. 6 is a third perspective view; and,
FIG. 7 is a fourth perspective view.
The features shown in broken lines in the drawing depict environmental subject matter and unclaimed borders and form no part of the claimed design.

1 Claim, 7 Drawing Sheets



(56)

References Cited

U.S. PATENT DOCUMENTS

D726,676 S 4/2015 Park et al.
 D729,674 S 5/2015 Behar
 D729,675 S 5/2015 Behar
 D729,681 S 5/2015 Lee
 D737,156 S 8/2015 Akana et al.
 D737,157 S 8/2015 Akana et al.
 D737,158 S 8/2015 Akana et al.
 D737,159 S 8/2015 Akana et al.
 D737,166 S 8/2015 Aumiller et al.
 D741,726 S 10/2015 Akana et al.
 D744,356 S 12/2015 Akana et al.
 D745,421 S 12/2015 Akana et al.
 D746,707 S 1/2016 Akana et al.
 D747,658 S 1/2016 Cerrato
 D749,570 S * 2/2016 Lee D14/344
 D751,550 S * 3/2016 Solomon D10/38
 D752,044 S * 3/2016 Akana D14/344
 D753,510 S * 4/2016 Puttorngul D10/30
 D755,786 S * 5/2016 Lapetina D14/344
 D756,357 S * 5/2016 Akana D10/30
 D756,824 S * 5/2016 Akana D10/103

D757,574 S * 5/2016 Song D10/32
 D757,575 S * 5/2016 Song D10/32
 D759,011 S * 6/2016 Akana D14/344
 D760,716 S * 7/2016 Akana D14/344
 D762,208 S * 7/2016 Akana D14/341
 D763,107 S * 8/2016 Nielsen D10/30
 D766,115 S * 9/2016 Ma D10/38
 D766,892 S * 9/2016 Bajwa D14/341
 D766,893 S * 9/2016 Akana D10/31
 D766,904 S * 9/2016 Jung D14/440
 D766,905 S * 9/2016 Lee D14/440
 D766,906 S * 9/2016 Kim D14/440
 D767,573 S * 9/2016 Kim D14/440
 D769,234 S * 10/2016 Rami D14/253
 D769,867 S * 10/2016 Aumiller D14/344
 D769,879 S * 10/2016 Kim D14/440
 D771,624 S * 11/2016 Aumiller D14/344
 D771,824 S * 11/2016 Minoli D10/65
 D772,227 S * 11/2016 Shan D14/344
 D772,866 S * 11/2016 Park D10/70
 2009/0175135 A1 7/2009 Moore
 2012/0087216 A1 4/2012 Keung
 2012/0234044 A1 9/2012 Matysik

* cited by examiner

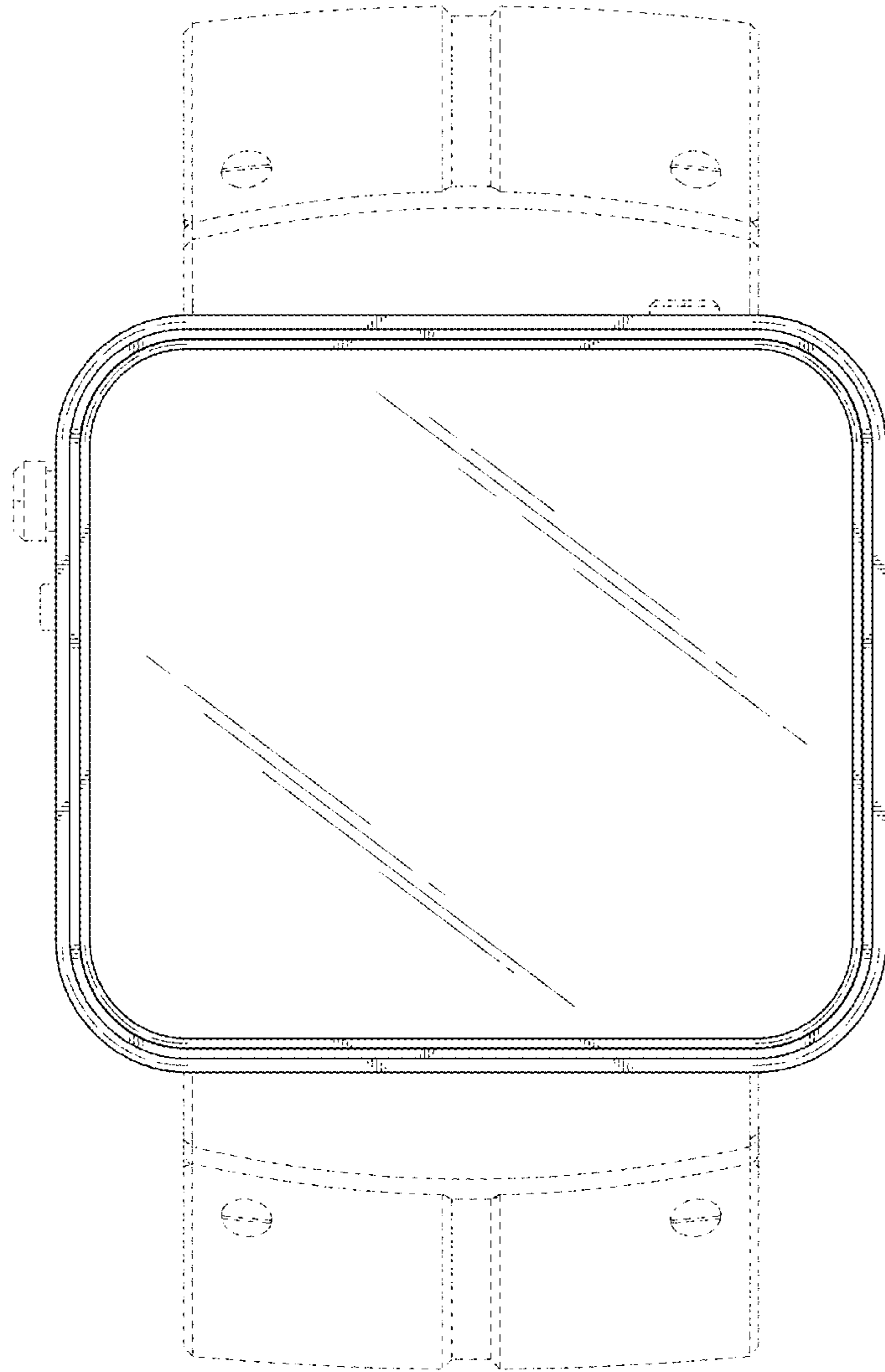


Fig. 1

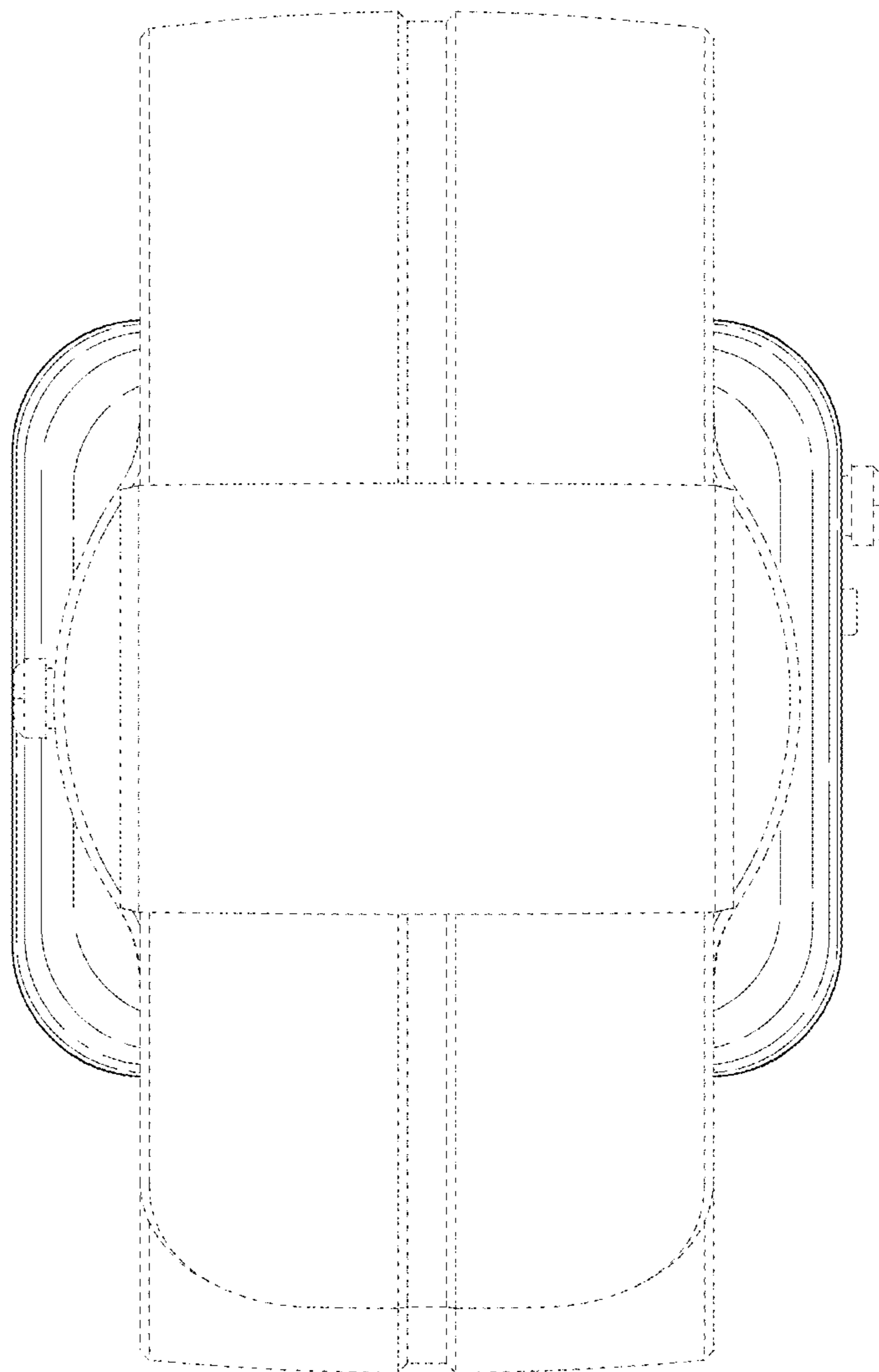


Fig. 2

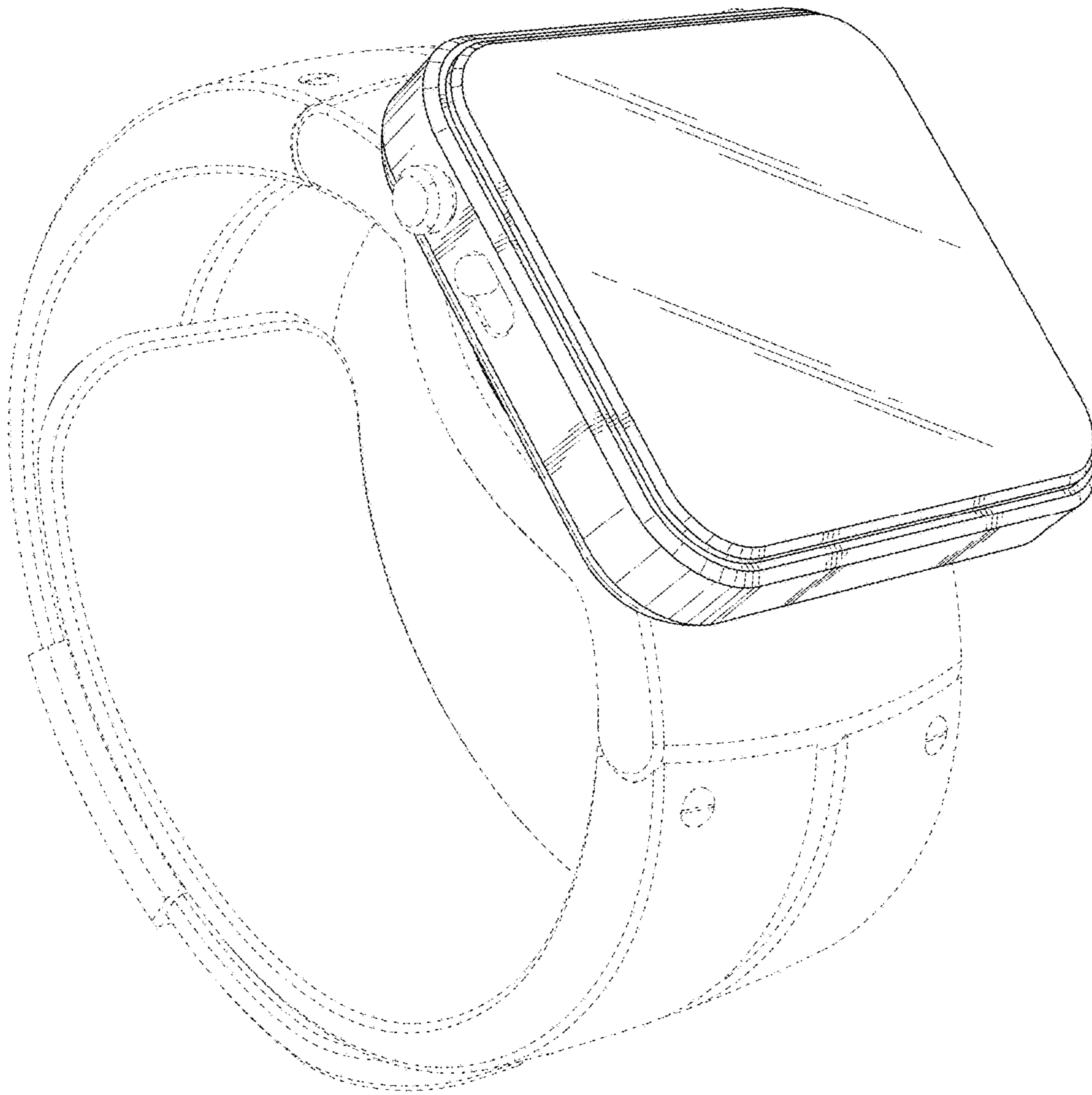


Fig. 3

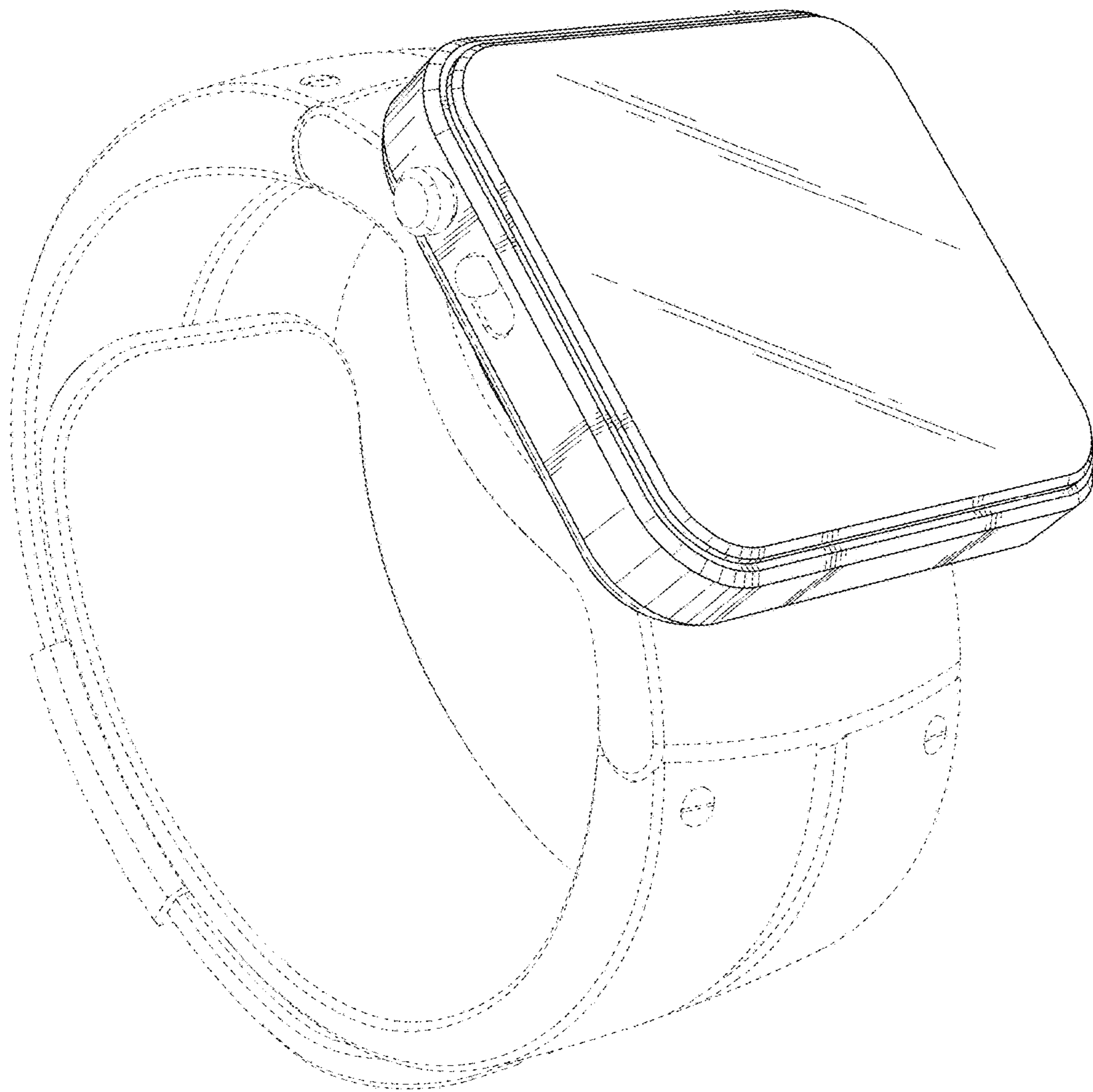


Fig. 4

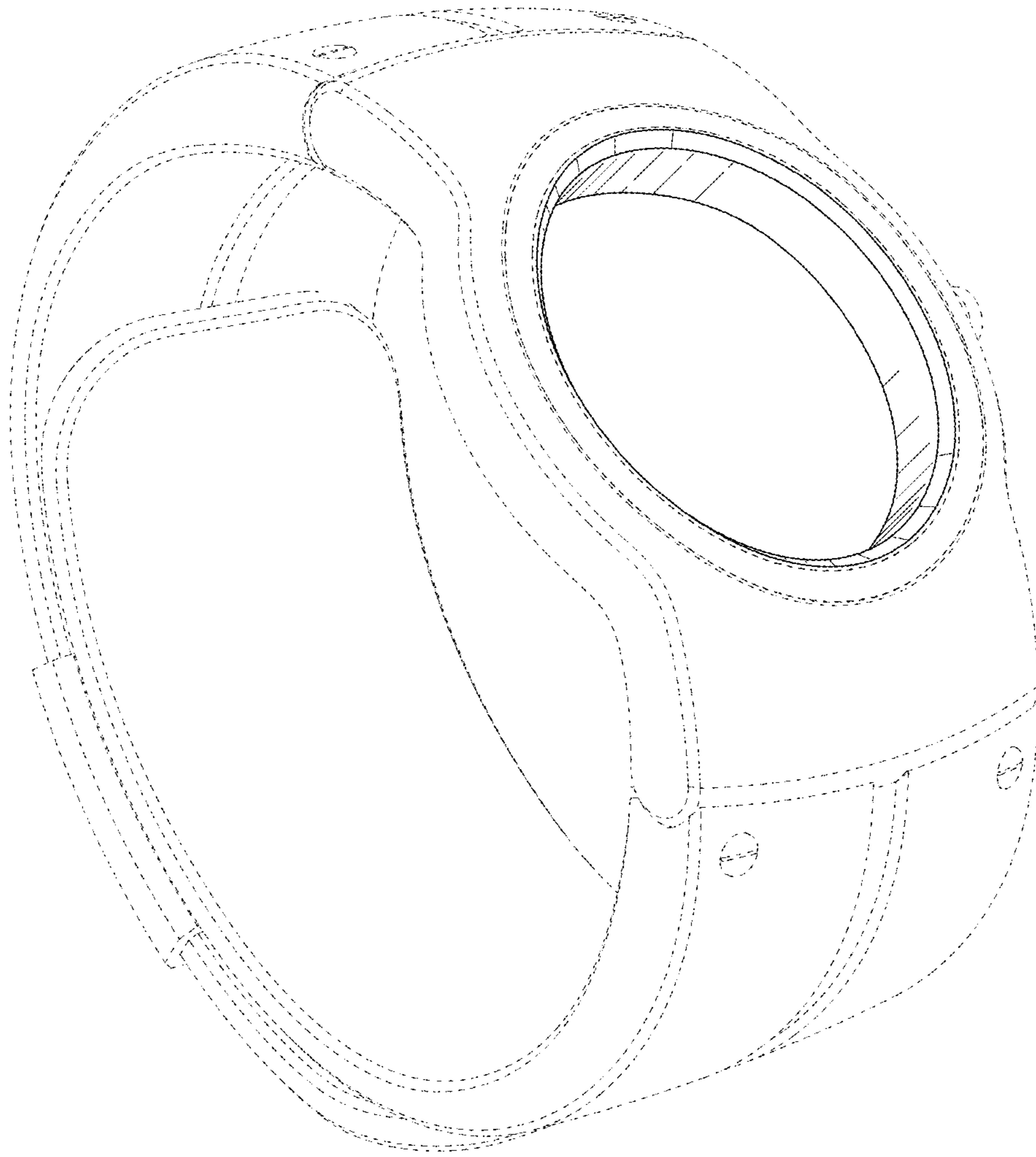


Fig. 5

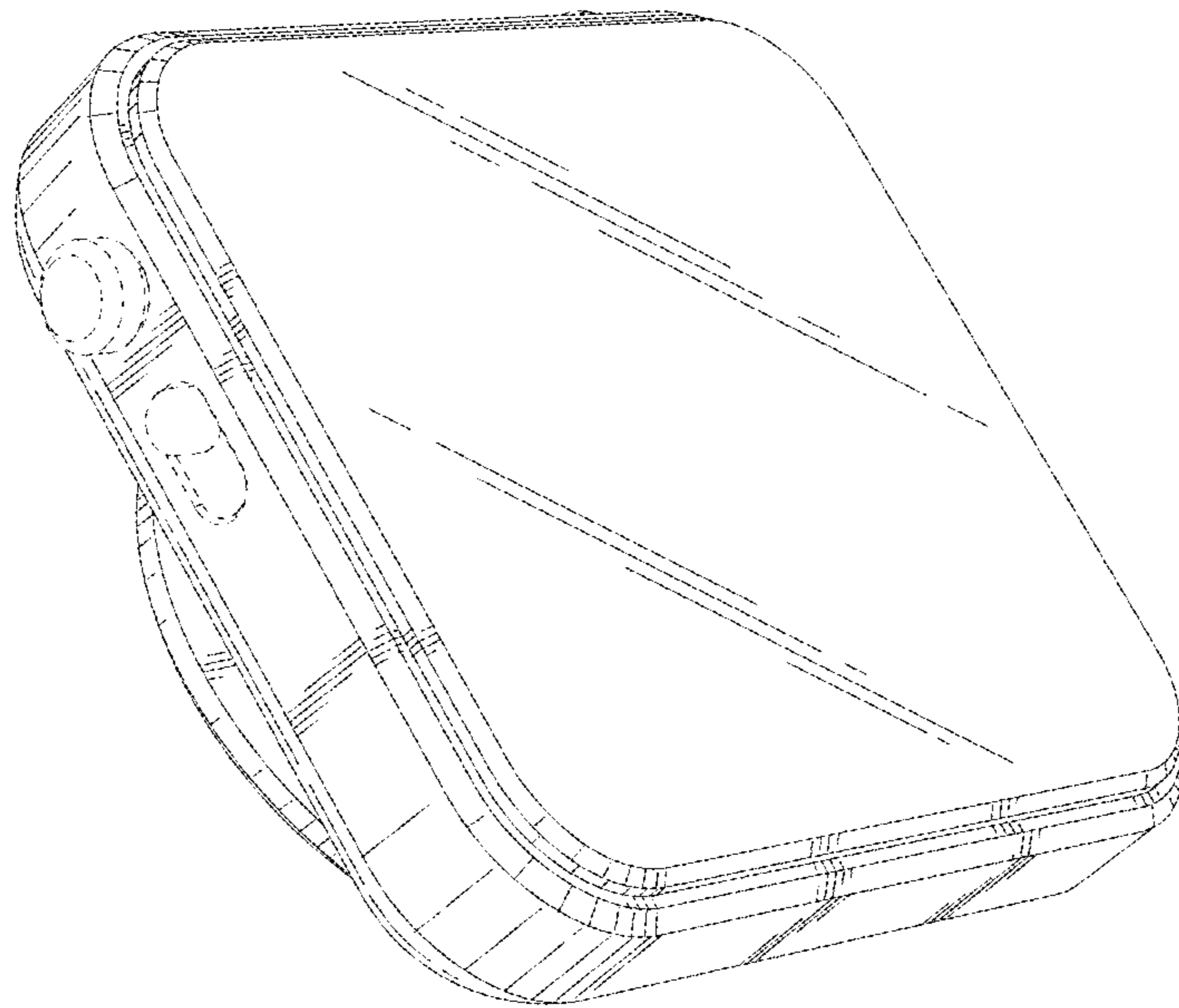


Fig. 6

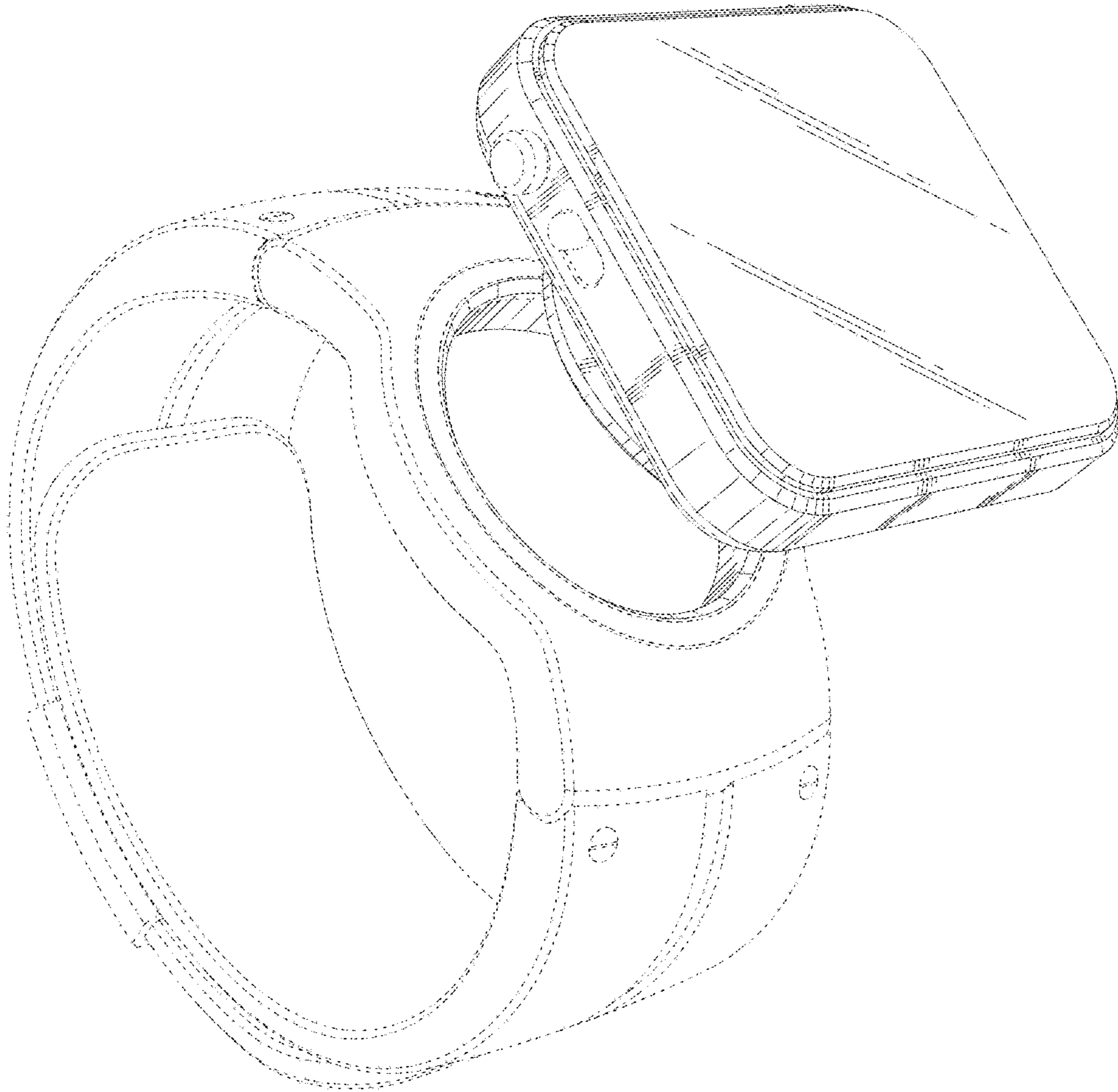


Fig. 7