



US00D784340S

(12) **United States Design Patent**  
**Laffon de Mazieres et al.**

(10) **Patent No.:** **US D784,340 S**  
(45) **Date of Patent:** **\*\* Apr. 18, 2017**

(54) **ELECTRONIC DEVICE ADAPTER**

(74) *Attorney, Agent, or Firm* — Lee & Hayes, PLLC

(71) Applicant: **Amazon Technologies, Inc.**, Seattle, WA (US)

(57) **CLAIM**

The ornamental design for an electronic device adapter, as shown and described.

(72) Inventors: **Emmanuel J M Laffon de Mazieres**, Burlingame, CA (US); **Marc Rene Walliser**, San Francisco, CA (US); **Heinz-Dominik Langhammer**, San Francisco, CA (US); **Christopher Green**, San Francisco, CA (US)

**DESCRIPTION**

(73) Assignee: **Amazon Technologies, Inc.**, Seattle, WA (US)

FIG. 1 is a first perspective view of a first embodiment of an electronic device adapter, taken from above; FIG. 2 is a second perspective view of the first embodiment of the electronic device adapter of FIG. 1, taken from below; FIG. 3 is a front view of the first embodiment of the electronic device adapter of FIG. 1; FIG. 4 is a back view of the first embodiment of the electronic device adapter of FIG. 1; FIG. 5 is a right-side view of the first embodiment of the electronic device adapter of FIG. 1; FIG. 6 is a left-side view of the first embodiment of the electronic device adapter of FIG. 1; FIG. 7 is a top view of the first embodiment of the electronic device adapter of FIG. 1; FIG. 8 is a bottom view of the first embodiment of the electronic device adapter of FIG. 1; FIG. 9 is a first perspective view of a second embodiment of an electronic device adapter, taken from above; FIG. 10 is a second perspective view of the second embodiment of the electronic device adapter of FIG. 9, taken from below; FIG. 11 is a front view of the second embodiment of the electronic device adapter of FIG. 9; FIG. 12 is a back view of the second embodiment of the electronic device adapter of FIG. 9; FIG. 13 is a right-side view of the second embodiment of the electronic device adapter of FIG. 9; FIG. 14 is a left-side view of the second embodiment of the electronic device adapter of FIG. 9; FIG. 15 is a top view of the second embodiment of the electronic device adapter of FIG. 9; and, FIG. 16 is a bottom view of the second embodiment of the electronic device adapter of FIG. 9.

(\*\*) Term: **15 Years**

(21) Appl. No.: **29/537,662**

(22) Filed: **Aug. 27, 2015**

(51) **LOC (10) Cl.** ..... **14-02**

(52) **U.S. Cl.**  
USPC ..... **D14/433**

(58) **Field of Classification Search**  
USPC .... D14/356, 432-434, 453, 454, 511, 203.8, D14/209.1, 238.1, 240, 125; 439/638,  
(Continued)

(56) **References Cited**

**U.S. PATENT DOCUMENTS**

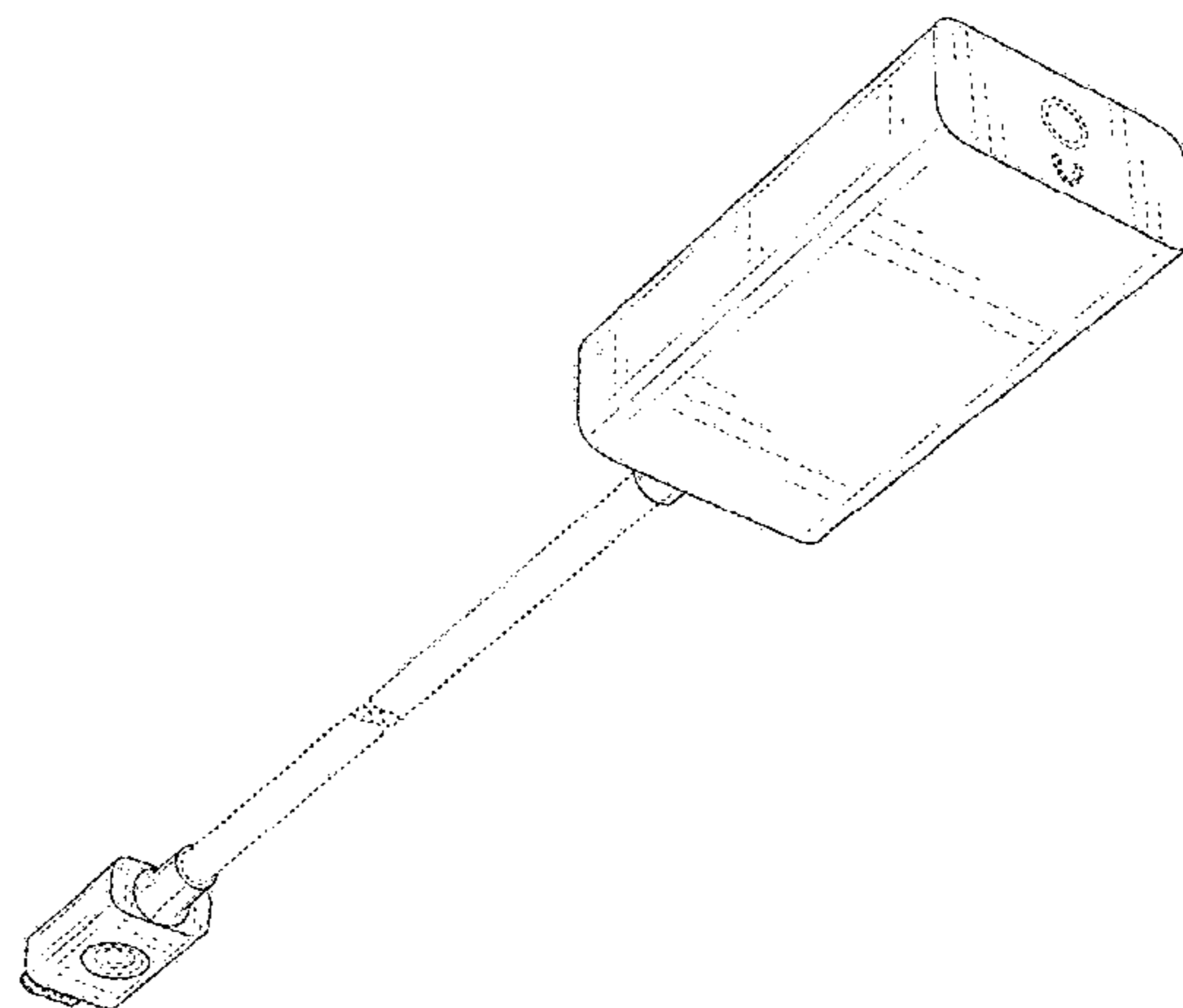
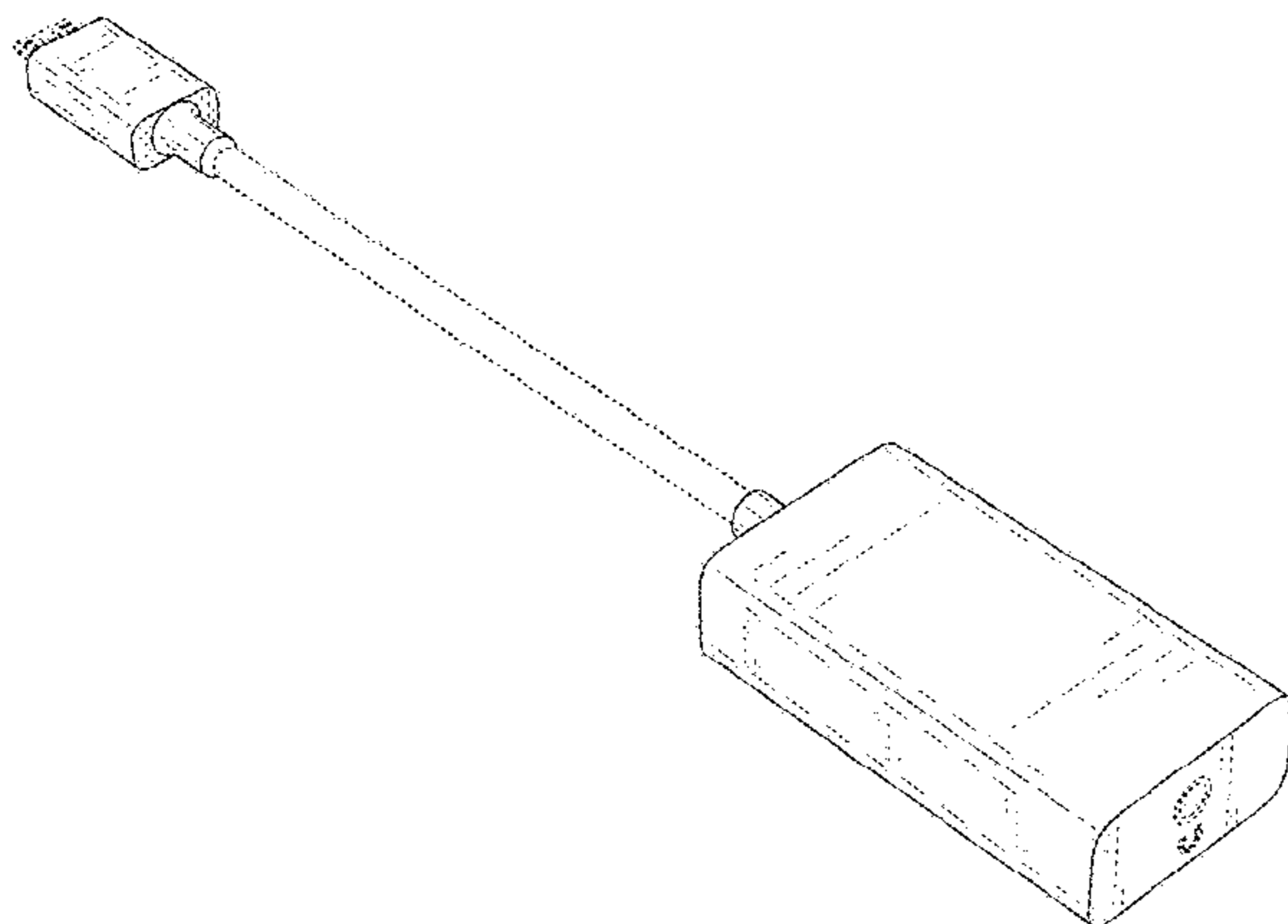
D600,652 S \* 9/2009 Hong ..... D13/154  
D636,337 S \* 4/2011 Smith ..... D13/147  
(Continued)

**OTHER PUBLICATIONS**

Translated Japanese Office Action mailed Jul. 1, 2016 for Japanese Design Application 2016-002741, a counterpart foreign application of Design U.S. Appl. No. 29/537,662, 5 pages.  
(Continued)

*Primary Examiner* — Austin Murphy

(Continued)



The broken lines in the drawings are for illustrative purposes only and form no part of the claimed design.

**1 Claim, 10 Drawing Sheets**

**(58) Field of Classification Search**

USPC ..... 439/928, 105, 502; 710/303, 304;  
361/679.41, 679.55, 679.56; D13/110,  
D13/133, 146  
CPC ..... H01R 24/64; H01R 24/62; H01R 12/714;  
H01R 13/506; H01R 13/6658  
See application file for complete search history.

**(56) References Cited**

**U.S. PATENT DOCUMENTS**

D694,243 S \* 11/2013 Akana ..... D14/433  
D706,752 S \* 6/2014 Myung ..... D14/240  
D707,180 S \* 6/2014 Yi ..... D13/147  
D730,903 S \* 6/2015 Langhammer ..... D14/433  
D731,489 S \* 6/2015 Langhammer ..... D14/433

D732,035 S \* 6/2015 Akana ..... D14/433  
D733,142 S \* 6/2015 Solomon ..... D14/433  
D743,965 S \* 11/2015 Laffon de Mazieres .... D13/154  
D746,291 S \* 12/2015 Solomon ..... D14/433  
D751,560 S \* 3/2016 Akana ..... D14/433  
D755,790 S \* 5/2016 Salvatori ..... D14/433  
D756,817 S \* 5/2016 Fries ..... D10/78  
D760,720 S \* 7/2016 Laffon de Mazieres .... D14/433  
D761,262 S \* 7/2016 Solomon ..... D14/433  
D763,197 S \* 8/2016 Beck ..... D13/153

**OTHER PUBLICATIONS**

The Korean Office Action mailed Jun. 16, 2016 for Korean Design Application 30-2016-0006535, a counterpart foreign application of Design U.S. Appl. No. 29/537,662, 3 pages.  
The Canadian Office Action mailed May 27, 2016 for Canadian Design Application 166792, a counterpart foreign application of Design U.S. Appl. No. 29/537,662, 1 page.  
The Indiana First Examination Report mailed Jun. 15, 2016 for Indian design application No. 280335, a counterpart foreign application of design U.S. Appl. No. 29/537,662, 10 pages.

\* cited by examiner

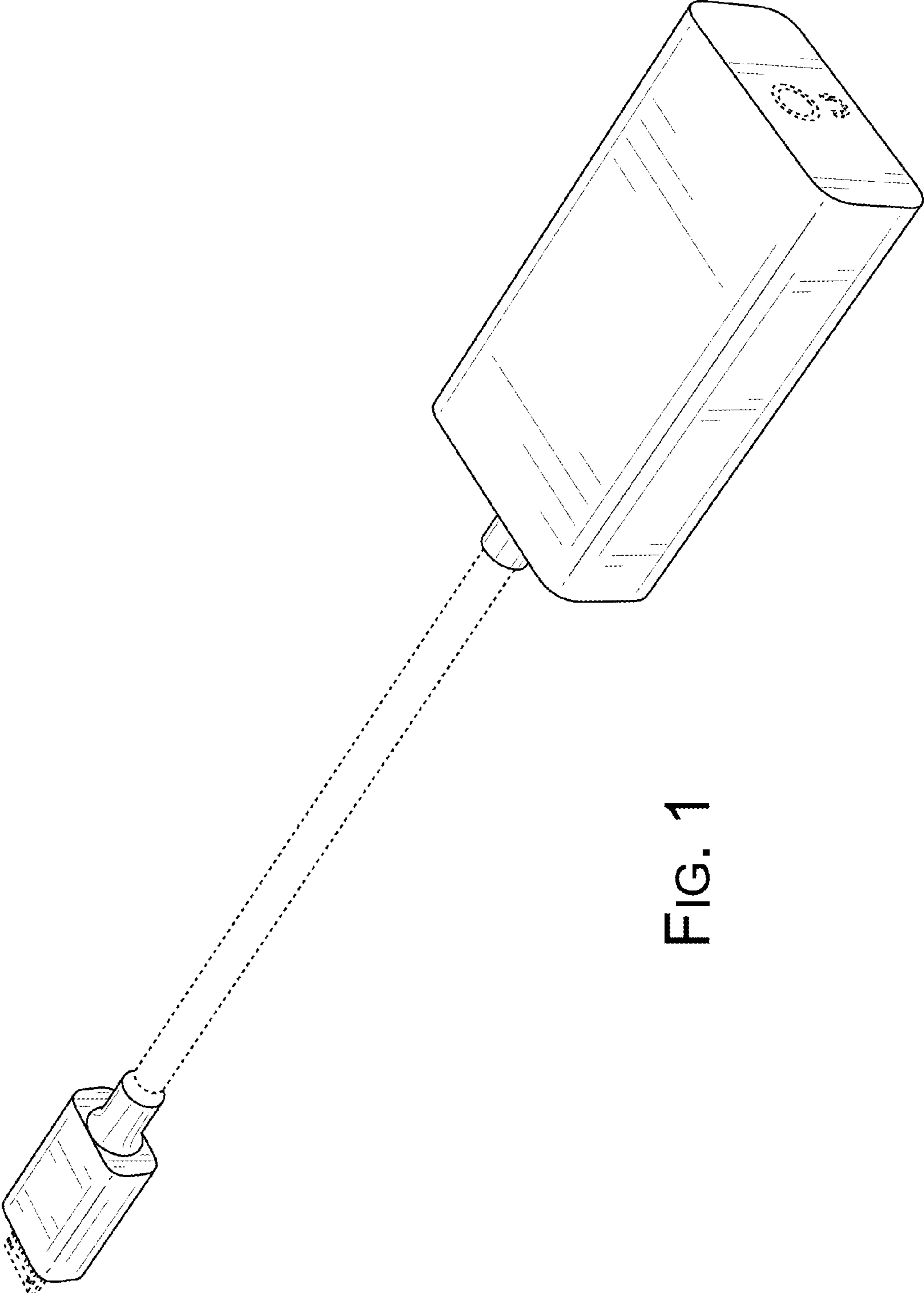


FIG. 1

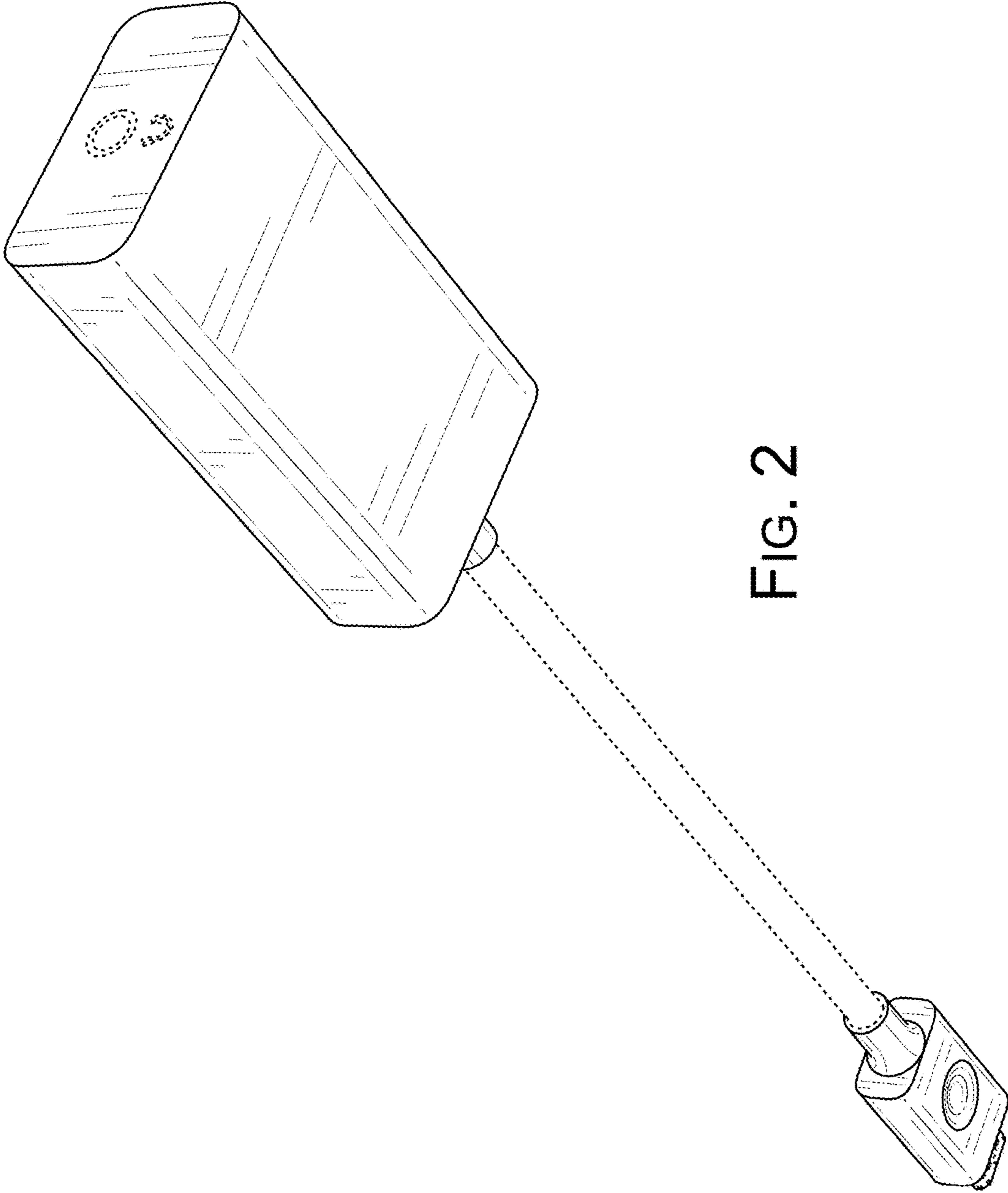


FIG. 2

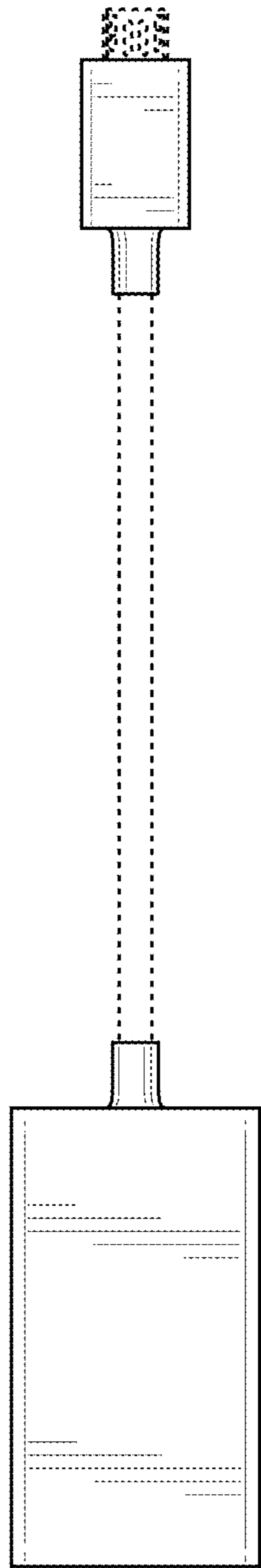


FIG. 3

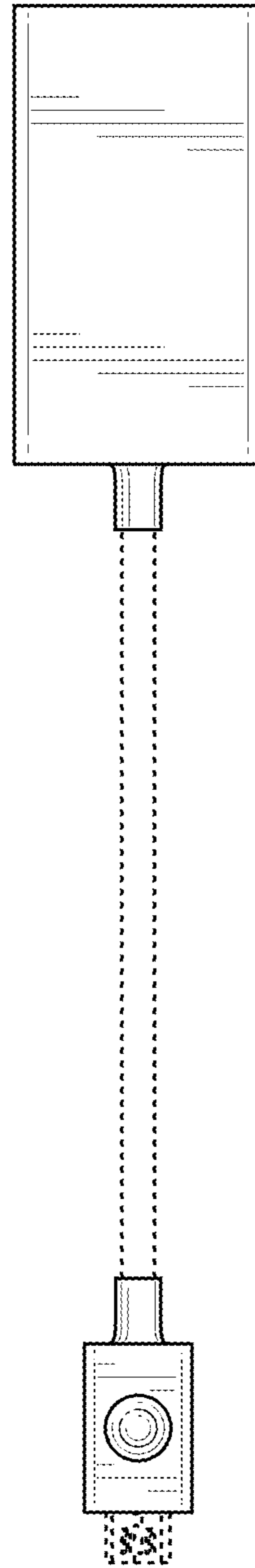


FIG. 4

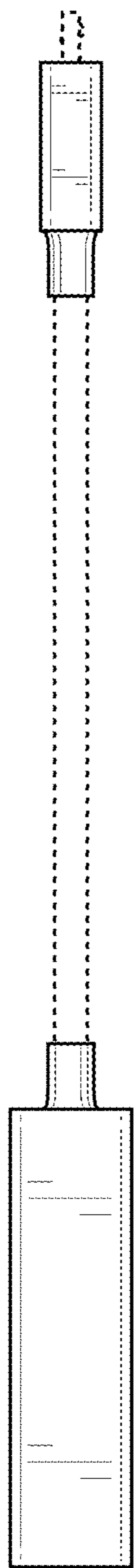


FIG. 5

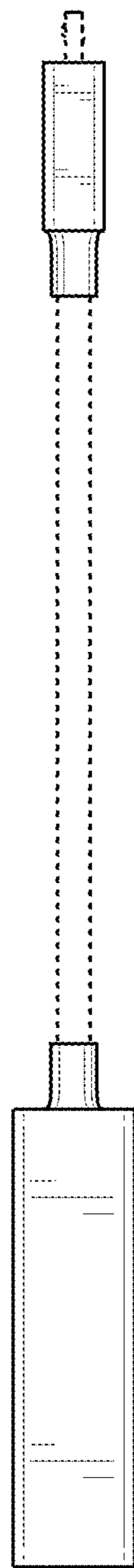


FIG. 6

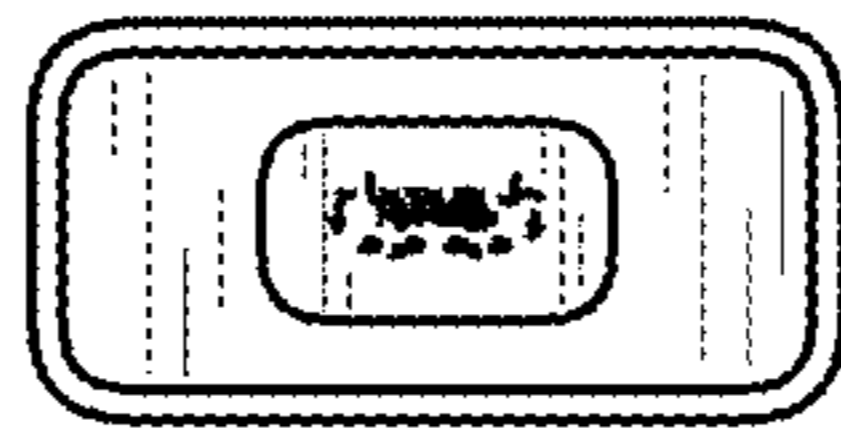


FIG. 7

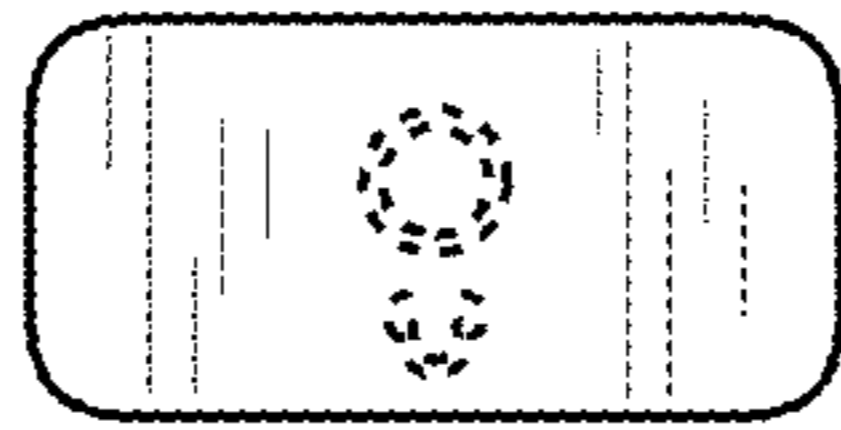


FIG. 8

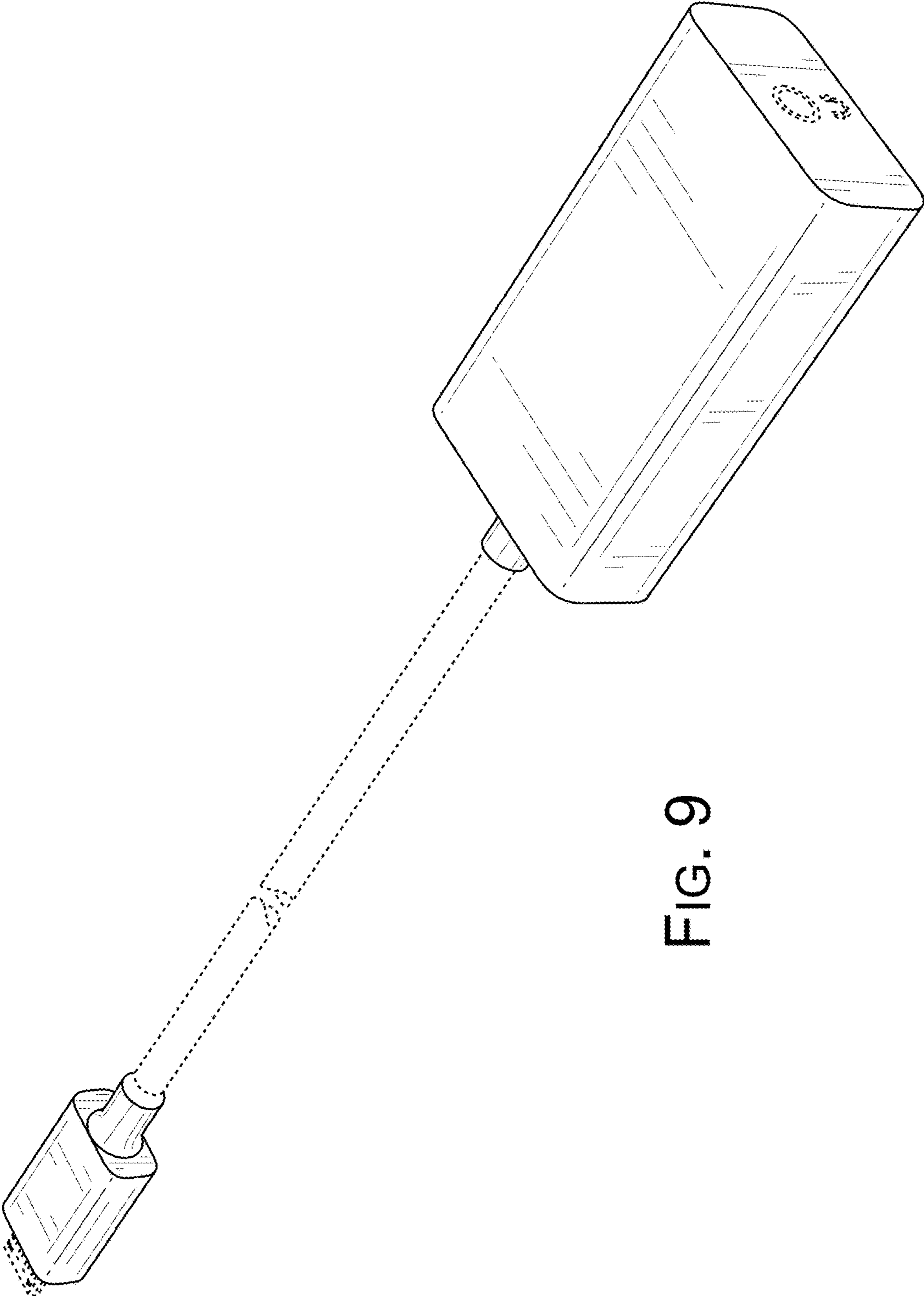


FIG. 9



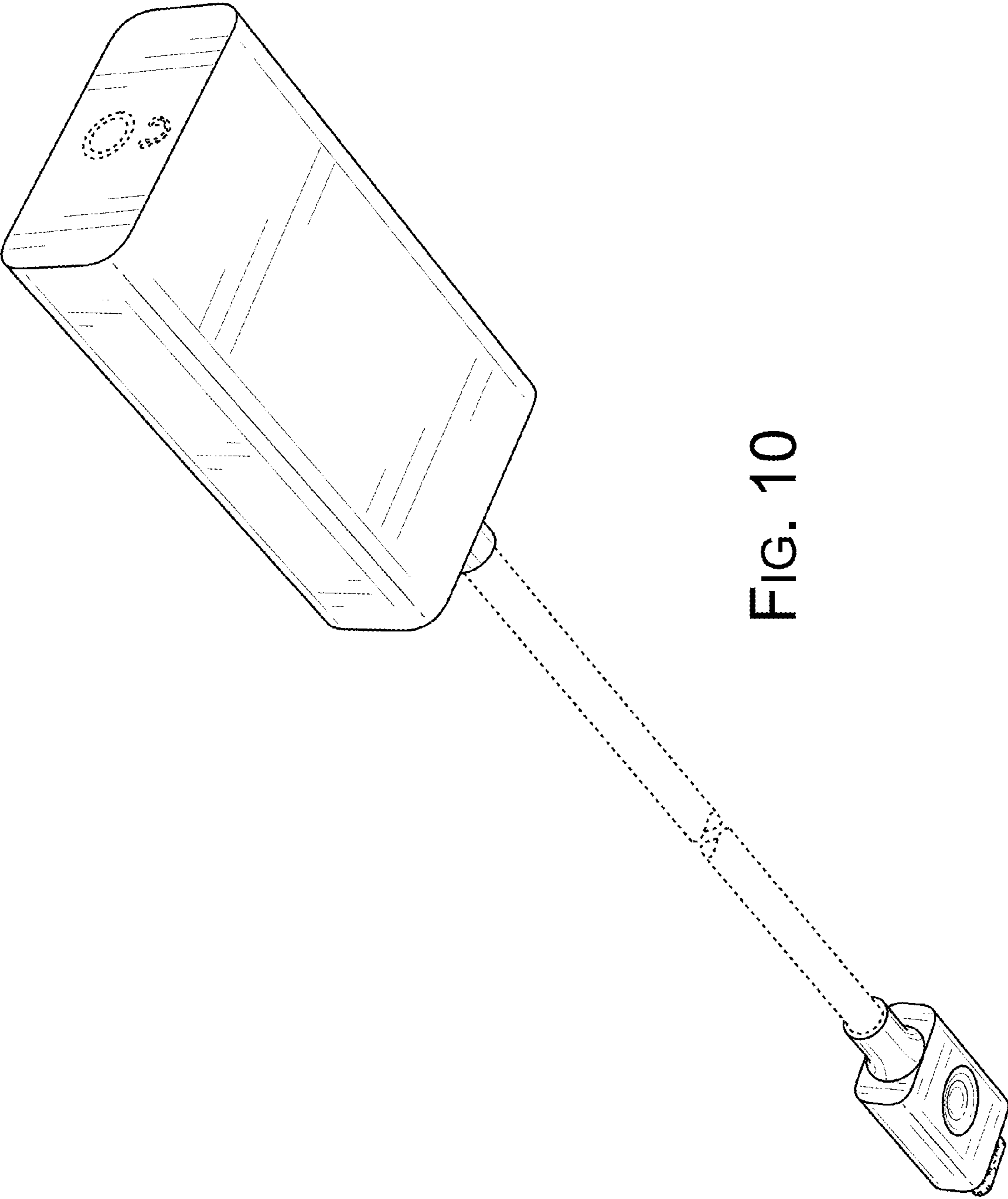


FIG. 10

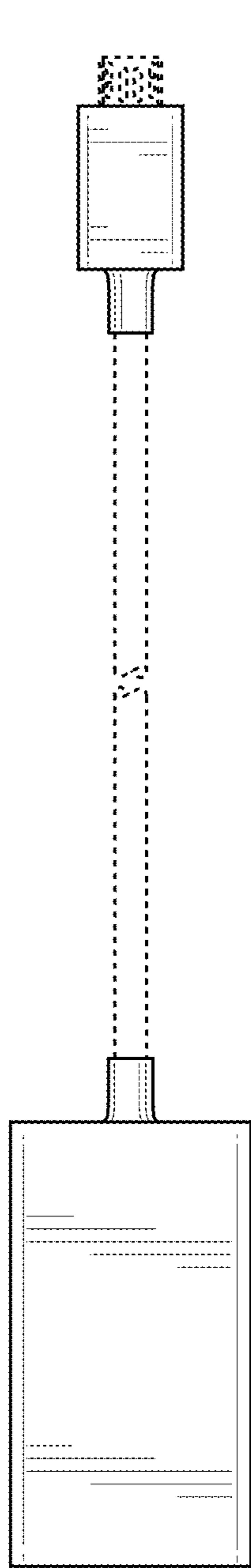


FIG. 11

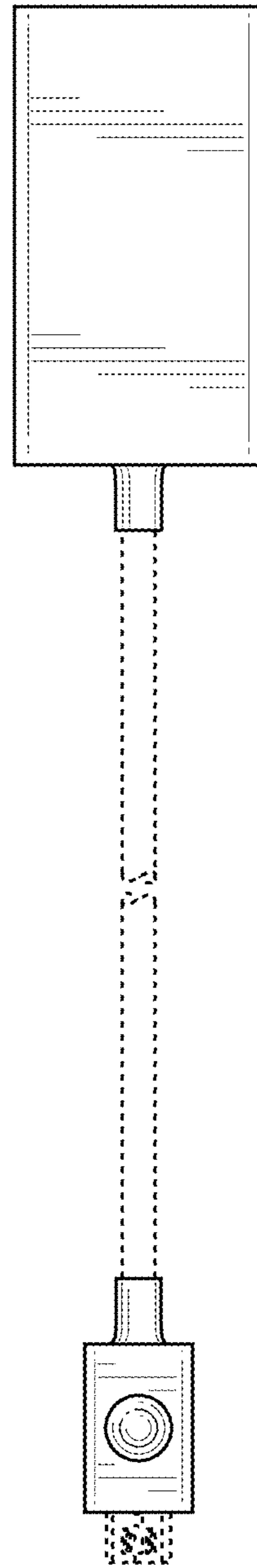


FIG. 12

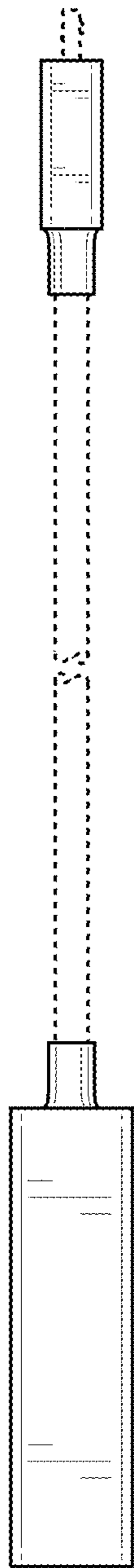


FIG. 13

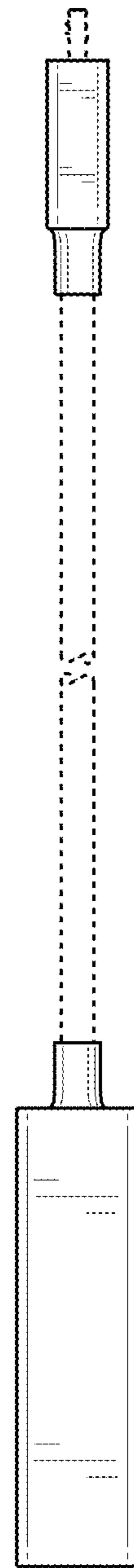


FIG. 14

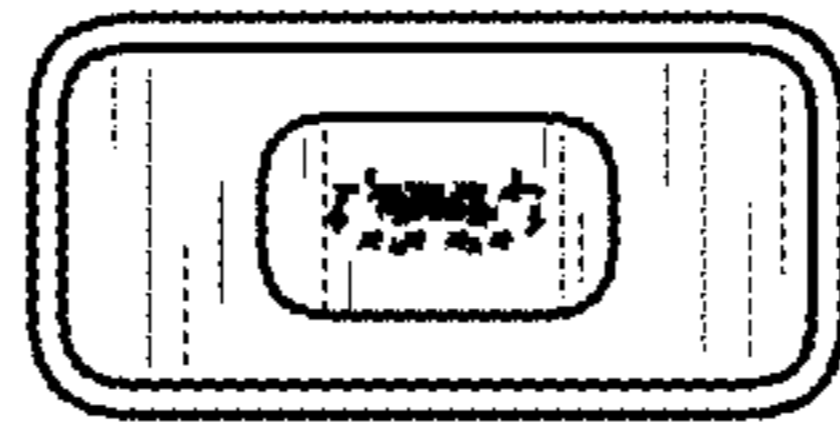


FIG. 15

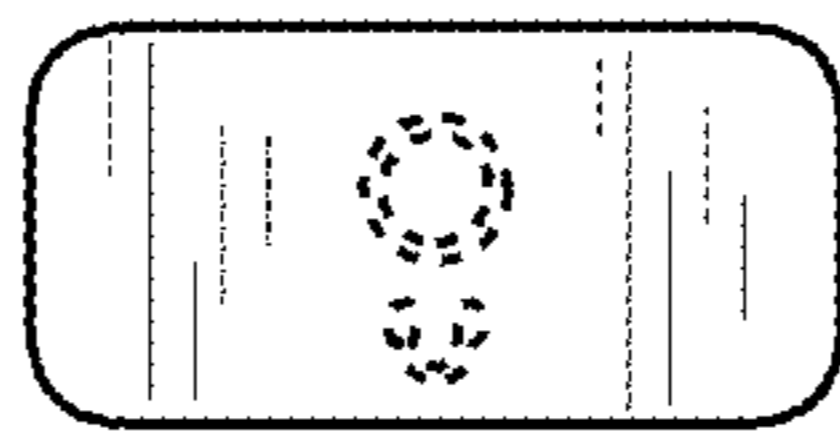


FIG. 16